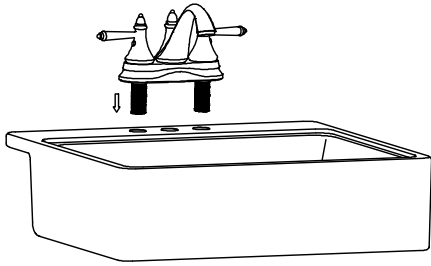
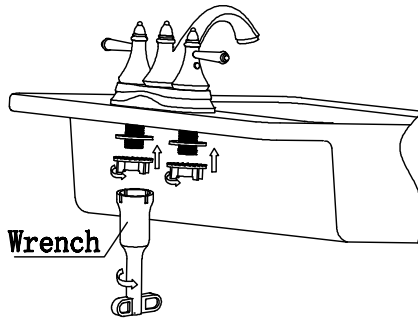


Installation Guide

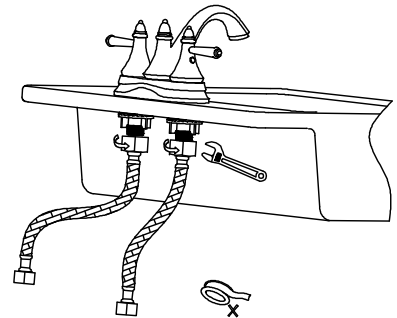
1. Insert the faucet.



2. Tighten the mounting nuts.

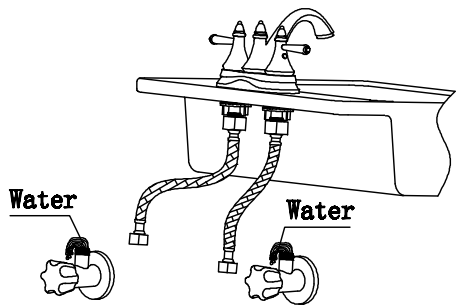


3. Connect and tighten the supply hoses.



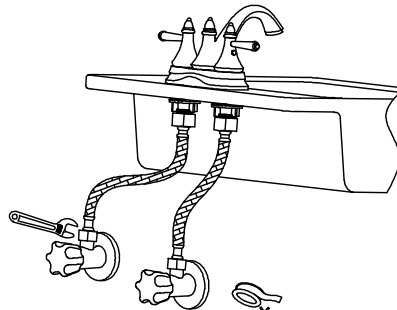
No tape needed for installation

4. Angle valve blowdown.



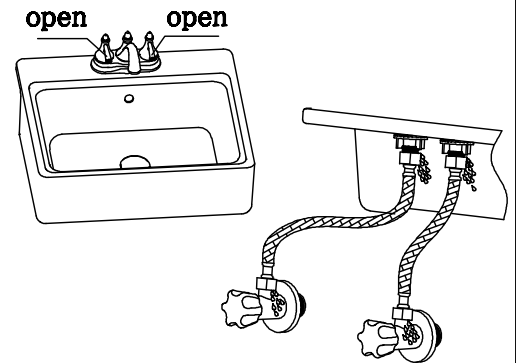
Before connecting the hose to the angle valve, please open the angle valve to drain the sewage first.

5. Connecting angle valve.



No tape needed for installation

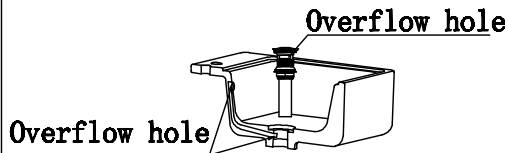
6. Turn on the water supplies. Check all connections for leaks.



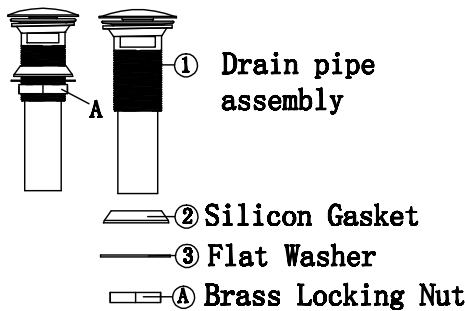
Pop-up Drain with Overflow Installation Guide

NOTES:

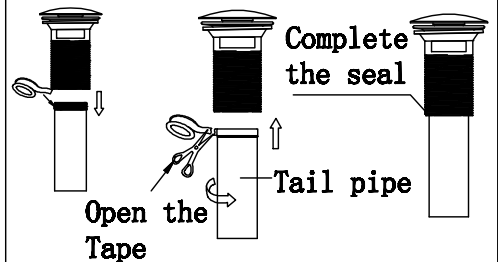
1. Fits for sink WITH overflow hole
2. Clean the sink hole, make sure to remove debris.
3. Please avoid using plumber's putty. The seal on top is leak-free. Plumber's putty might cause damage. Silicone and plumbing tape can be used for sealing requirement.



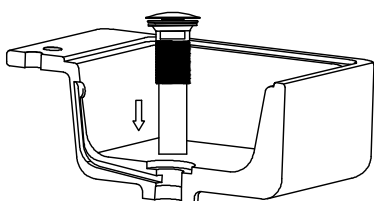
1. Unscrew pop up drain A to the seal
Remove the lower part 1/2/3/A.



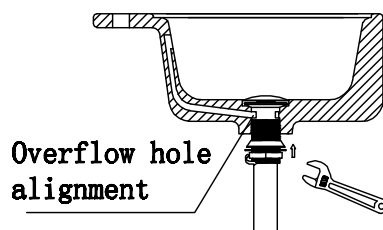
2. Screw off the tail pipe, wrap the sealing belt, and then assemble and tighten it



3. Insert the sealed drain pipe assembly into the water tank hole.



4. Install ② / ③ in turn and then tighten ④ (Brass Locking Nut)



5. Connect the rear end of the drain to the Drain Pipe.

