

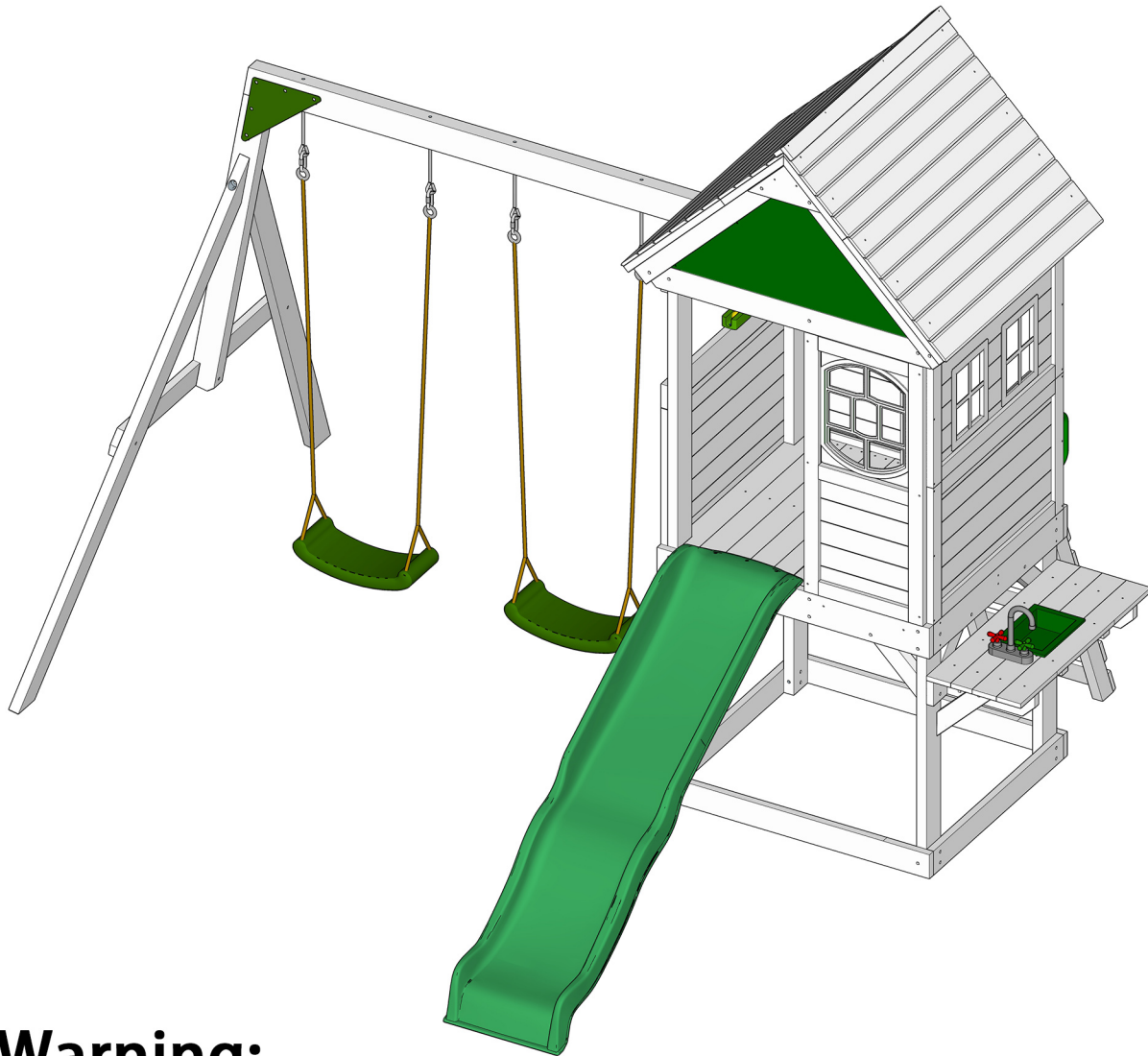
Wooden Play Set

Owner' s Manual & Assembly Instruction

Model No.: PL-198

THIS PRODUCT IS INTENDED FOR USE BY CHILDREN FROM AGE 3 TO 10

CAPACITY: 5 USERS MAXIMUM WEIGHT LIMIT:300LB PER CHILD



Warning:

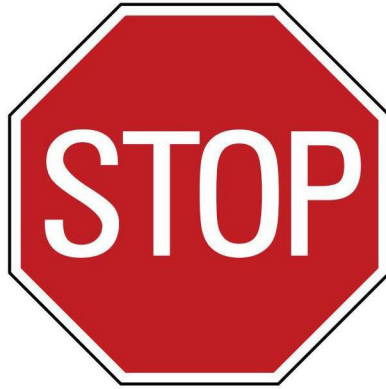
THIS INSTRUCTION MUST BE KEPT.
RESIDENTIAL HOME USE ONLY. OUTDOOR USE ONLY.
THIS UNIT IS NOT INTEDNDENED FOR PUBLIC USE.
DO NOT INSTALL OVER CONCRETE, ASPHALT OR ANY OTHER HARD SURFACE.
THE PRODUCT MUST BE ANCHORED.

Email: service@dolphin-playground.com

Web: www.dolphin-playground.com

No.: 198090

PLEASE DO NOT RETURN TO STORE



**Please do not return this product to the retailer!!
We are able to assist you in ANY way**

If you find that you have any trouble with assembly or missing or damaged parts please contact the seller.

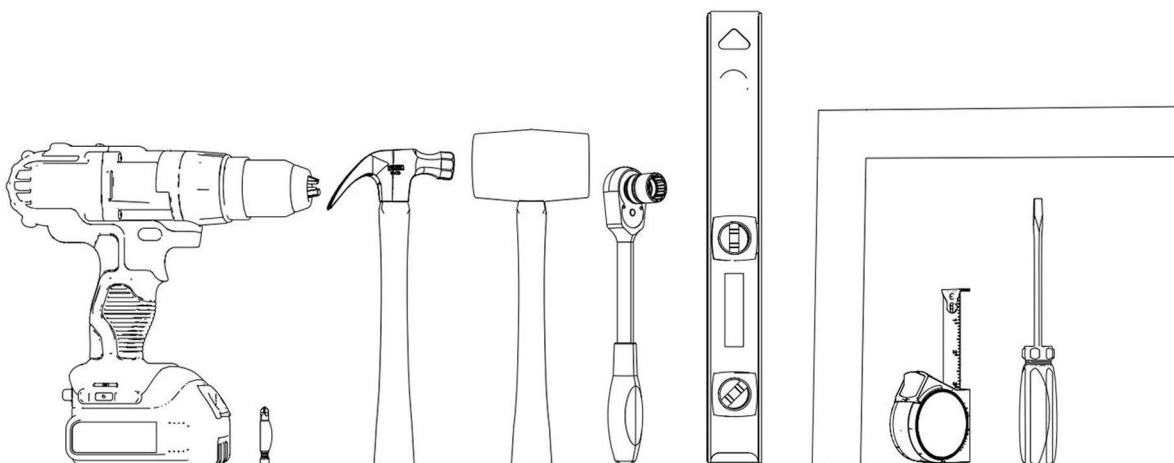
WARNING!

- DO NOT PLAY THE MONKEY BAR AND SWINGS/TRAPEZE AT THE SAME TIME.
- DO NOT ENTER THE MONKEY BAR WHEN KIDS PLAYING THE FLEXIBLE SWINGS AND TRAPEZE BAR.
- THE FLEXIBLE SWINGS AND TRAPEZE BAR HAVE TO BE REMOVED BEFORE CHILDREN USE THE MONKEY BARS.

TOOLS

TOOLS YOU WILL NEED (NOT INCLUDED)

To complete this procedure, you will need a Power Drill, a Phillips Head Bit, a Hammer, a Rubber Mallet, a Metric Socket Wrench Set, a Level, a Square, a Tape Measure and a Ladder (not pictured). Optionally, you may need a Flathead Screwdriver.



IMPORTANT SAFETY INFORMATION

INSTRUCTION FOR SAFE USE

WARNING:

To reduce the risk of serious injury or death, you **MUST** read and follow these instructions before assembly and use.

- CONTINUOUS ADULT SUPERVISION IS REQUIRED.
- This unit is recommended for use by children 3-10 years of age.
- ONLY FOR DOMESTIC USE.
- RESIDENTIAL HOME USE ONLY. This unit is not intended for public use. This product used for commercial purposes like daycares, schools, churches, nurseries or parks shall void the warranty.
- Children must not use this product prior to complete assembly and inspection by a competent adult. The unit must be fully assembled, properly installed and anchored prior to use.
- DO NOT MODIFY ORIGINAL TOY.

SERIOUS HEAD INJURY HAZARD:

- Do not install home playground equipment over concrete, asphalt, packed earth, grass, carpet, or any other hard surface. A fall onto a hard surface can result in serious injury or accident to the equipment user.
- Install and maintain shock absorbing material under and around this unit as recommended in this manual.

COLLISION HAZARD:

- Place this unit on level ground at least 6ft from any obstruction such as garage or house, fences, poles, trees, sidewalks, walls, landscape timbers, rocks, pavement, planters, garden borders, overhanging branches, laundry lines, and electrical wires.

CHOKING HAZARD/SHARP EDGES & POINTS:

- ADULT ASSEMBLY REQUIRED. This product contains small parts and parts with sharp edges and points. Keep parts away from children until fully assembled.

STRANGULATION HAZARD:

- NEVER allow children to play with ropes, clotheslines, pet leashes, cables, chains, cord-like items, or items with a cord or strap when playing on this unit. DO NOT attach these items or similar items to this unit.
- NEVER allow children to wear loose-fitting clothing, such as, but not limited to: ponchos, hoods, scarves, capes, necklaces, items with draw-strings, cords or ties when playing on this unit.
- Open-toe/open-heel footwear is not permitted. Children should wear well-fitting clothing and closed-toe shoes.
- NEVER allow children to wear bike or sports helmets when playing on this unit. Instruct them to remove these items before playing on this unit.

TIP OVER HAZARD:

- Choose a level surface for this equipment. This can reduce the likelihood of the unit tipping over and loose-fill material from washing away during heavy rains.
- DO NOT allow children to play on this unit until assembly is completed and the unit is properly anchored.

WARNING LABEL:

- Owners are responsible for maintaining legibility of the warning labels. Please remove the protective film on the signage before use.

WARNING:

User safety is our top concern. Read and understand the following statements and warnings to reduce the likelihood of serious or fatal injury. Review this information with your child and any other users.

- ON-SITE, CONTINUOUS ADULT SUPERVISION IS REQUIRED FOR CHILDREN OF ALL AGES. Most serious injuries and accidents on playground equipment happen when children are playing unsupervised. This product meets all applicable safety standards. Complying with all warnings and important information in this manual will reduce the risk of serious or fatal injury to children playing on this unit. Review all warnings and play information regularly with any child using this unit. Ensure children fully understand and follow these instructions.
- This unit is designed for a specific number of users whose combined weight should not exceed the capacity limitations of 300lb pr child with a maximum of 5 children.
- DO NOT walk close to, in front of, behind, or between moving swings or other moving equipment.
- DO NOT stand on swings. Only sitting is permitted.
- DO NOT twist the chains and ropes of the swings or loop them over the top support bar, as this may reduce the strength of the chain or rope.
- DO NOT get off swings or other playground equipment in motion.
- DO NOT push empty swing seats to prevent them from swinging back and causing possible injury.
- Children should sit with full weight in the center of the swing to prevent erratic swing motions and falling off the swings.
- DO NOT allow children to use the equipment in a manner other than intended.
- DO NOT slide head first. Always go down the slide feet first.
- Look before sliding to ensure no one is at the bottom of the slide.
- Never run up a slide, as this increases the change of falling.
- DO NOT climb or use the unit when it is wet. Wipe dry before use.
- DO NOT jump from the deck or any part of the unit. Always use ladders and ramps. Standing on or jumping from elevated surfaces can be dangerous.
- DO NOT crawl or climb on the roof.
- Verify that any suspended climbing rope, chain, or cable is secured at both ends and that it cannot be looped back on itself and create an entanglement hazard.
- MINIMUM CLEARANCE BETWEEN SWING AND GROUND IS 8IN.
- DO NOT attach items to the unit that are not specifically designed for use with the unit, such as, but no limited to: jump ropes, clotheslines, pet leashes, cables and chains, as they may cause a strangulation hazard.
- Never add extra length to chain or rope. The chains or ropes provided are the maximum length designed for the swing elements.
- DO NOT wrap legs around the swing chains.
- DO NOT slide down the swing chain.
- On hot days, check the slide and other plastic components to ensure they are not too hot for use. Cool the hot slide and any plastic rides with water and wipe dry before use.

IMPORTANT SAFETY INFORMATION

RECOMMENDED SURFACING

⚠ WARNING

To reduce the likelihood of serious head injuries, install shock-absorbing protective surfacing under and around this unit. The protective surfacing should be applied to a depth suitable for the unit height in accordance with ASTM F1292. Follow the guidelines below for each type of surfacing:

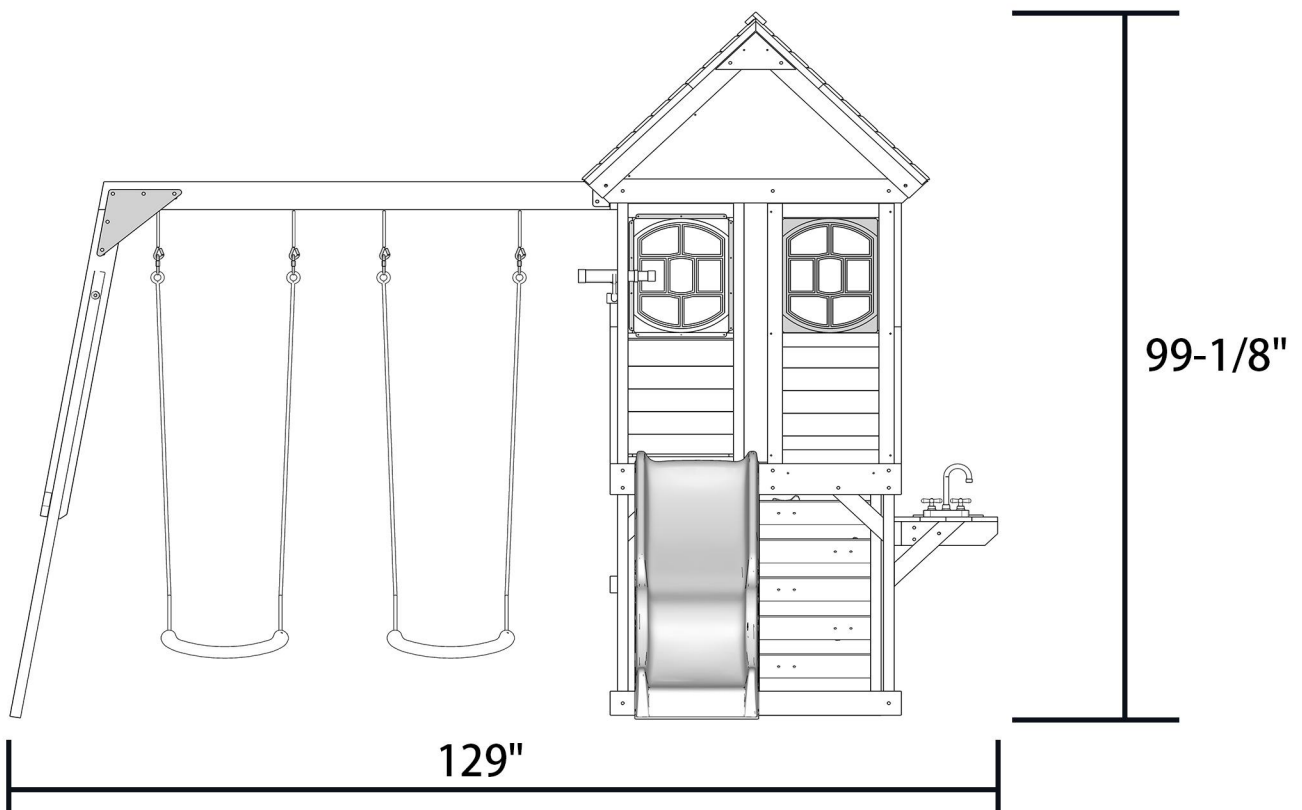
NOTE:

- DO NOT install home playground equipment over concrete, asphalt or any other hard surface. A fall onto a hard surface can result in serious injury to the user. Grass and dirt are not considered protective surfacing because wear and environmental factors can reduce their shock absorbing effectiveness. Carpeting and thin mats are generally not adequate protective surfacing.
- Ground level equipment such as a sandbox, activity wall, playhouse or other equipment that has no elevated play surface does not need any protective surfacing.
- DO NOT install loose-fill surfacing over hard surfaces like concrete or asphalt.
- Shredded bark mulch, wood chips, fine sand and fine gravel are added as shock-absorbing materials after assembly. If used properly, these materials can absorb some of the impact of a child's fall.
- All surface material should extend a minimum of 6ft. in all directions around the play area.
- DO NOT apply surfacing materials until the unit is completely assembled and anchored.

UNIT POSITIONING

- PLEASE REFER TO CRITICAL FALL HEIGHT INFORMATION.
- This unit should be installed on a level surface by an ADULT with an ADULT ASSISTANT. Place the unit on a flat area to minimize ground preparation.
- Choose a level location for this unit to reduce the likelihood of the play set tipping over and loose-fill surfacing material washing away during heavy rains.
- Place this unit no less than 6 feet from any structure or obstruction, such as a fence, garage, house, overhanging branches, laundry lines, or electrical wires.
- Provide enough room so that children may play on this unit safely. For example, for structures with multiple play activities, a slide should not be placed in front of a swing.
- Place this unit where adults are easily able to watch children at play.
- Create a play area free of obstacles that could cause injuries – such as low-hanging tree branches, overhead wires, tree stumps or roots, large rocks, bricks and concrete.
- DO NOT build this unit on top of surfacing materials.
- Locate bare metal platforms and slides out of direct sunlight to reduce the likelihood of serious burns.
TIP: A slide that faces north will receive the least direct sunlight.
- Separate active and quiet activities from each other. For example, place sandboxes away from swings, or use a separation guardrail or barrier.
- For to-and-fro swings, extent protective surfacing in front of and behind the swing to a distance equal to twice the height of the top of the bar from which the swing is suspended.

VERTICAL HEIGHT



IMPORTANT SAFETY INFORMATION

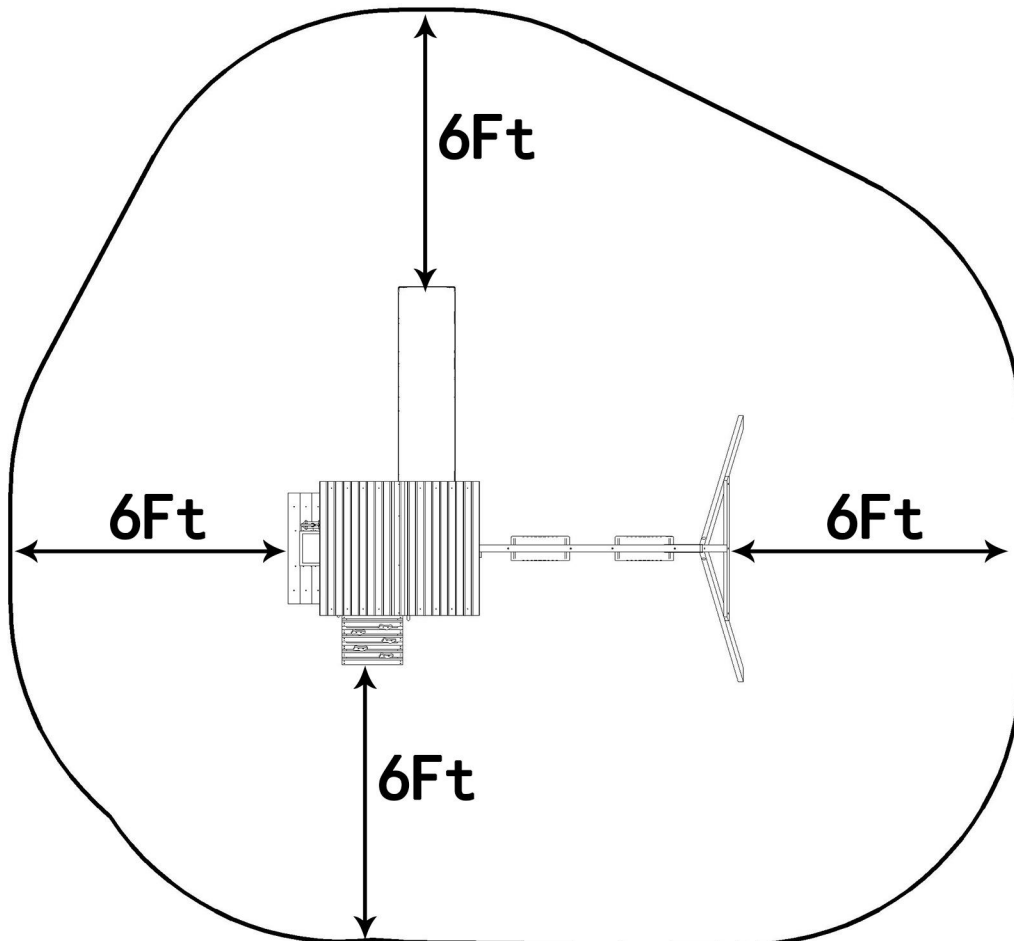
CRITICAL FALL HEIGHT

Maximum critical fall height is 6 feet. The obstacle-free safety zone which requires safety surfacing is a perimeter that extend 6 feet out from the unit and at least 12 feet in front and back of to-and-fro swings.

Materials	Uncompressed Depth			Compressed Depth
	6" (152mm)	9" (228mm)	12" (304mm)	To 9" (228mm)
Wood Chips	7' (2.13m)	10' (3.05m)	11' (3.35m)	10' (3.05m)
Double-Shredded Bark Mulch	6' (2m)	10' (3.05m)	11' (3.35m)	7' (2.13m)
Engineered Wood Fibers	6' (2m)	7' (2.13m)	>12' (3.66m)	6' (2m)
Fine Sand	5' (1.52m)	5' (1.52m)	9' (2.74m)	5' (1.52m)
Coarse Sand	5' (1.52m)	5' (1.52m)	6' (2m)	4' (1.22m)
Fine Gravel	5' (1.52m)	5' (1.52m)	10' (3.05)	6' (2m)
Medium Gravel	5' (1.52m)	5' (1.52m)	6' (2m)	5' (1.52m)
Shredded Tires*	10-12' (3.0-3.6m)	N/A	N/A	N/A

This data is from tests conducted by independent testing laboratories on a 6-inch depth of uncompressed shredded tire samples produced by four manufacturers. The tests reported critical heights, which varied from 10 feet to greater than 12 feet. It is recommended that persons seeking to install shredded tires as a protective surface request test data from the supplier showing the critical height of the material when it was tested in accordance with ASTM F1292.

SAFETY SURFACING REQUIREMENTS



INFORMATION ON PLAYGROUND SURFACING MATERIALS

The following information is from the United States Consumer Product Safety Commercial Information Sheet for playground surfacing materials. Additional Information can be found here:
<https://www.cpsc.gov/s3fs-public/324.pdf>

SECTION 4 OF THE CONSUMER PRODUCT SAFETY COMMISSION'S OUTDOOR HOME PLAYGROUND SAFETY HANDBOOK⁷

Select Protective Surfacing

One of the most important things you can do to reduce the likelihood of serious head injuries is to install shock-absorbing protective surfacing under and around your play equipment. The protective surfacing should be applied to a depth that is suitable for the equipment height in accordance with ASTM Specification F1292. There are different types of surfacing to choose from; whichever product you select, follow these guidelines:

NOTE: DO NOT install home playground equipment over concrete, asphalt or any other hard surface. A fall onto a hard surface can result in serious injury to the equipment user. Grass and dirt are not considered protective surfacing because wear and environmental factors can reduce their shock absorbing effectiveness. Carpeting and thin mats are generally not adequate protective surfacing. Ground level equipment such as a sandbox, activity wall, playhouse or other equipment that has no elevated play surface does not need any protective surfacing.

Loose-Fill Materials:

- Maintain a minimum depth of 9in (229mm) of loose-fill materials such as wood mulch/chips, engineered wood fiber (EWF), or shredded/recycled rubber mulch for equipment up to 96in (2438mm) high; and 9 in (229mm) of sand or pea gravel for equipment up to 60in (1524mm) high.

NOTE: An initial fill level of 12in (305mm) will compress to about a 9 in (229mm) depth of surfacing over time. The surfacing will also compact, displace, and settle, and should be periodically refilled to maintain at least a 9 in (229mm) depth.

- Use a minimum of 6 in (152mm) of protective surfacing for play equipment less than 48in (1219mm) in height. If maintained properly, this should be adequate. (At depths less than 6in (152mm), the protective material is too easily displaced or compacted.)
- Use containment, such as digging out around the perimeter and/or lining the perimeter with landscape edging. Don't forget to account for water drainage.
- Check and maintain the depth of the loose-fill surfacing material. To maintain the right amount of loose-fill materials, mark the correct level on play equipment support posts. That way you can easily see when to replenish and/or redistribute the surfacing.
- Do not install loose-fill surfacing over hard surfaces such as concrete or asphalt.

Poured-In-Place Surfaces or Pre-Manufactured Rubber Tiles:

You may be interested in using surfacing other than loose-fill materials – like rubber tiles or poured-in-place surfaces.

- Installations of these surfaces generally require a professional and are not “do-it-yourself” projects.
- Review surface specifications before purchasing this type of surfacing. Ask the installer/manufacturer for a report showing that the product has been tested to the following safety standard: ASTM F1292 Standard Specification for Impact Attenuation of Surfacing Materials within the Use Zone of Playground Equipment. This report should show the specific height for which the surface is intended to protect against serious head injury. This height should be equal to or greater than the fall height – vertical distance between a designated play surface (elevated surface for standing, sitting, or climbing) and the protective surfacing below – of your play equipment.
- Check the protective surfacing frequently for wear.

Placement

Proper placement and maintenance of protective surfacing is essential. Be sure to:

- Extend surfacing at least 72in (1829mm) from the equipment in all directions.
- For to-and-fro swings, extend protective surfacing in front of and behind the swing to a distance equal to twice the height of the top bar from which the swing is suspended.
- For tire swings, extend surfacing in a circle whose radius is equal to the height of the suspending chain or rope, plus 6ft in all direction.

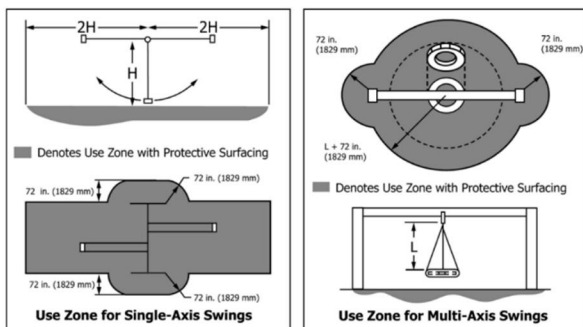


FIG. X2.1 Use Zone for Single- and Multi-Axis Swings

ASTM International takes no position respecting the validity of any patent rights asserted in connection with any item mentioned in this standard. Users of this standard are expressly advised that determination of the validity of any such patent rights, and the risk of infringement of such rights, are entirely their own responsibility.

This standard is subject to revision at any time by the responsible technical committee and must be reviewed every five years and if not revised, either reapproved or withdrawn. Your comments are invited either for revision of this standard or for additional standards and should be addressed to ASTM International Headquarters. Your comments will receive careful consideration at a meeting of the responsible technical committee, which you may attend. If you feel that your comments have not received a fair hearing you should make your views known to the ASTM Committee on Standards, at the address shown below.

This standard is copyrighted by ASTM International, 100 Barr Harbor Drive, PO Box C700, West Conshohocken, PA 19428-2959, United States. Individual reprints (single

or multiple copies) of this standard may be obtained by contacting ASTM at the above address or at 610-832-9585 (phone), 610-832-9555 (fax), or service@astm.org (e-mail); or through the ASTM website (www.astm.org). Permission rights to photocopy the standard may also be secured from the Copyright Clearance Center, 222 Rosewood Drive, Danvers, MA 01923, Tel: (978) 646-2600; <http://www.copyright.com/>

IMPORTANT SAFETY INFORMATION

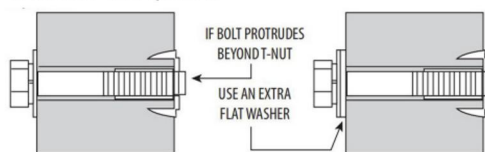
ONLY REPLACED DAMAGED OR DEFECTIVE PRODUCT PARTS ACCORDING TO THE MANUFACTURER'S INSTRUCTIONS.

If these checks are not carried out, the activity toy could overturn or become hazard.

MAINTENANCE

At the beginning of each play season:

- Tighten all hardware, but do not over-tighten to prevent splintering.
- Lubricate all metallic moving parts per manufacturer's instructions.
- Check that swing hanger bolts are secure and tight. Quick clips should be completely closed and threaded clips screwed are tight. Ropes should be secure at both ends so they cannot loop back and create an entrapment.
- Check all protective covering on bolts, pipes, edges and corners. Replace if they are loose, cracked or missing.
- Check for sharp edges or protruding screw threads. Add washers if required.



- Check ground stakes for looseness, damage or deterioration. Firmly anchor unit to the ground during use. Re-secure or replace if necessary.
- Check all moving parts including swing seats, ropes, cables, and chains for wear, rust or other deterioration. Replace as needed.
- Check metal parts for rust. If found, sand and repaint using a non-lead-based paint which complies with 16 CFR1303.
- Check all wood pieces for deterioration and splinters. Sand down splinters and replace deterioration wood.
- Reinstall any plastic parts, such as swing seats or any other items that were removed for the cold season.
- Rake and check depth of loose-fill protective surfacing materials to prevent compaction and to maintain appropriate depth. Replace as necessary.

At the end of each play season:

*Or when the temperature falls below 32°F

- Remove plastic swing seats and other items as specified by the manufacturer and take indoors. Plastic components may become more brittle in cold conditions.
- Rake and check depth of loose fill protective surfacing materials to prevent compaction and to maintain appropriate depth. Replace as necessary.

Twice a month during play season:

THIRD PARTY ASSEMBLY

Should you elect to use a third-party person or service to assemble this product, the manufacturer assumes no responsibility or liability for any charge incurred for any assembly services. Please see our warranty for more information about damaged and missing part replacement coverage. We will not reimburse the customer for the price of parts purchased.

WOOD WEATHERING:

Although the manufacturer has taken great care in selecting premium lumber, wood is product of nature and is susceptible to weathering. As the climate changes, moisture moves in and out of the wood, causing tension which can result in checking and warping.

- Checking: Surface cracks in the wood along the grain.
- Warping: Distortion from the original plane of the board. This usually happens from wetting and drying of the wood.
- Fading: A natural change in the wood color as it is exposed to sunlight. Wood may turn gray over time.

The factory-applied coating will decrease over time due to water absorption and sunlight. Apply a water repellent or stain on a yearly basis. Most weathering is a normal result of nature and will not affect safe and enjoyable play on this unit. If you have any concerns about weathering, contact consumer service.

- Tighten all hardware, but do not over-tighten to prevent splintering.
- Check all protective covering on bolts, pipes, edges and corners. Replace if they are loose, cracked or missing.
- Check for sharp edges or protruding screw threads. Add washers if required.
- Rake and check depth of loose fill protective surfacing materials to prevent compaction and to maintain appropriate depth. Replace as necessary.

Once a month during play season:

- Check all moving parts including swing seats, ropes, cables, and chains for wear, rust or other deterioration. Replace as needed.
- Lubricate all metallic moving parts per manufacturer's instructions.

Additional Maintenance:

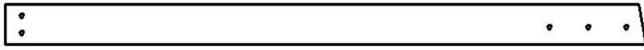
- Check the swing beam and hardware every two weeks due to wood expansion and contraction. It is particularly important that this procedure be followed at the beginning of each season.
- Inspect wood parts monthly. The grain of the wood sometimes will lift the dry season causing splinters to appear. Light sanding may be necessary to maintain a safe play environment. Treat your unit with stain regularly to help prevent severe splitting and other damage.
- A waterborne transparent stain has been applied to your unit. This is done for color only. Once or twice a year, depending on your climate conditions, you must apply some protection (sealant) on your unit. Prior to the application of the sealant, lightly sand any rough spots on your unit. Please note this is a requirement of your warranty.
- Assembling and maintaining the unit on a level surface is very important. As your children play, your unit will slowly dig its way into the soil, and it is very important that it settles evenly. Make sure the unit is level once each year or at the beginning of each play season.
- **Owners must maintain the legibility of the warning labels**
- **Please keep this manual as it contains important information**

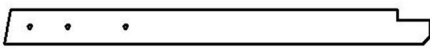


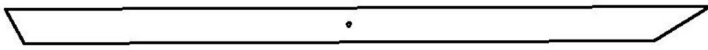
DISPOSAL:

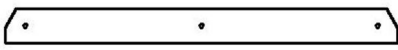
Once you no longer desire to play with or keep the unit, it should be disassembled and disposed of in, such as way that no unreasonable hazards exist at the time the unit is discarded. Follow local waste ordinances

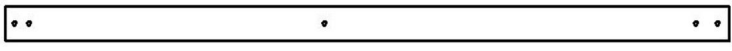
Board List

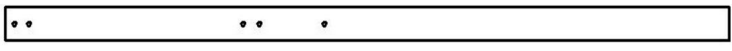
B1=1 

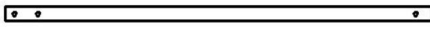
B2=1 

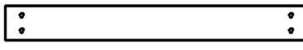
K5=2 

F26=1 

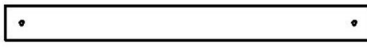
C1=2 

C2=2 

C3=2 

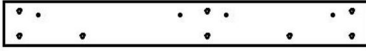
F1=2 

F16=2 

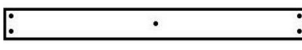
F2=2 

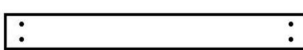
F17=2 

F3=2 

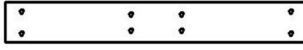
O1=2 

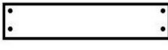
F4=2 

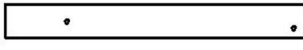
H7=1 

F5=1 

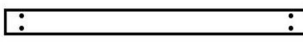
H5=5 

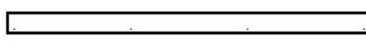
F6=1 

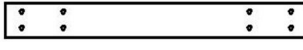
H8=2 

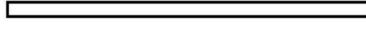
F9=2 

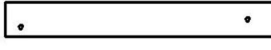
H6=1 

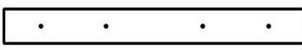
F10=1 

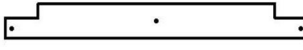
H9=1 

F11=1 

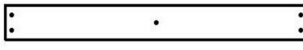
H10=1 

F12=2 

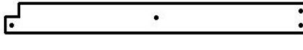
H25=2 

H1=2 

H26=1 

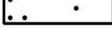
H2=6 

H27=1 

H3=2 

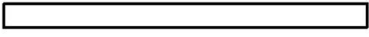
H28=2 

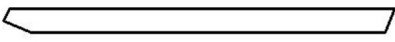
D1=2 

H29=1 


H30=1 

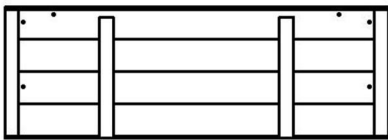
Board List

K1=1 

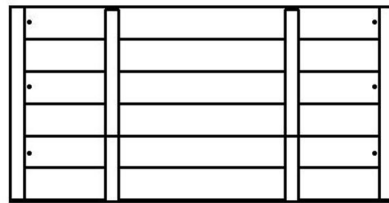
K6=2 

K30=8 

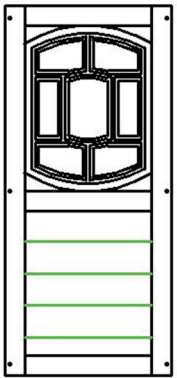
T2=2 



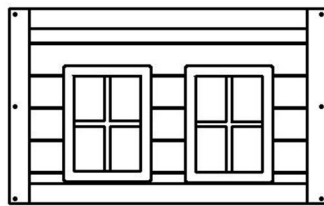
FP1=2



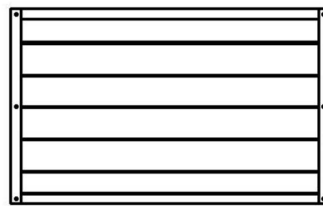
FP2=2



WP1=2

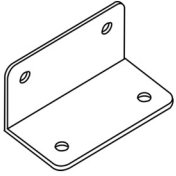


WP2=1

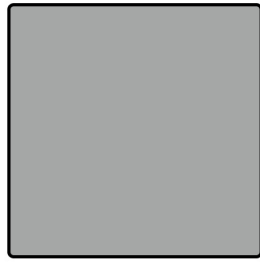


WP3=2

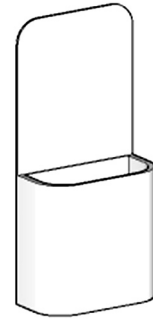
Parts list



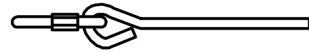
(4) 651015-L



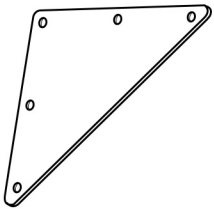
(1)139001:528*528mm



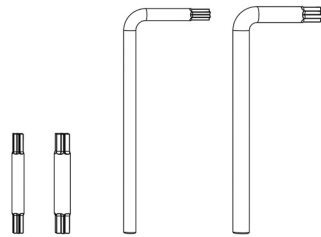
(1) FBH-1



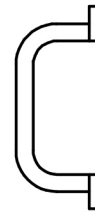
(4) 129006



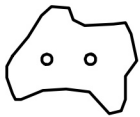
(2) 651007-L



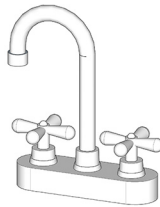
Star Bit (S)
Star Bit (L)
Allen Wrench (S)
Allen Wrench (L)



(2) 198003



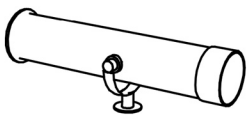
(5) 198004



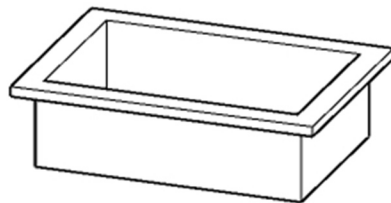
(1) 650066



(2) 651003-L



(1) 650058-L



(1) 139007-L

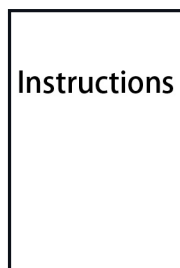
(2) 650060



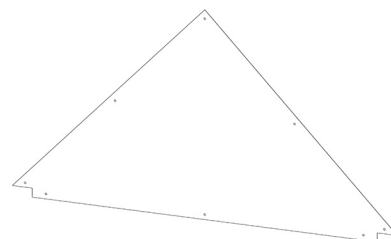
(1) 650081



(6)651081




(1) 198090




(2) 198031


Parts list

W8/15 

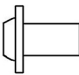
Washer X10

W10/18 

Washer X65

W12/28 


Washer X4

BM615 


B-NUT x10

BM818 

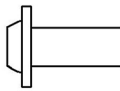
B-NUT x19

N815 

NUT x66

AN8 

A-NUT8 X4

BM825 

B-NUT x3

M625 

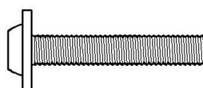
Screw x10

M821 

Bolt x12

S321 

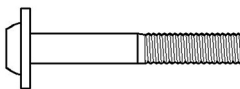
Screw x4

M845 

Bolt x17

S328 

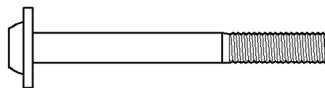
Screw x4

M855 


Bolt x36

SW35 

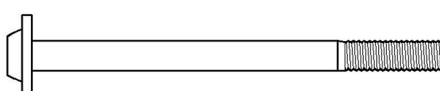
Screw x109

M872 

Bolt x2

SW40 

Screw x48

M8107 

Bolt x17

SW50 

Screw x6

SW10 

Bolt x8

SW60 

Screw x4

SW16 

Bolt x16

M6SW35 

Screw x10

SW28 

Bolt x14

M6SW55 

Screw x8

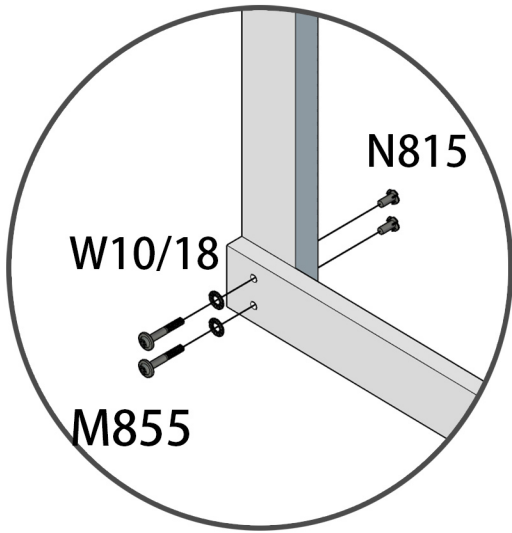
SW45 

Screw x3

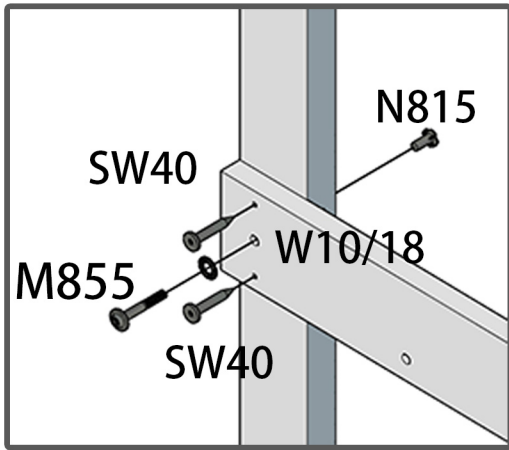
M8SW60 

Screw x2

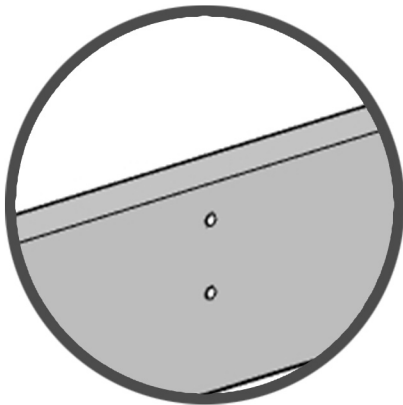
Step 1



X4



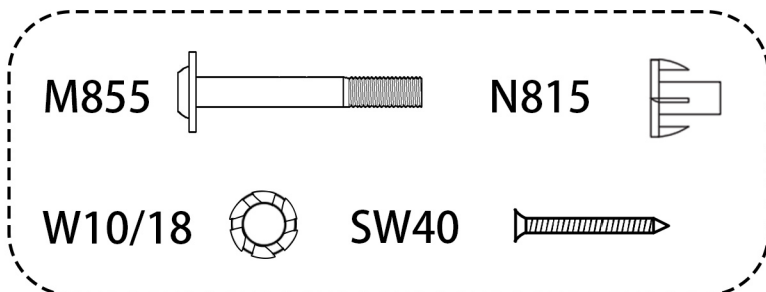
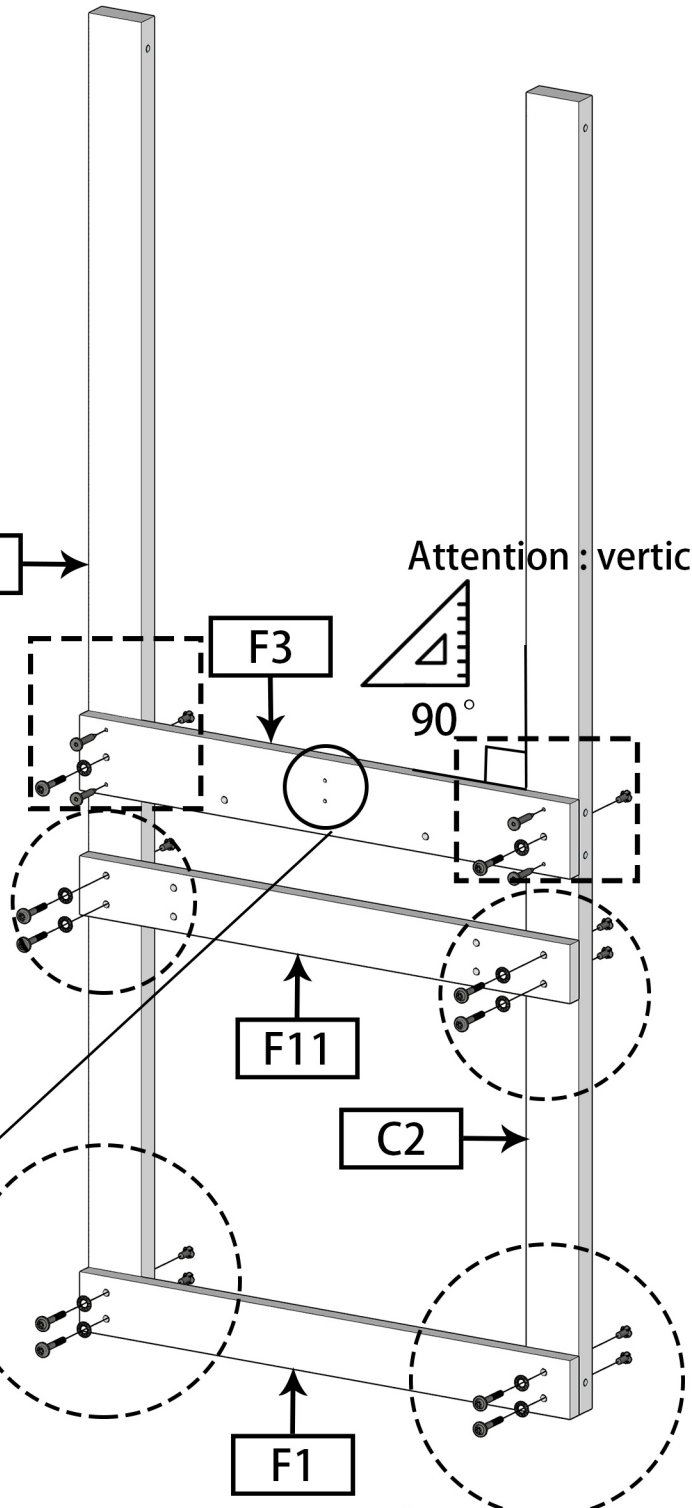
X2



Note the orientatio
of the pilot holes

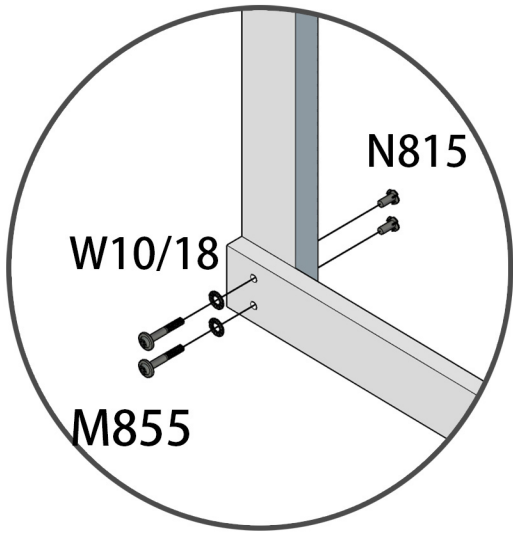
C2

Attention : vertical

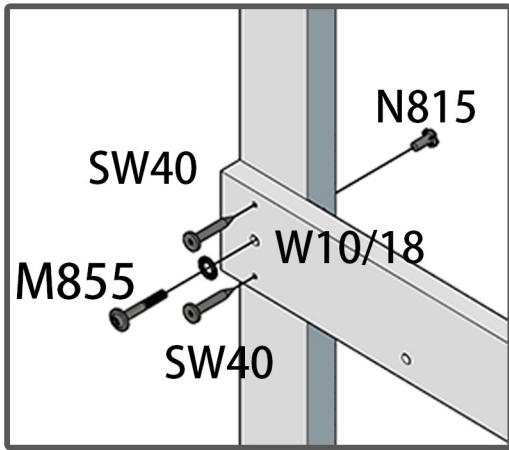


List	
Part NO.	Qty
C2	2
F1	1
F3	1
F11	1
SW40	4
M855	10
W10/18	10
N815	10

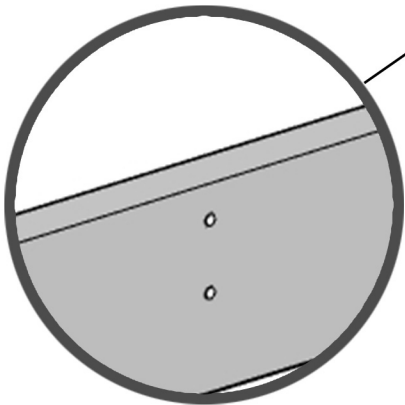
Step2



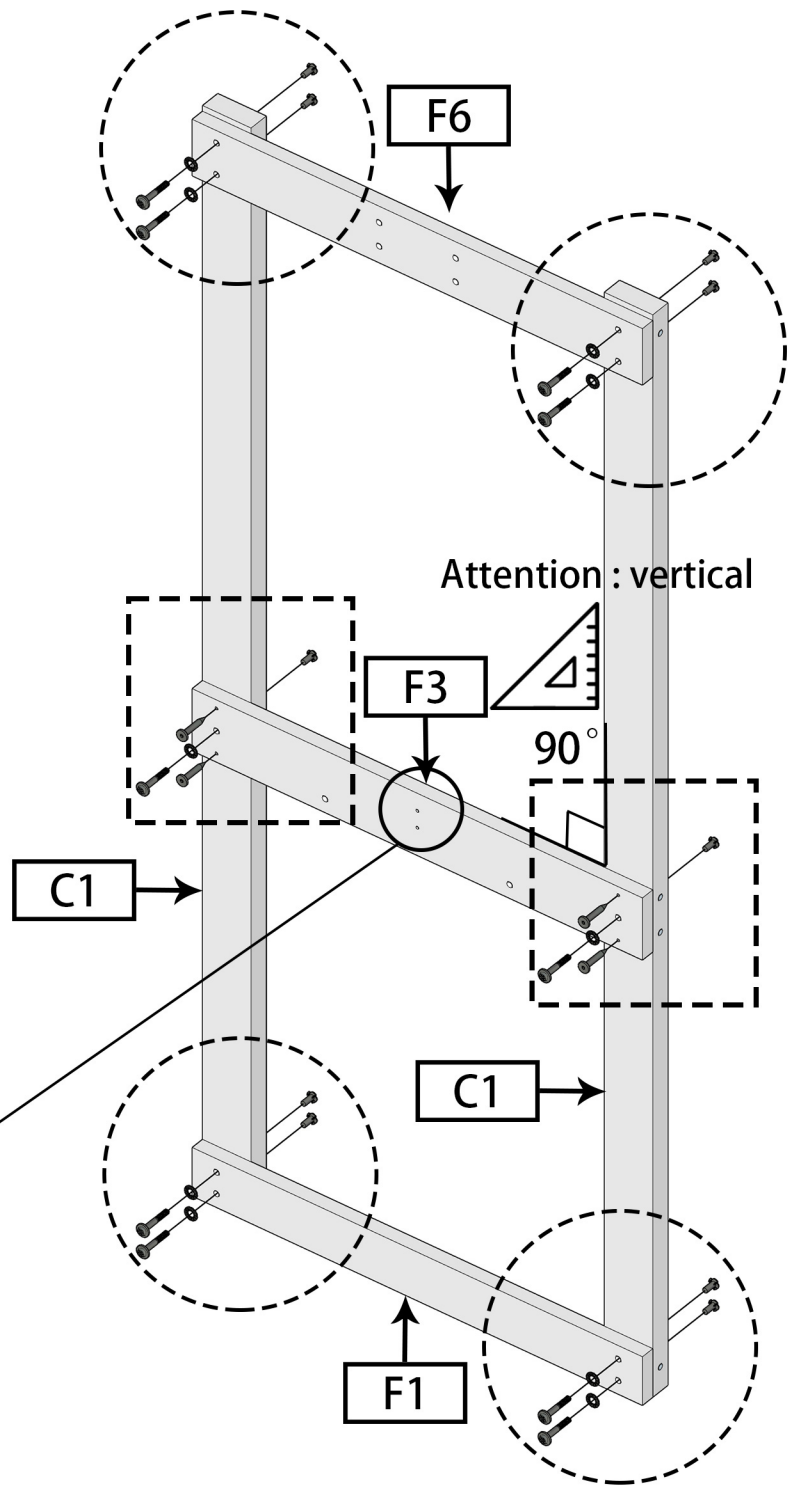
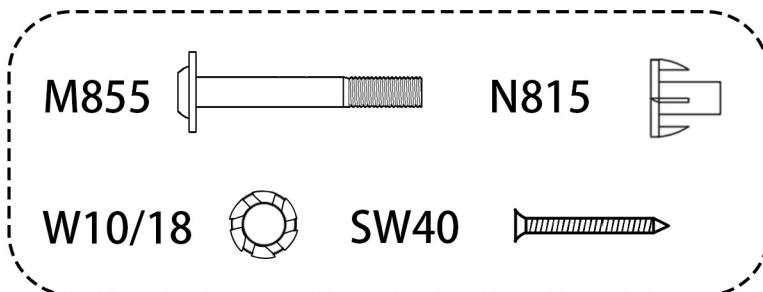
X4



X2

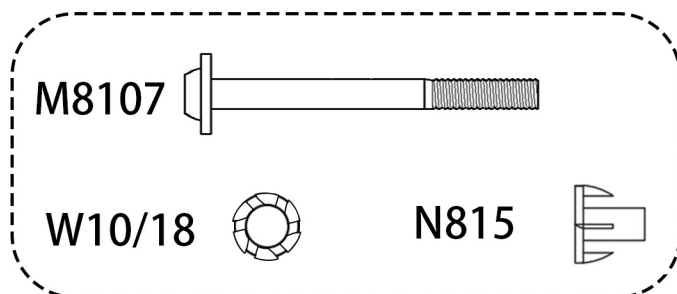
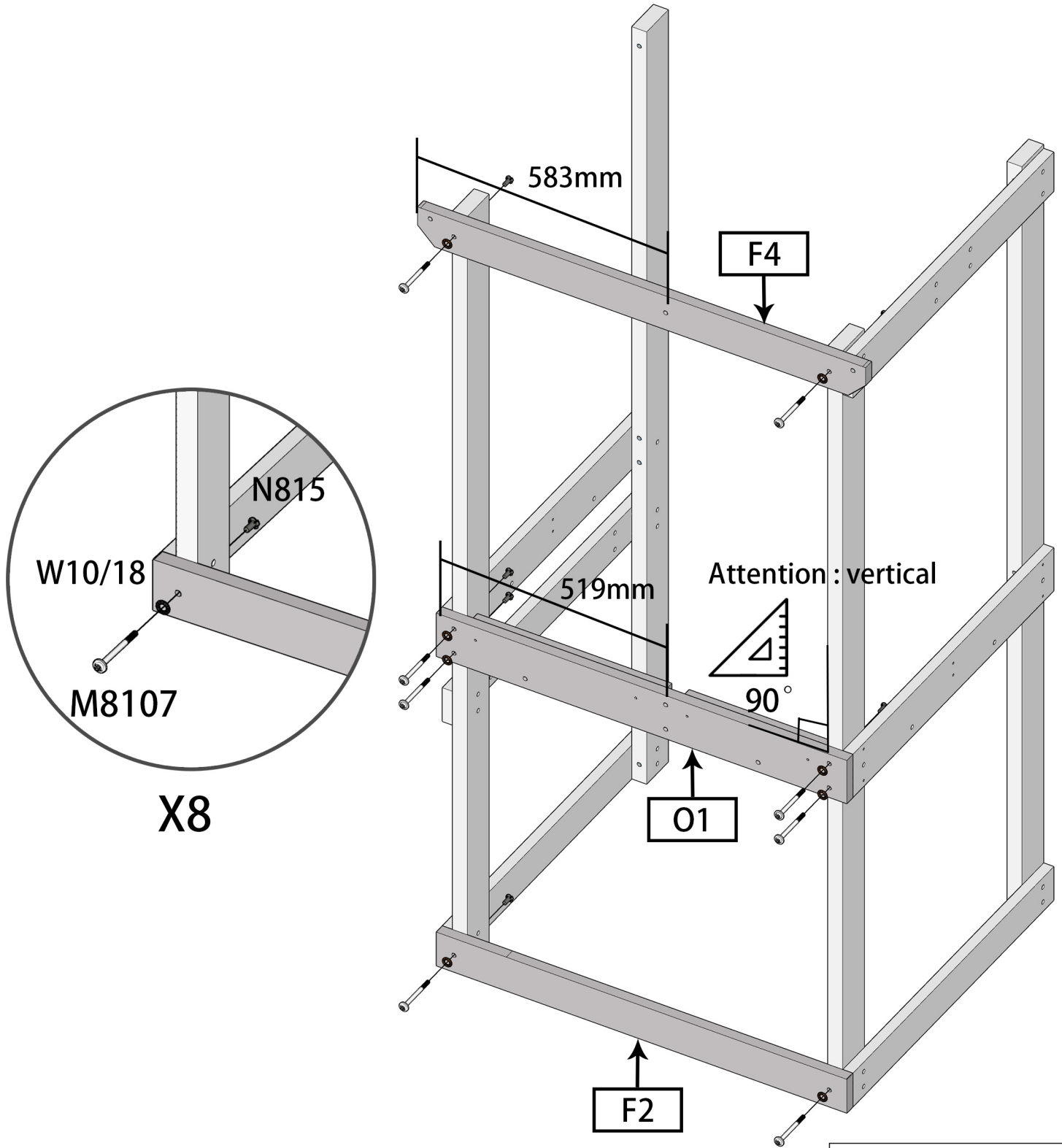


Note the orientatio
of the pilot holes



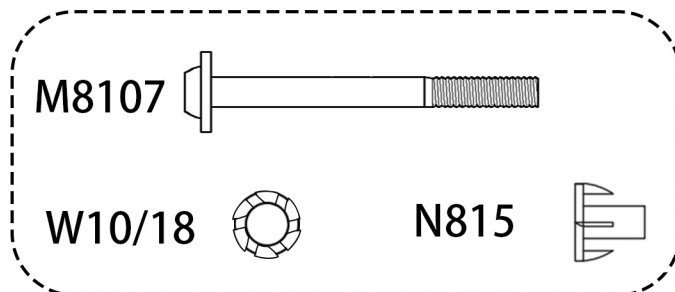
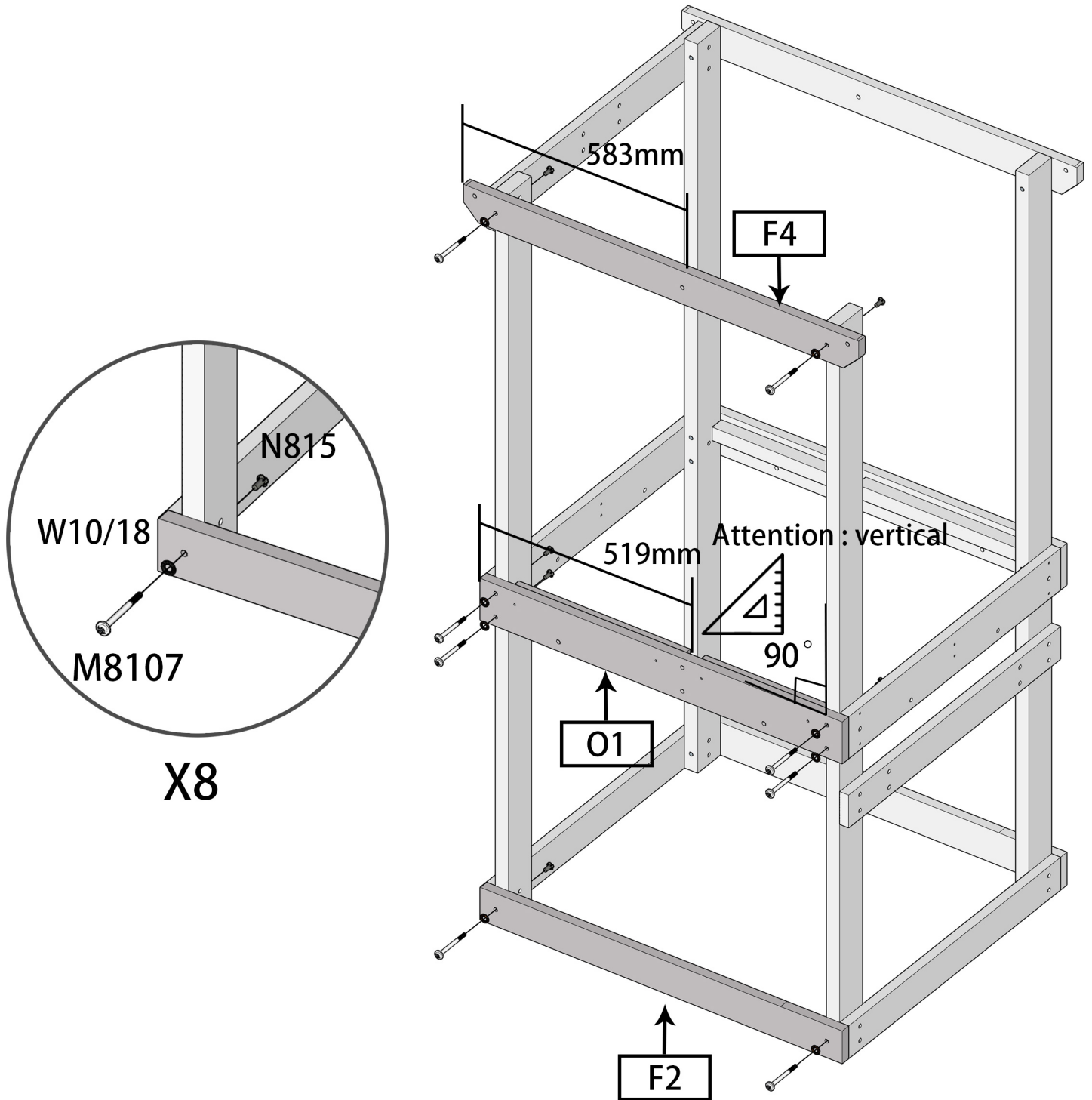
List	
Part NO.	Qty
C1	2
F1	1
F3	1
F6	1
SW40	4
M855	10
W10/18	10
N815	10

Step3



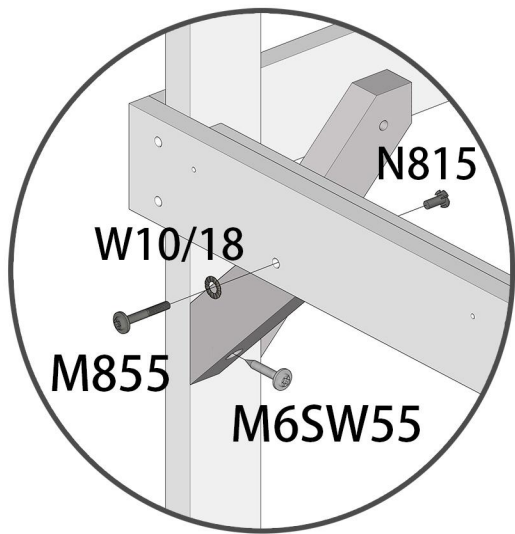
List	
Part NO.	Qty
F2	1
F4	1
O1	1
M8107	8
W10/18	8
N815	8

Step4

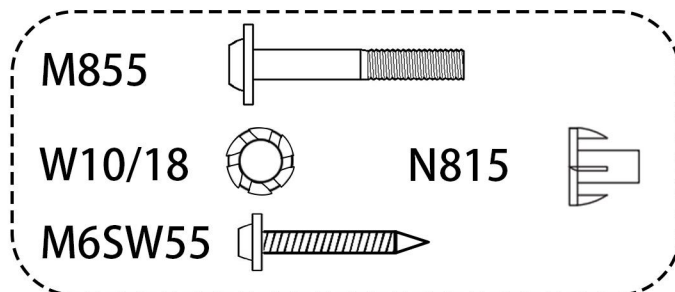
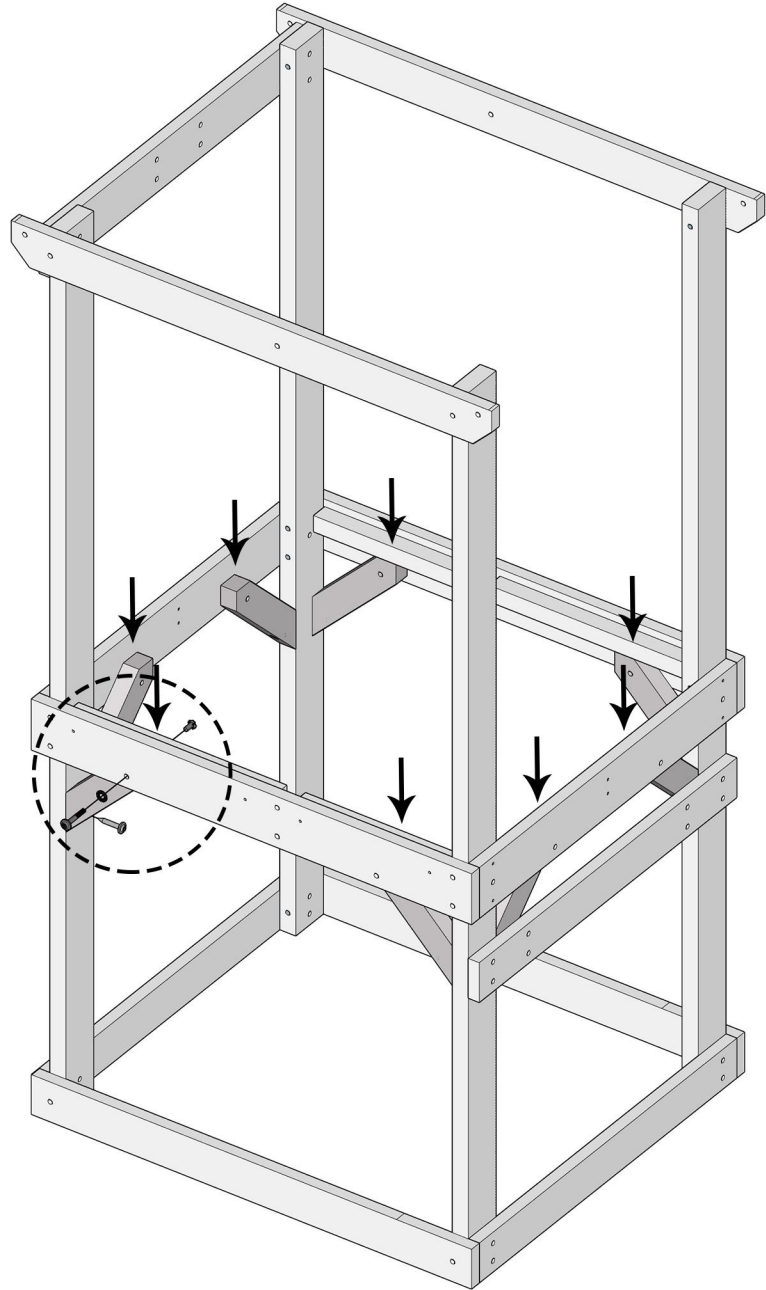


List	
Part NO.	Qty
F2	1
F4	1
O1	1
M8107	8
W10/18	8
N815	8

Step5

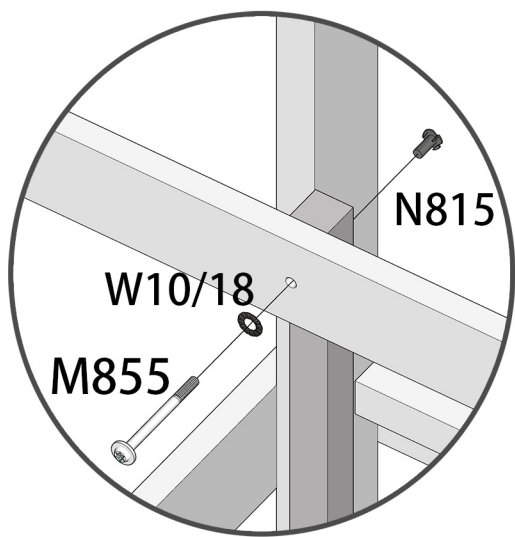


X8

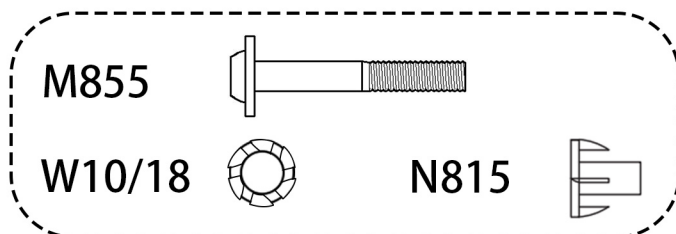
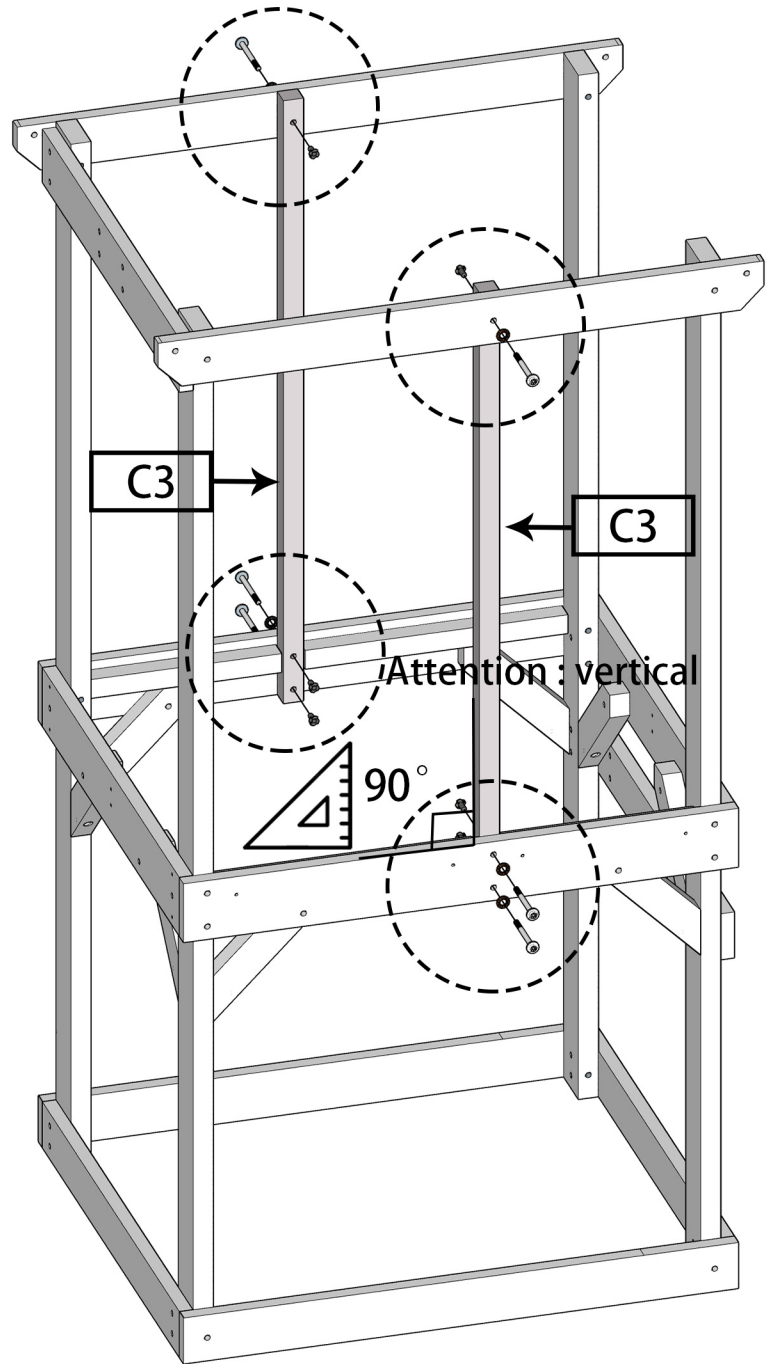


List	
Part NO.	Qty
K30	8
M855	8
W10/18	8
N815	8
M6SW55	8

Step 6

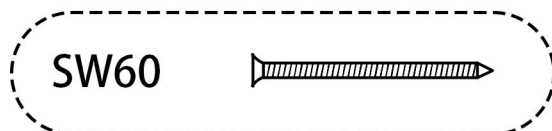
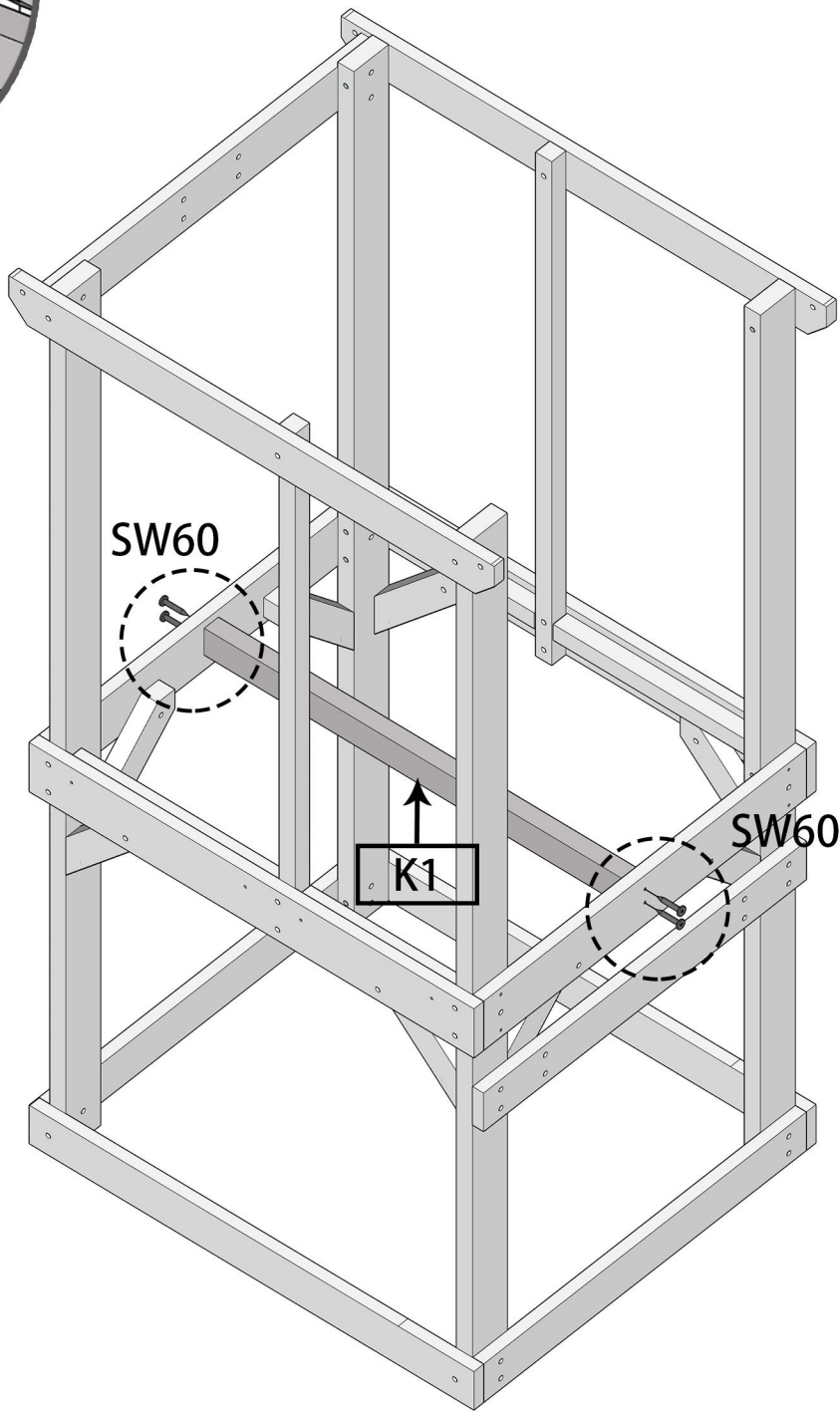
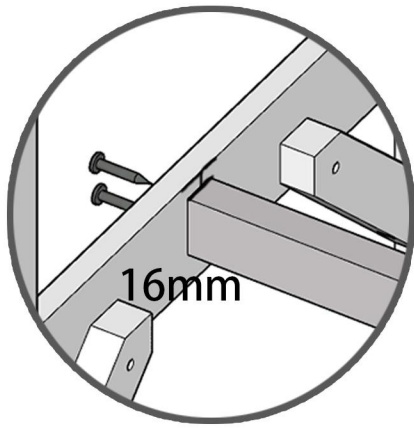


X6



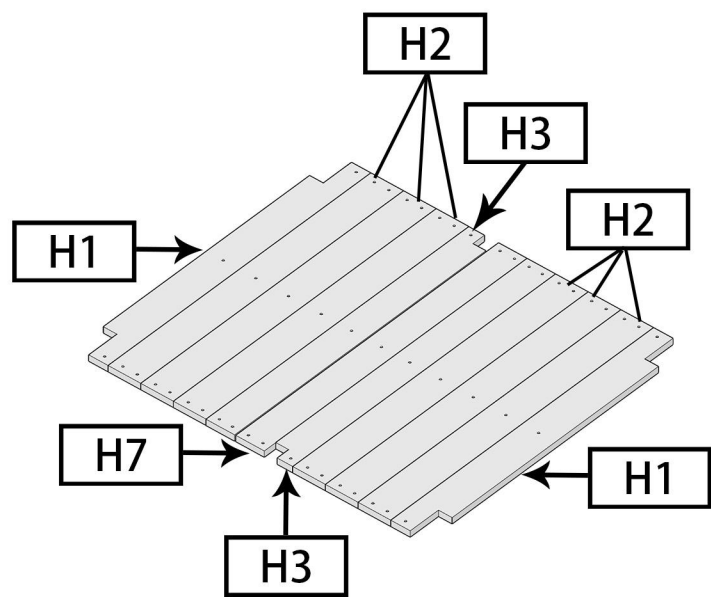
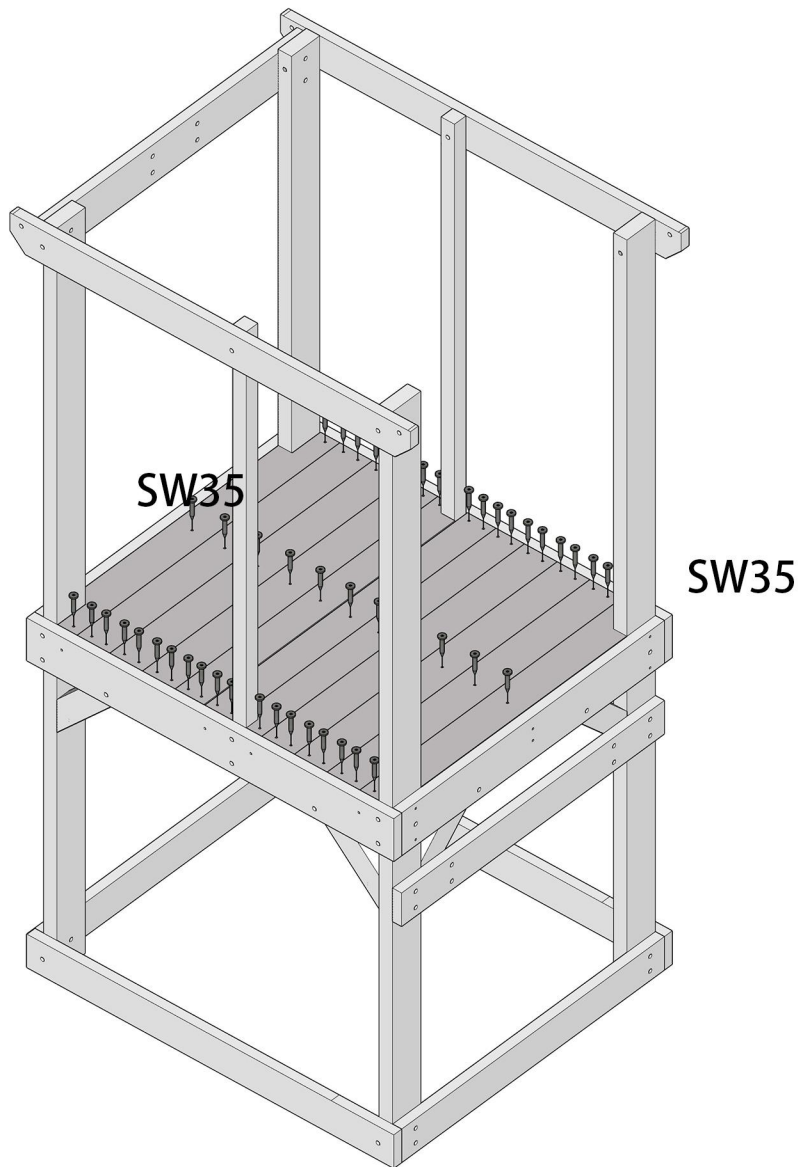
List	
Part NO.	Qty
C3	2
M855	6
W10/18	6
N815	6

Step 7



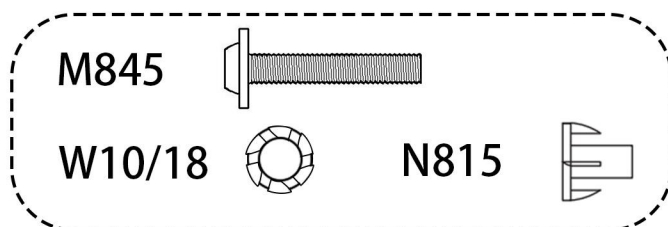
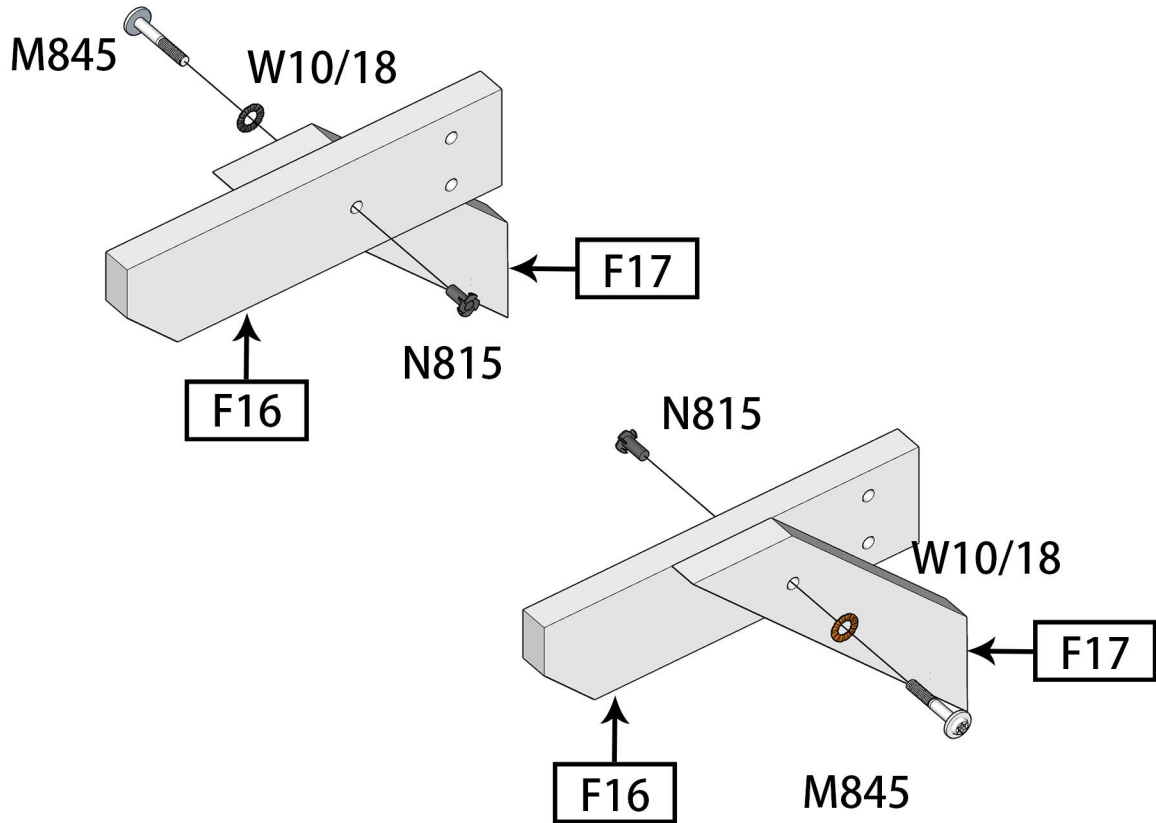
List	
Part NO.	Qty
K1	1
SW60	4

Step 8



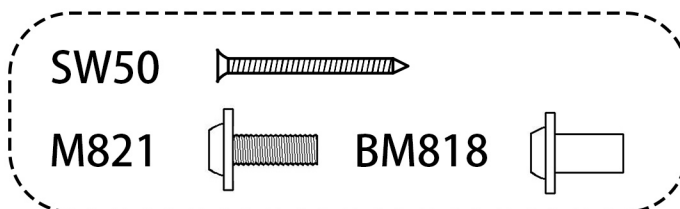
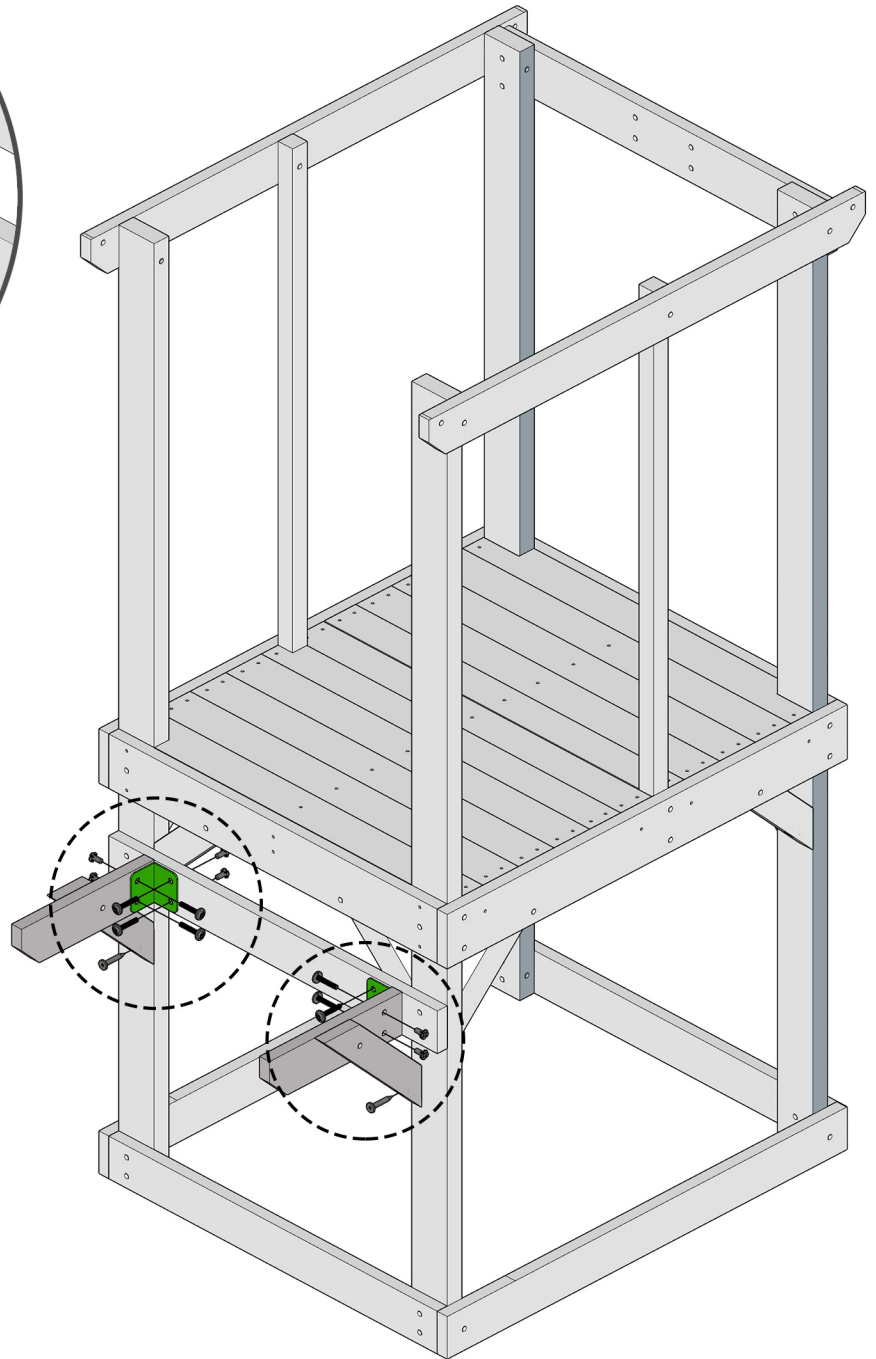
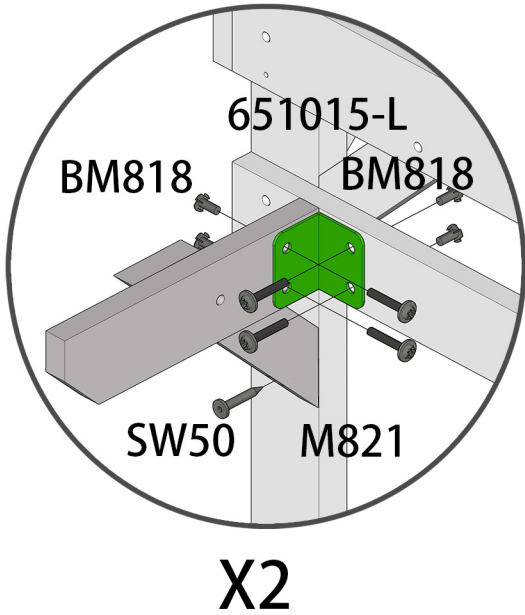
List	
Part NO.	Qty
H1	2
H2	6
H3	2
H7	1
SW35	49

Step9



List	
Part NO.	Qty
F16	2
F17	2
M845	2
W10/18	2
N815	2

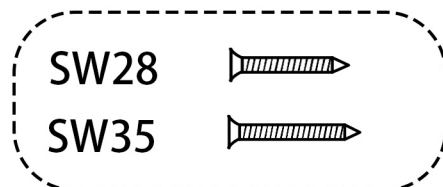
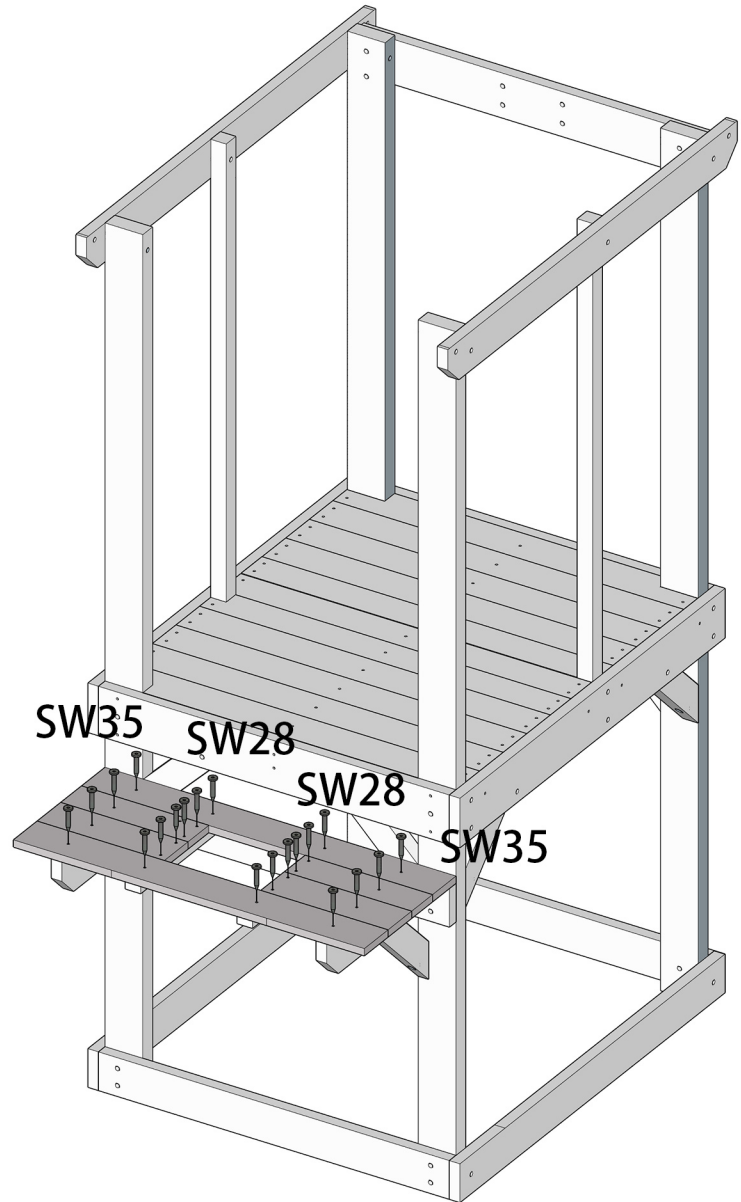
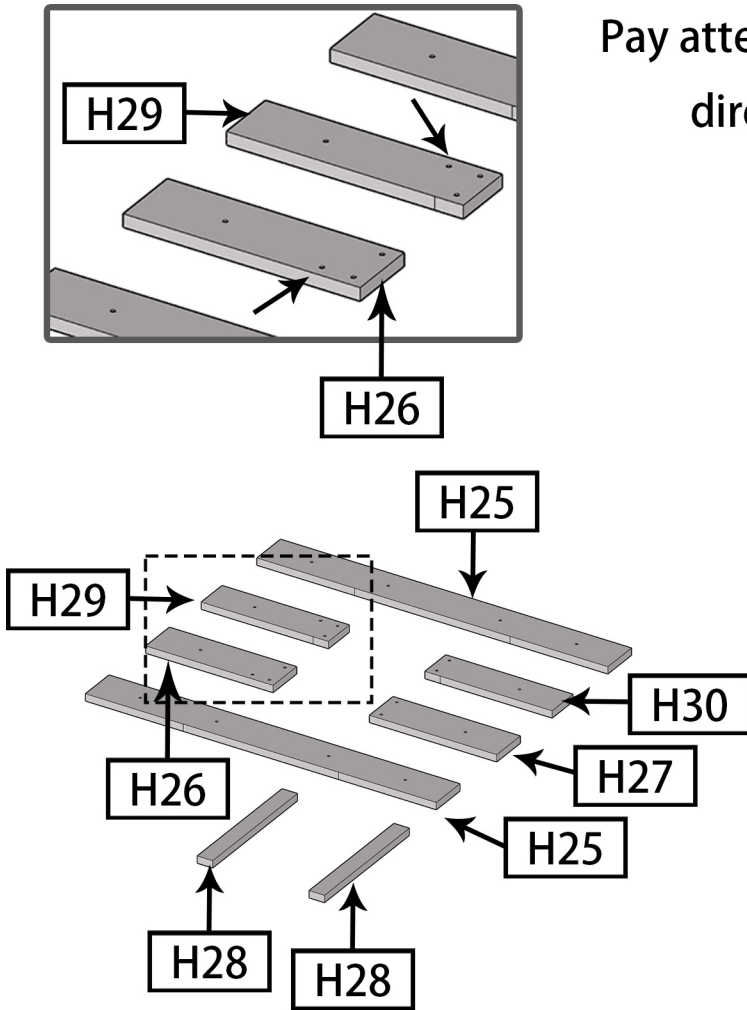
Step 10



List	
Part NO.	Qty
651015-L	2
M821	8
BM818	8
SW50	2

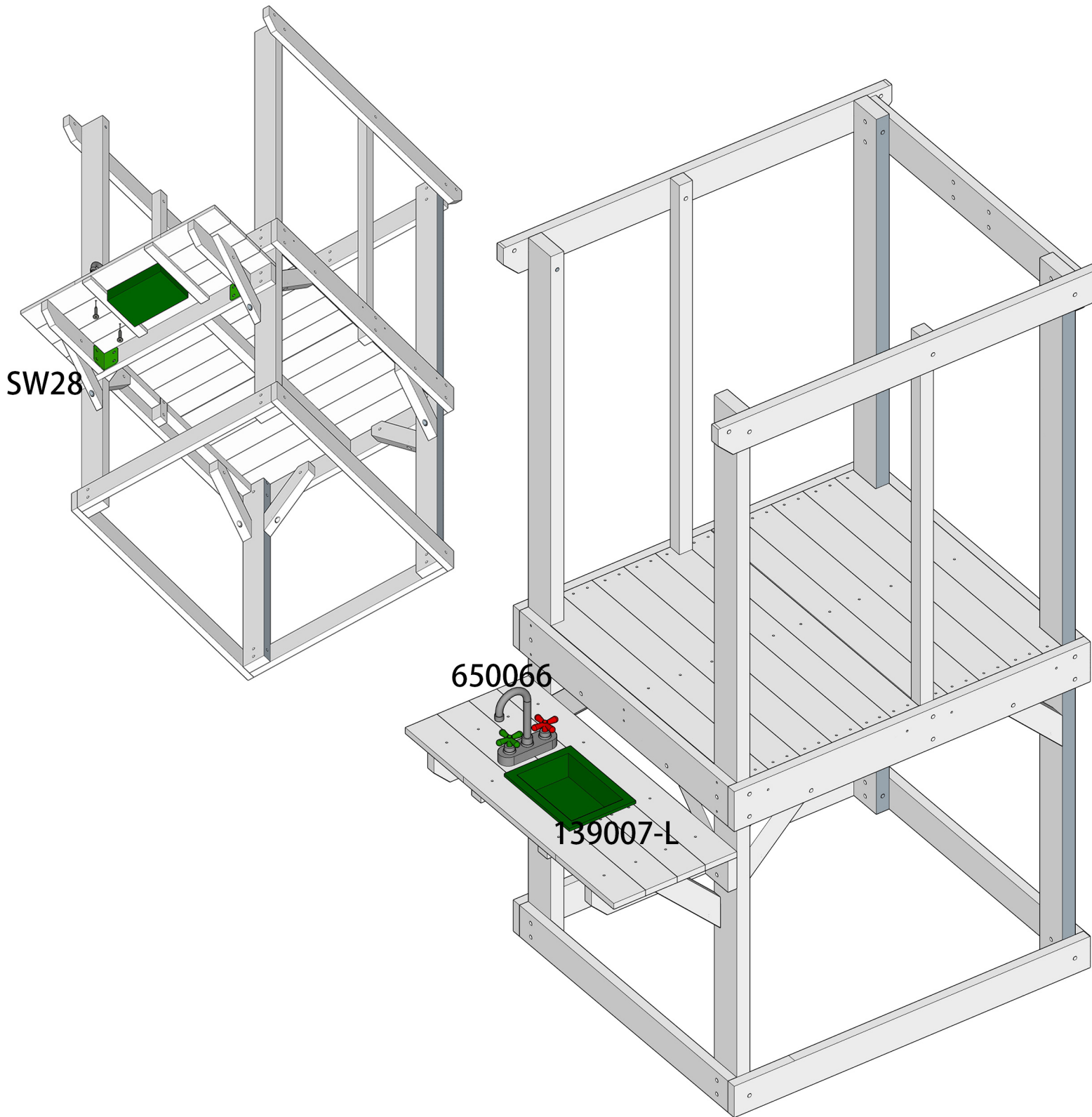
Step 11

Pay attention to the hole alignment
direction of the two plates



List	
Part NO.	Qty
H25	2
H26	1
H27	1
H28	2
H29	1
H30	1
SW28	12
SW35	8

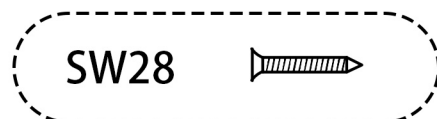
Step 12



SW28

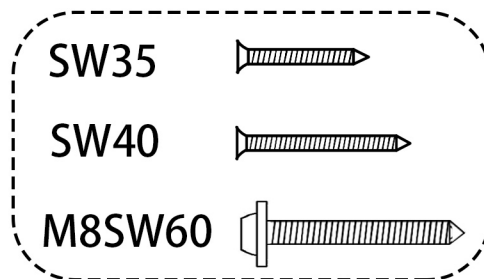
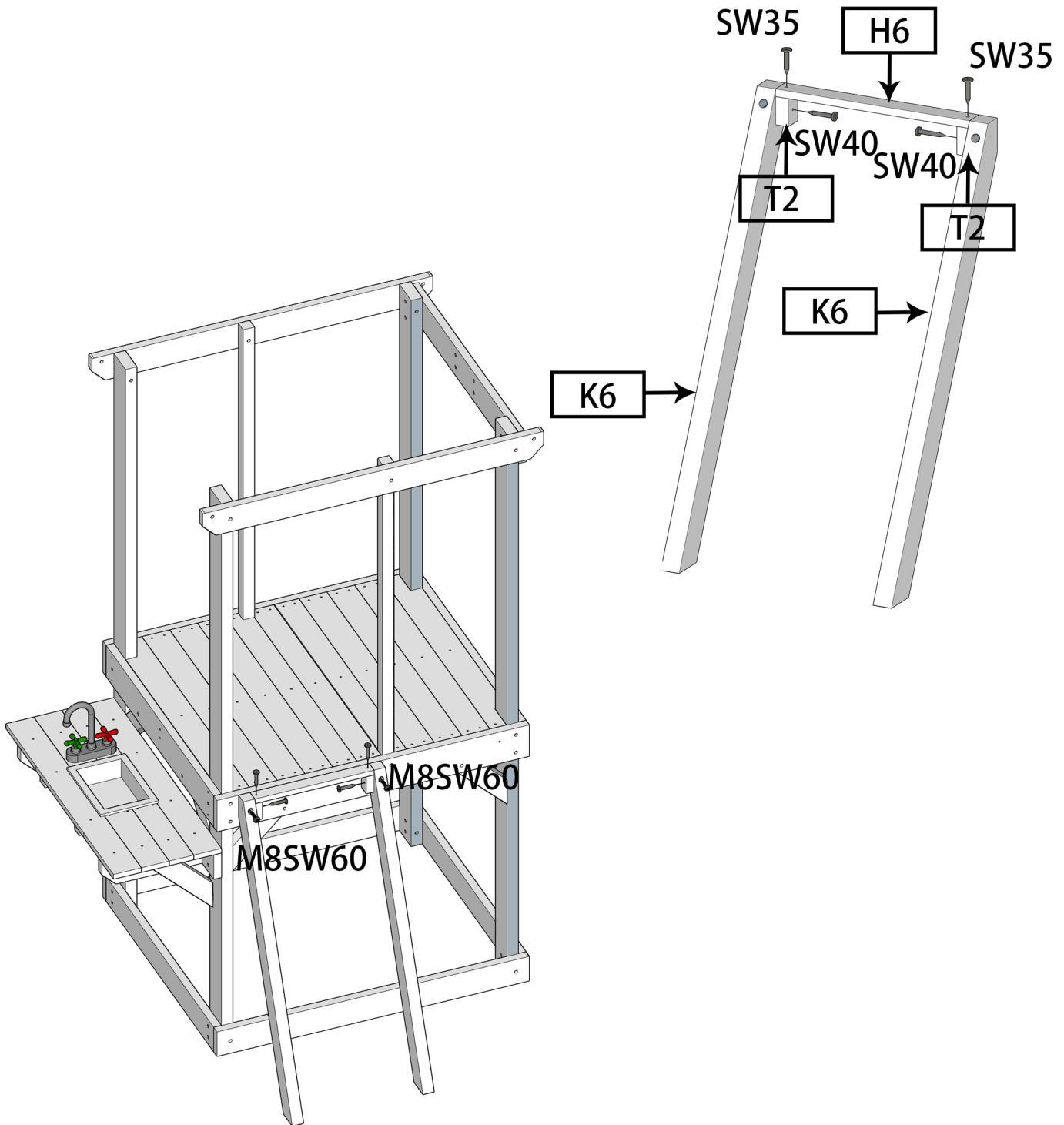
650066

139007-L



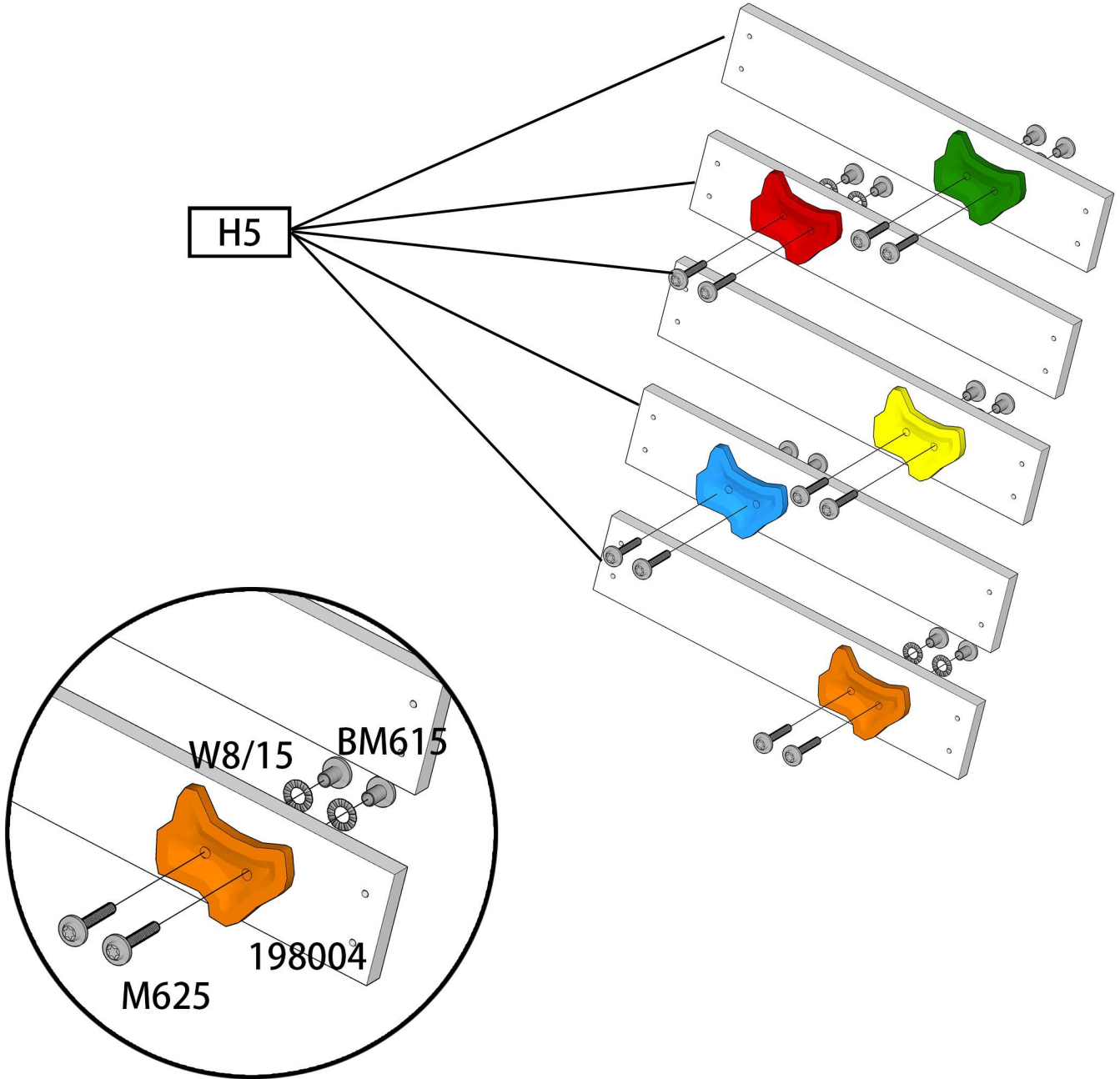
List	
Part NO.	Qty
139007-L	1
650066	1
SW28	2

Step 13

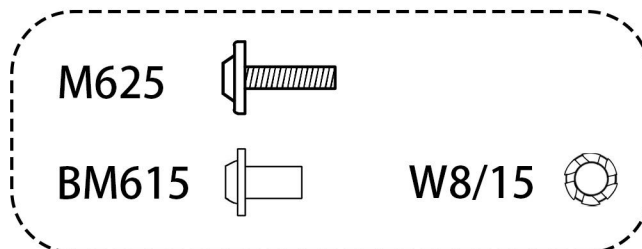


List	
Part NO.	Qty
H6	1
K6	2
T2	2
SW35	2
SW40	2
M8SW60	2

Step14

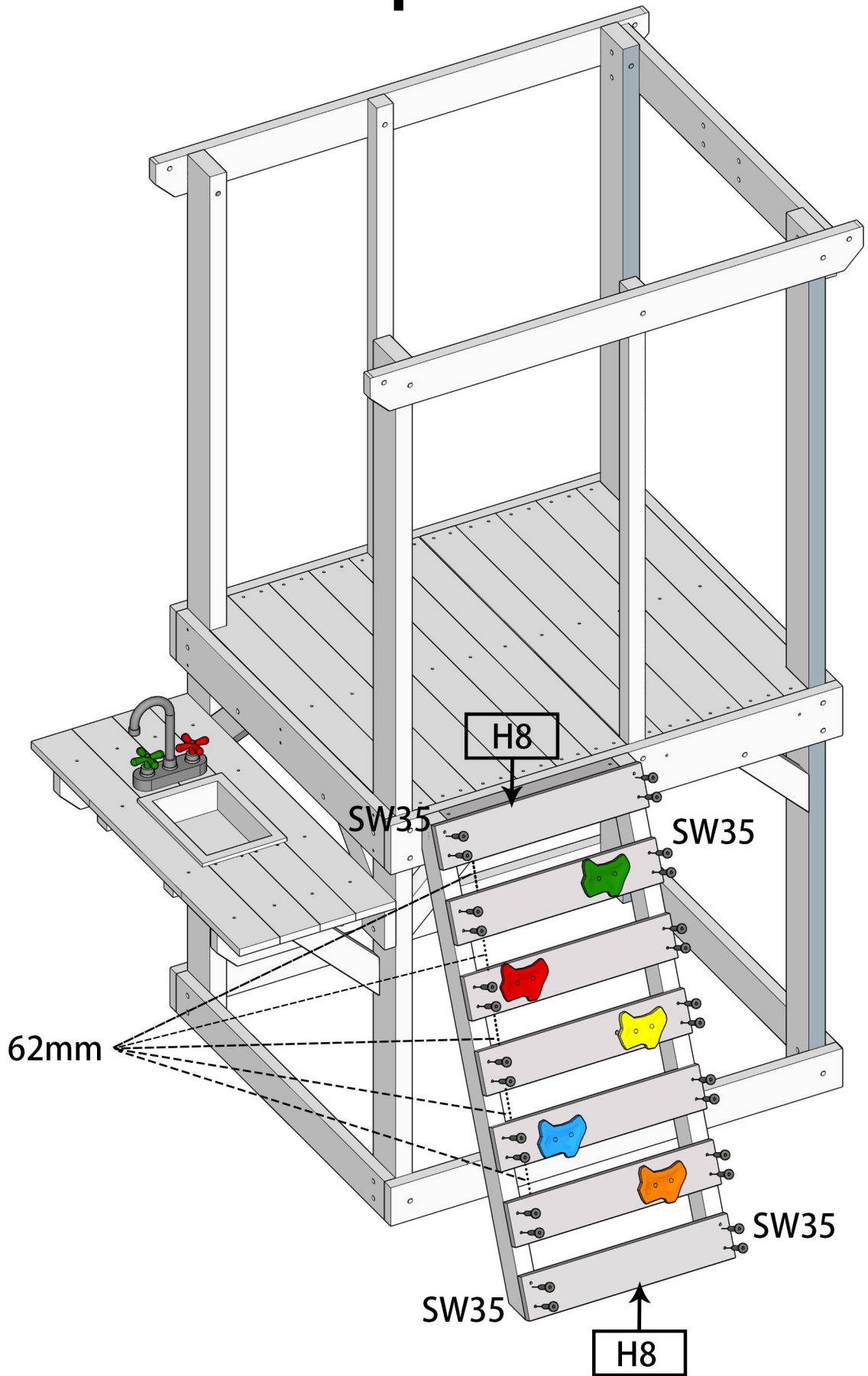


X5



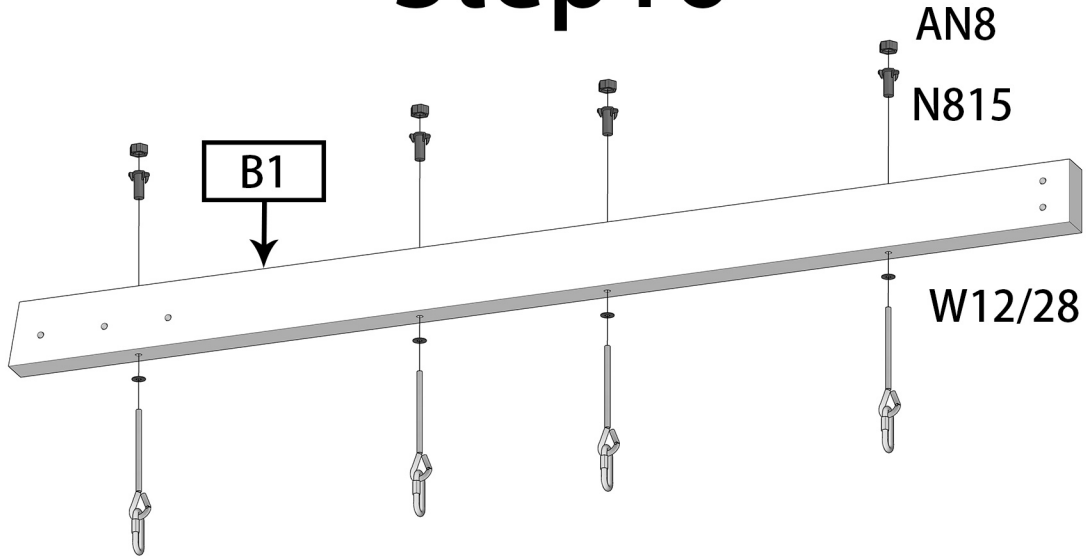
List	
Part NO.	Qty
H5	5
198004	5
M625	10
W8/15	10
BM615	10

Step 15

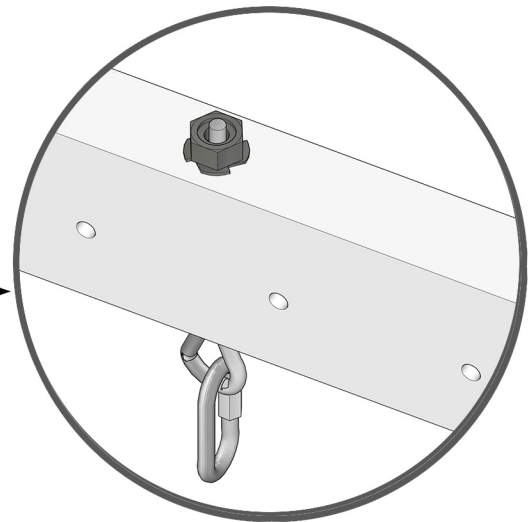
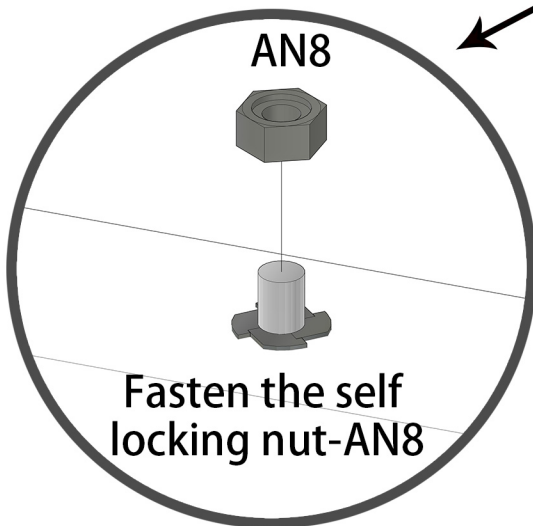
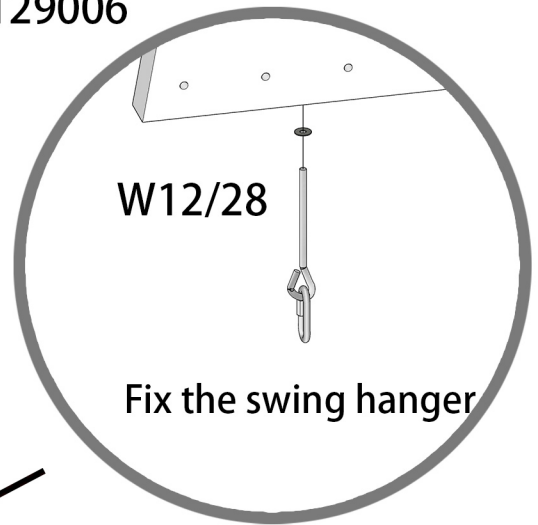
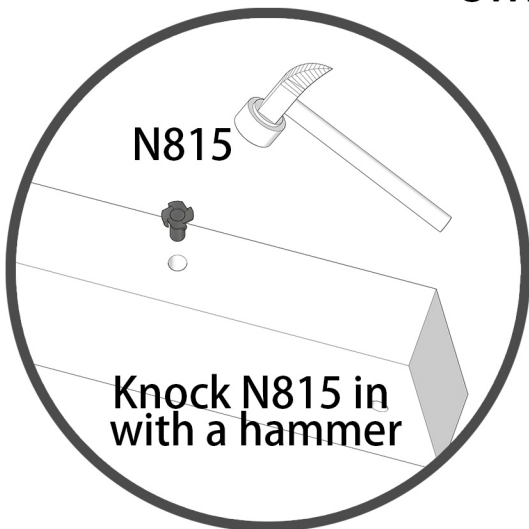


List	
Part NO.	Qty
H8	2
SW35	28

Step 16



SWING HANGER-129006



Warning: Please fix the AN8 as strong as possible, the hanger must through the nut completely. Do not use the swing seat before tight the AN8 nuts

List	
Part NO.	Qty
B1	1
AN8	4
N815	4
W12/18	4
129006	4

AN8



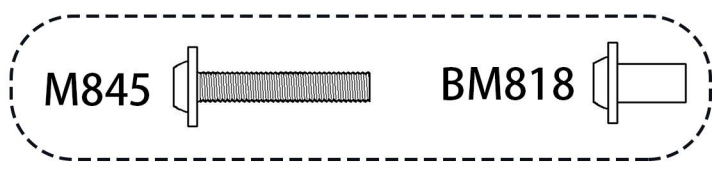
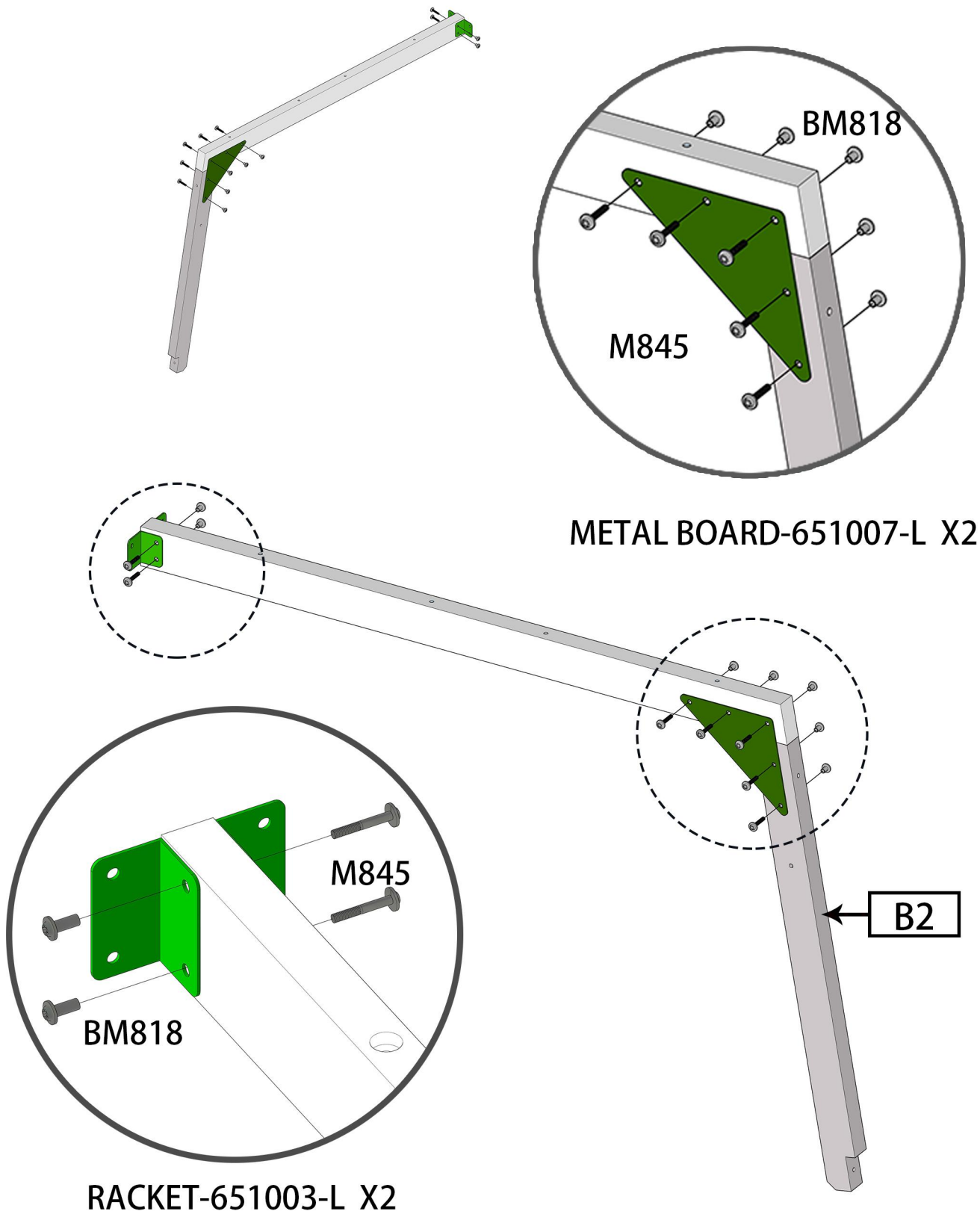
W12/28



N815

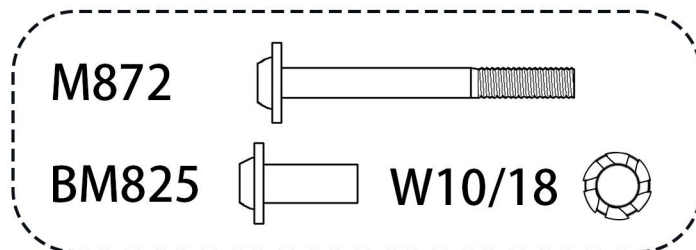
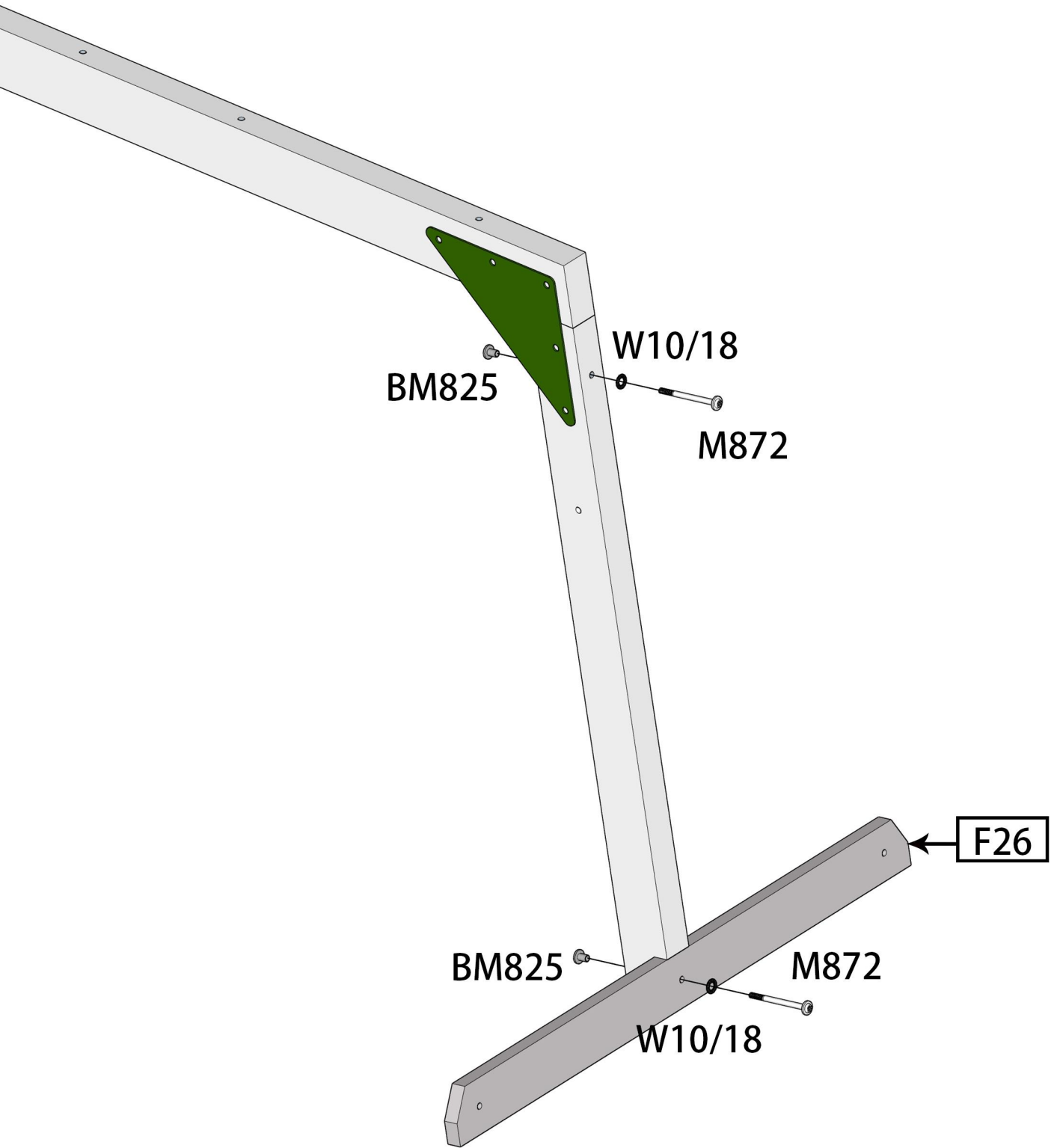


Step 17



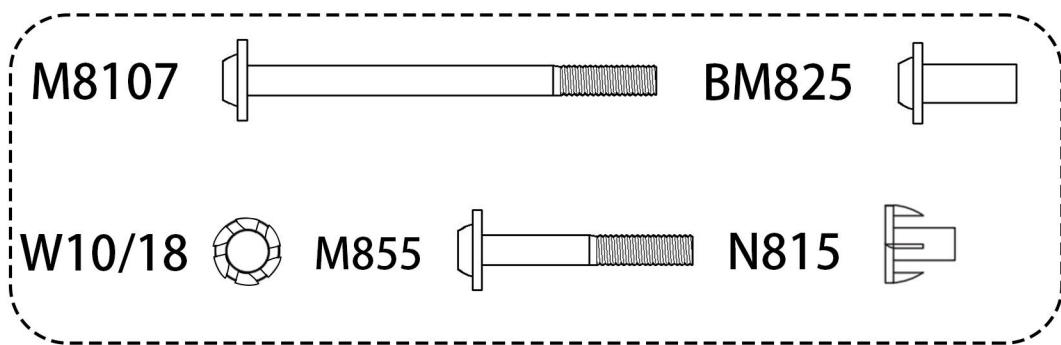
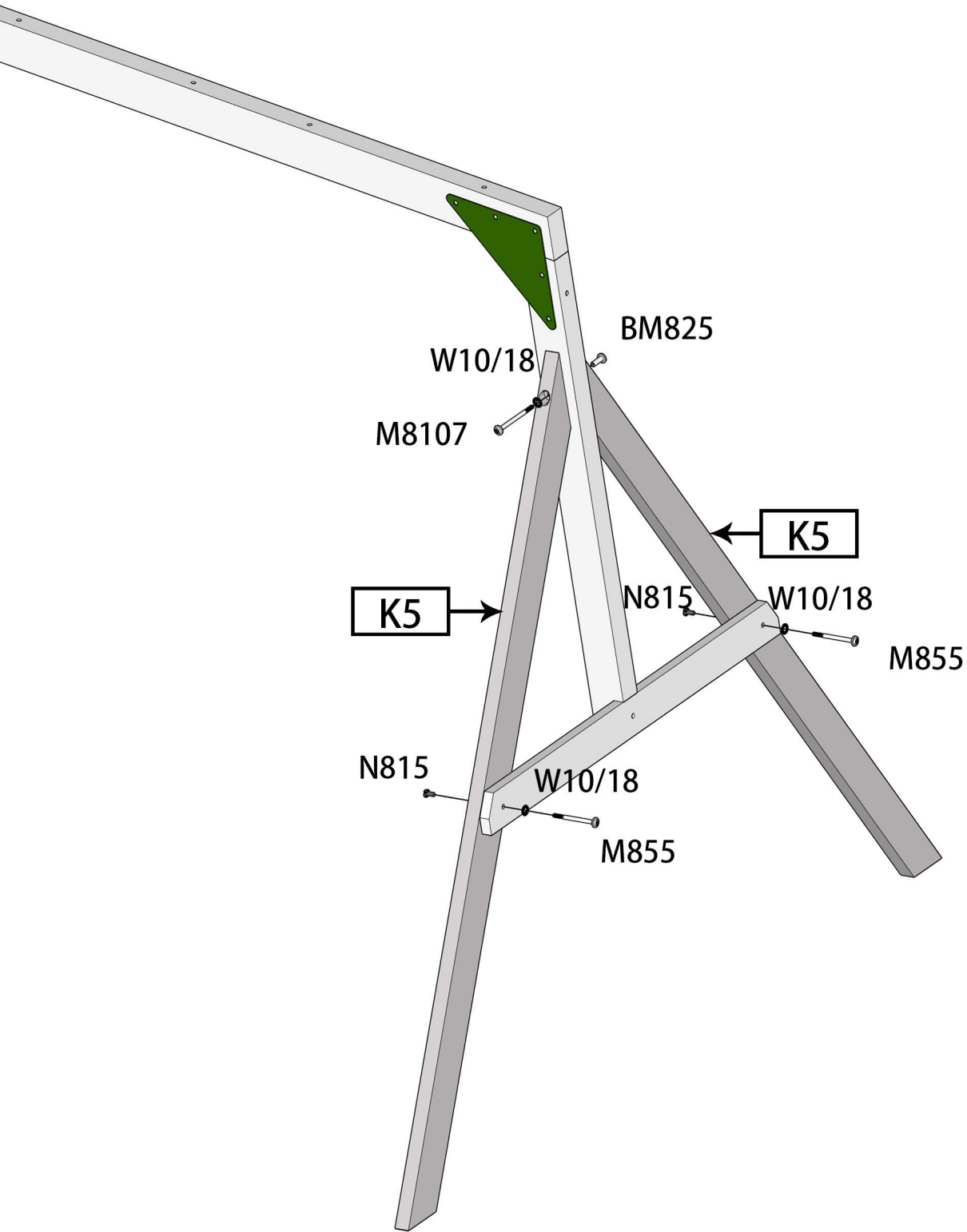
List	
Part NO.	Qty
B2	1
651003-L	2
651007-L	2
M845	7
BM818	7

Step 18



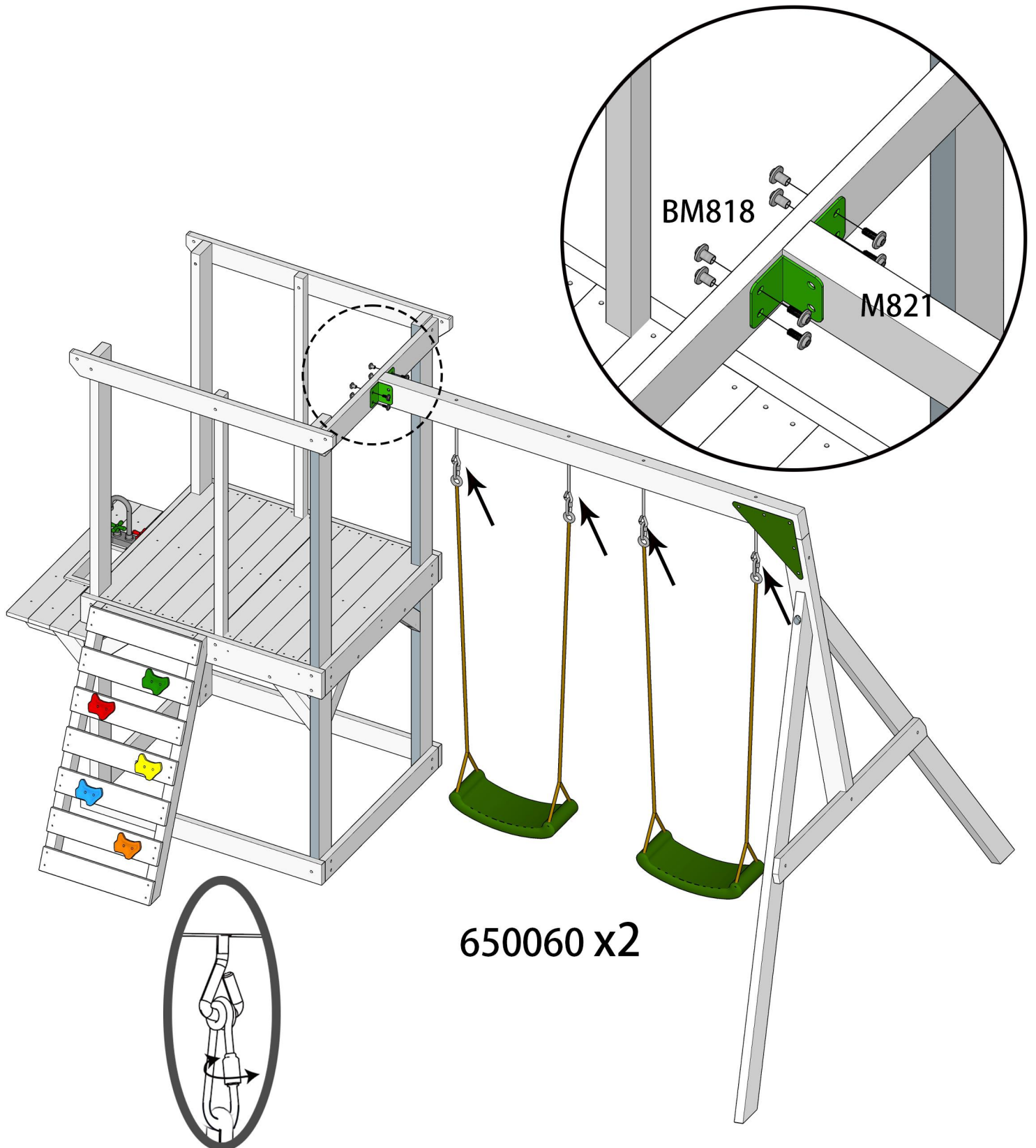
List	
Part NO.	Qty
F26	1
M872	2
W10/18	2
BM825	2

Step 19



List	
Part NO.	Qty
K5	2
M8107	1
M855	2
W10/18	3
BM825	1
N815	2

Step 20



650060 x2

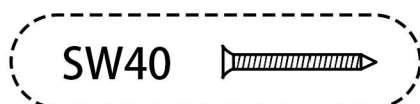
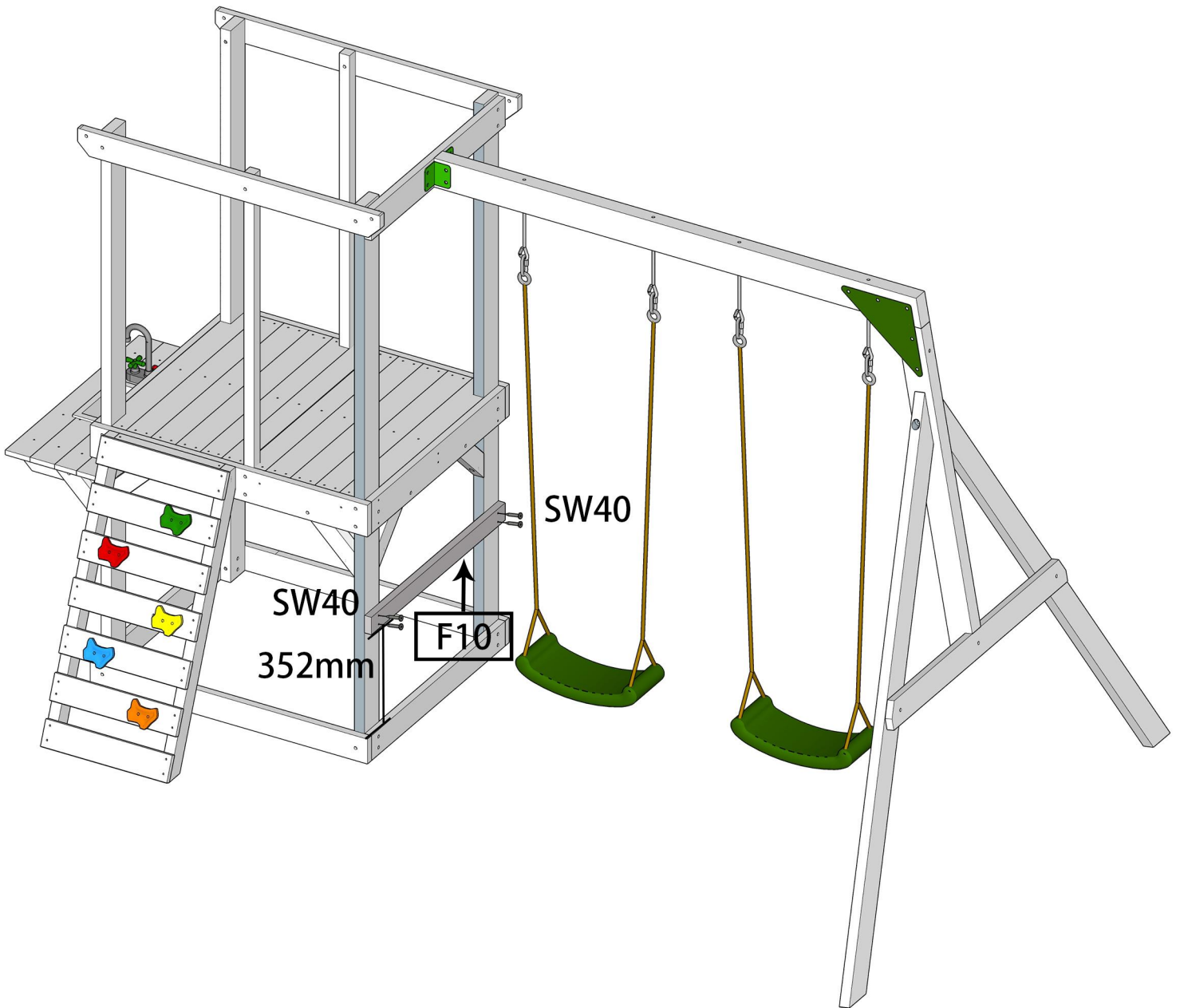


Hang the swing



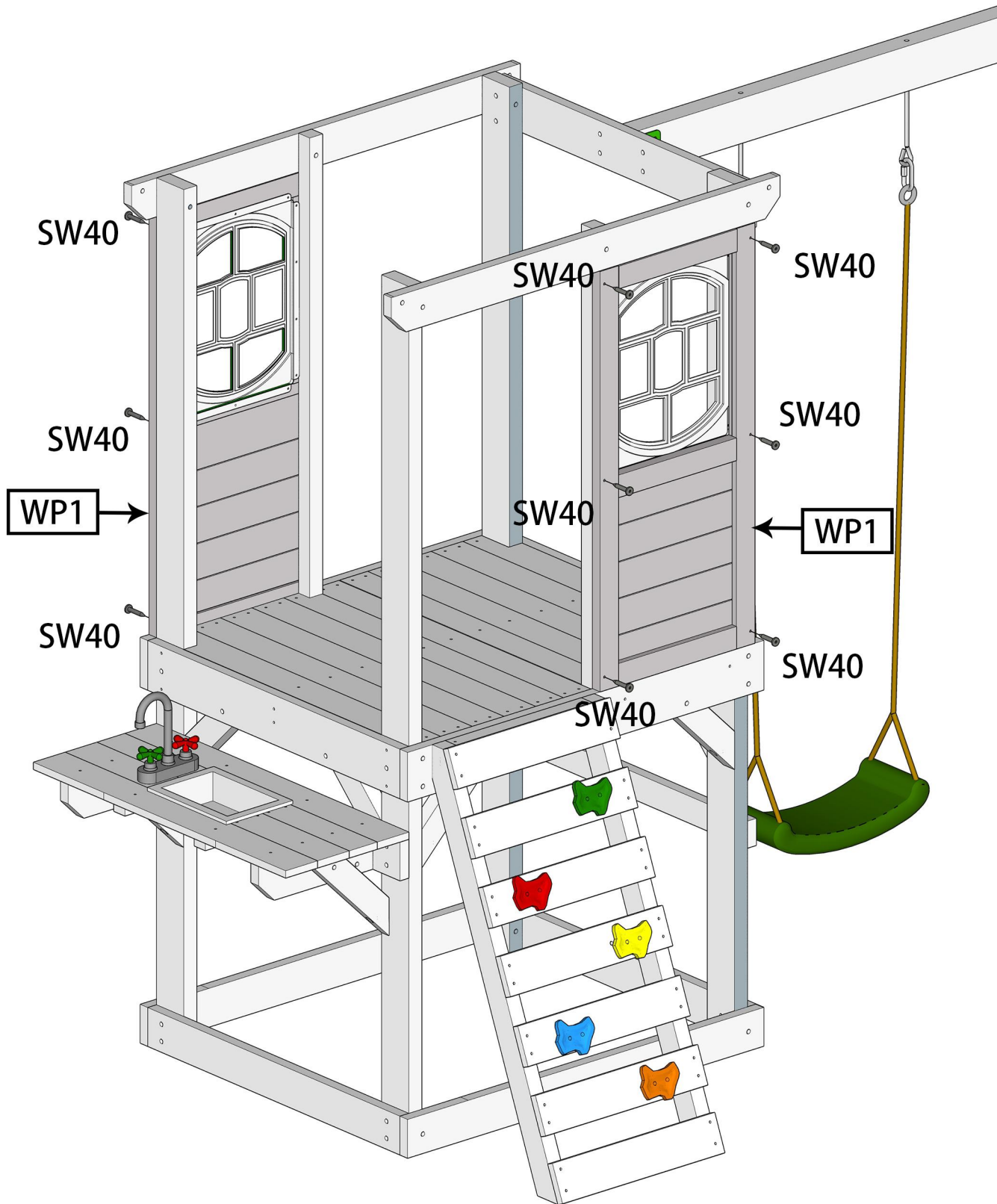
List	
Part NO.	Qty
650060	2
M821	4
BM818	4

Step21



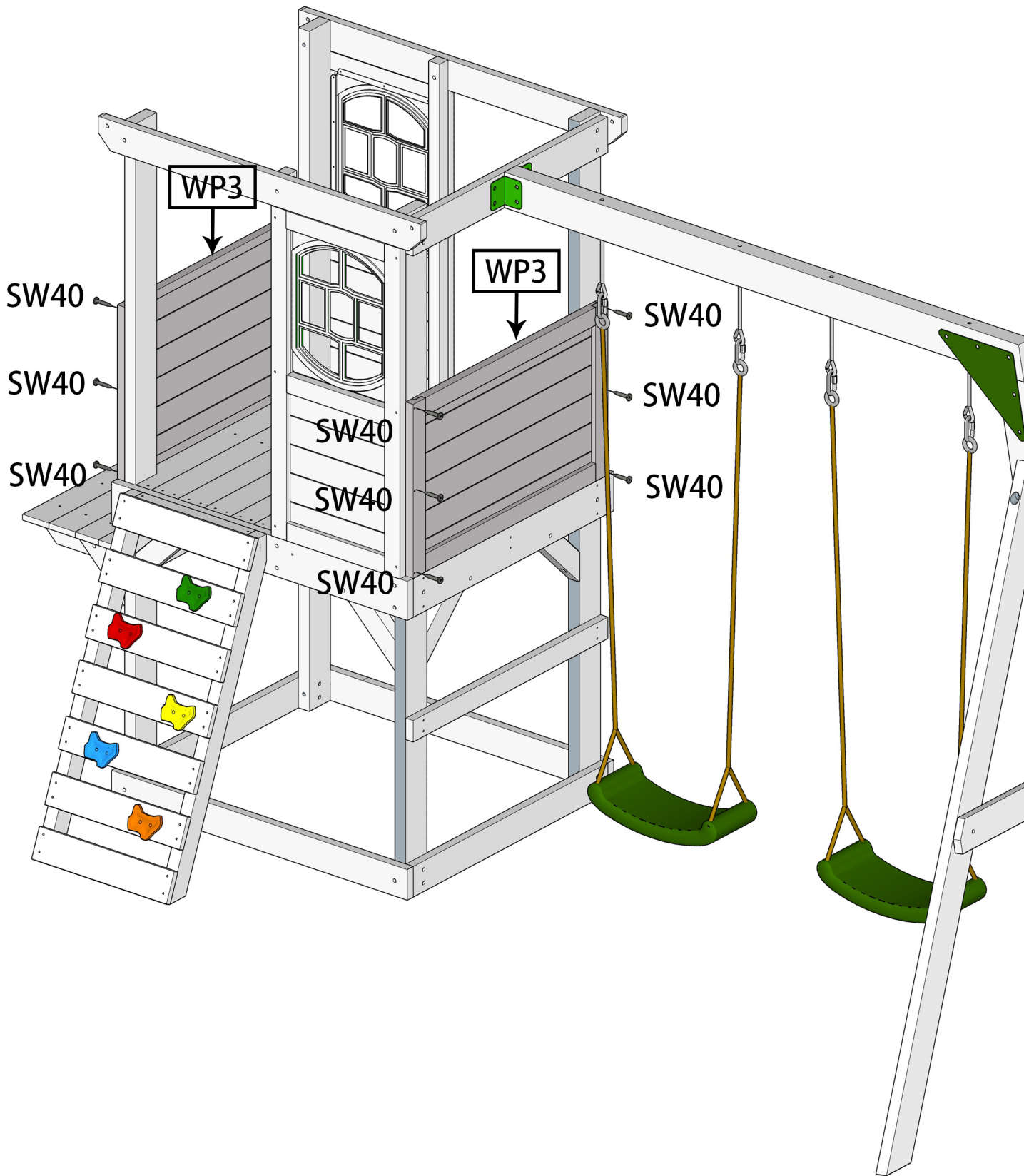
List	
Part NO.	Qty
F10	1
SW40	4

Step 22



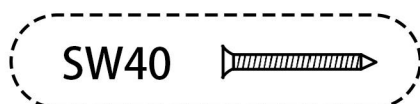
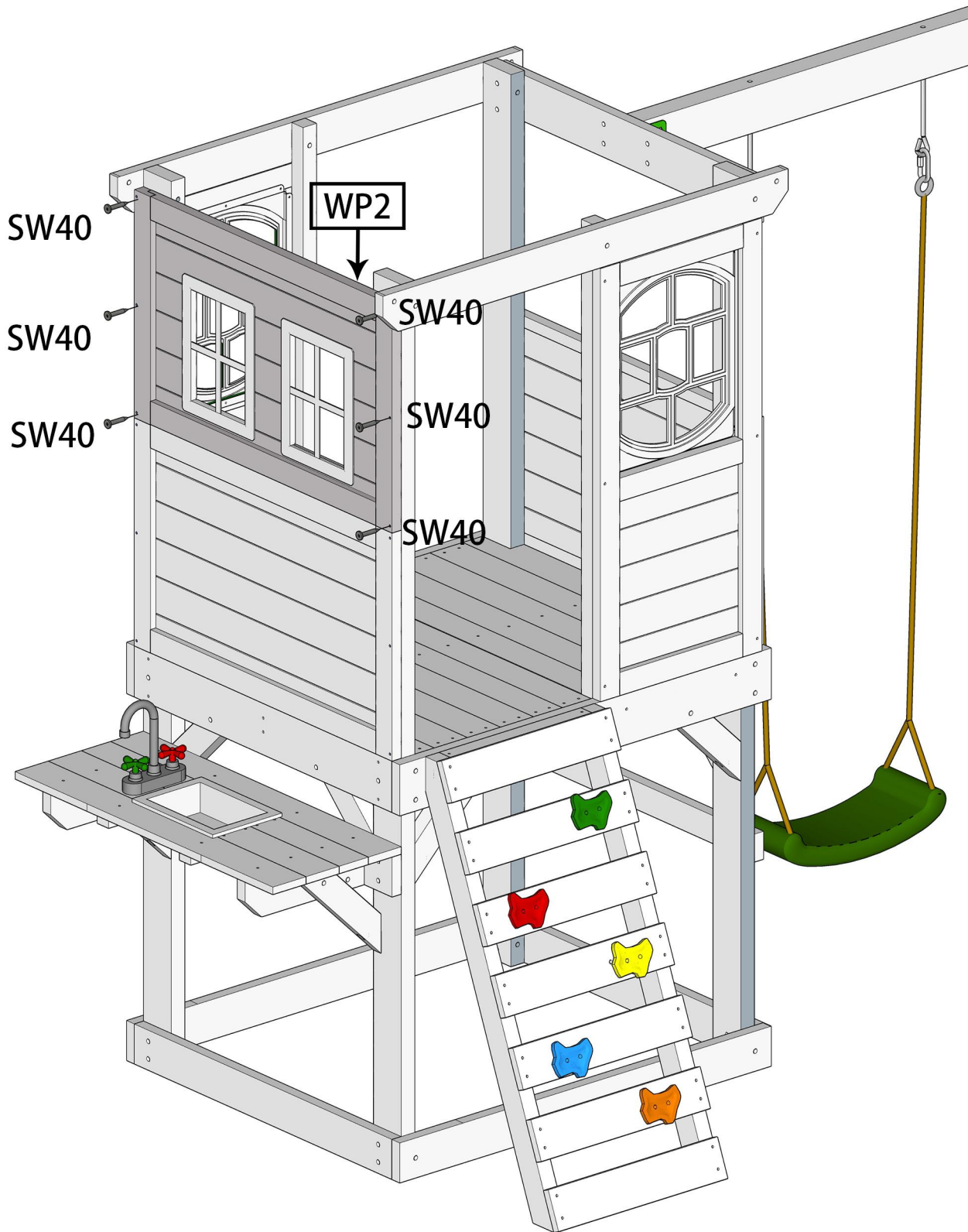
List	
Part NO.	Qty
WP1	2
SW40	12

Step 23



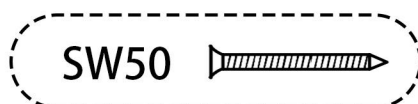
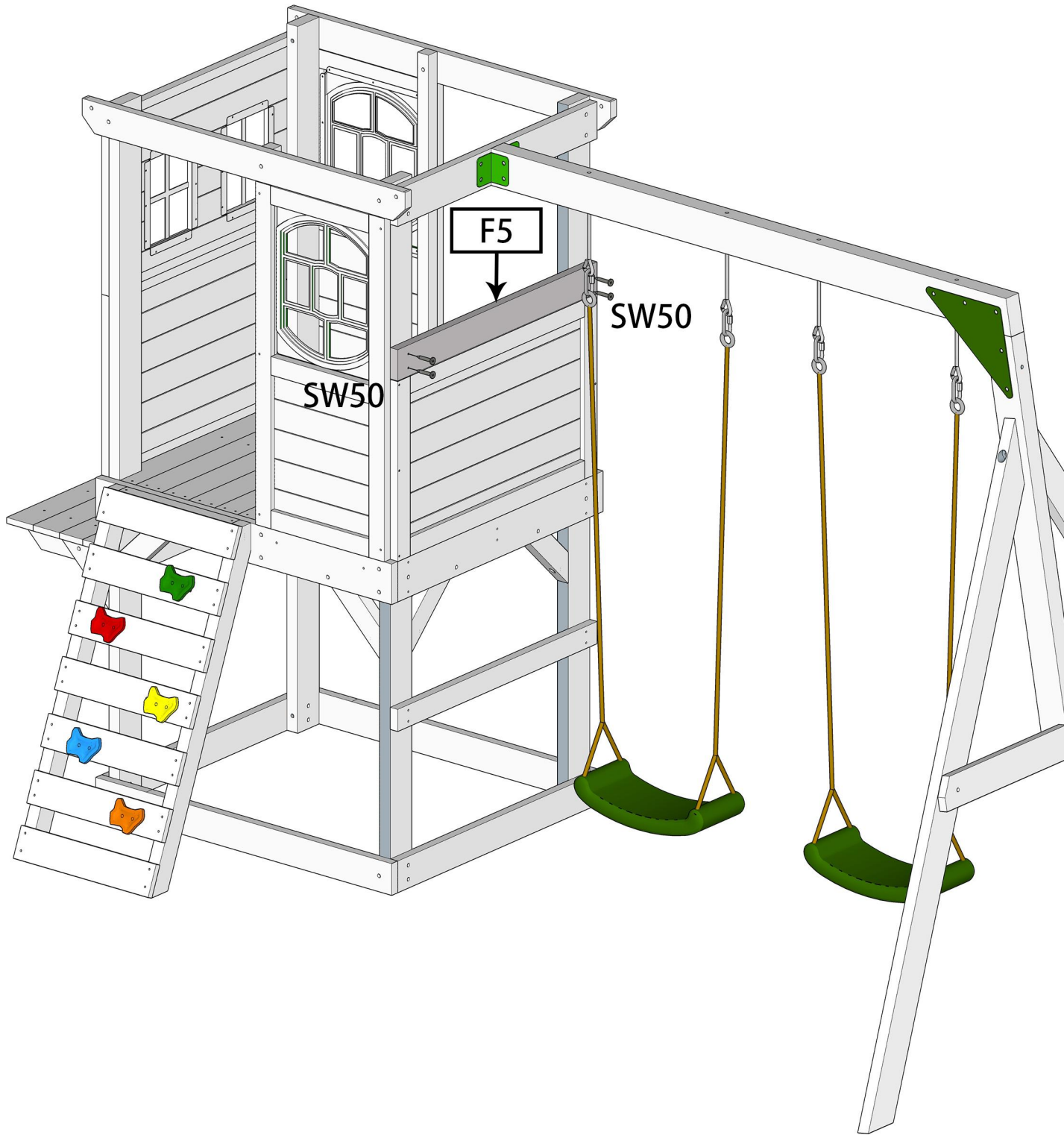
List	
Part NO.	Qty
WP3	2
SW40	12

Step24



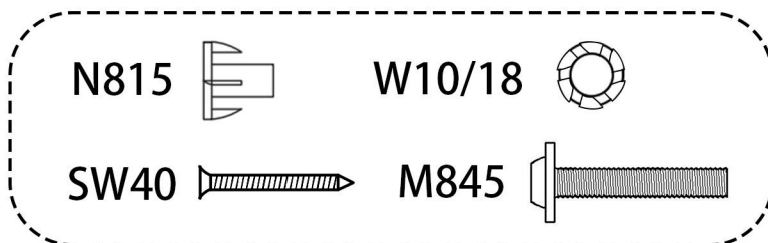
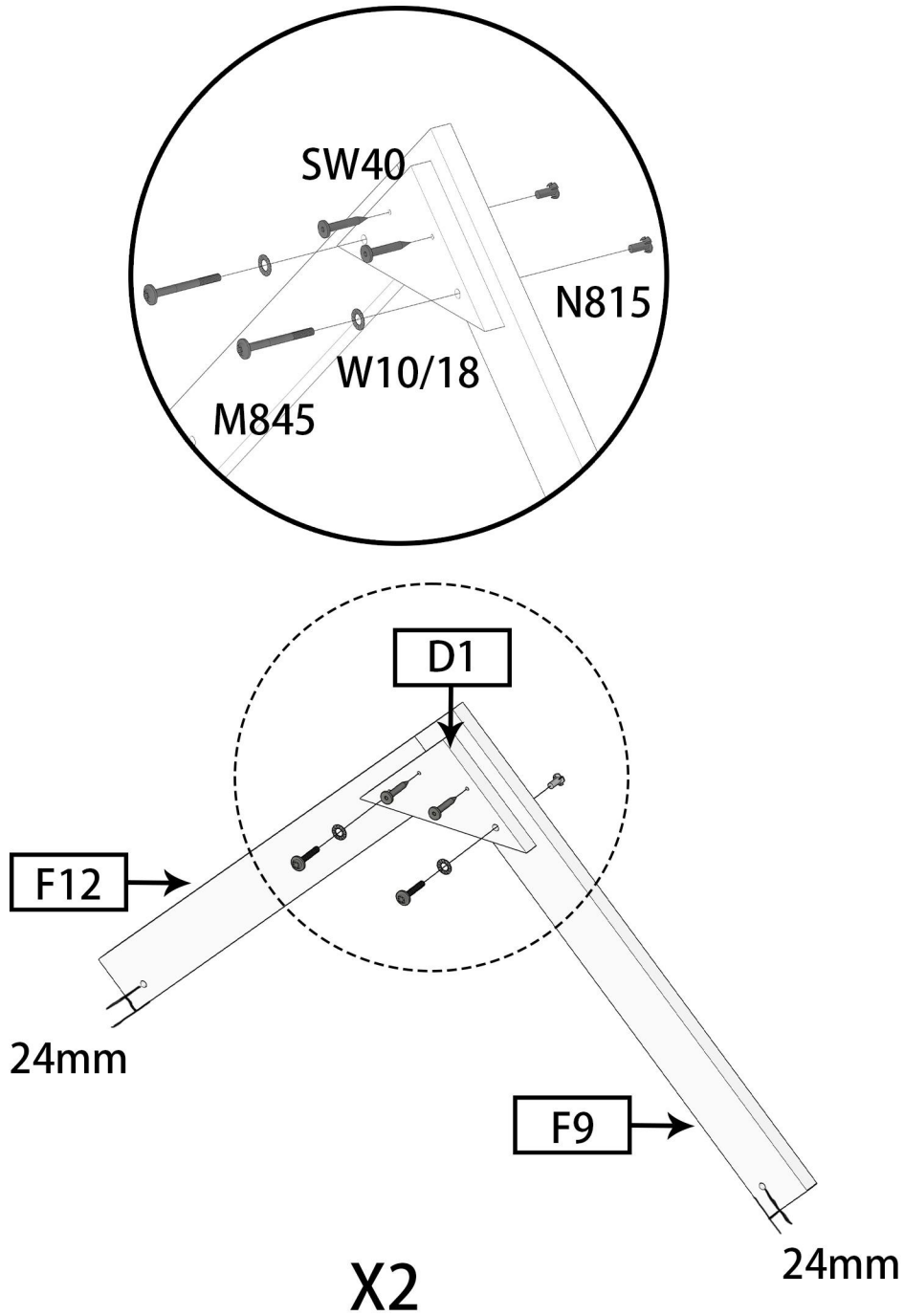
List	
Part NO.	Qty
WP2	1
SW40	6

Step 25



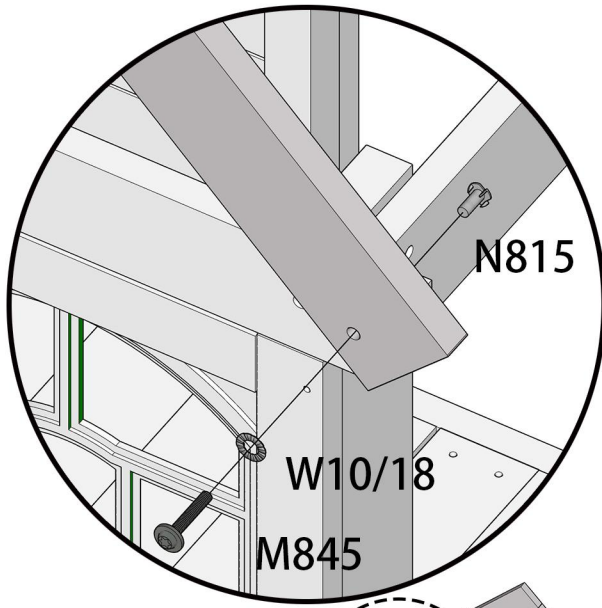
List	
Part NO.	Qty
F5	1
SW50	4

Step26

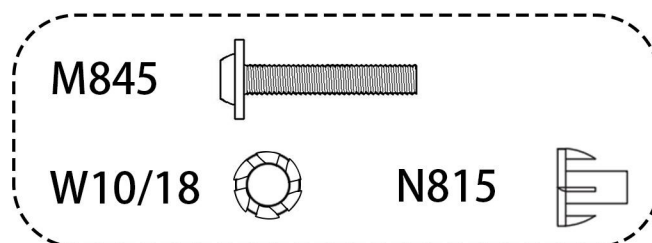
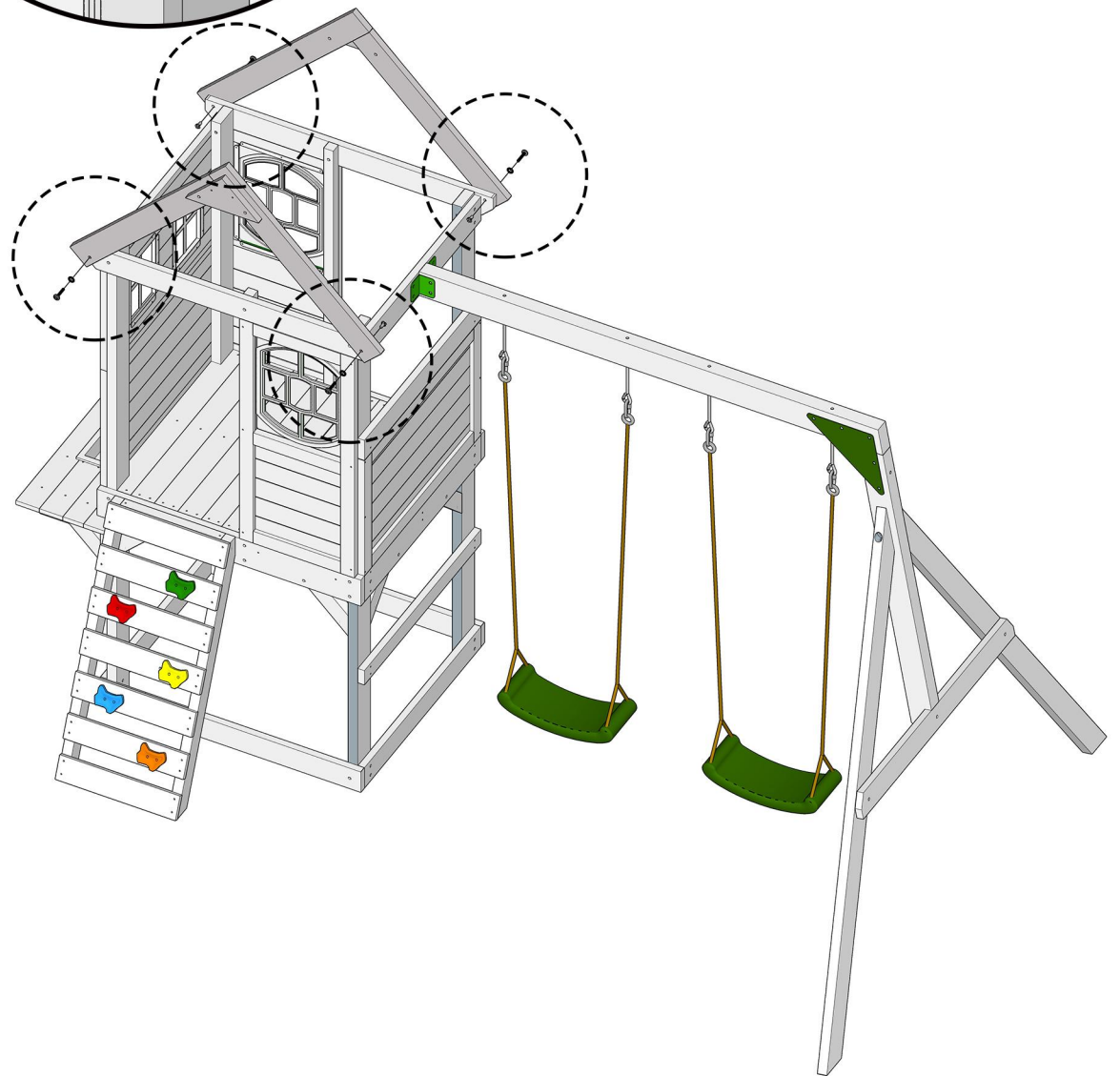


List	
Part NO.	Qty
D1	2
F9	2
F12	2
M845	4
W10/18	4
N815	4
SW40	4

Step 27

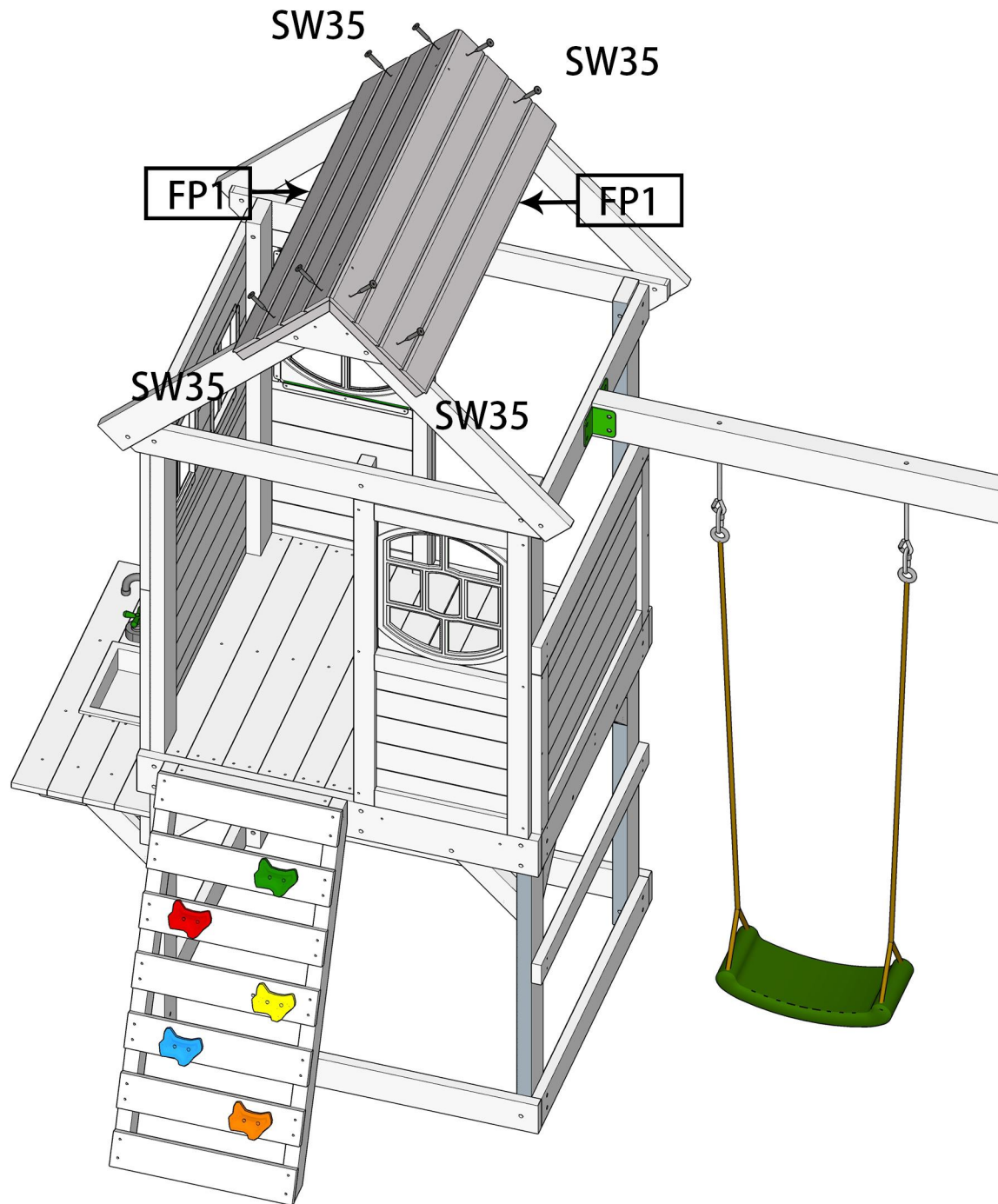


X4



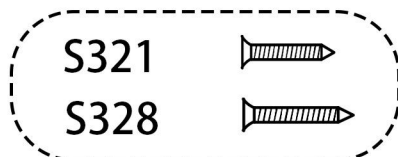
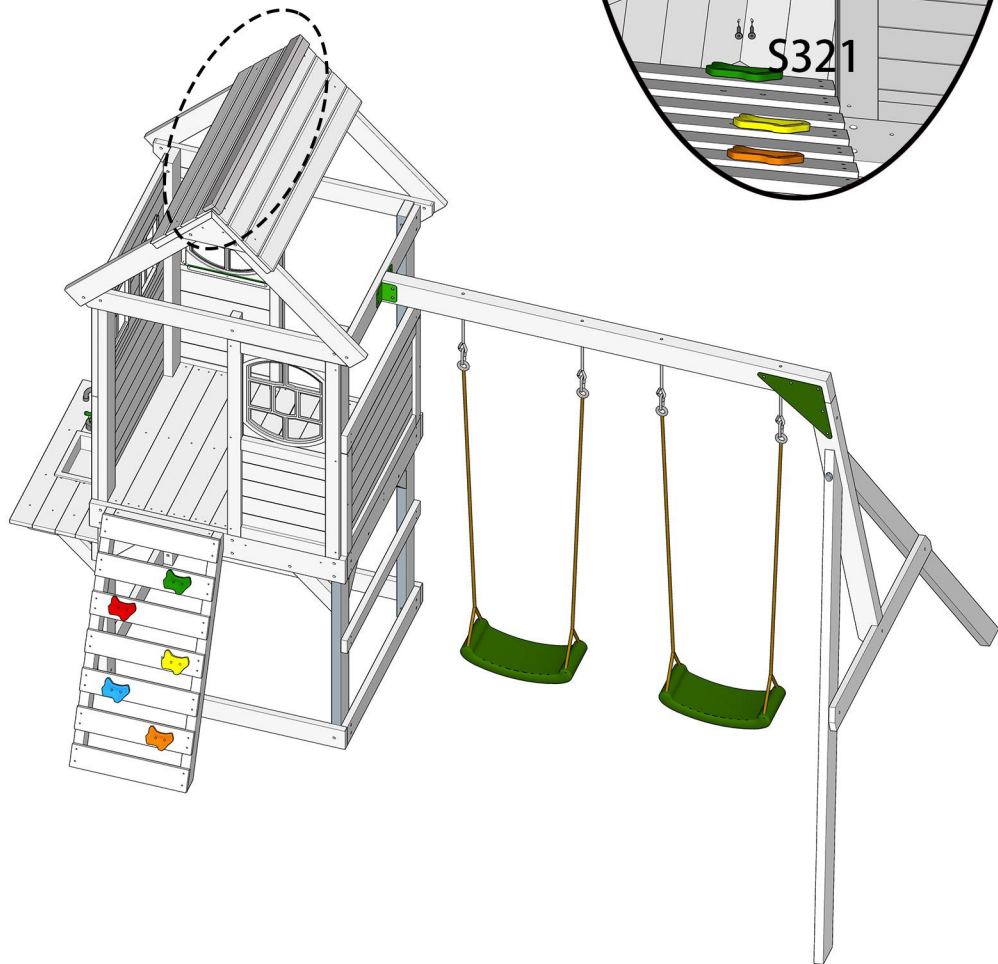
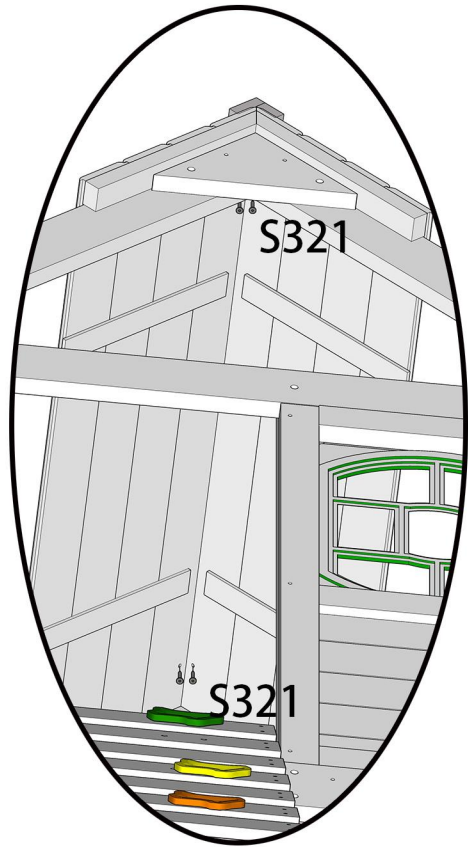
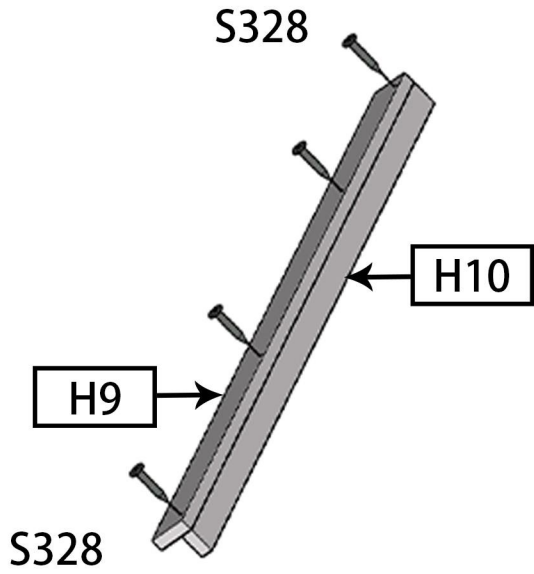
List	
Part NO.	Qty
M845	4
W10/18	4
N815	4

Step 28



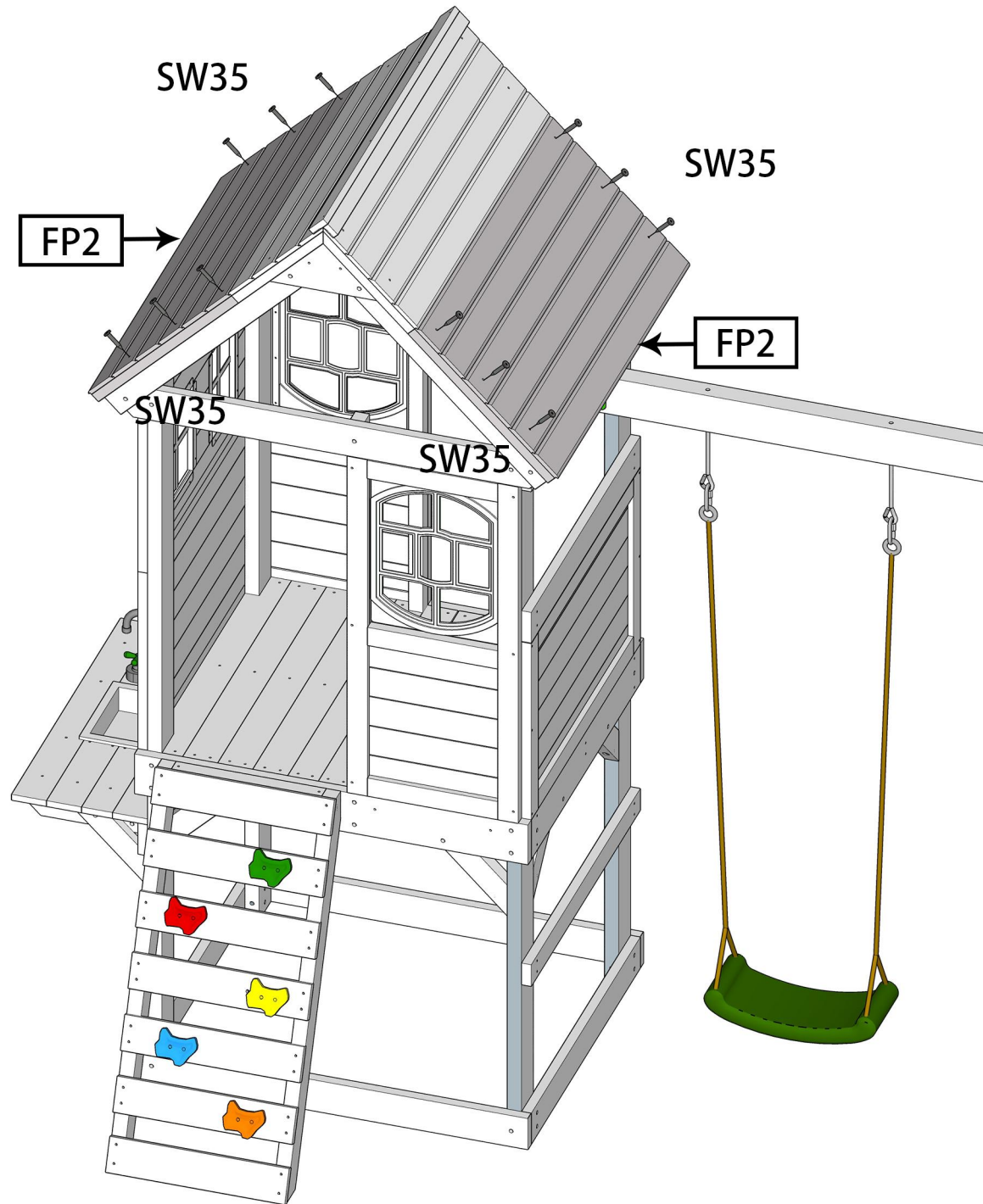
List	
Part NO.	Qty
FP1	2
SW35	8

Step 29



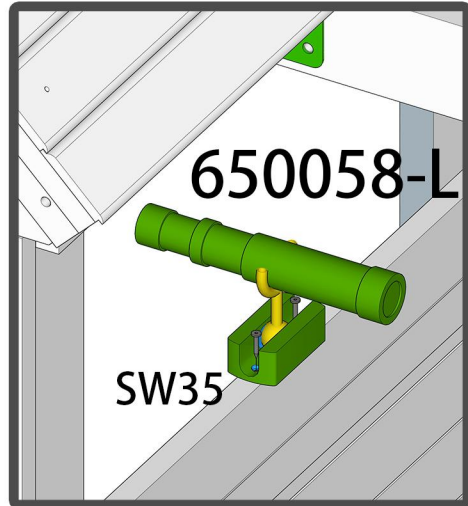
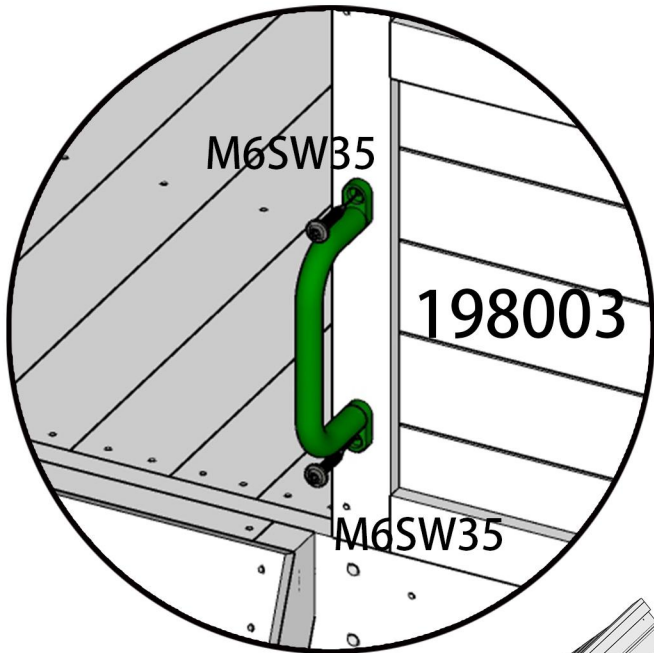
List	
Part NO.	Qty
H9	1
H10	1
S321	4
S328	4

Step30

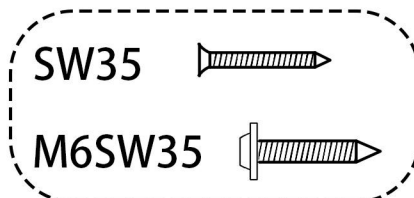
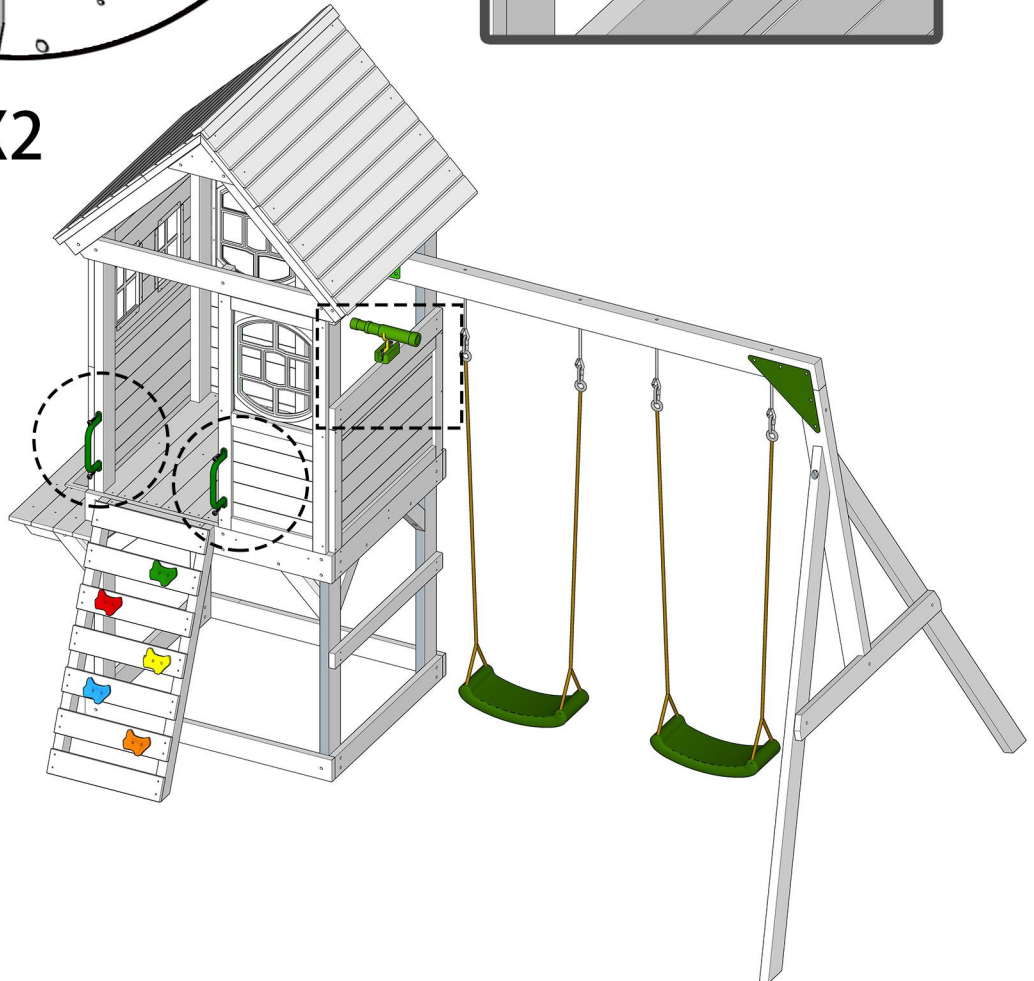


List	
Part NO.	Qty
FP2	2
SW35	12

Step31



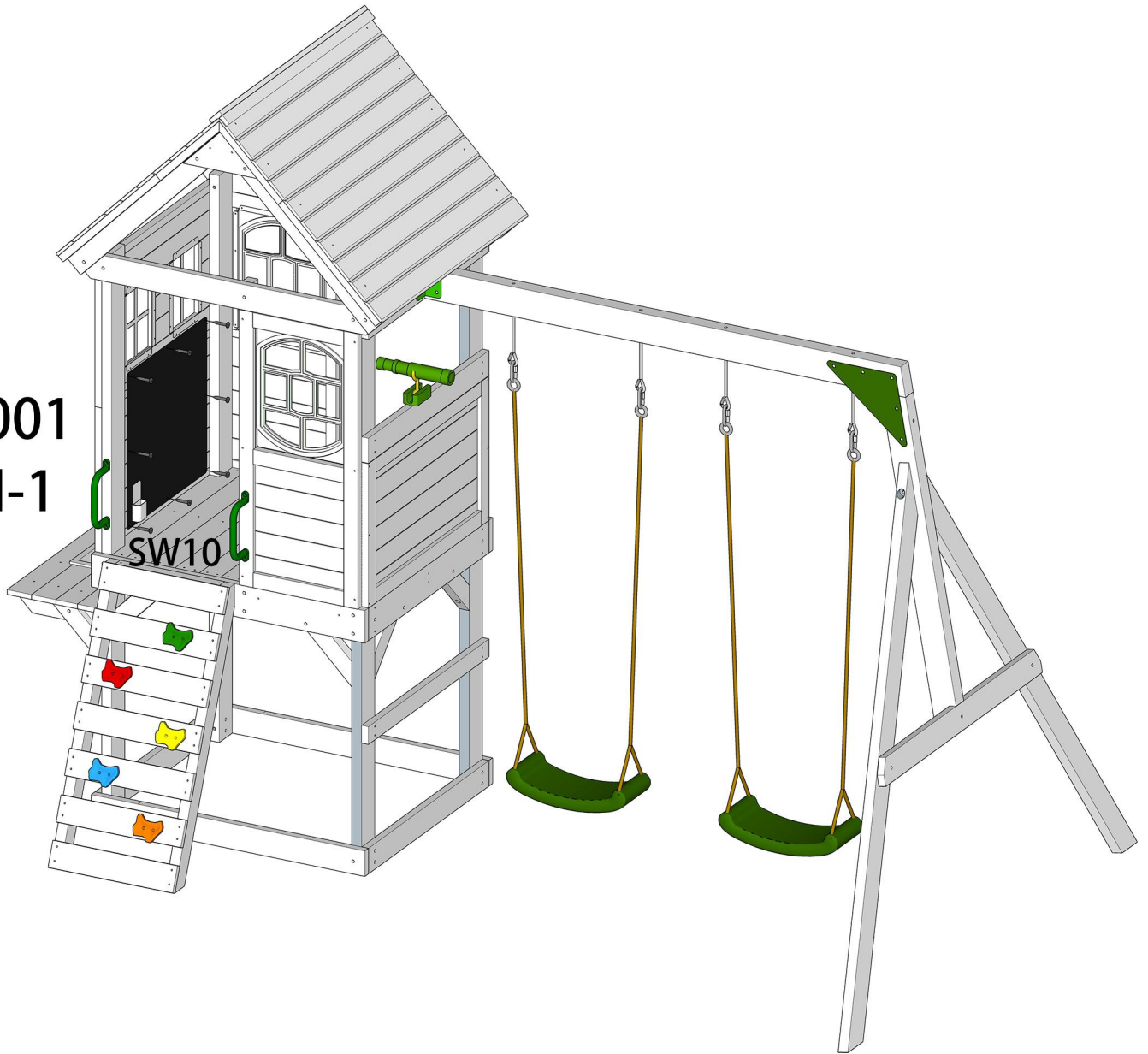
X2



List	
Part NO.	Qty
198003	2
650058-L	1
M6SW35	4
SW35	2

Step32

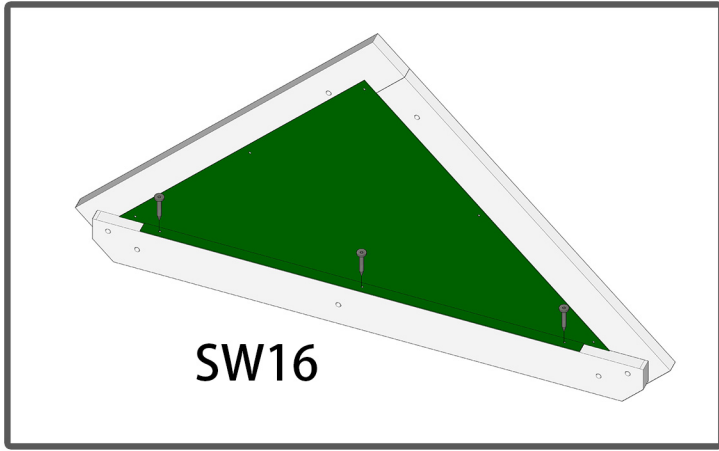
139001
FBH-1



List	
Part NO.	Qty
139001	1
FBH-1	1
SW10	8

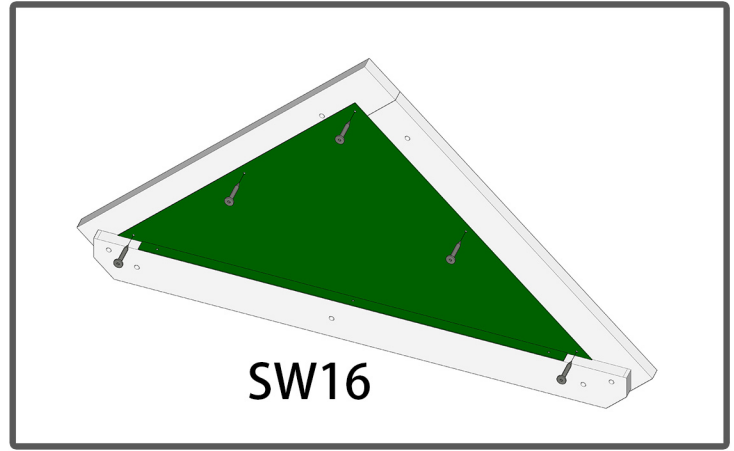
Step33

1

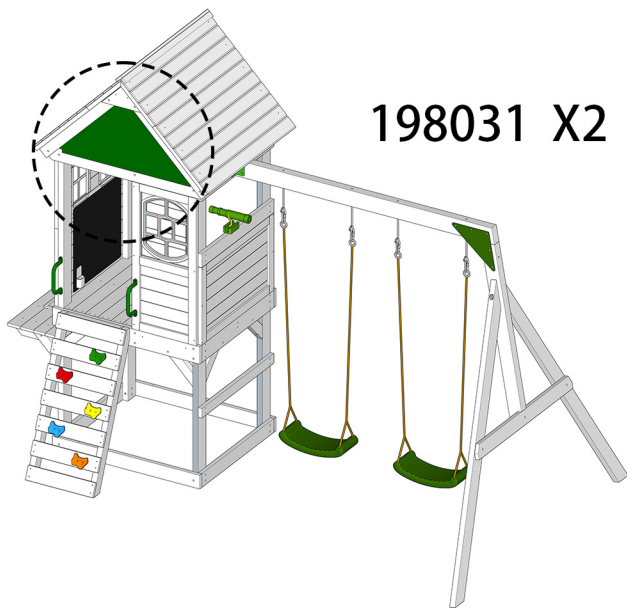


X2

2

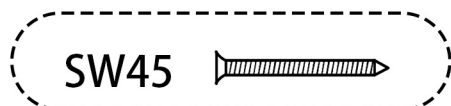


X2



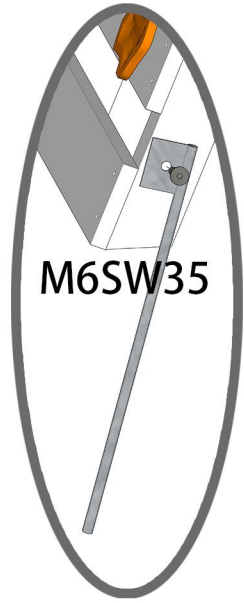
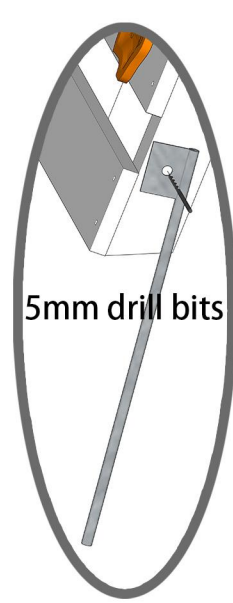
List	
Part NO.	Qty
198031	2
SW16	16

Step34

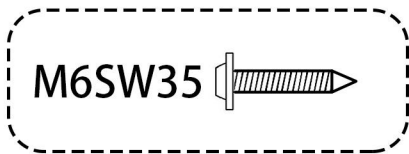
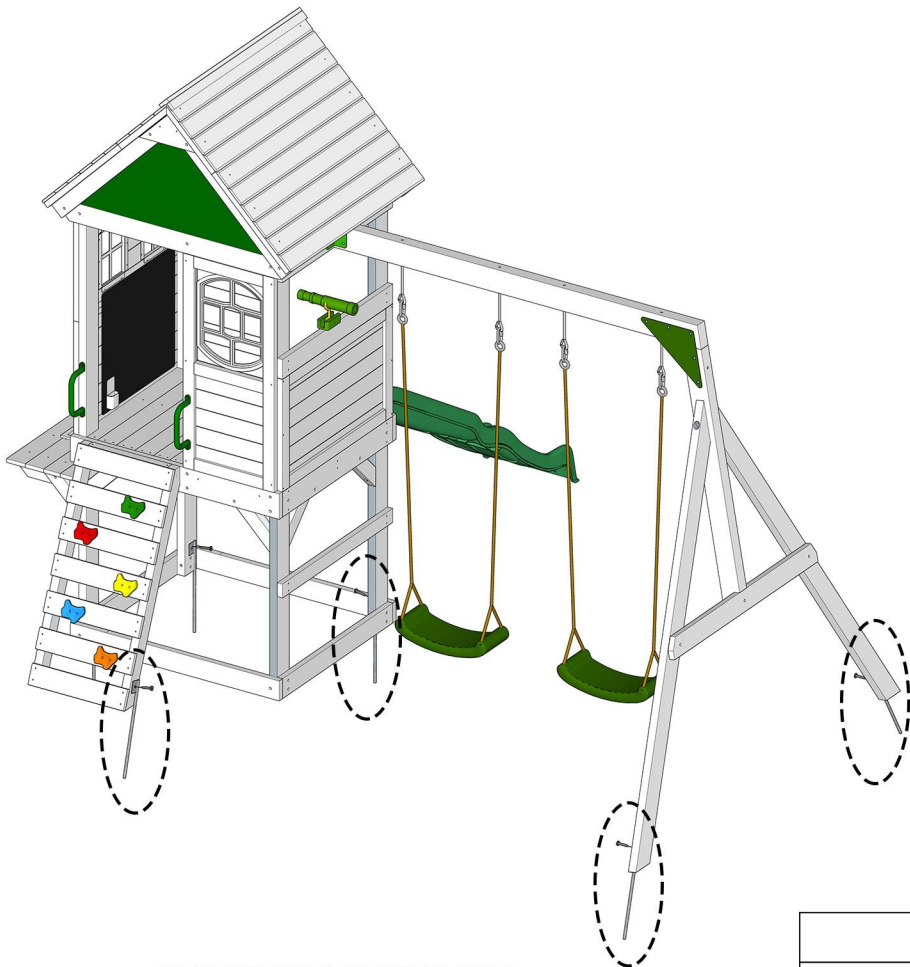
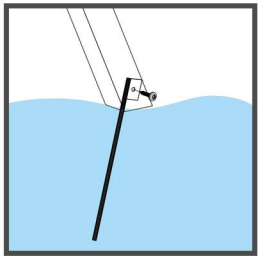
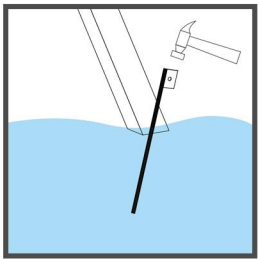


List	
Part NO.	Qty
650081	1
SW45	3

Step35



Pre-drill pilot holes
 Anchors-651081 X6



List	
Part NO.	Qty
651081	6
M6W35	6