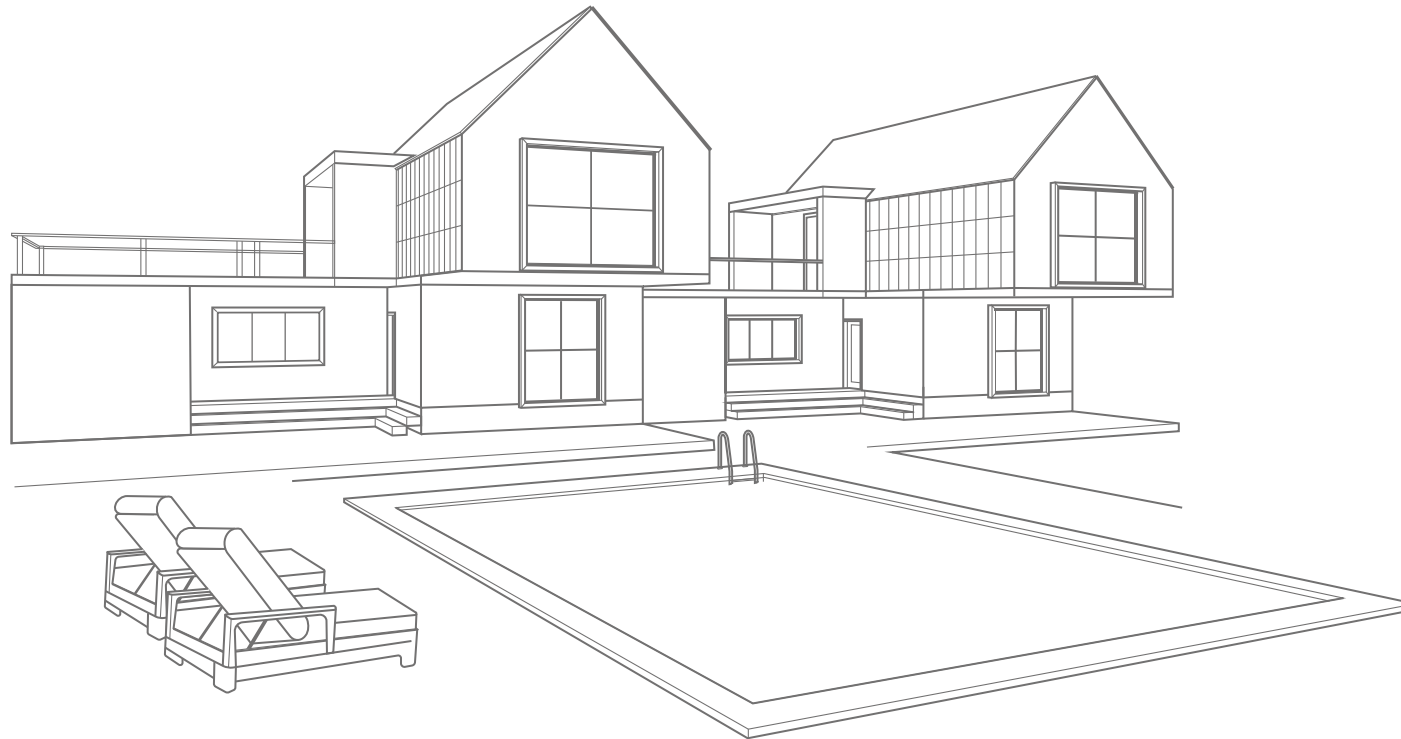


Freestanding Massage Bathtub

Product ID. 7AUWC

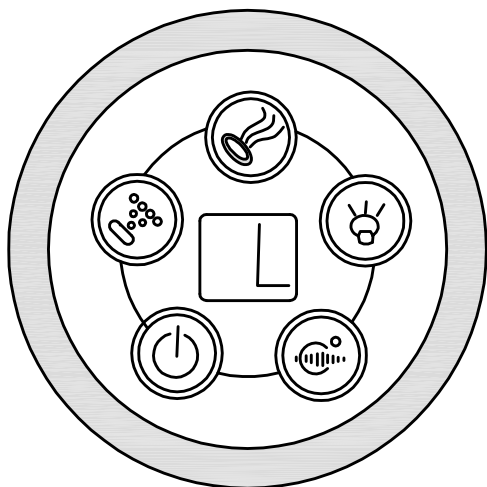



Scan for Support
support@garvee.com





GARVEE.com


Functional Instructions



Turn on , the computer panel starts working.

Turn on , the water pump starts working.

Turn on , the air pump starts working.

This is  The underwater lights are on.

This is  temperature button.

Warning:do not press water pump button without water.

Distributed by

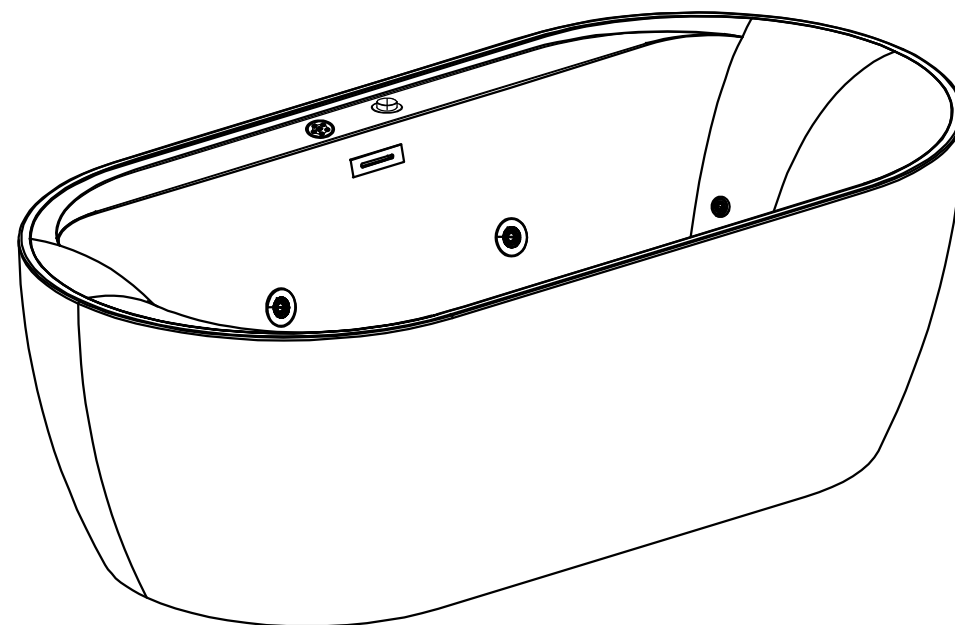
GARVEE

Your Next Best Partner

Support and E-Warranty

WWW.GARVEE.COM/SUPPORT

support@garvee.com



Luxury
Massage Bathtub
Size:1800X900X580

Installation of instructions

Table of Contents

- Safety Precautions 2
- What's in the package 4
- specification 5
- Functional description and dimensional drawing 6
- Electrical construction 7
- Hydropower construction 8
- Bathtub installation and tools 9
- Test run and auxiliary trimming 10
- Functional Instructions 11

Trouble shooting:

Missing/Mrong/Broken parts and installation issues



Seng email with your question plc, order NO. and screenshot of order details to:
support@garvee.com

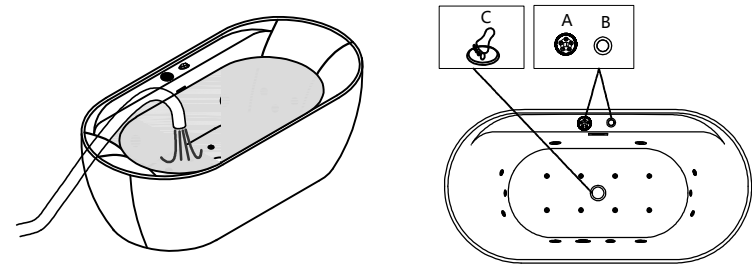


Respond within 24 hours



Issue resolved

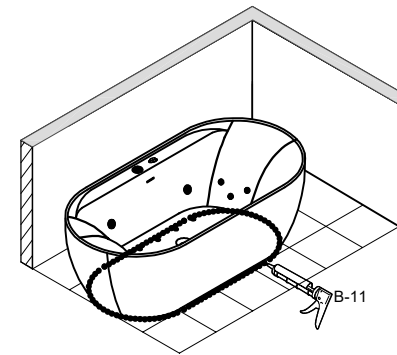
Test run and auxiliary trimming



- A, Massage Bathtub Computer Board Controller
- Turn Button B, and the water will flow faster.
- Push C, drain pop-up drain, water drain or close

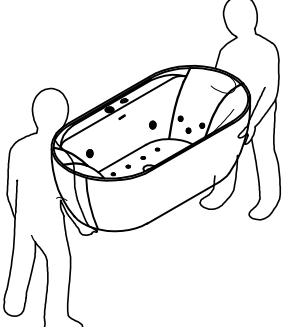
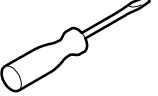
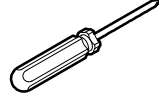
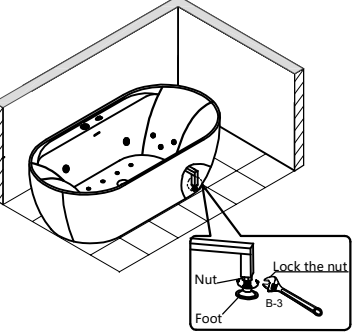
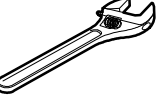
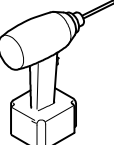
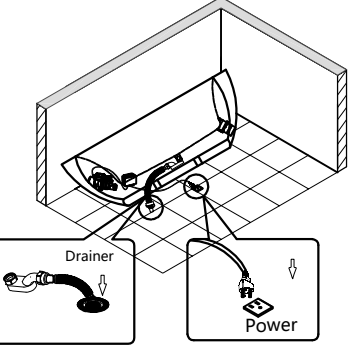

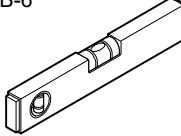




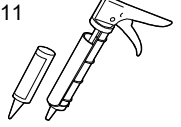
! In the event of a malfunction during trial operation	
symptom	dispose
The water pump or air pump does not move	Is it powered?
	Is there a power outage? Check that the power plug is loose and whether the leakage protection is turned on upwards.
Water magic massage, back spa	The water level in the bathtub is too low? Fill the water until the water level is higher than the suction inlet
The drain plug cannot be opened and closed	Please report for repair

※ For other conditions, please refer to the instruction manual





⚠ warn	
!	A gap must be ensured between the bathtub and the tiles, and this gap must be filled with non-alcoholic silicone
!	The tub can only be used after the silicone is dried for 24 hours.

Bathtub installation and tools



<p>1</p> 	<p>B-1</p> 	<p>B-2</p> 
<p>2</p>  <p>Nut Foot Lock the nut B-3</p>	<p>B-3</p> 	<p>B-4</p> 
<p>3</p>  <p>Drainer Power</p>	<p>B-5</p> 	<p>B-6</p> 
	<p>B-7</p> 	<p>B-8</p> 
	<p>B-9</p>  <p>2000mm</p>	<p>B-10</p>  <p>H05VVf 3 X 1.5mm² φ8 ~ 9mm</p>
	<p>B-11</p>  <p>silica gel</p>	




Safety Precautions



Please be sure to read this manual carefully before construction, and install it correctly according to the content of this installation manual.
Be sure to follow safety warnings and precautions.




 warn	<p>Indicates that there is a risk of death or serious injury if used incorrectly.</p>
 note	<p>It means that if used incorrectly, there is a risk of injury to personnel or damage to goods.</p>

• The matters to be observed are categorized by a graphic sign and the following instructions are made.

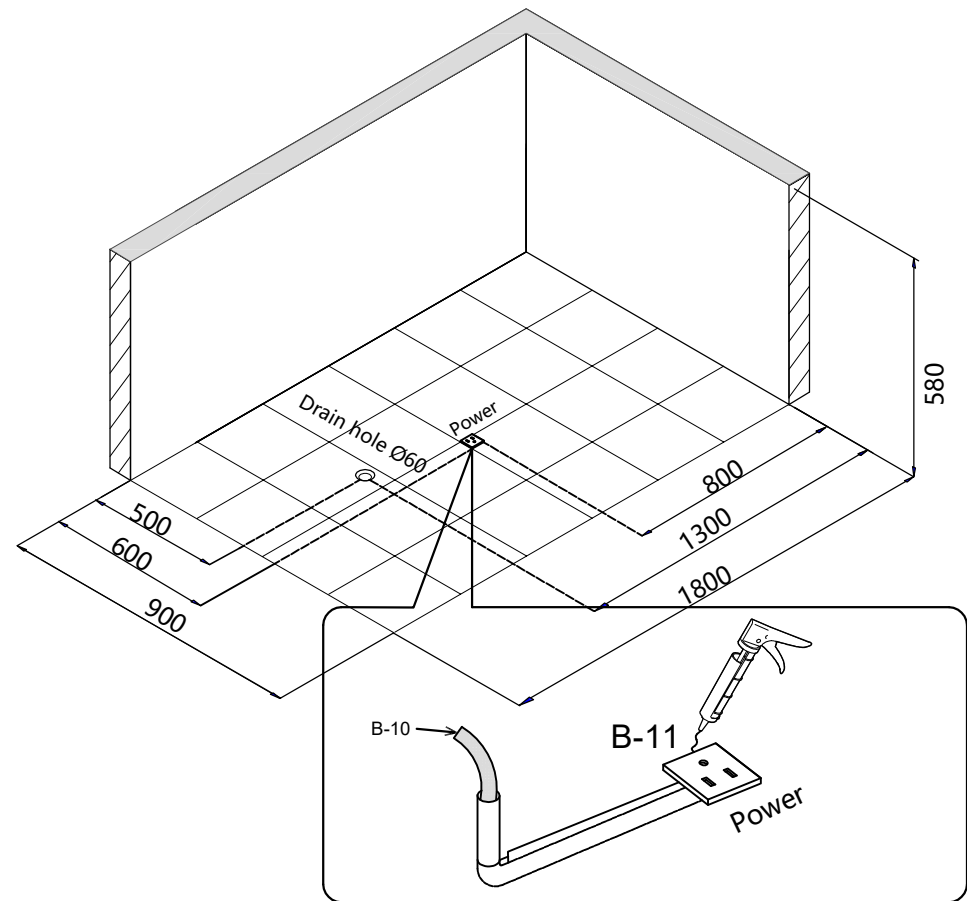
Legend of the graphic sign	The meaning of the graphic sign
	<p>It is "prohibited" content.</p>
	<p>! is a "mandatory" content that must be performed.</p>




 warn	
 forbid	<p>Please do not stand on the bathtub to work</p> <ul style="list-style-type: none"> It is easy to slip under the feet and cause injury, or damage to the product <p>Install only the parts that come with the product or the specified parts, and do not modify the parts</p> <ul style="list-style-type: none"> In particular, please do not change the dimensions of the product. <p>Do not use the power cord roughly, such as bending it or placing heavy objects on top of it</p> <ul style="list-style-type: none"> Failure to do so may result in electric shock in a fire.
 Must be complied with	<p>Follow the installation instructions to install correctly</p> <ul style="list-style-type: none"> When installed incorrectly, it can lead to electric shock or fire. In addition, there is a possibility that water leakage may stain or corrode the contents of the home. <p>Install the drainage piping correctly according to the procedures</p> <ul style="list-style-type: none"> If the construction is not done well, there is a possibility that the contents of the home may be soiled or corroded due to water leakage. <p>After unpacking, please clean up the useless packaging materials quickly</p> <ul style="list-style-type: none"> Wooden frames, nails, cardboard boxes, plastic wrap, fastening straps, etc. can cause injury. In addition, children playing with packaging materials may cause accidents such as suffocation. <p>All work on the electrical system should be carried out by a professional electrical engineer</p> <ul style="list-style-type: none"> If it is not installed correctly, personal injury or financial loss may occur. <p>Install circuit breakers and leakage loop safety devices (GFCI) on all electrical equipment in the bathtub</p> <p>The bathtub is installed on the tap water appliance for drinking water</p> <p>Ground wire must be connected (grounding)</p> <p>Voltage: Please use the specified AC voltage</p> <ul style="list-style-type: none"> Failure to do so may result in breakage, malfunction and fire of the unit. <p>After construction, the normal operation of the circuit breaker and the leakage circuit safety device (GFCI) must be confirmed.</p> <ul style="list-style-type: none"> If the GFCI is not functioning properly, it may lead to electric shock and fire.

 warn	
 Must be complied with	When installing the bathtub, please follow the installation instructions correctly in a stable place that is sufficient to bear its weight • Otherwise, it is easy to fall and fall out of the bathtub, resulting in injury.
	When connecting the wiring, make sure that the power supply is not connected • Failure to do so may result in electric shock.
	During transportation and installation work, avoid working with a body weight • Please make sure that your feet are safe and secure. The operation needs to be carried out with the cooperation of multiple people, otherwise it may lead to accidents or injuries.
Pay attention to the local accident prevention regulations and building standards regulations, health and environmental protection regulations in force during installation.	

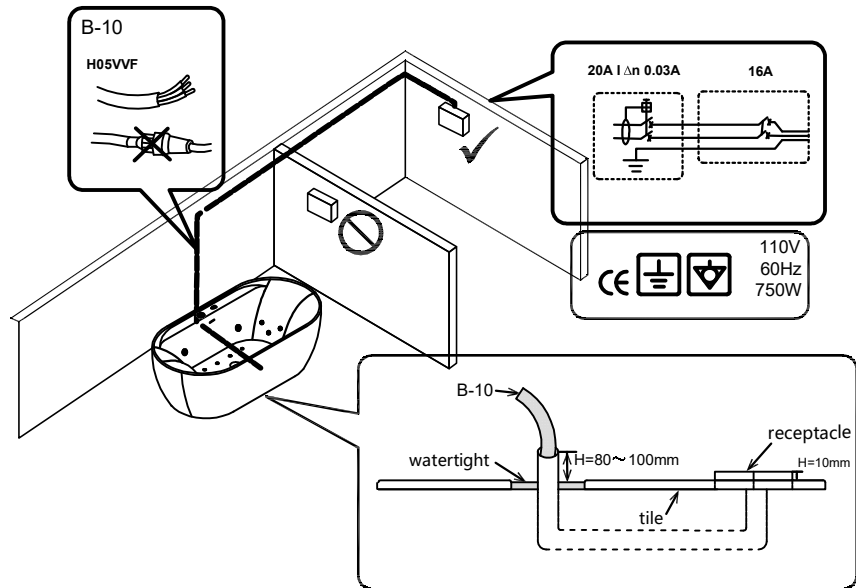
 note	
 forbid	Do not place stepstools or heavy objects on the edge of the bathtub • Failure to do so may result in breakage of the bathtub.
	Do not drop hard or heavy objects in the bathtub or collide with the bathtub • Otherwise, there is a risk that the bathtub may crack and cause injury, or that water leaks and stain or corrode the contents of the home.
	Do not place heat sources nearby Don't smoke • Failure to do so may result in injury.
 Must be complied with	Do not install the bathtub outdoors or in places that are usually exposed to sunlight (solariums, etc.) • Otherwise, it may cause damage and discoloration due to freezing.
	When carrying the bathtub, do not hold hoses or pipes in your hands, and do not bump into hard objects.
	When opening the box, check whether the included parts and bathtub are damaged, and do not use damaged parts • Replace damaged parts.
If the bathtub is installed in a place where water leakage may cause disaster, the floor must be waterproofed • Otherwise, in the event of a water leak, the downstairs may be damaged.	
The protective film of the bathtub is removed after the construction is completed	
Make sure there is enough space for the use and management of the bathtub	
Before installation, confirm the tightness of each part • When a water leak is detected, solve the cause of the leak.	

Hydropower construction



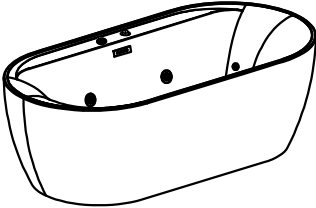
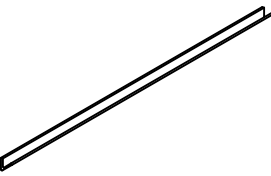

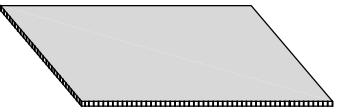


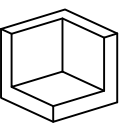
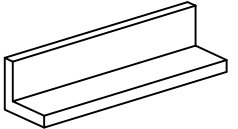
-  Pay attention to waterproofing the water pump socket and air pump socket.
-  Keep the water pump and air pump socket at least 300mm away from the floor drain.
-  On-site construction must be done with direct drainage.

Electrical construction



- ! The circuit breaker should be pulled down before the operation is carried out
- ! The product should be protected by a circuit breaker ($I_{\Delta n}$ 0.03A and a 20 A action switch and a 16 A magnetic thermal switch) and a leakage loop safety device (GFCI). Both types of switches should be installed on the outside of the bathroom
- ! Fixed wiring should be applied to supply power to the bathtub. Do not install power cord lap extension, adapt, use a complete 1 wire
- ! When installing the bathtub, it should be installed in a protective area to avoid people from touching the electrical installation from the bathtub
- ! When the bathtub power cord is buried under the mounting surface, use a protective hose with an inner diameter of 20mm or more.

What's in the package:

<p>A-1 : bathtub</p>  <p>1pcs</p>	<p>A-2 : Polyethylene foam</p>  <p>2pcs</p>
<p>A-3 : Installation instructions</p>  <p>1pcs</p>	<p>A-4 : Honeycomb cardboard</p>  <p>1pcs</p>
<p>A-5 : Triangular cardboard</p>  <p>4pcs</p>	<p>A-6 : PE packaging bags</p>  <p>1pcs</p>
<p>A-7 : Polyethylene foam corner protectors</p>  <p>4pcs</p>	<p>A-8 : Polyethylene foam wraps</p>  <p>6pcs</p>

project		specification
Outer dimensions (mm)		1800mm (long)× 900mm (wide)× 580mm (high)
Bath depth		430mm
Full water capacity		190L
weight		63kg
Material		Fiberglass reinforced plastic bathtub Surface Material (Acrylic)
Drainage method		Usually drainage + overflow drainage
Drain plugs		Push-type drain plug
Drainage capacity (with return bend)		48 L/min
Overflow capacity (with return bend)		48 L/min
Bubble massage	Number of outlets	8 places
Back spa (Recycling)	Number of inlets	1 place
	Number of outlets	6 places
Water Magic Massage (Recycling)	Number of outlets	4 places
LED underwater lights	Irradiated part	1 place
	Irradiation color	RGB mode
controller		Press-on
Rated voltage		AC 110V
Rated frequency		60Hz
Current rating		16A
Rated power consumption		750W

Functional description and dimensional drawing

