

WARREN HEADBOARD

ASSEMBLY INSTRUCTIONS

Before assembling your headboard, please read through these instructions carefully and familiarize yourself with the different parts.

ATTENTION! If you receive a damaged or defective item, please contact



PARTS LIST

- ① LEFT POST 1 PC
- ② RIGHT POST 1 PC
- ③ TOP RAIL 1 PC
- ④ MID RAIL 1 PC
- ⑥ BOTTOM RAIL 1 PC

Instructions apply for bed sizes
TWIN > FULL > QUEEN

HARDWARE

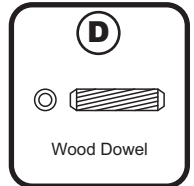
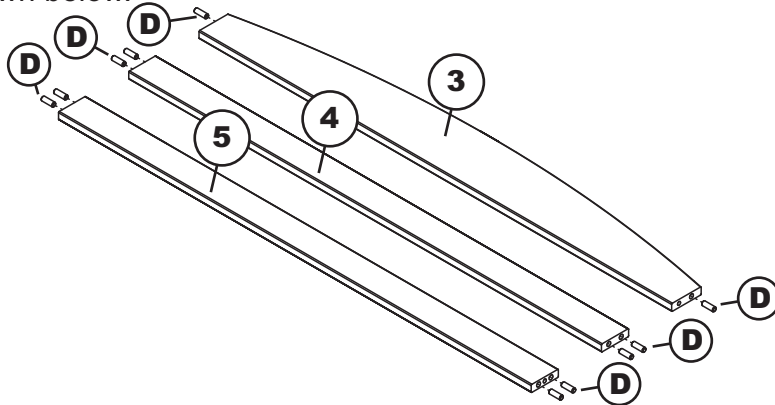
- ① JCB M6 X 110mm - 4 pcs
Spare - 1 pc
 - ② Barrel Nut - 4 pcs
Spare - 1 pc
 - ③ JCB M8 X 15mm (5/8") - 4 pcs
Spare - 1 pc
 - ④ Wood Dowel - 10 pcs
Spare - 1 pc
 - ⑤ Allen wrench - 1pc
Spare - 1pc
- Assembly headboard to open bed frame*

- HARDWARE FOR METAL BED FRAME
- ① JCB M6 X 25mm (1") - 4 pcs
Spare - 1 pc
 - ② Flat washer - 4 pcs
Spare - 1 pc
 - ③ Split washer - 4 pcs
Spare - 1 pc

NOTE: WE INCLUDE SPARE HARDWARE IN CASE DAMAGE OCCURS DURING ASSEMBLY.

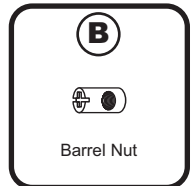
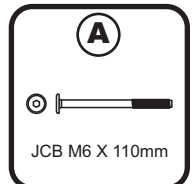
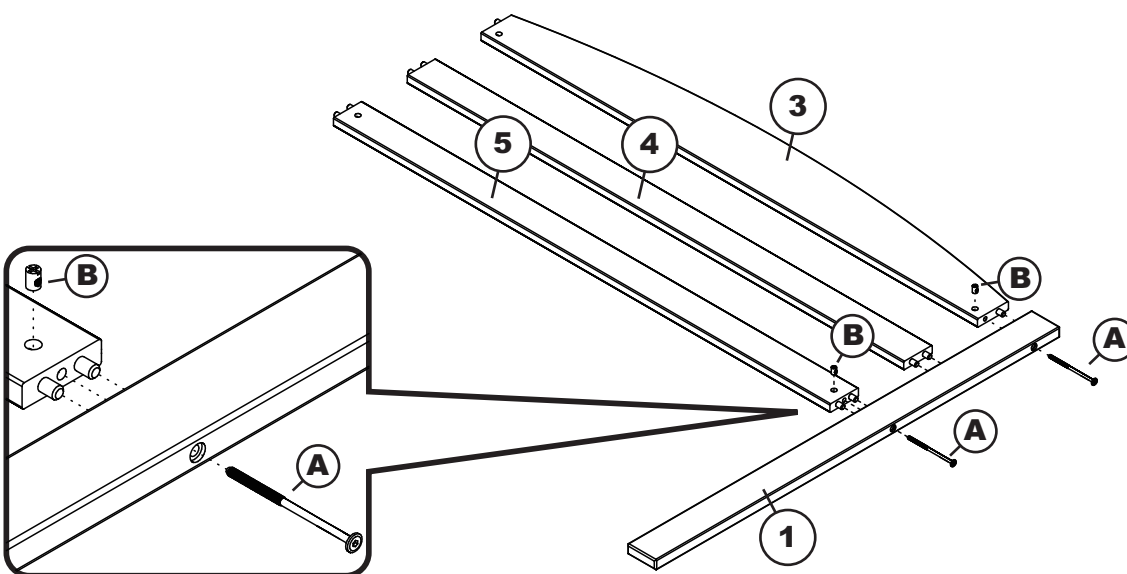
Step 1

Insert all wooden dowels (D) into the locator holes on (3)(4) and(5) as shown below.



Step 2

Lay the left post (1) bracket face down on smooth surface. Connect top rail (3), mid rail (4) and bottom rail (5) as shown below, using JCB M6 X 110mm (A) and barrel nut (B). Tighten with the Allen wrench (E).

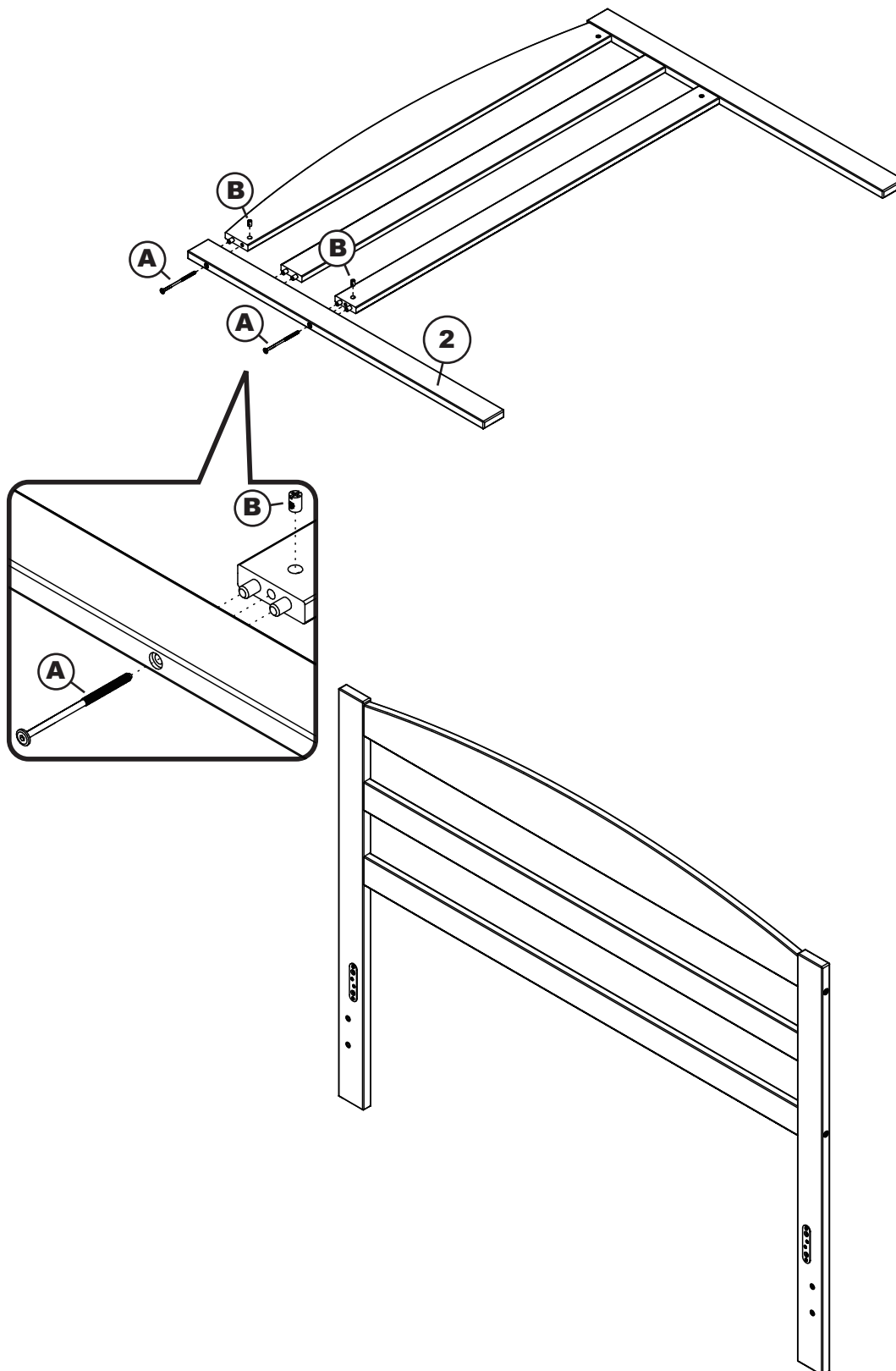


PO:

WARREN HEADBOARD

Step 3

Attach the right post (2) to headboard assembly as shown below, using JCB M6 X 110mm (A) and barrel nut (B). Tighten with Allen wrench (E)



Adult assembly

A



JCB M6 X 110mm

B



Barrel Nut

FOR BED FRAME ASSEMBLY follow assembly instructions included with your bed frame.
If you purchased a wood headboard to attach to metal bed frame, please refer to page 3.

ATTACHING HEADBOARD TO METAL BED FRAME

ASSEMBLY INSTRUCTIONS

Before assembling your bed, please read through these instructions carefully and familiarize yourself with the different parts.

Instructions apply for bed sizes
Twin > Full > Queen

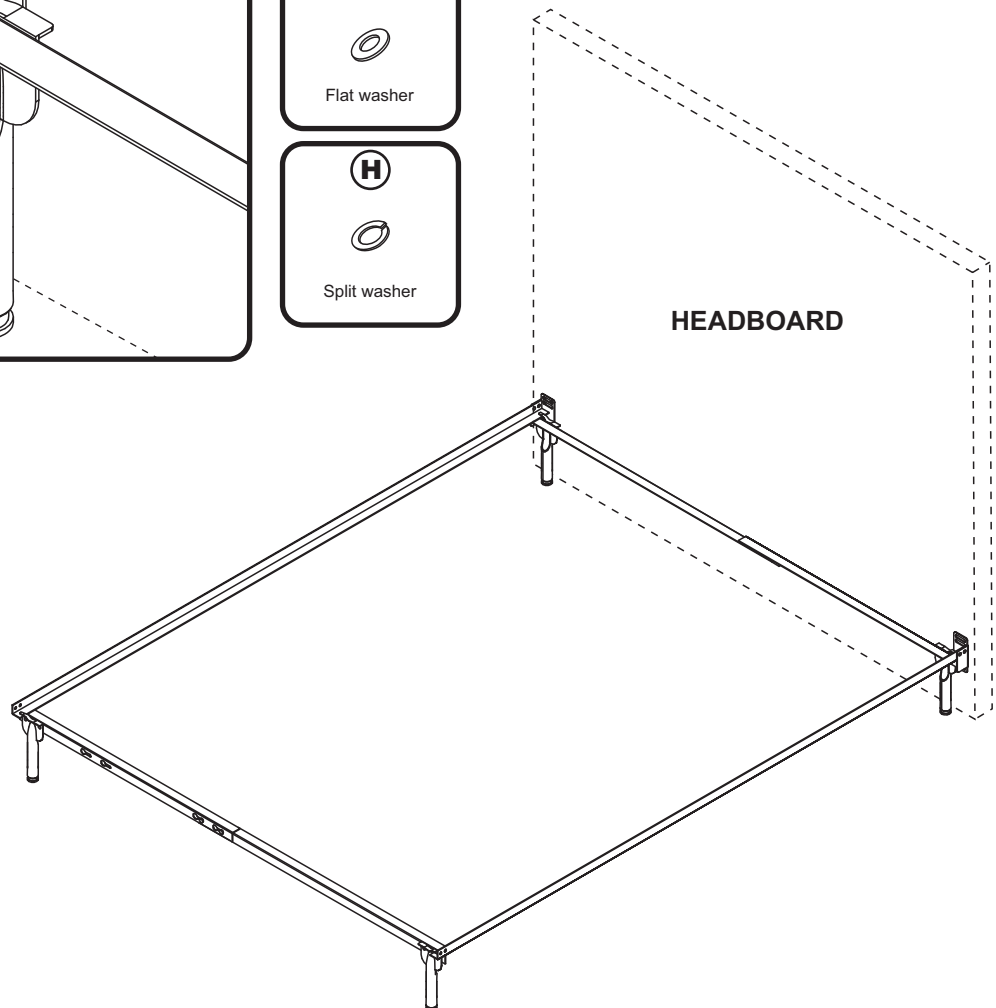
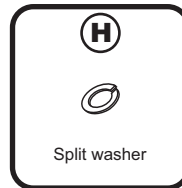
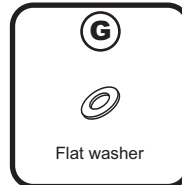
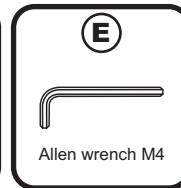
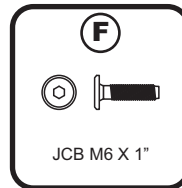
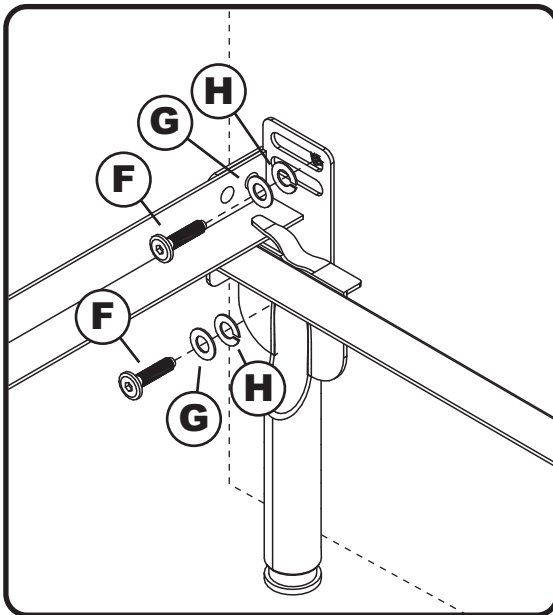


Adult assembly

Metal bed frames are sold separately from wood headboards. The hardware shown on this page is supplied with your wood headboard for attaching the bed frame to the headboard. The metal bed frame is supplied with its own assembly instructions and hardware.

Step 1

Attach the headboard assembly to the metal bed frame using JCB M6 X 1" (F), flat washer (G), and split washer (H) then tighten with Allen wrench (E) as shown below.



Congratulations!

Your bed is now ready for use.

To ensure lasting safety, we recommend that you periodically check that all screws are tight and all parts are secure.