



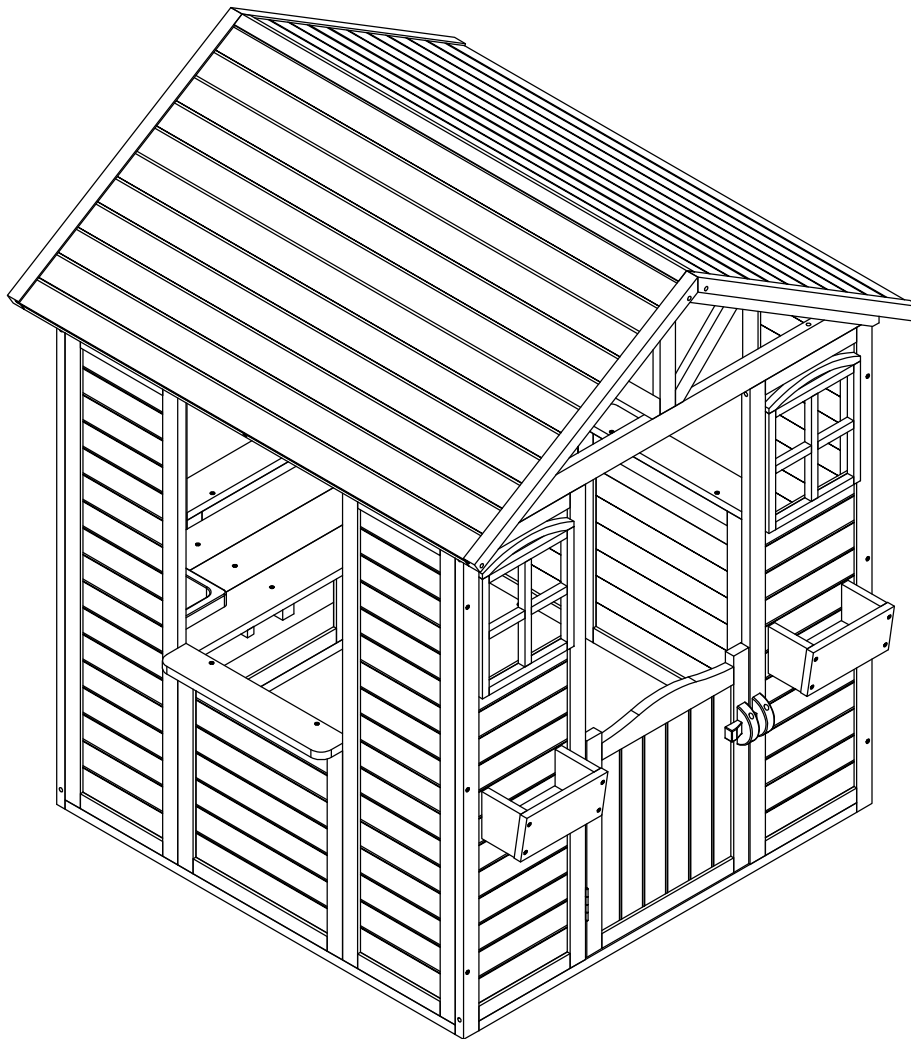
WARNING:

Must be assembled by an adult.

WOODEN PLAYHOUSE

ASSEMBLY INSTRUCTION

MODEL: PXXZOT050



PLEASE SAVE THESE INSTRUCTIONS

**WARNING: READ THIS OWNER'S MANUAL
CAREFULLY BEFORE USE.**

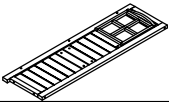
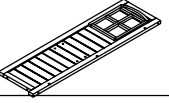
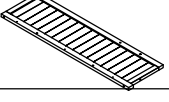
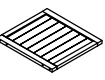
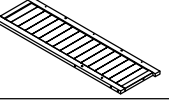
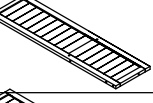

PRODUCT SPECIFICATION


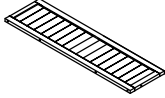
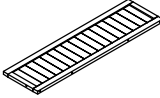

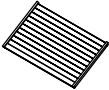



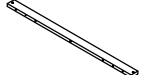
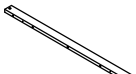
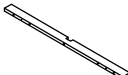
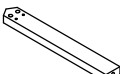
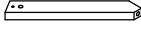

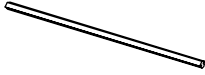



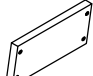
Product Name	Wooden Playhouse
Material	Nordic Imported Spruce
Model Name	PXXZOT050
Weight	74.7 Pounds(33.9kg)
Size	45 x 42 x 55 Inches
Included Accessories	Sink、Kitchenware、 Cutlery、Telephone

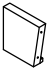
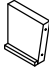
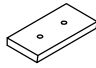
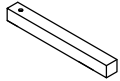


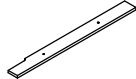
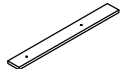
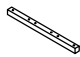
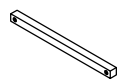
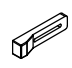

ATTENTIONS:

- 1.Please check the manual carefully and make sure you have received all the parts.
- 2.If anything is missing, please tell us the letter of the part you need.
- 3.If there is any damage, please send clear photos to us, we will check and offer you the best solution soon.




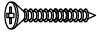
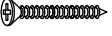

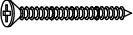
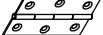


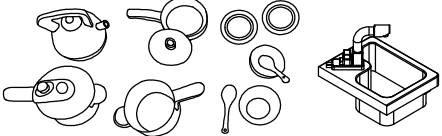

Parts Identification

Part Number	Description	Quantity	Parts Diagram
01	Front left frame	1	
02	Front right frame	1	
03	After left frame	1	
04	After the mid-frame	1	
05	After the right frame	1	
06	Left rear frame	1	
07	Right rear frame	1	

Part Number	Description	Quantity	Parts Diagram
08	Left and right middle frame	2	
09	Left Front frame	1	
10	Right front frame	1	
11	Door frame	1	
12	Inclined cover plate frame	2	
13	Cross bar at front bottom	1	
14	Rear cross bar	1	
15	Side Bottom horizontal bar	2	
16	Front cross bar	1	
17	Back up horizontal bar	1	
18	Side Bar	2	
19	Middle support bar	2	
20	Left diagonal support ba	2	
21	Right diagonal support bar	2	
22	Top Beam	1	
23	Left inclined beam	2	
24	Right inclined beam	2	
25	Balcony panels	3	
26	Flower Basket front plate	2	

Part Number	Description	Quantity	Parts Diagram
27	Flower Basket left board	2	
28	Flower Basket right side plate	2	
29	Flower Basket Bottom Plate	2	
30	Tripod cross ba	2	
31	Tripod vertical bar	2	
32	Tripod slant	2	
33	Laminate one	1	
34	Laminate two	2	
35	Fixed strip of laminate	2	
36	Side bracket of laminate	2	
37	Door plug	1	
38	Fixed bar for door insert	2	

Hardware Identification

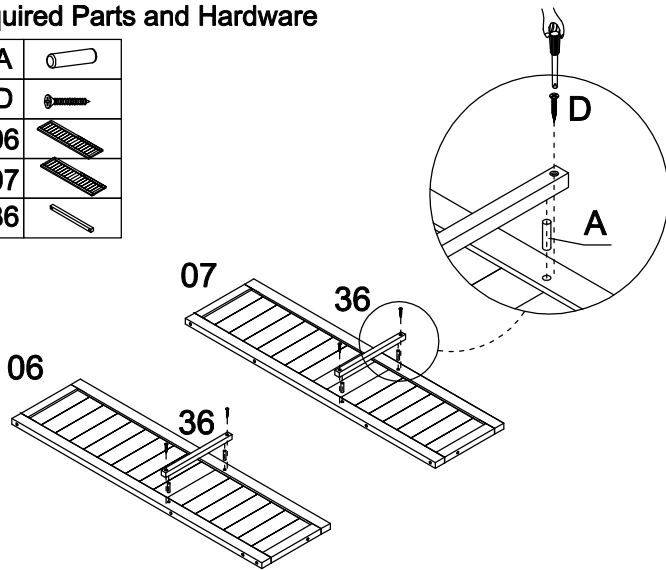
Part Number	Description	Quantity	Parts Diagram
A	Wooden tenons (M8x25)	76+5	
B	Wood screw (3.0*14)	12+1	
C	Wood screw (4*25)	14+1	
D	Wood screw (4*30)	34+3	
E	Wood screw (4*35)	36+3	
F	Wood screw (4*40)	18+1	
G	Wood screw (4*50)	12+1	
H	Hinge	2	
I	screws (M6x25)	8	
J	Hexagon socket wrench	1	
K	Kitchen utensils	1	
L	Telephone	1	

Installation Steps

Step 1

Required Parts and Hardware

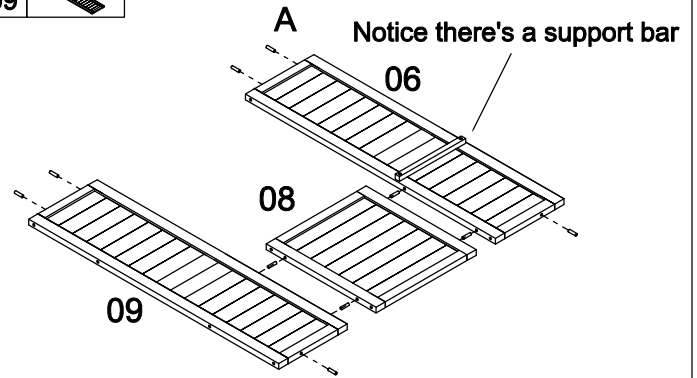
4*A	
4*D	
1*06	
1*07	
2*36	



Step 2

Required Parts and Hardware

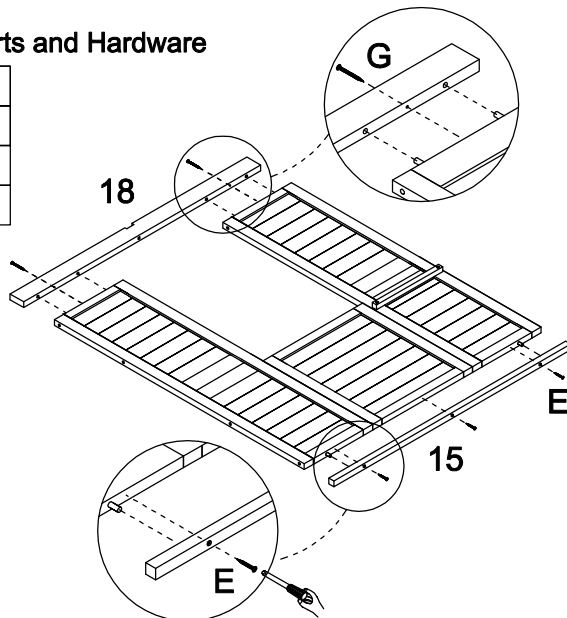
10*A	
1*06	
1*08	
1*09	



Step 3

Required Parts and Hardware

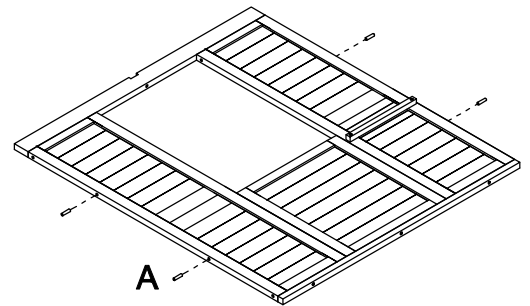
3*E	
2*G	
1*15	
1*18	



Step 4

Required Parts and Hardware

4*A	
-----	--

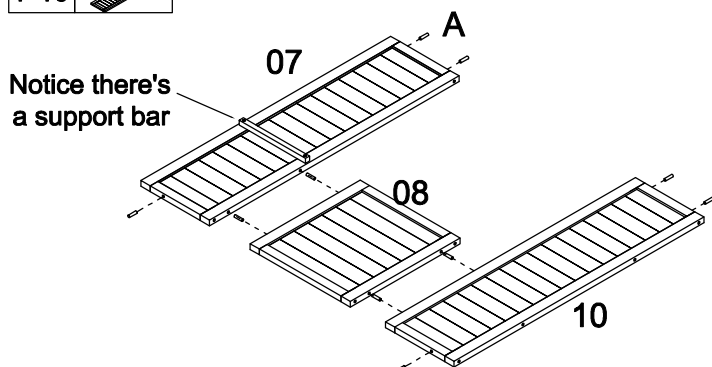


The left wall frame has been installed

Step 5

Required Parts and Hardware

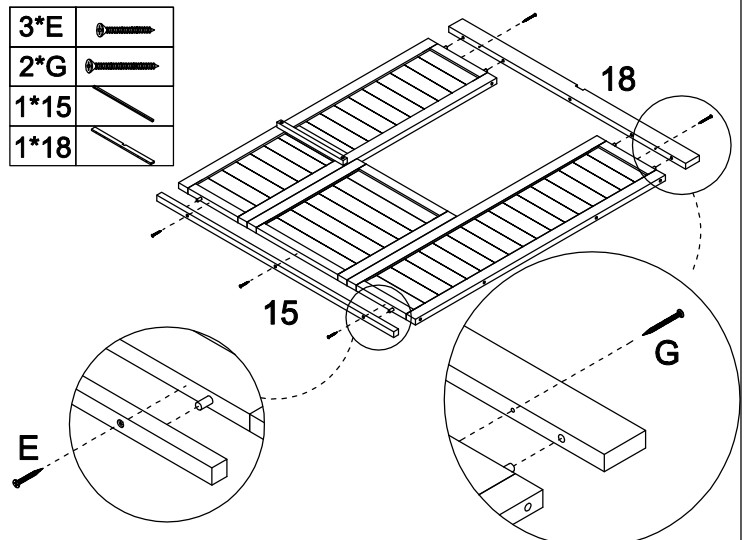
10*A	
1*07	
1*08	
1*10	



Step 6

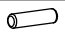
Required Parts and Hardware

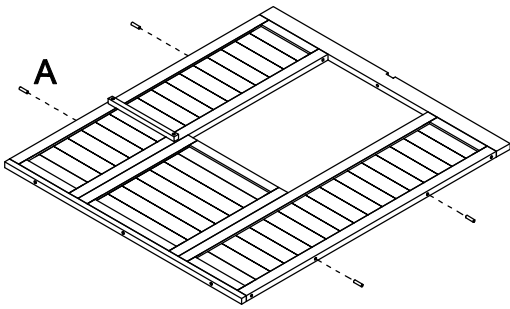
3*E	
2*G	
1*15	
1*18	



Step 7

Required Parts and Hardware

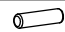



4*A	
-----	---

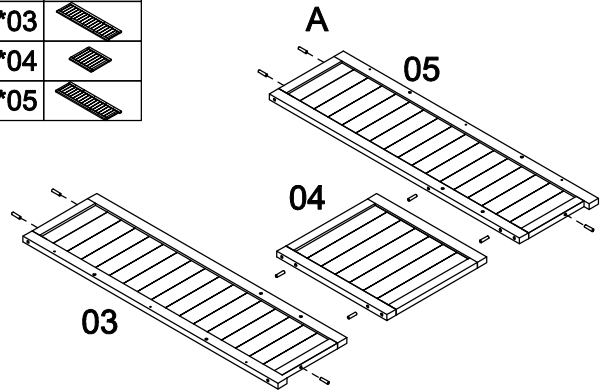


The right wall frame has been installed

Step 8





Required Parts and Hardware

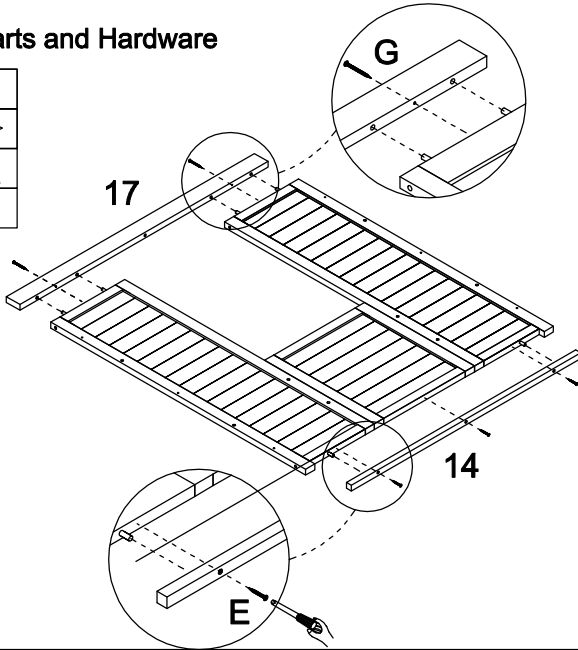
10*A	
1*03	
1*04	
1*05	



Step 9




Required Parts and Hardware

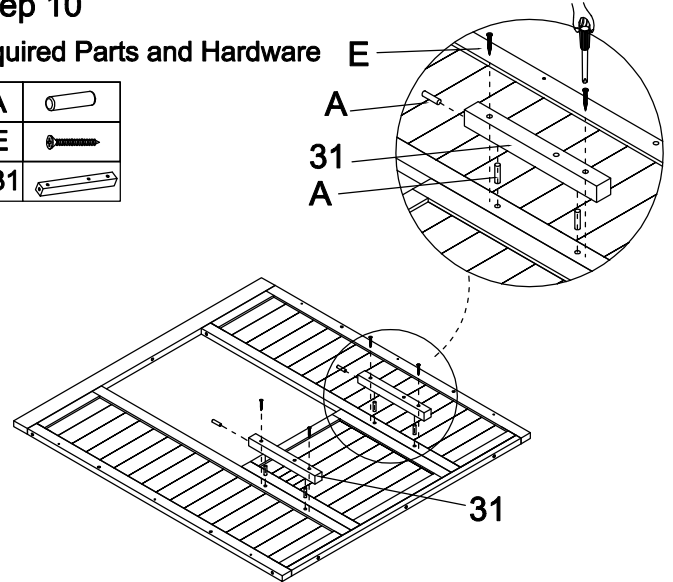
3*E	
2*G	
1*14	
1*17	



Step 10




Required Parts and Hardware

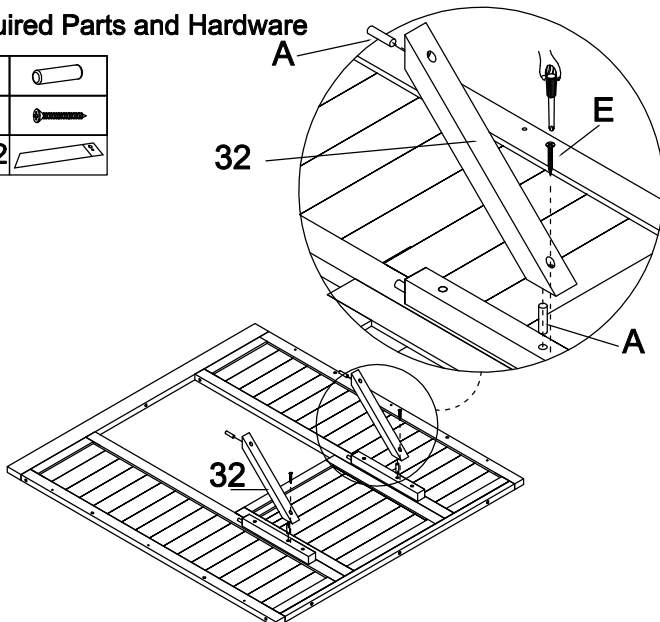
6*A	
4*E	
2*31	



Step 11




Required Parts and Hardware

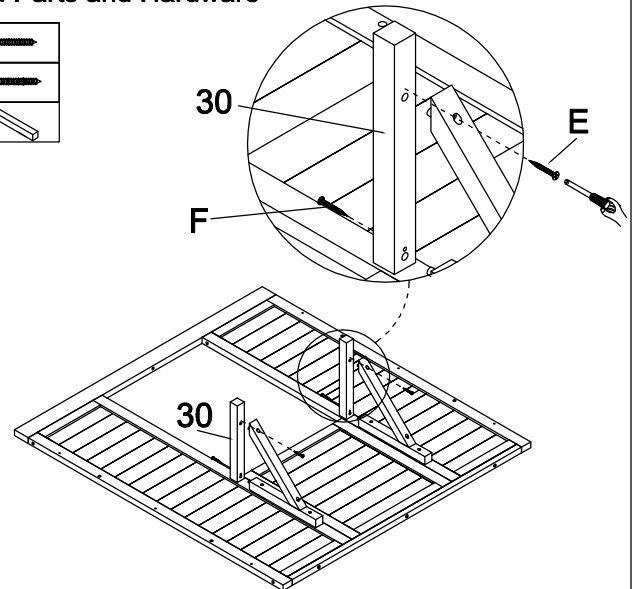
4*A	
2*E	
2*32	



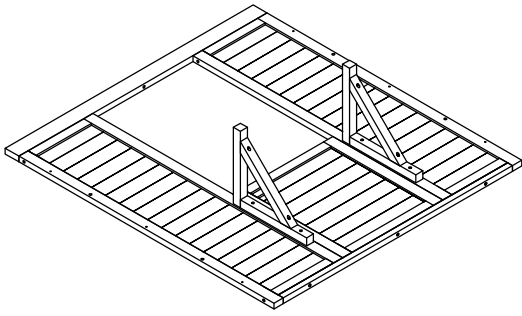
Step 12

Required Parts and Hardware

2*E	
2*F	
2*30	



Step 13

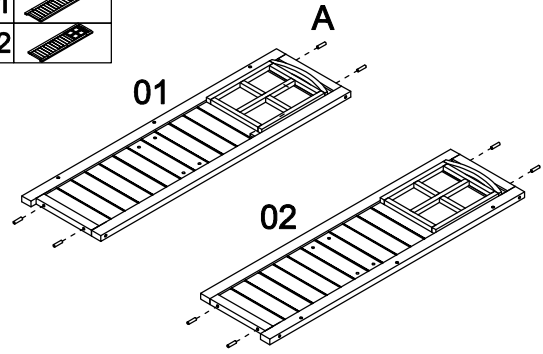


The rear wall frame has been installed

Step 14

Required Parts and Hardware

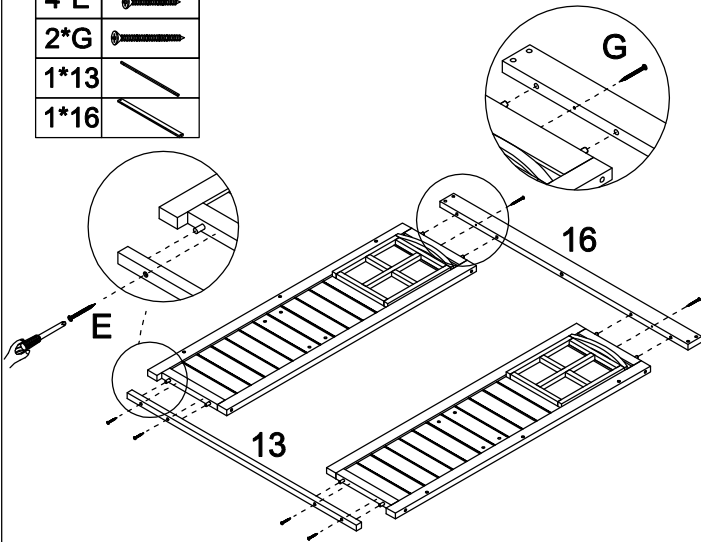
8*A	
1*01	
1*02	



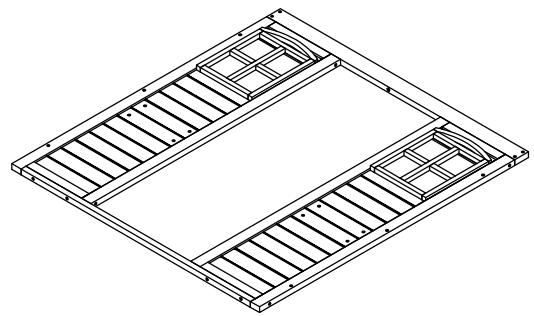
Step 15

Required Parts and Hardware

4*E	
2*G	
1*13	
1*16	



Step 16



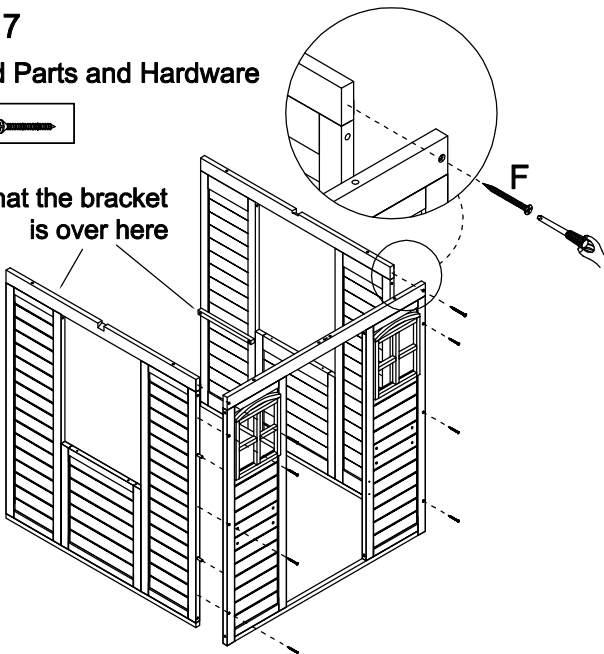
The front wall frame has been installed

Step 17

Required Parts and Hardware

8*F	
-----	--

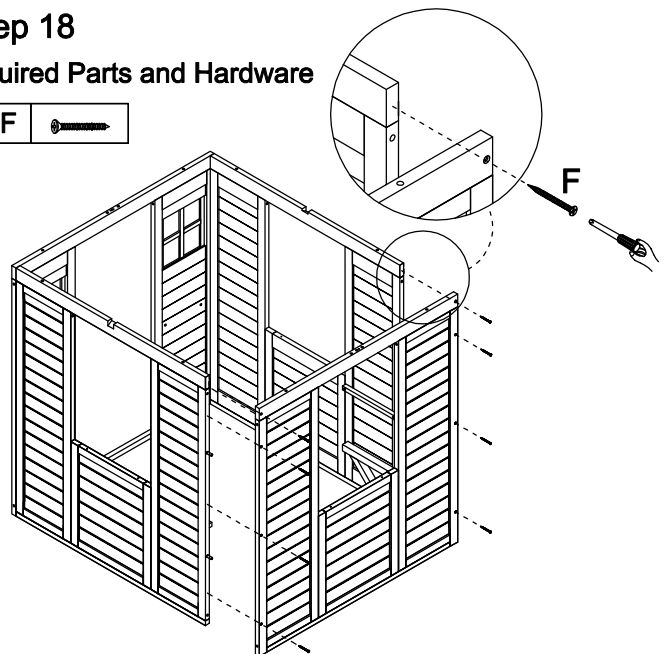
Note that the bracket is over here



Step 18



Required Parts and Hardware

8*F	
-----	--



Step 19





Required Parts and Hardware

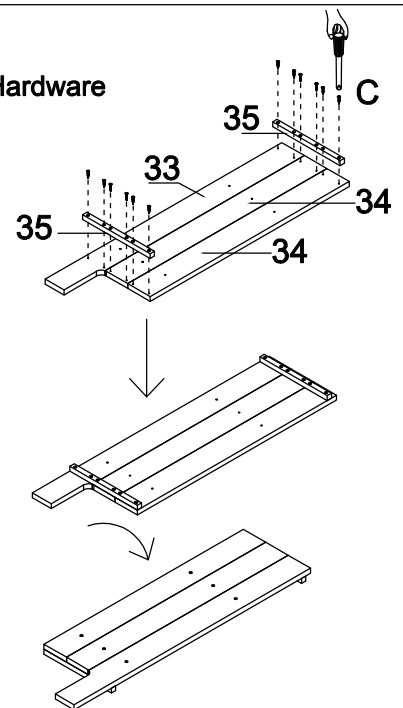
6*E	
3*25	



Step 20


Required Parts and Hardware

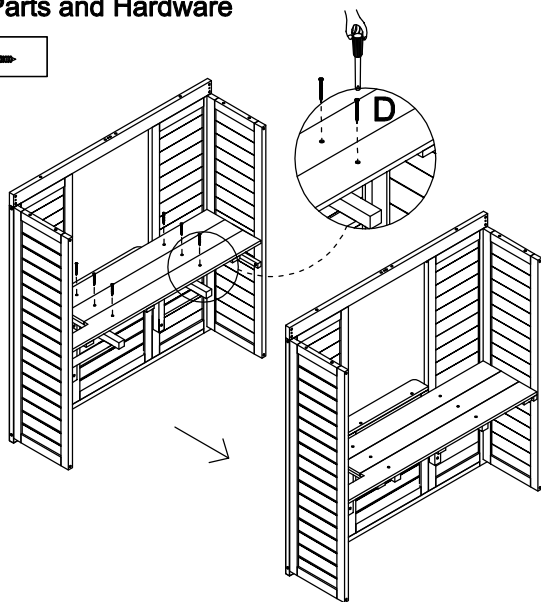
12*C	
1*33	
2*34	
2*35	



Step 21



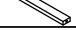
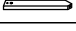
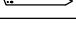
Required Parts and Hardware

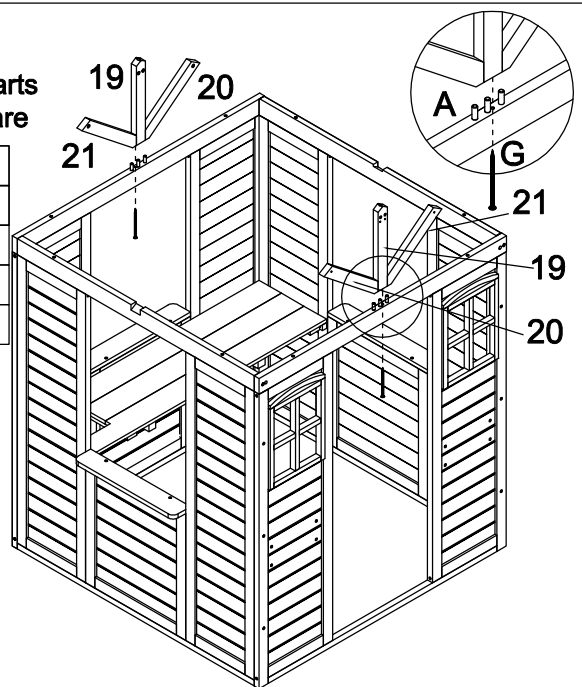
6*D	
-----	---



Step 22

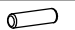


Required Parts and Hardware

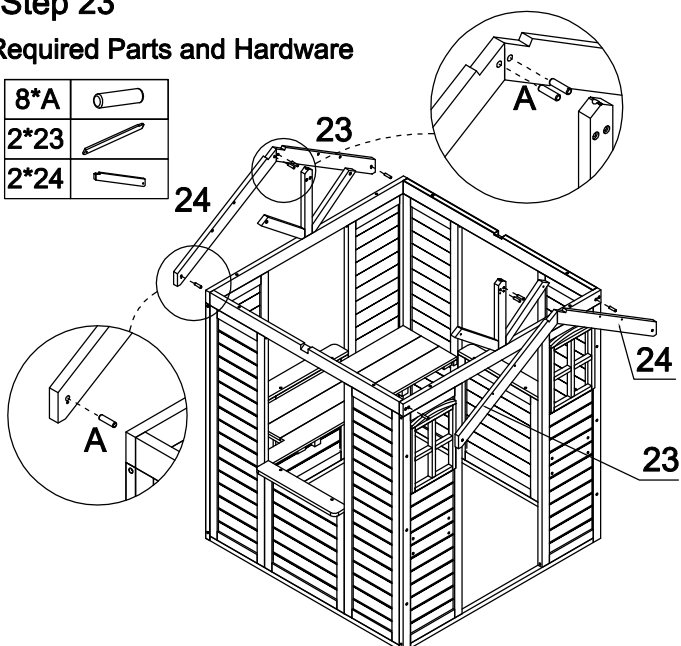
6*A	
2*G	
2*19	
2*20	
2*21	



Step 23


Required Parts and Hardware

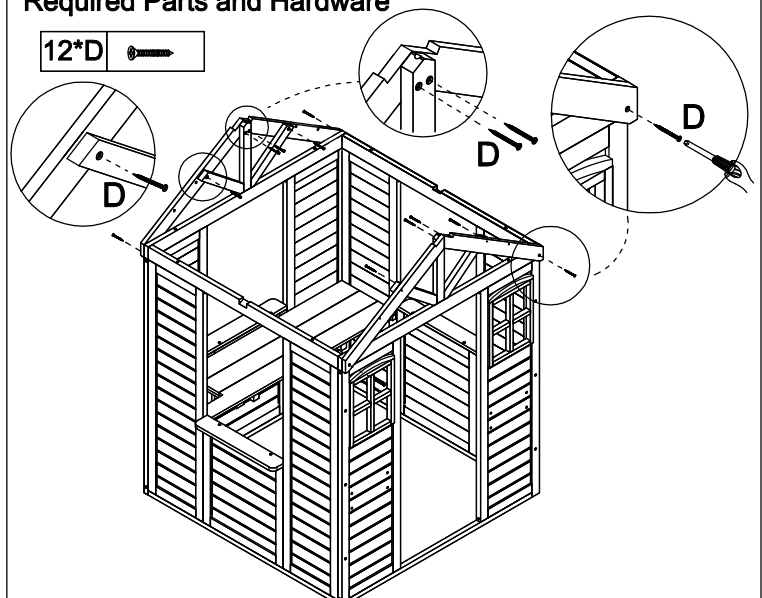
8*A	
2*23	
2*24	



Step 24

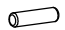



Required Parts and Hardware

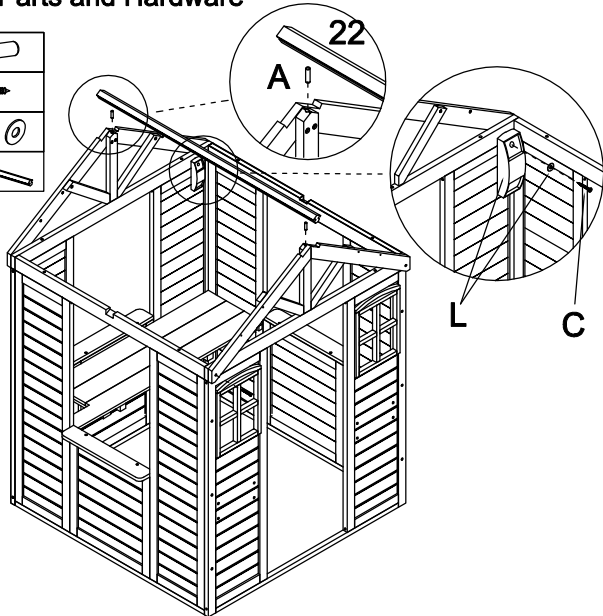
12*D	
------	---



Step 25

Required Parts and Hardware

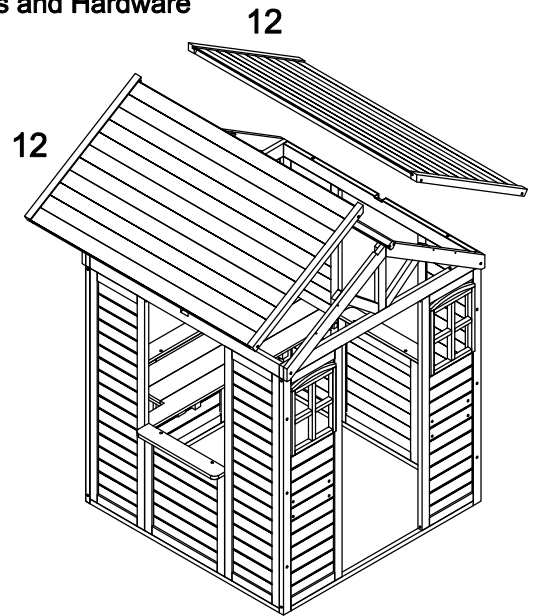
2*A	
1*C	
1*L	
1*22	



Step 26


Required Parts and Hardware

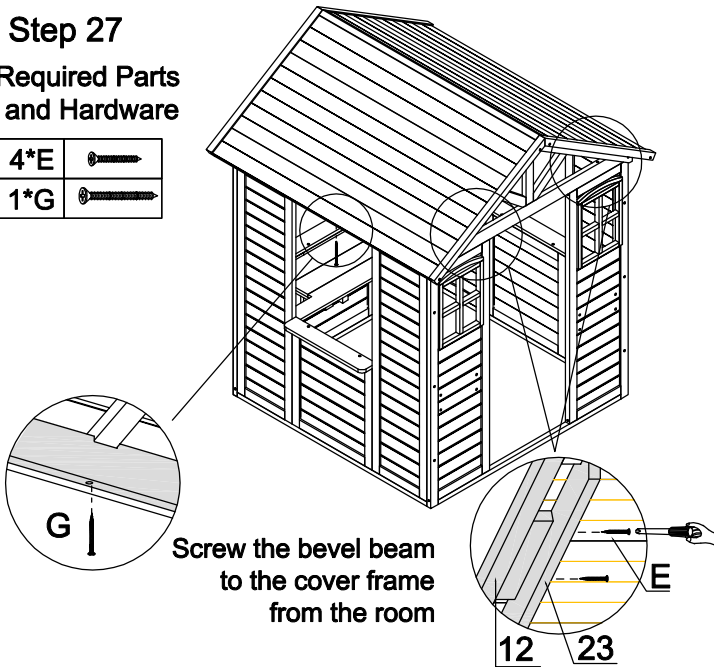
2*12	
------	---



Step 27


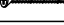
Required Parts and Hardware

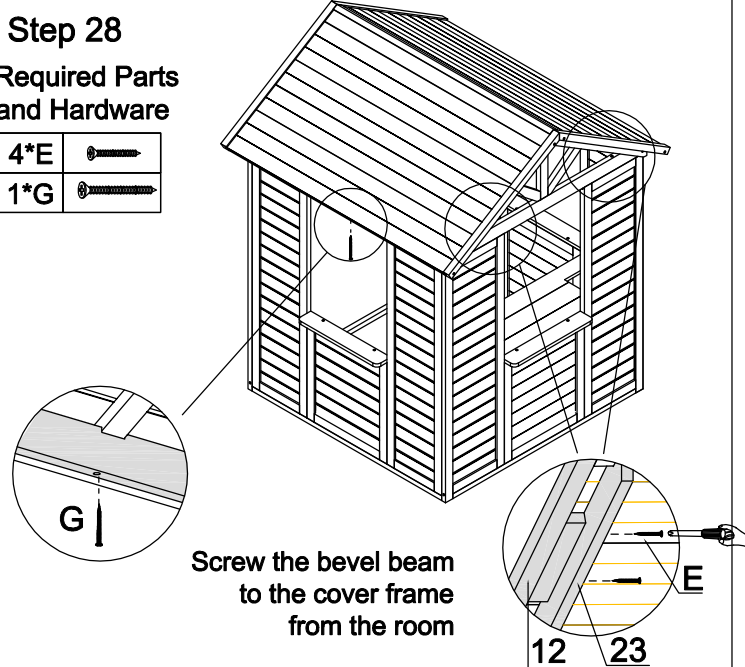
4*E	
1*G	



Step 28


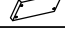



Required Parts and Hardware

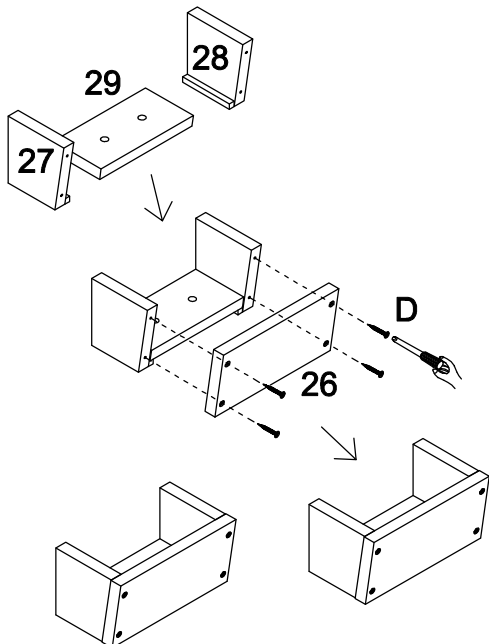
4*E	
1*G	



Step 29



Required Parts and Hardware

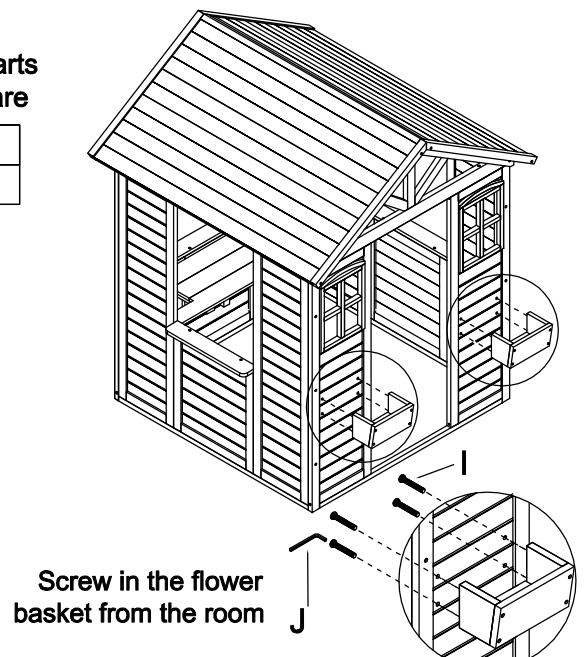
8*D	
2*26	
2*27	
2*28	
2*29	



Step 30



Required Parts and Hardware

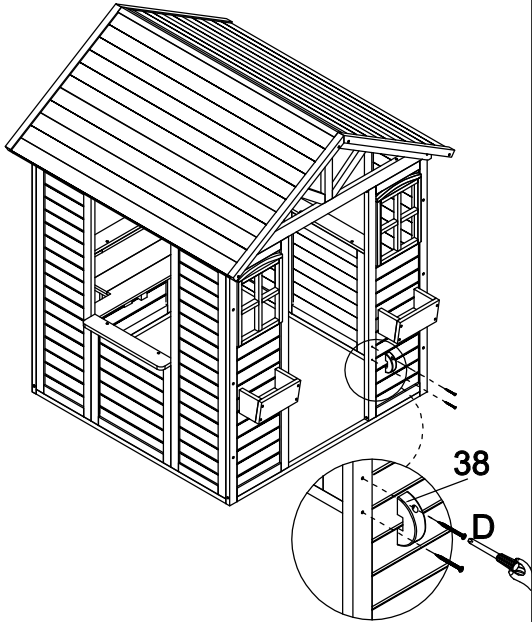
8*I	
1*J	



Step 31




Required Parts and Hardware

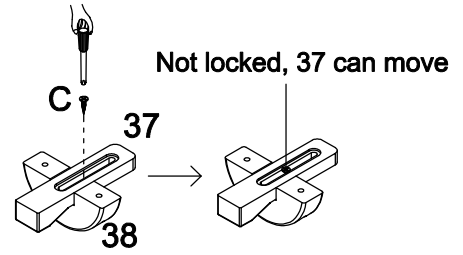
2*D	
1*38	



Step 32





Required Parts and Hardware

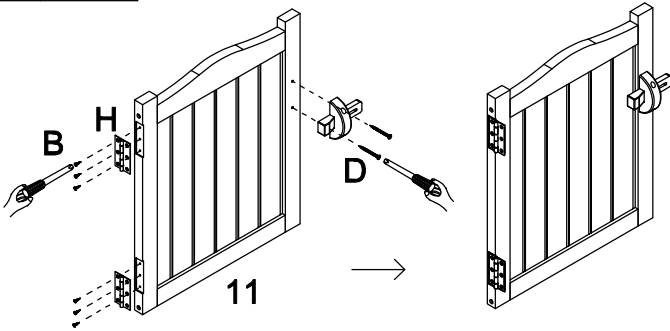
1*C	
1*37	
1*38	



Step 33


Required Parts and Hardware

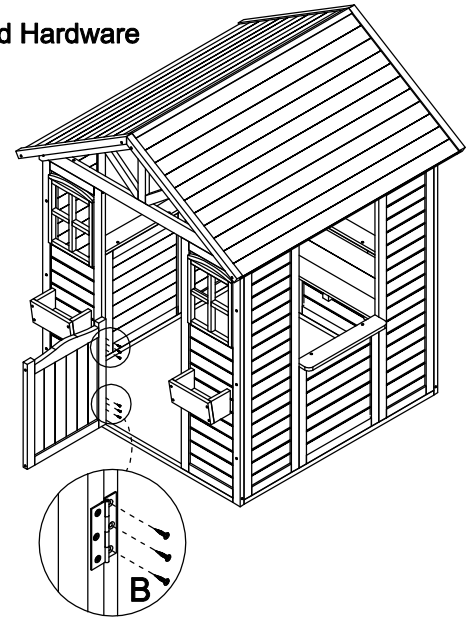
6*B	
2*D	
2*H	
1*11	



Step 34

Required Parts and Hardware

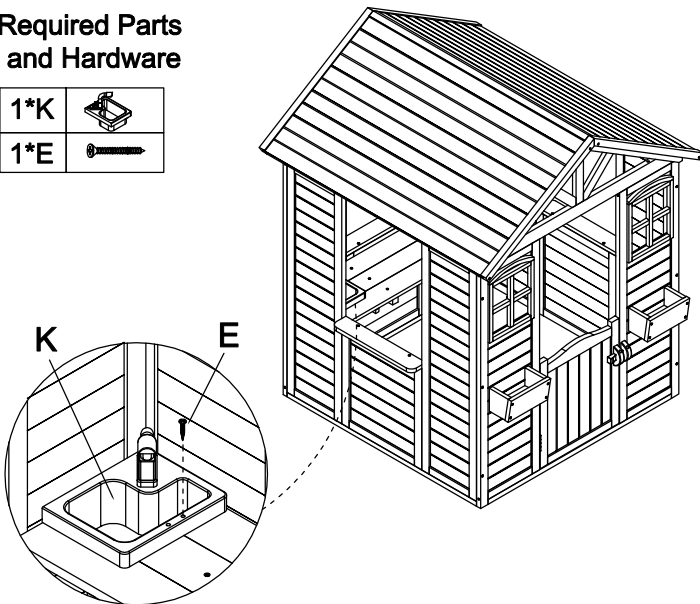
6*B	
-----	---



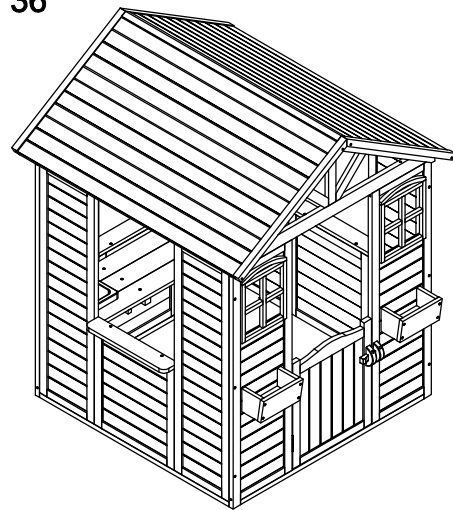
Step 35

Required Parts and Hardware

1*K	
1*E	



Step 36



Installation Completed