

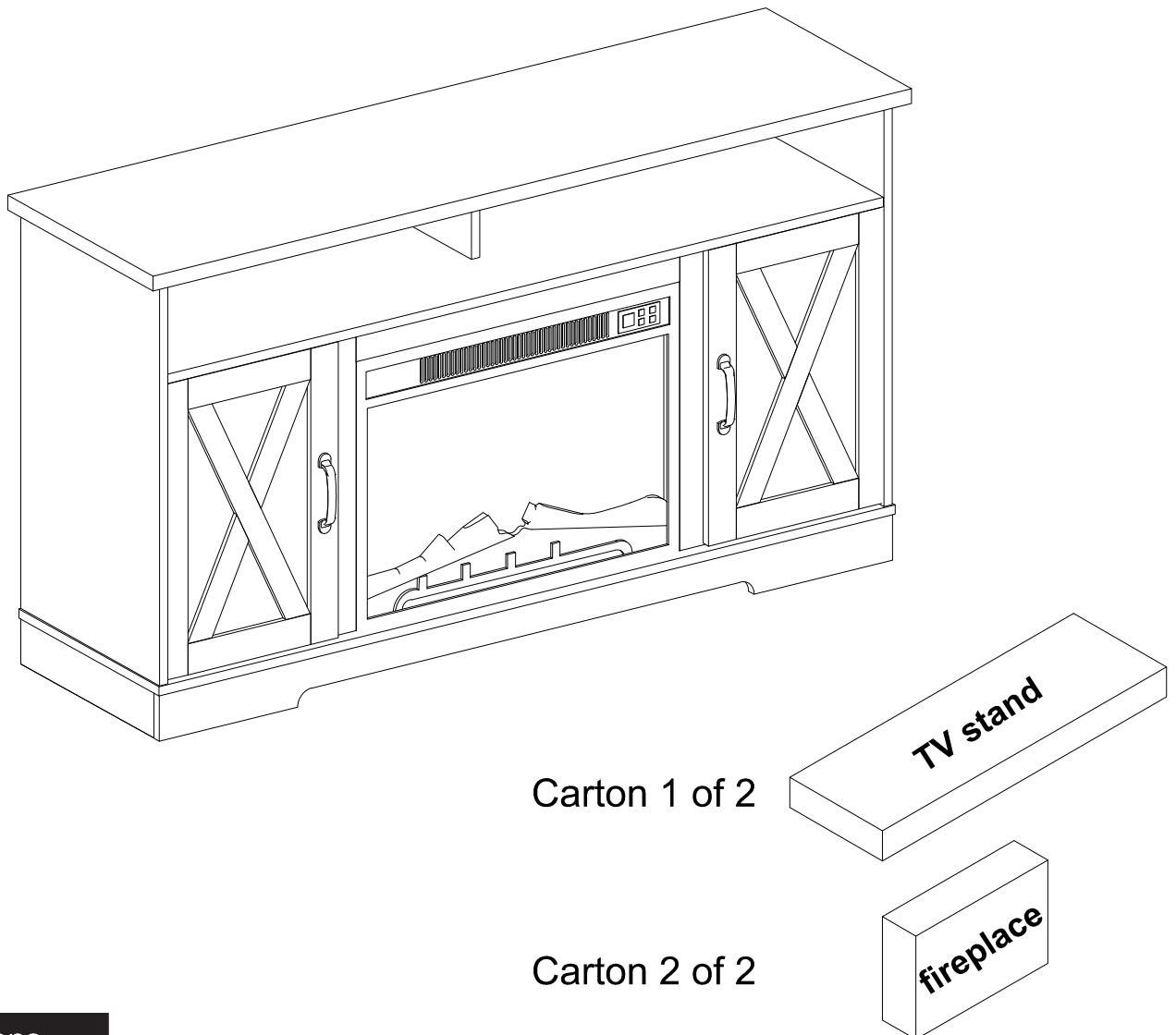
Fireplace TV Stand

Assembly Instructions - Please keep for future reference



Note:

Comes with TWO PACKAGES with TWO TRACKINGS, may NOT be delivered at the same time.



Dimensions

Width - 63inch
Depth - 15.5inch
Height - 30inch

Important – Please read these instructions fully before starting assembly



Safety and Care Advice

Important – Please read these instructions fully before starting assembly

- Check you have all the components and tools listed on the following pages.
- Remove all fittings from the plastic bags and separate them into their groups.
- Keep children and animals away from the work area, small parts could choke if swallowed.
- Make sure you have enough space to layout the parts before starting.

- During assembly do not stand or put weight on the product, this could cause damage.
- Assemble the item as close to its final position (in the same room) as possible.
- Assemble on a soft level surface to avoid damaging the unit or your floor.
- Parts of the assembly will be easier with 2 people.



power drill is set on a low torque setting.

- To reduce the likelihood of damaging your product please ensure that your

Care and maintenance

- Only clean using a damp cloth and mild detergent, do not use bleach or abrasive cleaners.
- From time to time check that there are no loose screws on this unit.
- This product should not be discarded with household waste. Take to your local authority waste disposal centre.

Handy Hints

- Assemble all parts and bolts loosely during assembly, only once the product is complete should you fully tighten the bolts
- Regularly check and ensure that all bolts and fittings are tightened properly.

WARNING In order to help prevent overturning – please follow these instructions

To help prevent product toppling over please follow the below steps:-

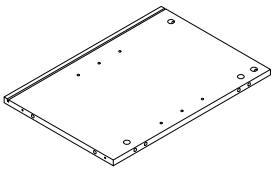
Use the anti tip strap or wall fixing method provided (if applicable)
Do not allow children to climb or hang on the furniture
Do not open more than one drawer at a time
Do not place heavy items in the top drawers
Do not place heavy items on top of the furniture, unless the furniture has been designed for this purpose

please note that only the anti tip strap is provided.

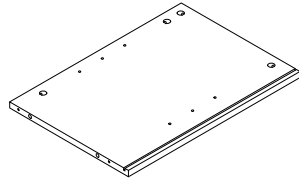
You will need to provide wall plugs and screws applicable for your wall type

Components - Panels

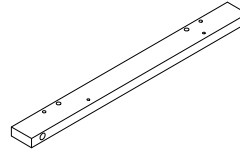
Please check you have all the panels listed below



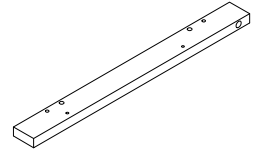
1 (483X340X14mm)X1



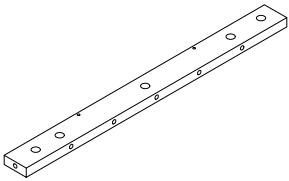
2 (483X340X14mm)X1



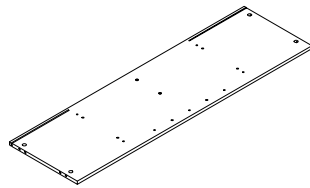
3 (483X60X14mm)X1



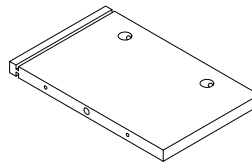
4 (483X60X14mm)X1



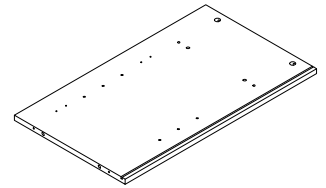
5 (666X45X14mm)X1



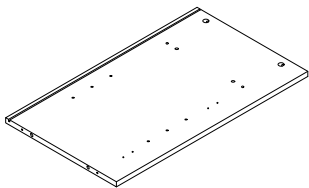
6 (1520X375X14mm)X1



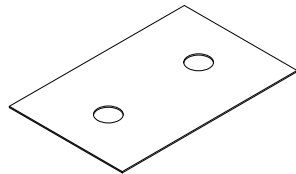
7 (147X240X14mm)X1



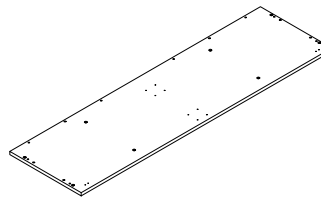
8 (644X377X14mm)X1



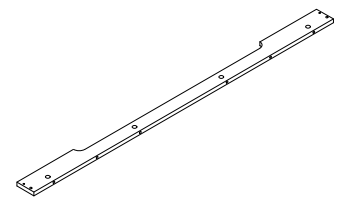
9 (644X377X14mm)X1



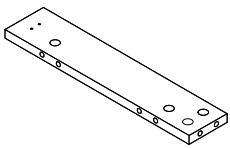
10 (491X376X2.5mm)X2



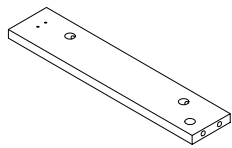
11 (1560X381X14mm)X1



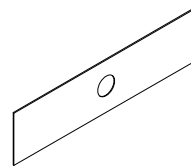
12 (1548X77X14mm)X1



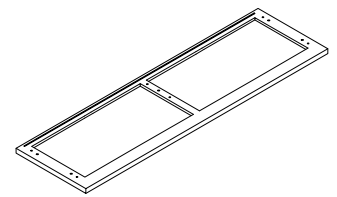
13 (363X77X14mm)X1



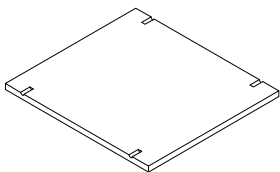
14 (363X77X14mm)X1



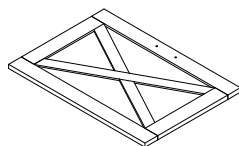
15 (761X155X2.5mm)X2



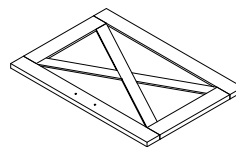
16 (1600X395X24mm)X1



17 (363X339X12mm)X2



18 (477X382X14mm)X1

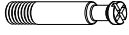


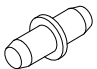

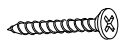



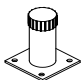

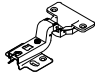
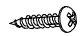
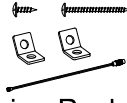


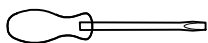
19 (477X382X14mm)X1

Components - Fittings

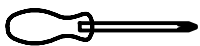
Please check you have all the panels listed below

Note: The quantitie below are the correct amount to complete the assembly. In some cases more fittings may be supplied than are required.

A  Male Cam Lock x 35	B  Female Cam Lock x 35	C  Wooden Dowel x 33
D  Shelf Support Pin x 8	E  3.5*15mm Screw x 32	F  4*50mm Screw x 10
G  Handle & Fixings x 2	H  L Shape Bracket x 2	I  Protective Feet x 6
J  Adjustable Foot x 2	K  Back Panel Stiffener x 16	L  Door Hinge x 4
M  3.5*12mm Screw x 8	N  Wall Fixing Pack x 2	



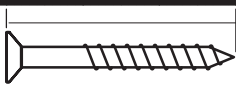
Tools required



Phillips screwdriver
(medium & large)

Ruler - Use this ruler to help correctly identify the screws

0 5 10 15 20 25 30 35 40 45 50 55 60 65 70 75 80 85 90 95 100 105 110 115 120 125 130 135 140 145 150 155 160 165 170



The screws length is measured from the head to the point (30mm screw shown).

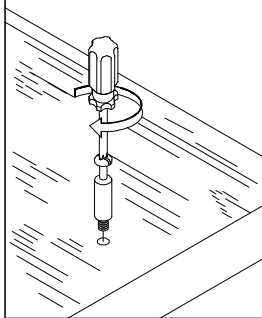
Using Camlocks

Step 1

Connect the male camlock as directed in the assembly instructions using a screwdriver.

1

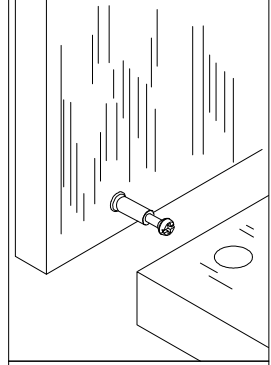
DO NOT OVER TIGHTEN.
NE PAS SERRER EXCESSIVEMENT.



Step 2

Push the male camlock into the entry hole.

2

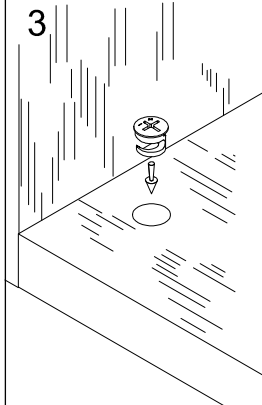


Step 3

Insert the female camlock as shown in the instruction.

Note: ensure that the arrow on the top of the camlock points towards the entry hole for the male camlock.

3



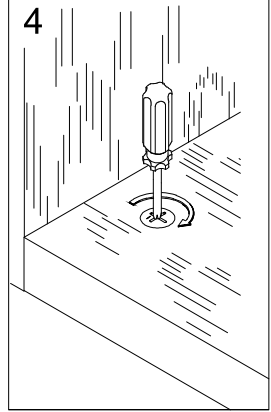
Step 4

Turn the female camlock clockwise with a screwdriver.

You should feel a click when the camlock is locked in place.

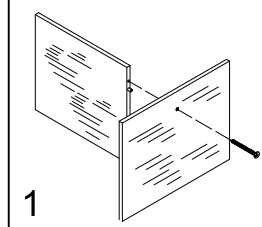
The joint is now secure.

4



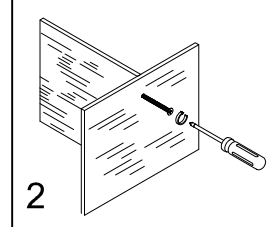
Step 1

1



Step 2

2



Adjusting Hinges

Hinge adjustment:

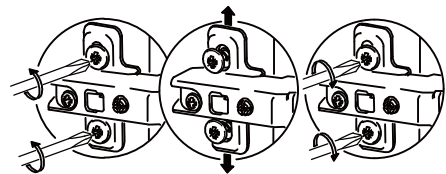
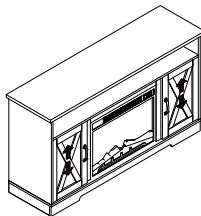
a: To move the top panel up or down, loosen screws shown and move top panel to suit

b: To move the top panel in or out, loosen screws shown and move top panel to suit.

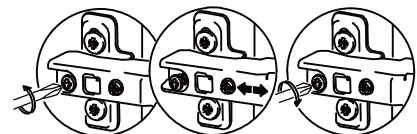
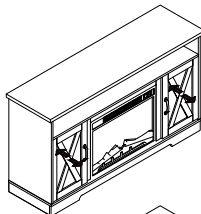
Retighten screws

c: To move the top panel left or right, adjust screws shown.

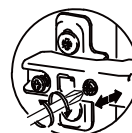
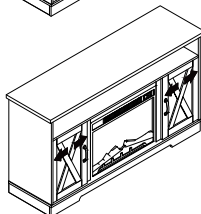
a:



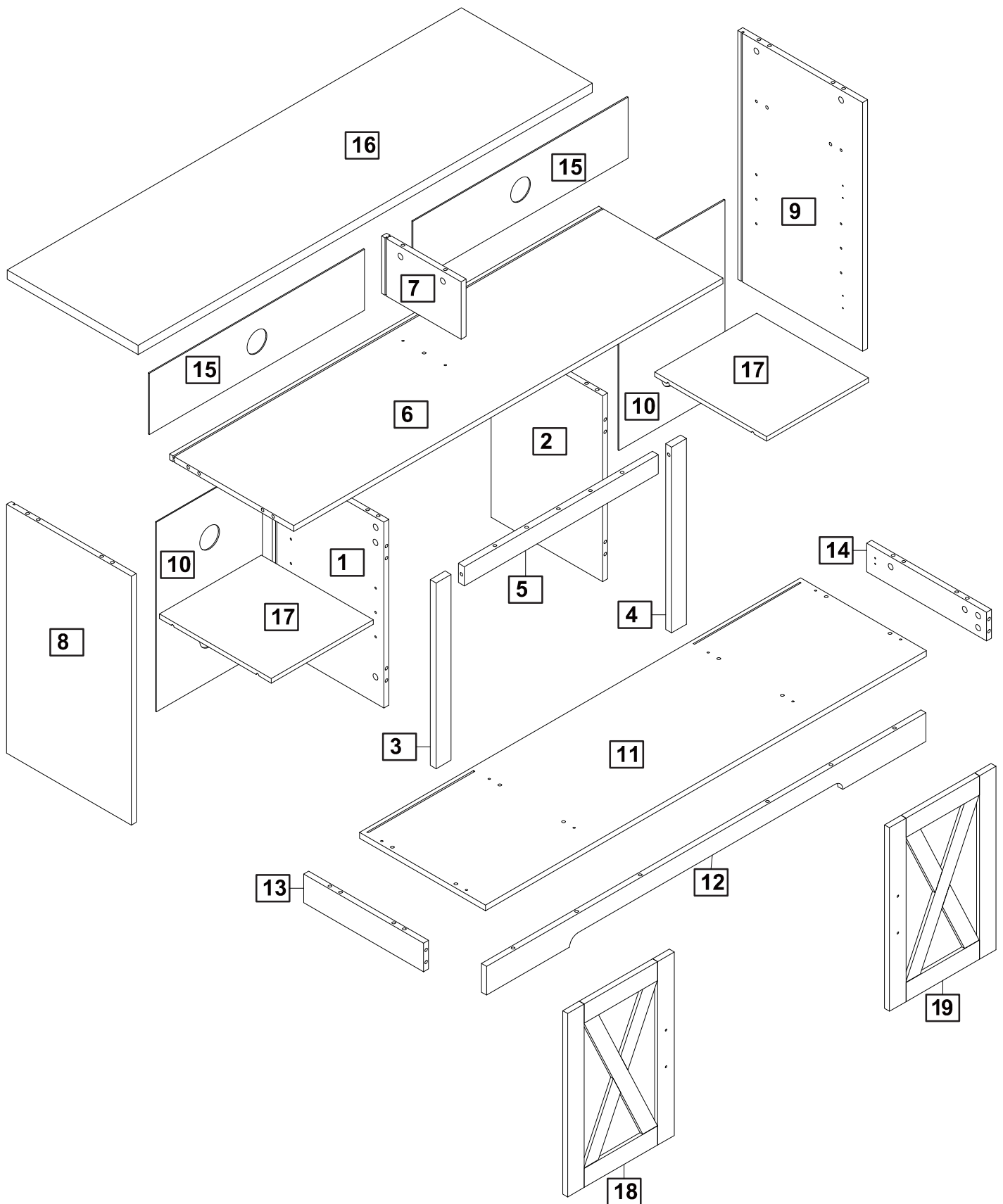
b:



c:

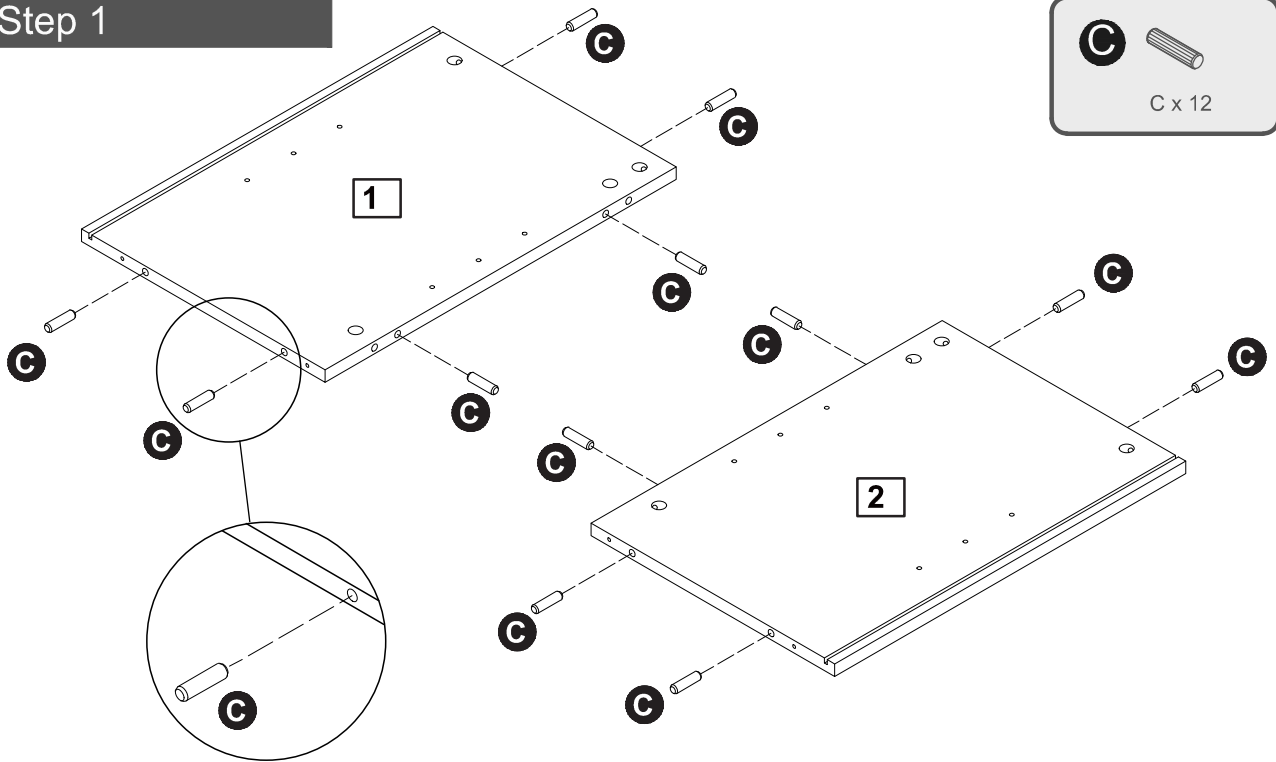


Assembly Instructions



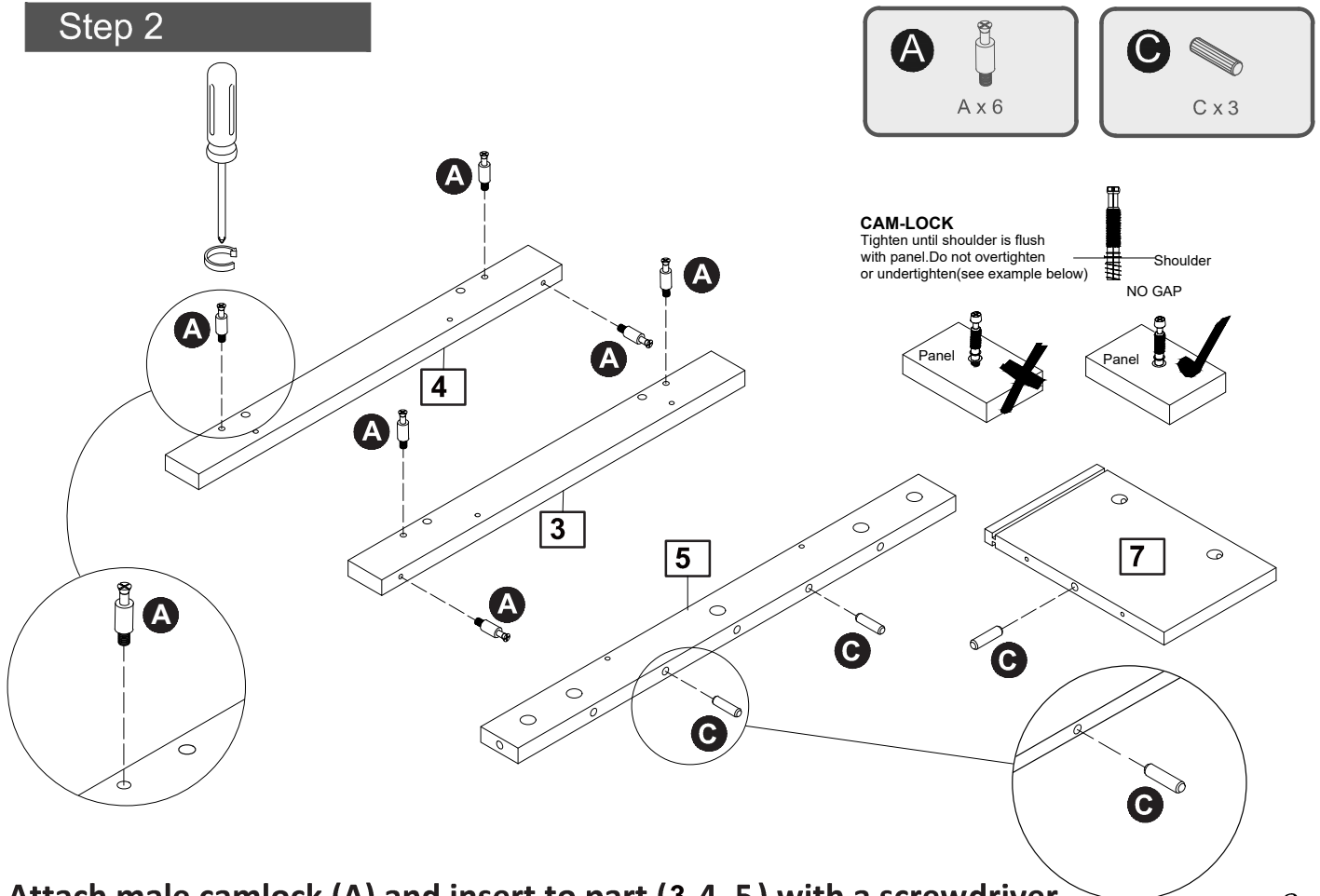
Assembly Instructions

Step 1



Insert Part(C) Dowel to Part (1, 2)

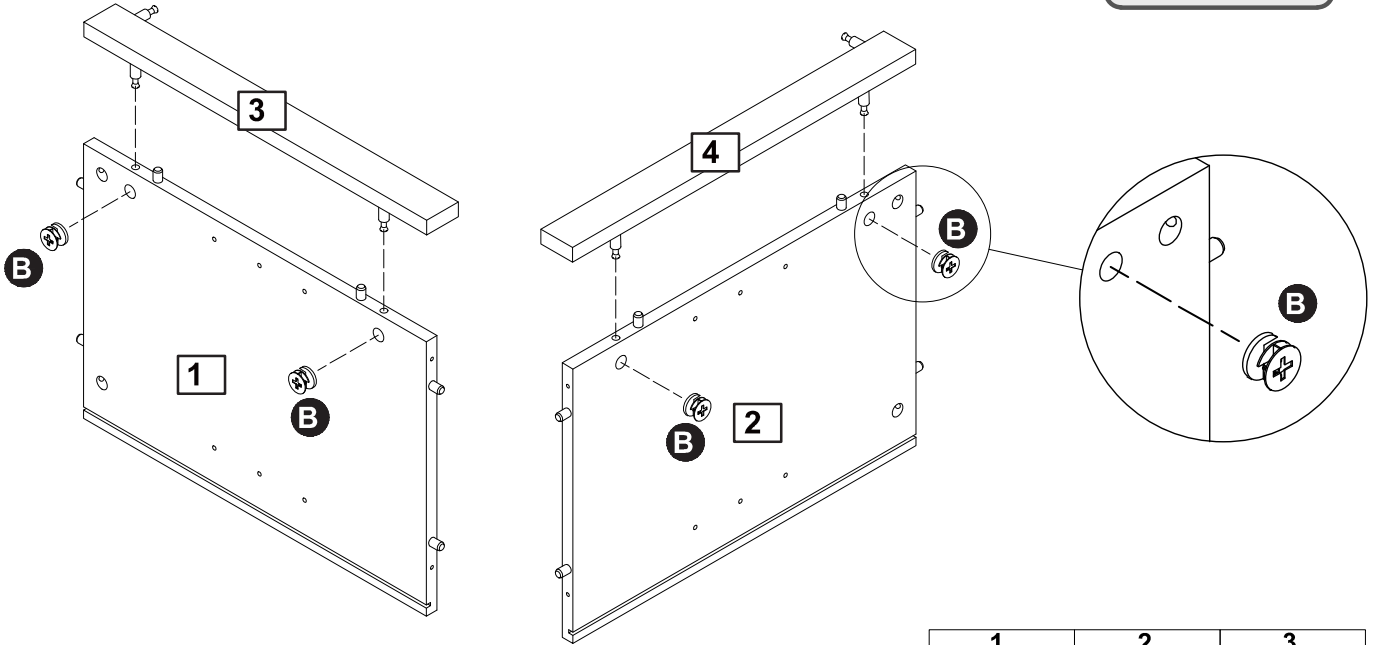
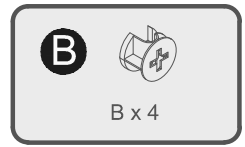
Step 2



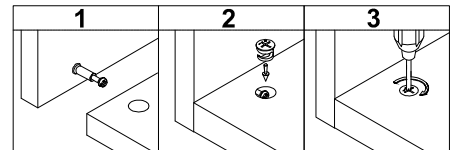
Attach male camlock (A) and insert to part (3, 4, 5) with a screwdriver.
Insert wooden dowel (C) into part (5, 7).

Assembly Instructions

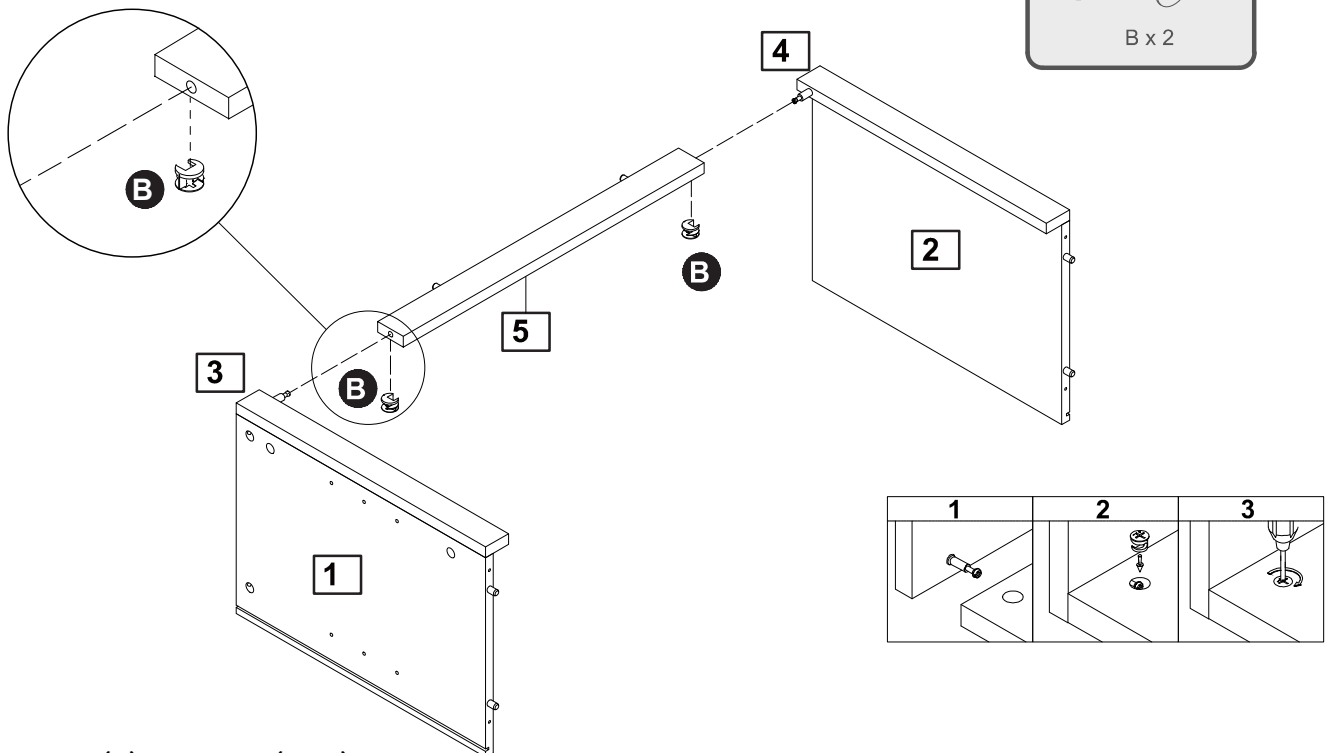
Step 3



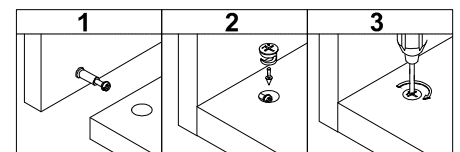
Insert Part (3, 4) to Part (1, 2)
Then insert Female Cam lock (B) and secure



Step 4



Insert Part (5) to Part (3, 4)
Then insert Female Cam lock (B) and secure

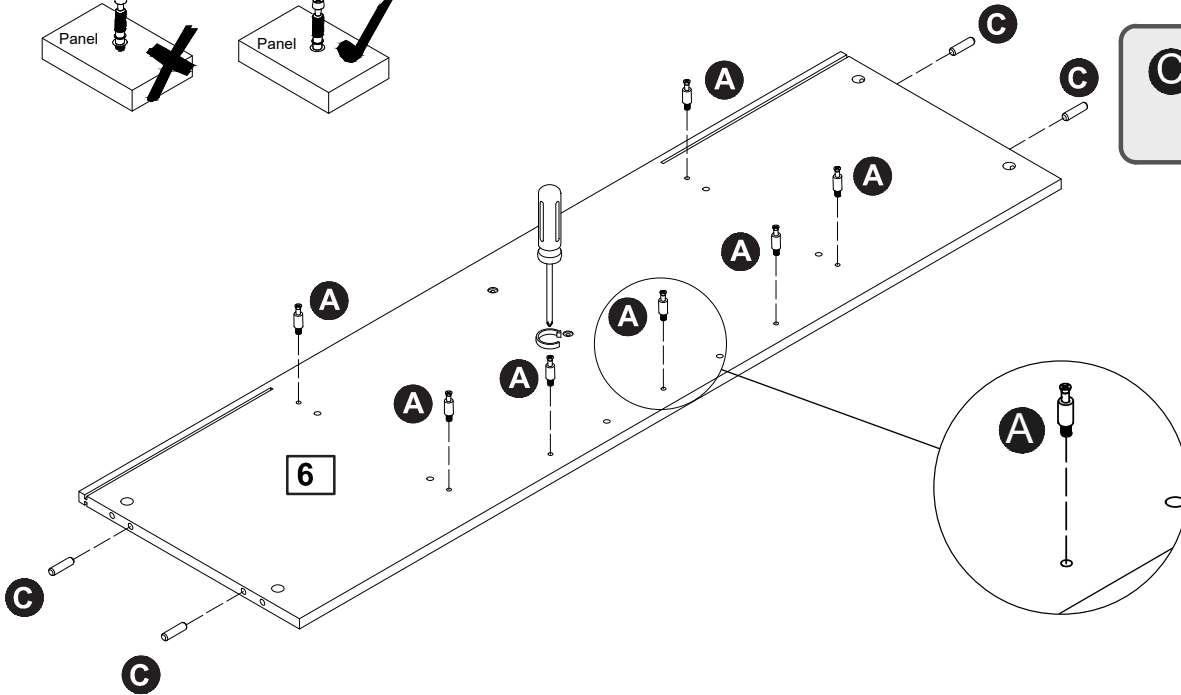
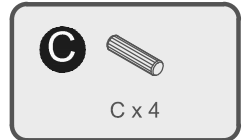
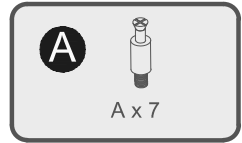
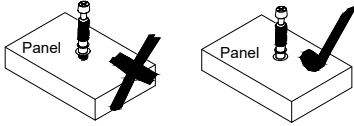
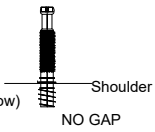


Assembly Instructions

Step 5

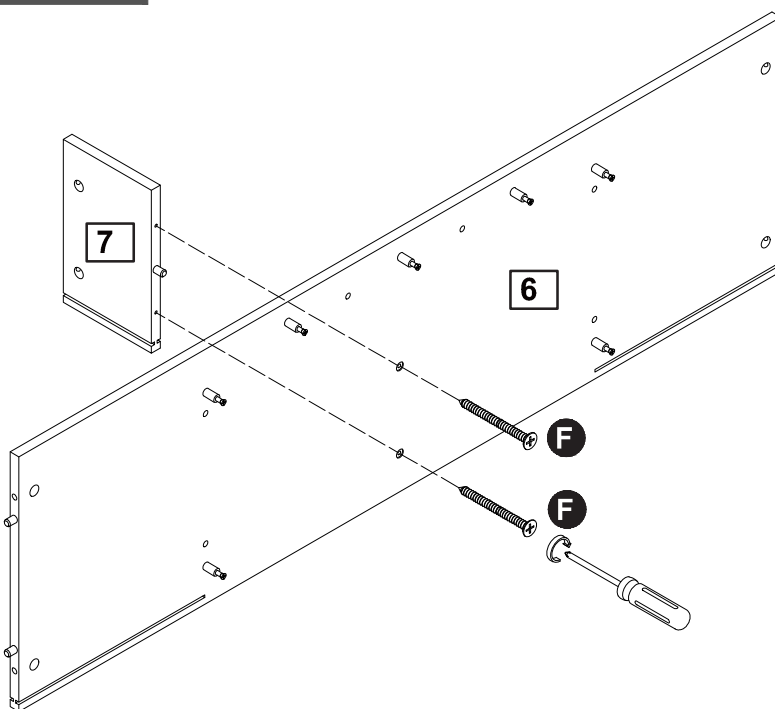
CAM-LOCK

Tighten until shoulder is flush with panel. Do not overtighten or undertighten (see example below)



Attach Male Cam Lock (A) to Part (6) with a screwdriver.
Insert Wooden Dowel (C) into Part (6).

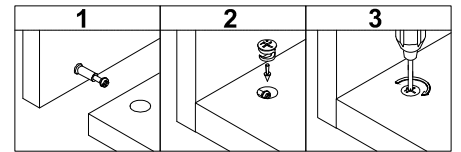
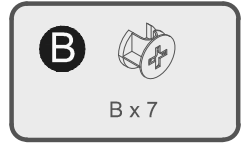
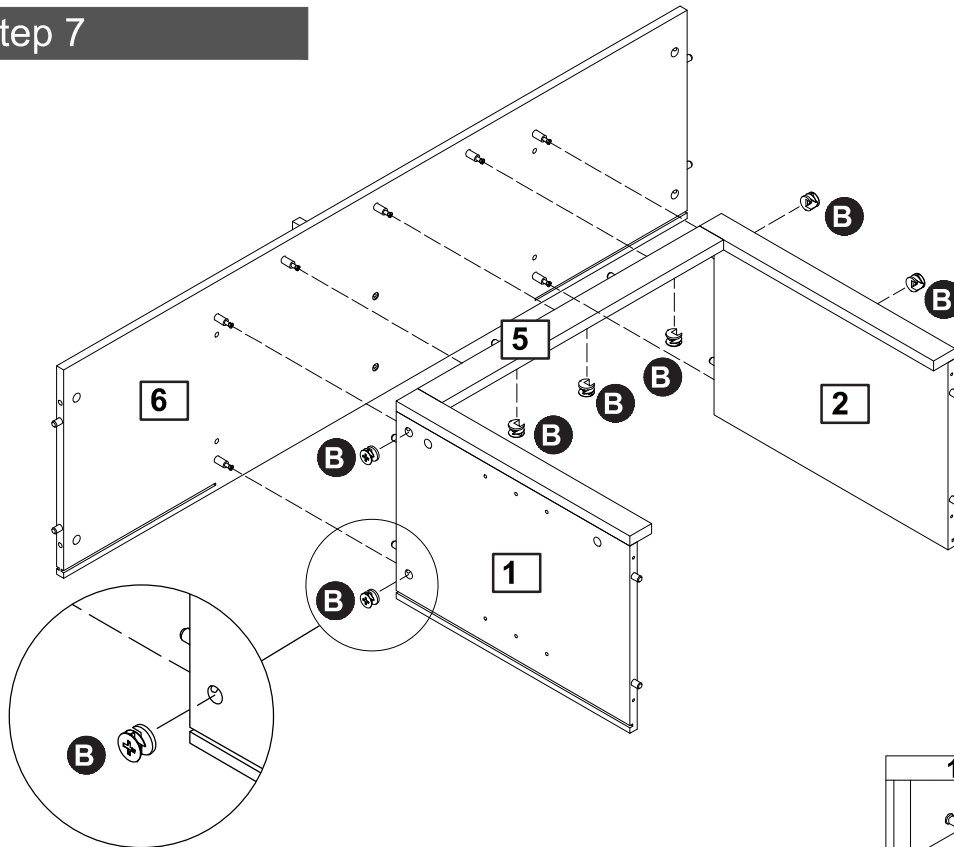
Step 6



Attach Part (7) to Part (6) using Screw (F) with a screwdriver.

Assembly Instructions

Step 7

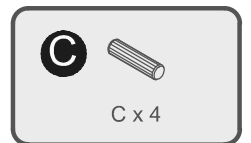
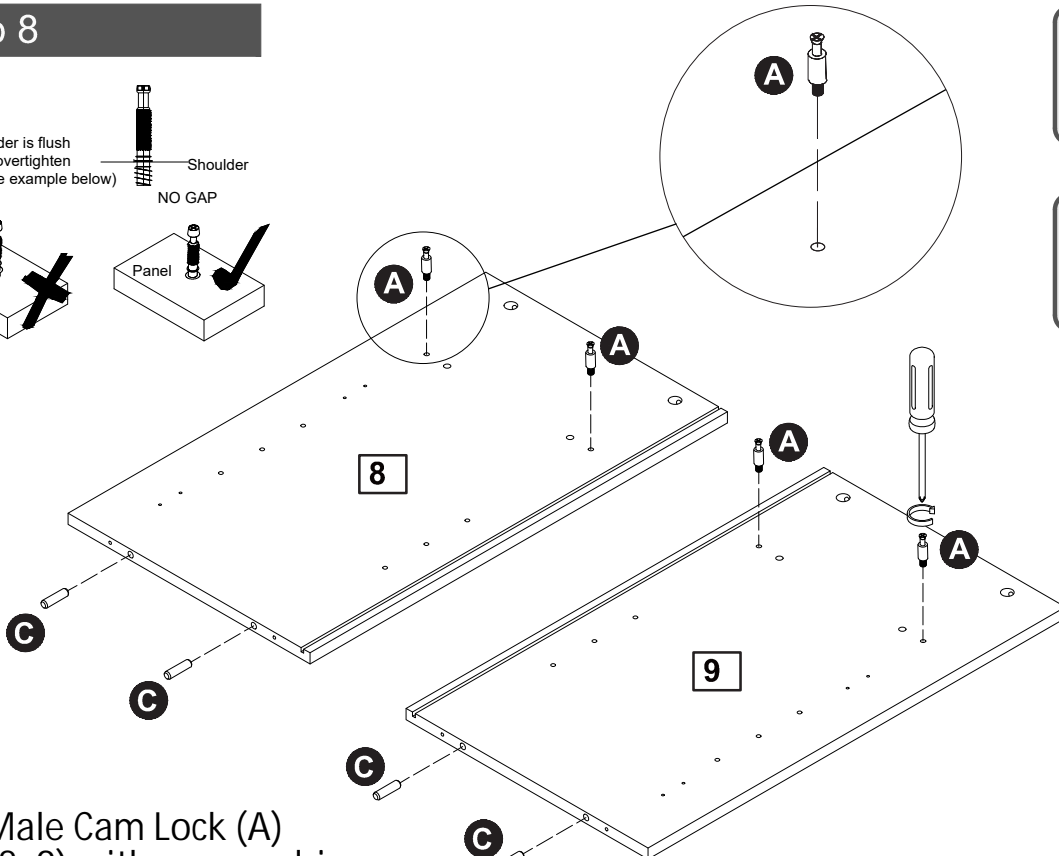
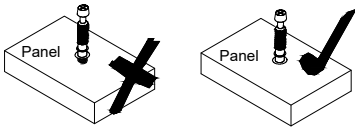
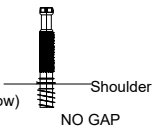


Insert Part (6) to Part (1, 2, 5)
Then insert Female Cam lock (B) and secure.

Step 8

CAM-LOCK

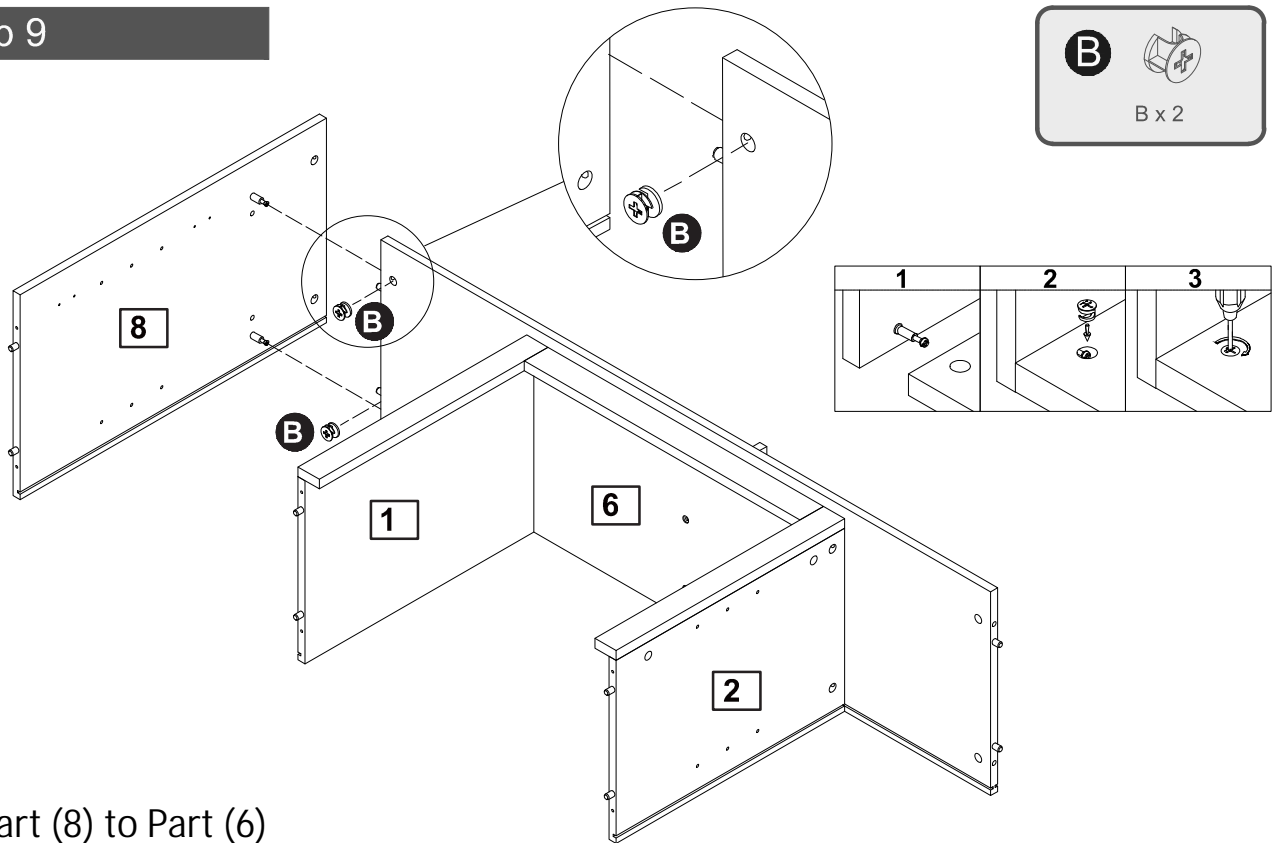
Tighten until shoulder is flush with panel. Do not overtighten or undertighten (see example below)



Attach Male Cam Lock (A)
to Part (8, 9) with a screwdriver.
Insert Wooden Dowel (C) into Part (8, 9).

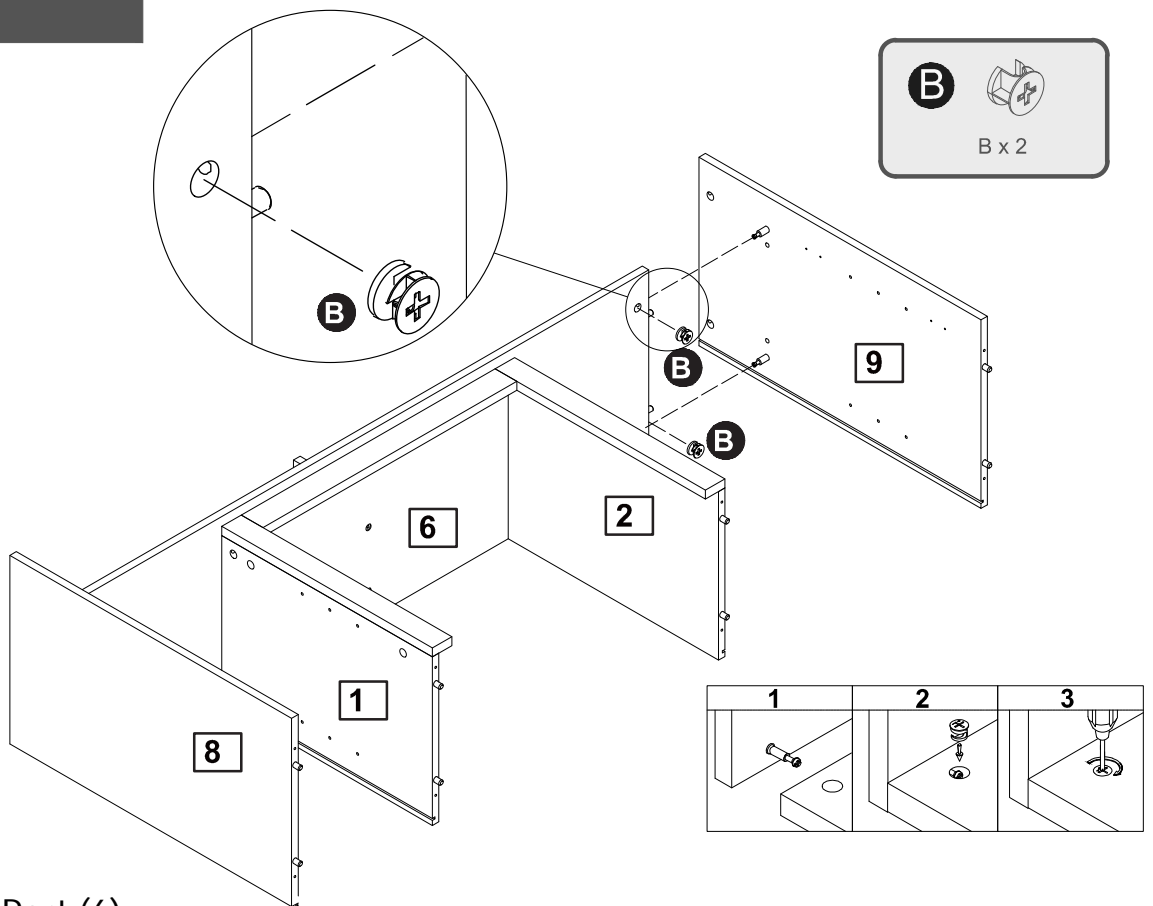
Assembly Instructions

Step 9



Insert Part (8) to Part (6)
Then insert Female Cam lock (B) and secure.

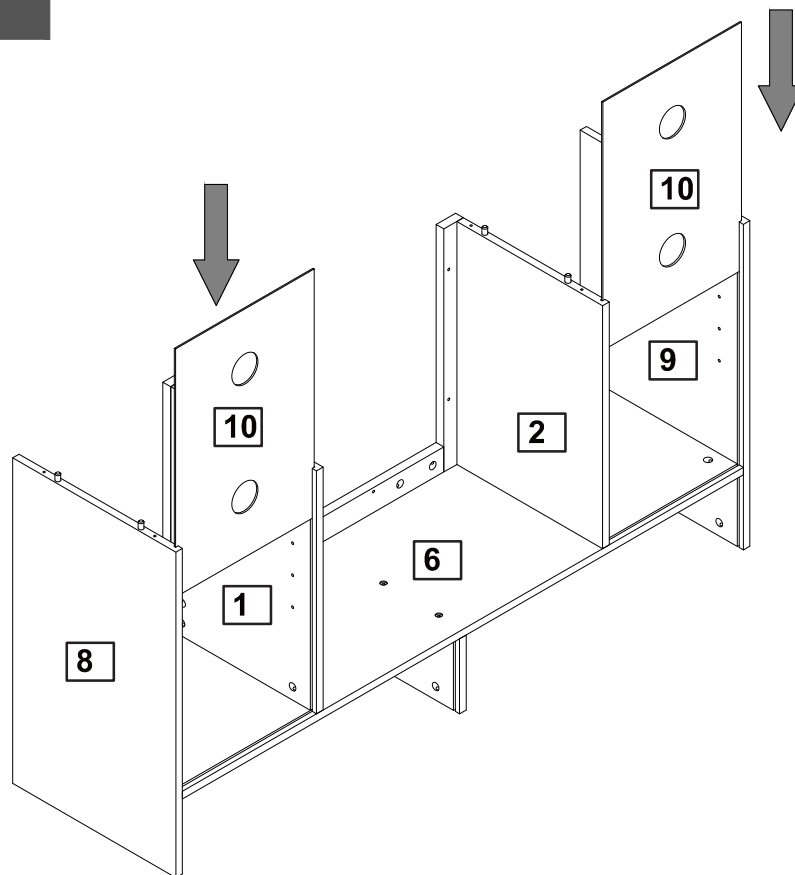
Step 10



Insert Part (9) to Part (6)
Then insert Female Cam lock (B) and secure.

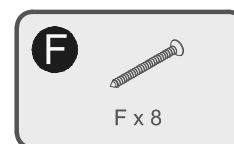
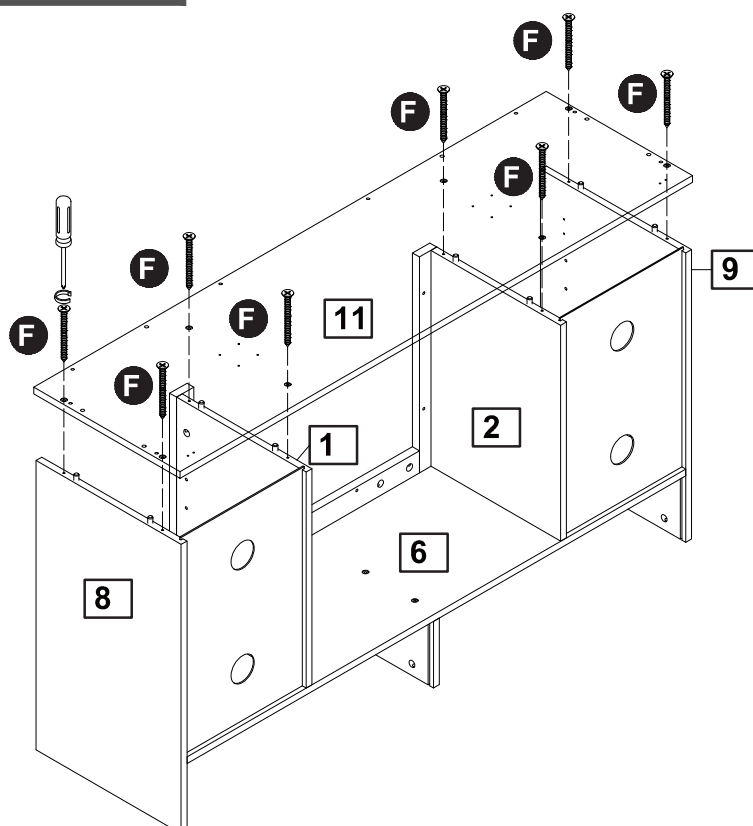
Assembly Instructions

Step 11



Insert parts (10) into the groove of parts (1, 2, 8, 9)

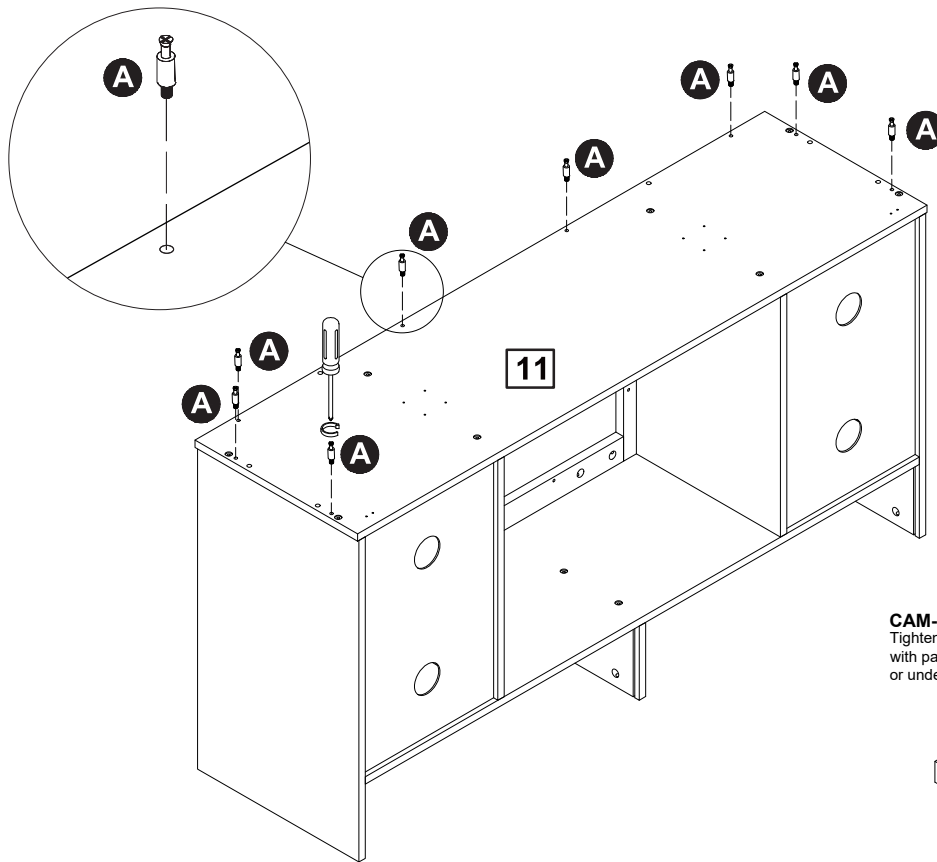
Step 12



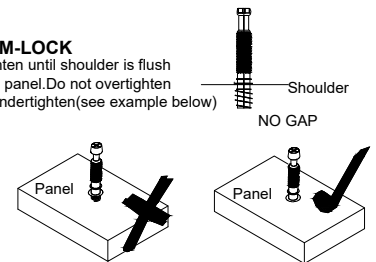
Attach Part (11) to Part (1, 2, 8, 9) using Screw (F) with a screwdriver.

Assembly Instructions

Step 13

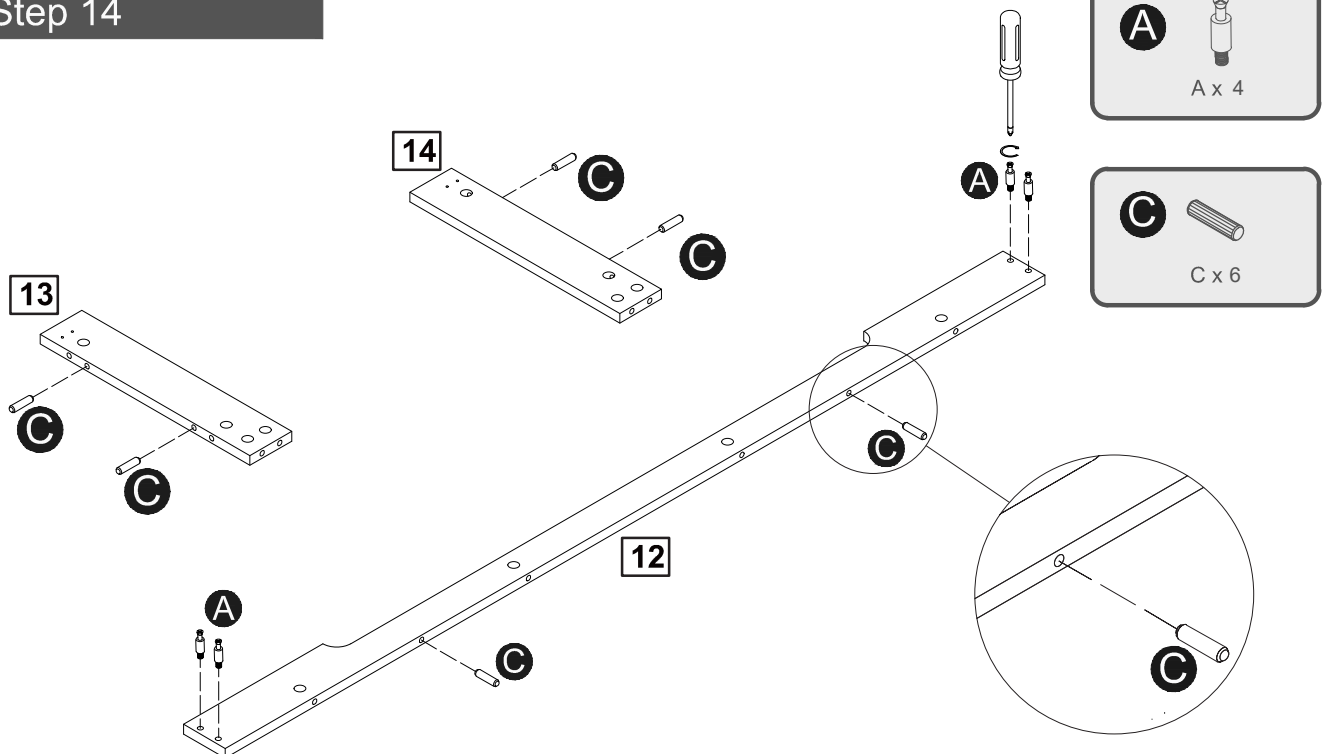


CAM-LOCK
Tighten until shoulder is flush with panel. Do not overtighten or undertighten (see example below)



Attach Male Cam Lock (A) to Part (11) with a screwdriver.

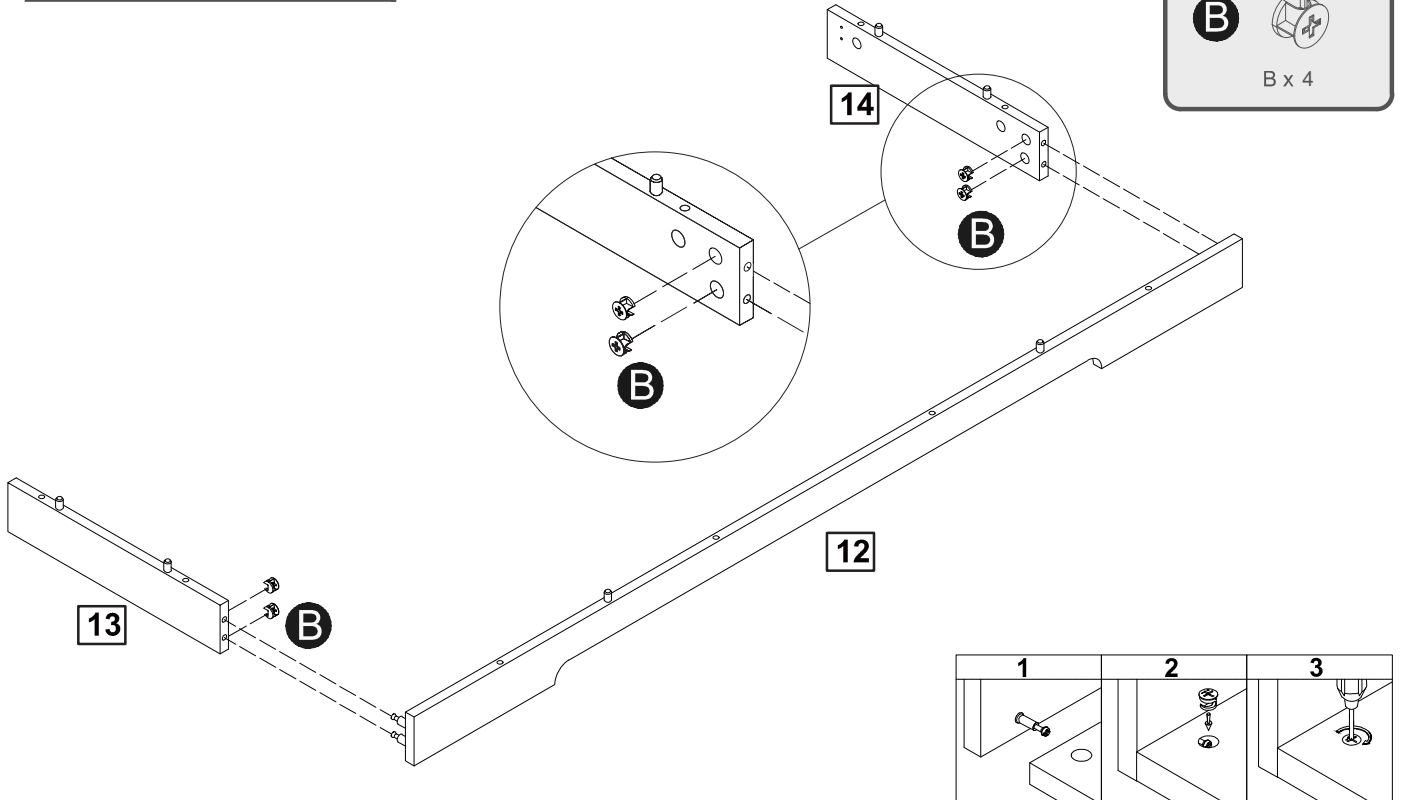
Step 14



Attach Male Cam Lock (A) to Part (12) with a screwdriver.
Insert Wooden Dowel (C) into Part (12, 13, 14).

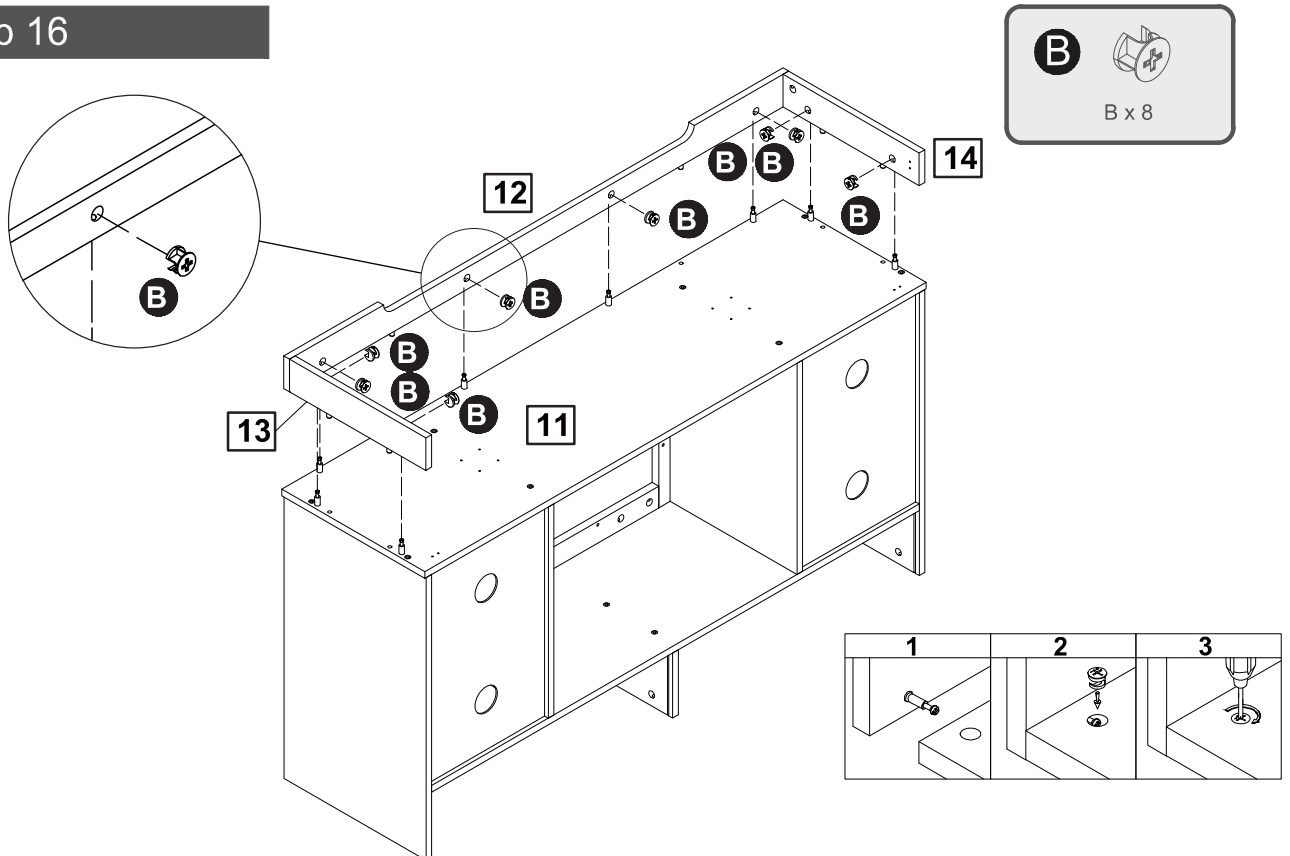
Assembly Instructions

Step 15



Insert Part (13, 14) to Part (12)
Then insert Female Cam lock (B) and secure.

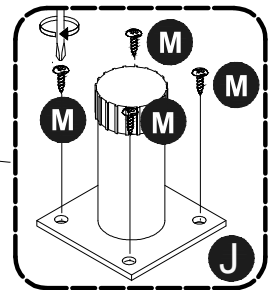
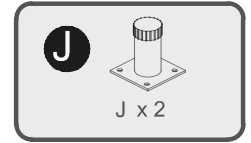
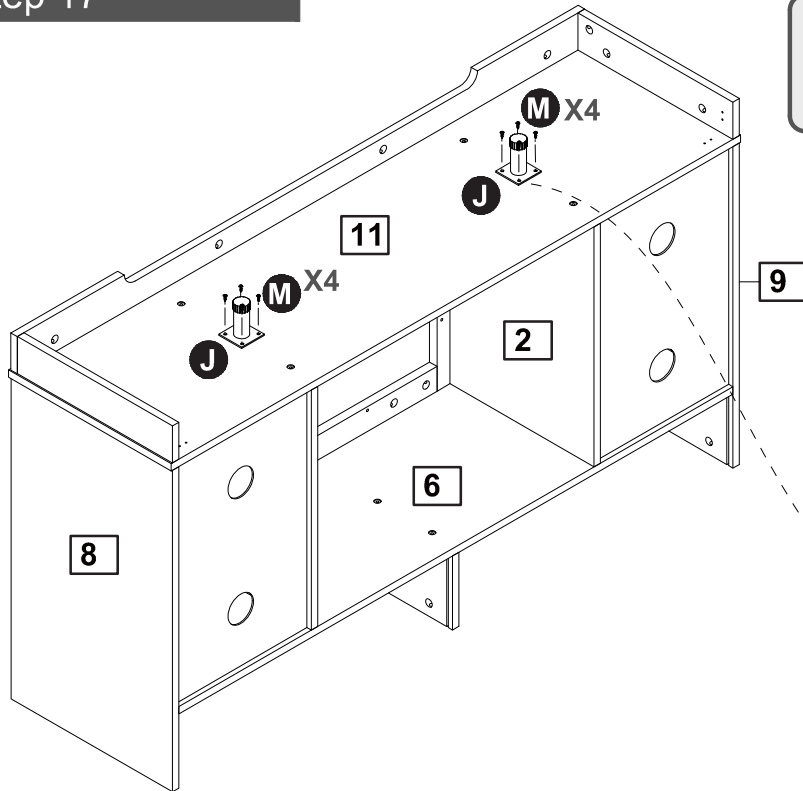
Step 16



Insert Part (12, 13, 14) to Part (11)
Then insert Female Cam lock (B) and secure.

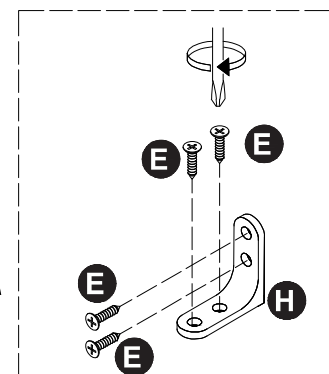
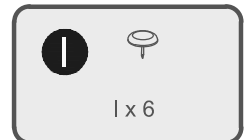
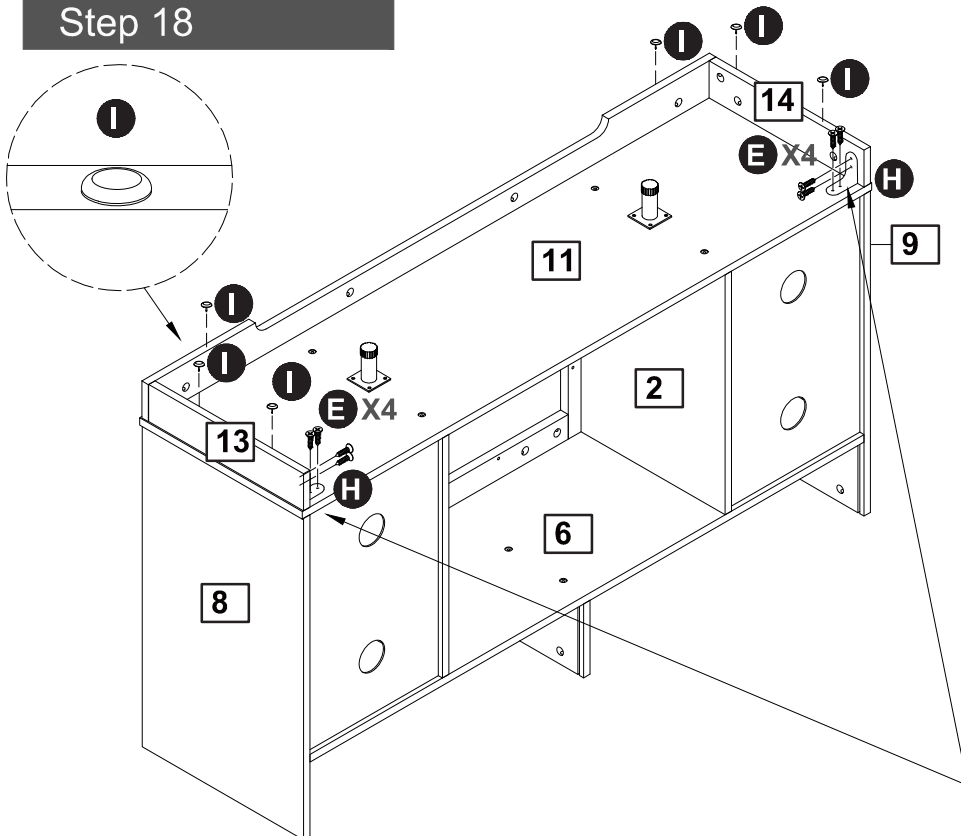
Assembly Instructions

Step 17



Attach Adjustable Feet (J) to Part (11) using screw (M) with a screwdriver.

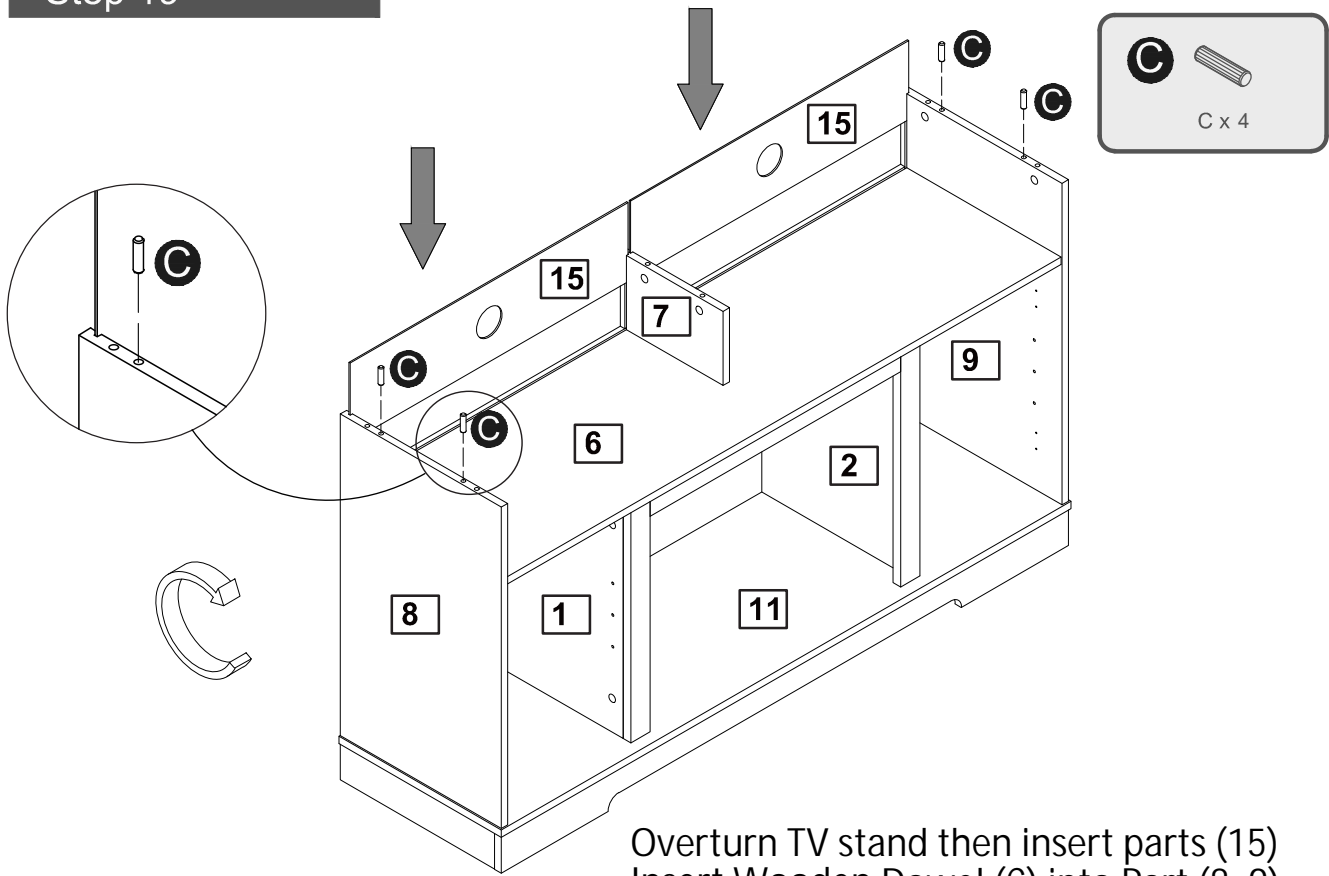
Step 18



Insert protective feet (I)
Use L Shape Bracket (H) to secure Part (13, 14) to part (11) using Screw (E).

Assembly Instructions

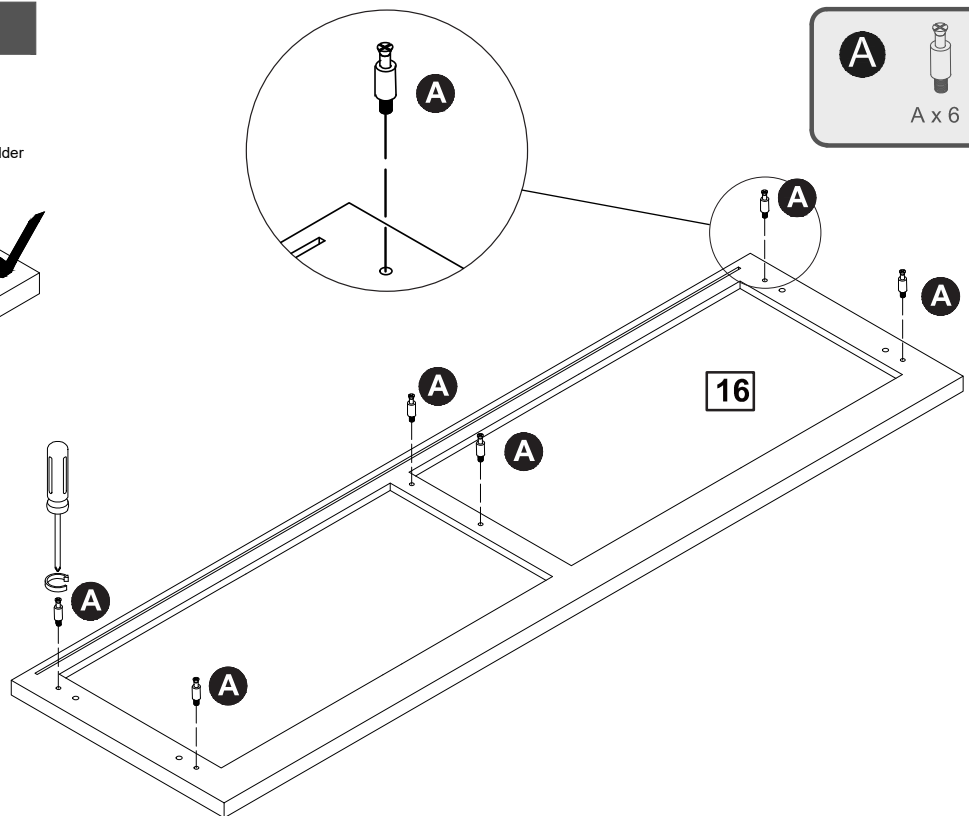
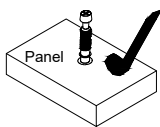
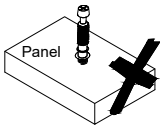
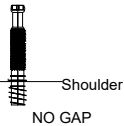
Step 19



Step 20

CAM-LOCK

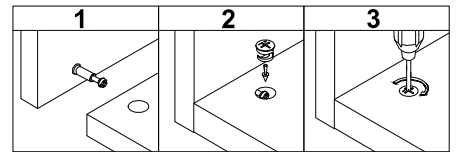
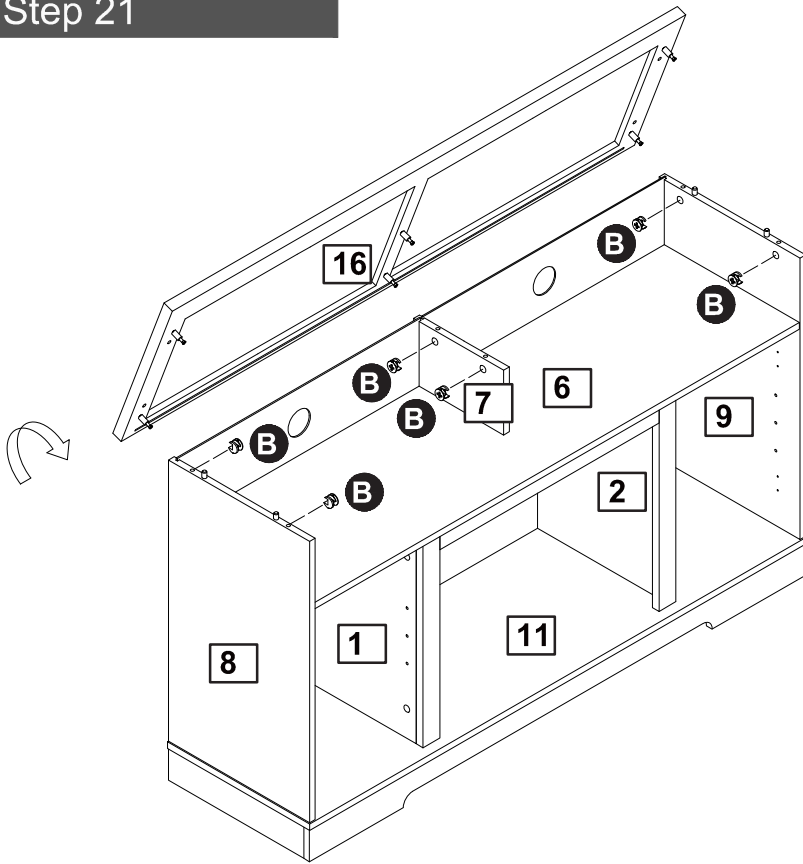
Tighten until shoulder is flush with panel. Do not overtighten or undertighten (see example below)



Attach Male Cam Lock (A) to Part (16) with a screwdriver.

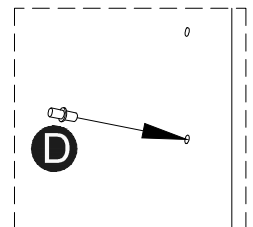
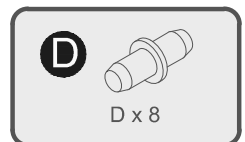
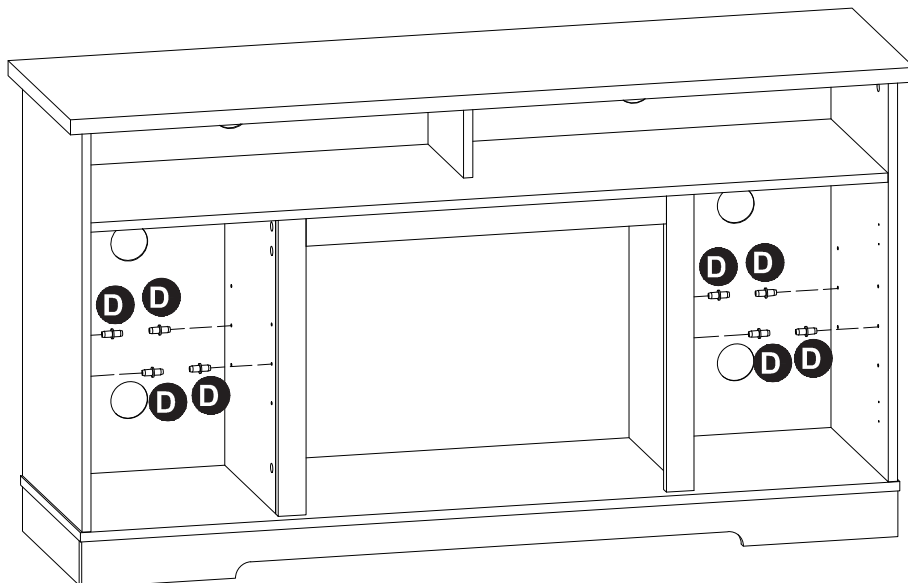
Assembly Instructions

Step 21



Insert Part (16) to Part (7, 8, 9)
Then insert Female Cam lock (B) and secure.

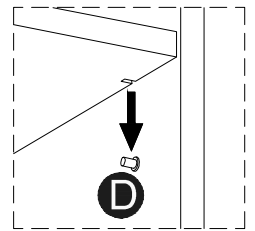
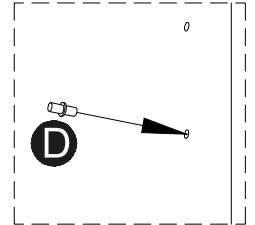
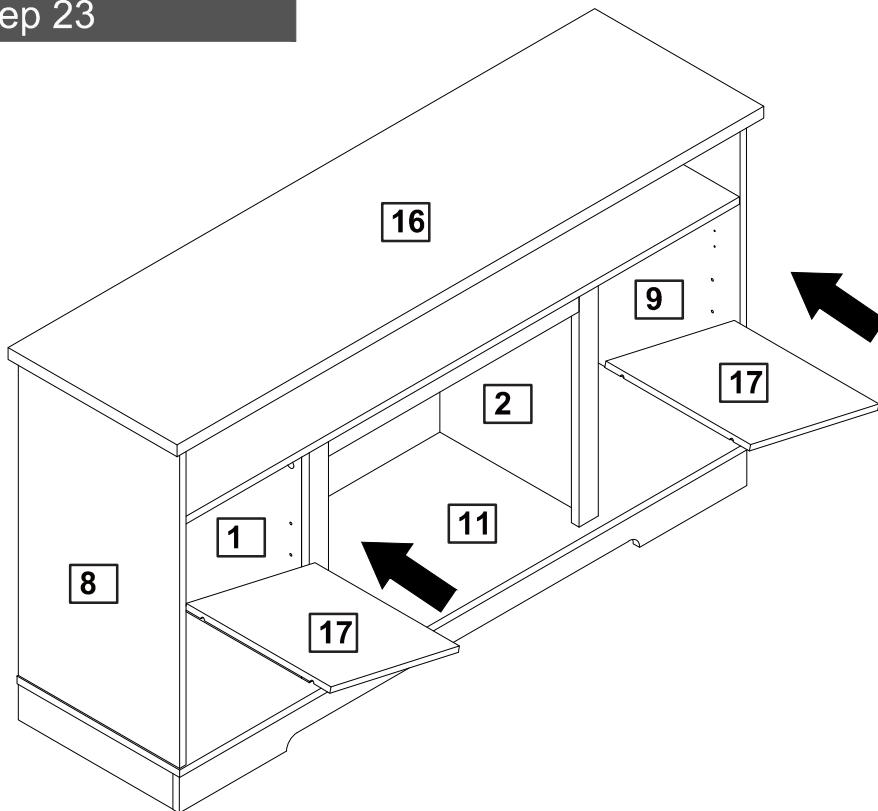
Step 22



Insert Shelf Support Pin (D).
There are 3 levels of position from which you can choose.

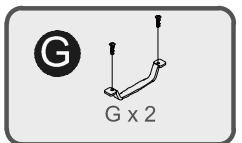
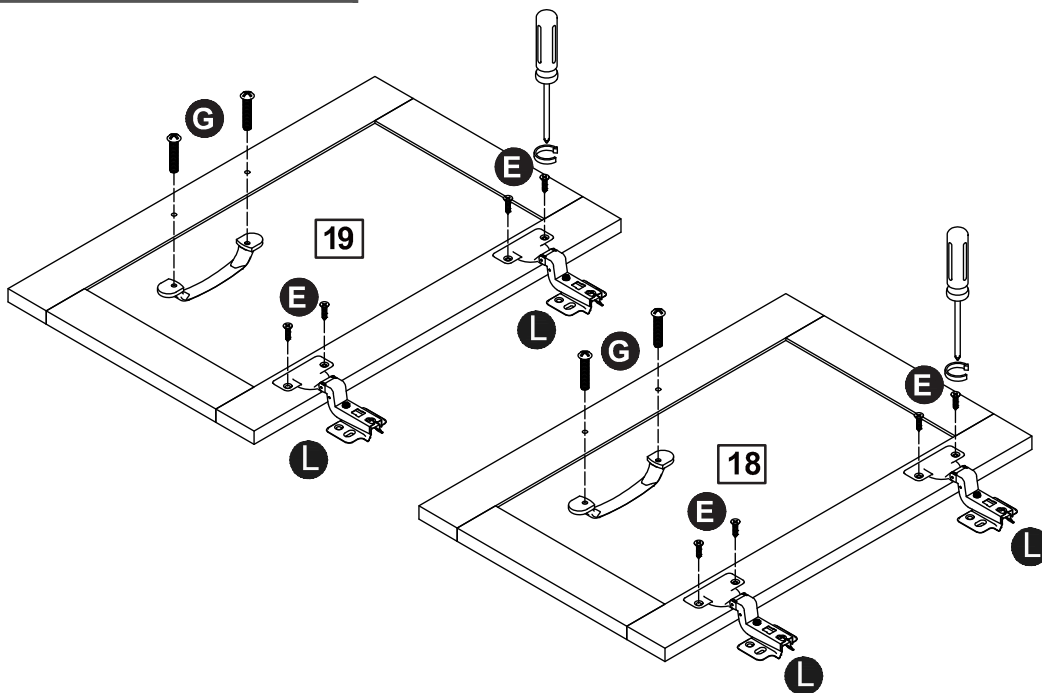
Assembly Instructions


Step 23



Place Part (17) on top of the Support Pin.
There are four grooves on each panel to fit.

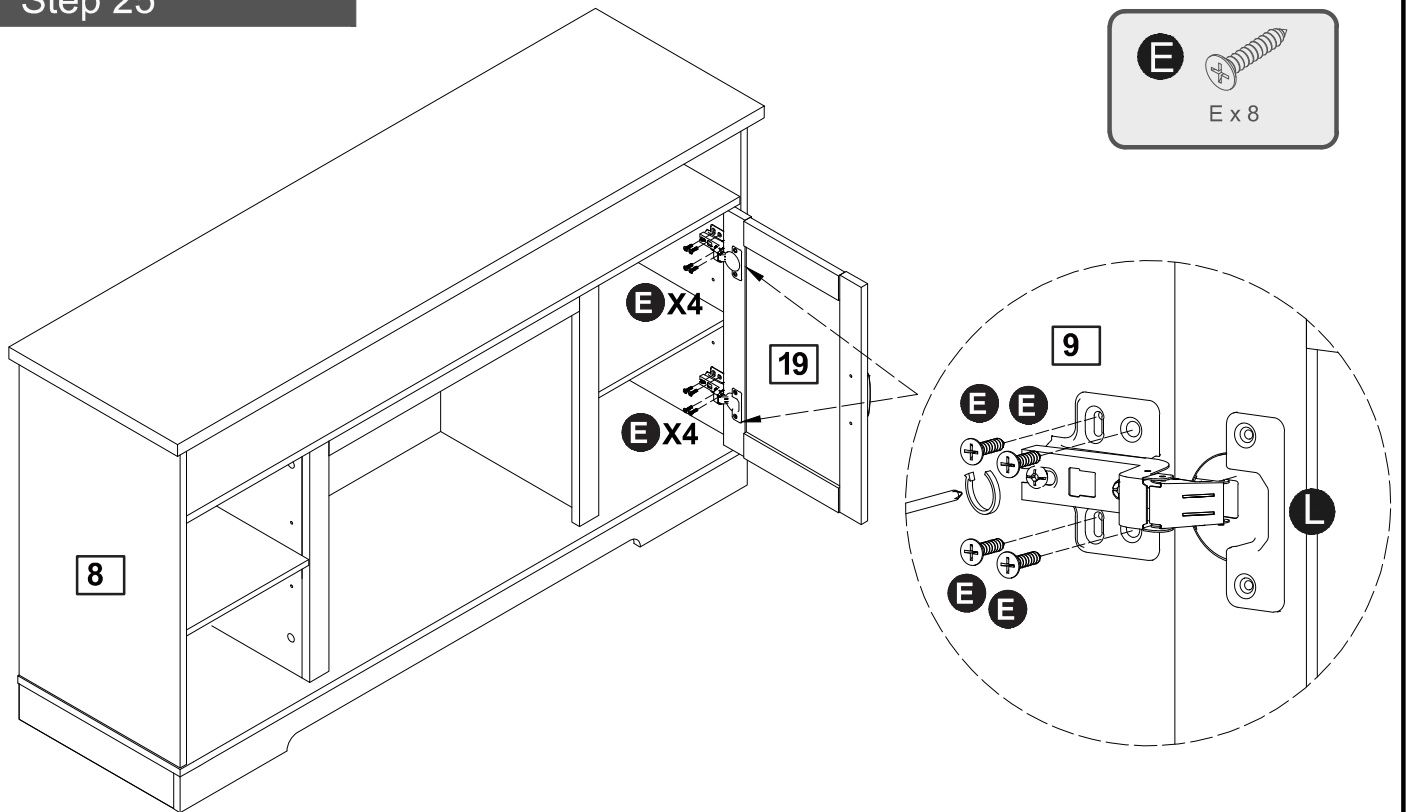
Step 24



 Attach Hinge (L) to Part (18,19) using Screw (E) with a screwdriver.
Attach Handle (G) to Part (18,19) using Screw (G) with a screwdriver.
Please note: Handles and Screws are in one plastic bag.

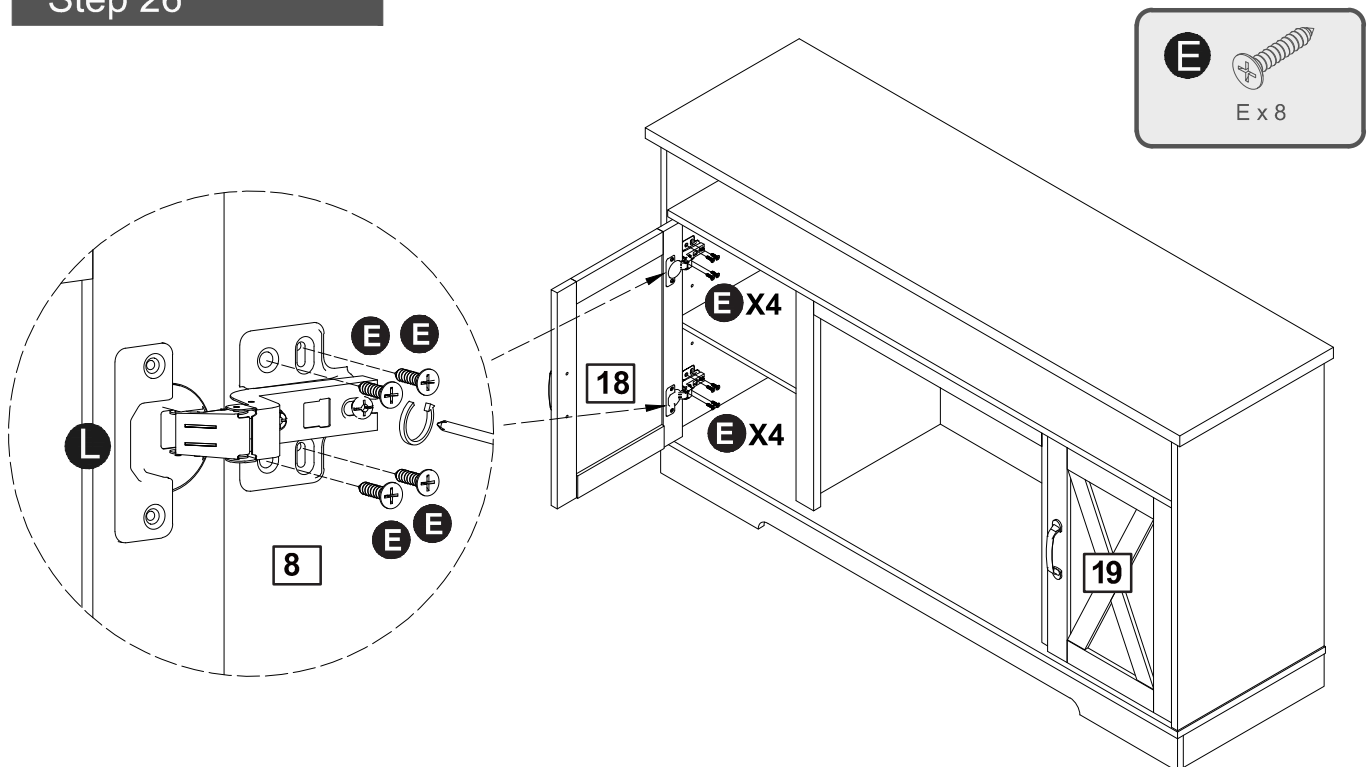
Assembly Instructions

Step 25



Attach Hinge (L) to Part (9) using Screw (E) with a screwdriver.

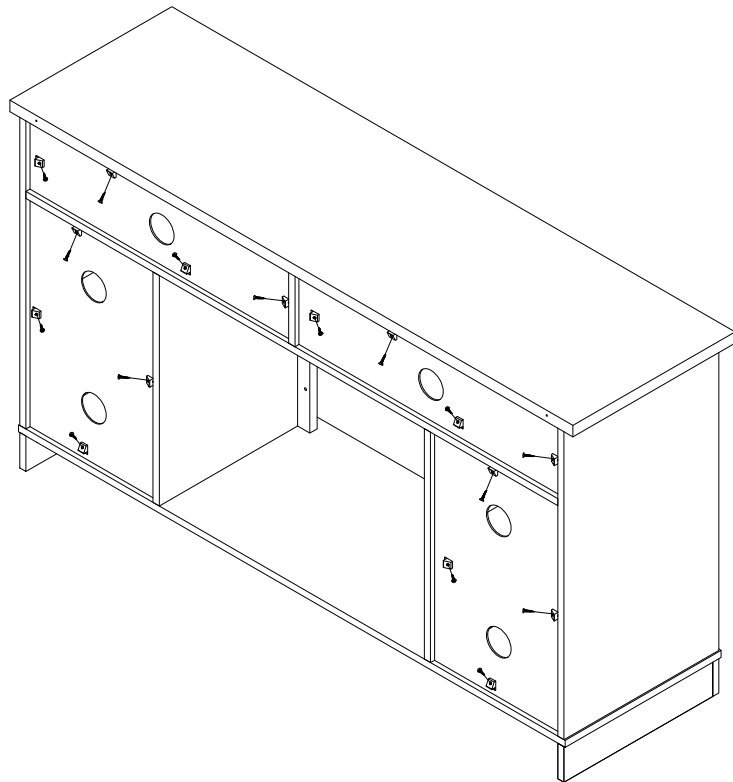
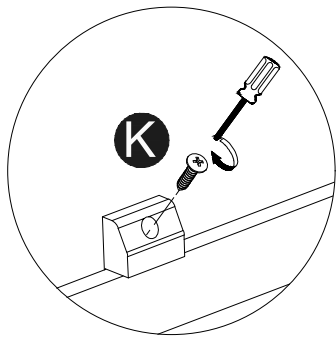
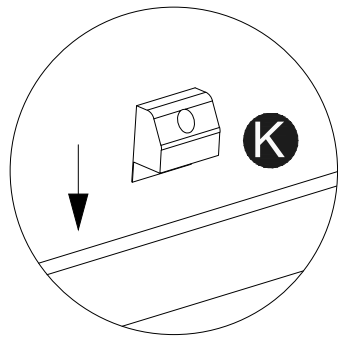
Step 26



Attach Hinge (L) to Part (8) using Screw (E) with a screwdriver.

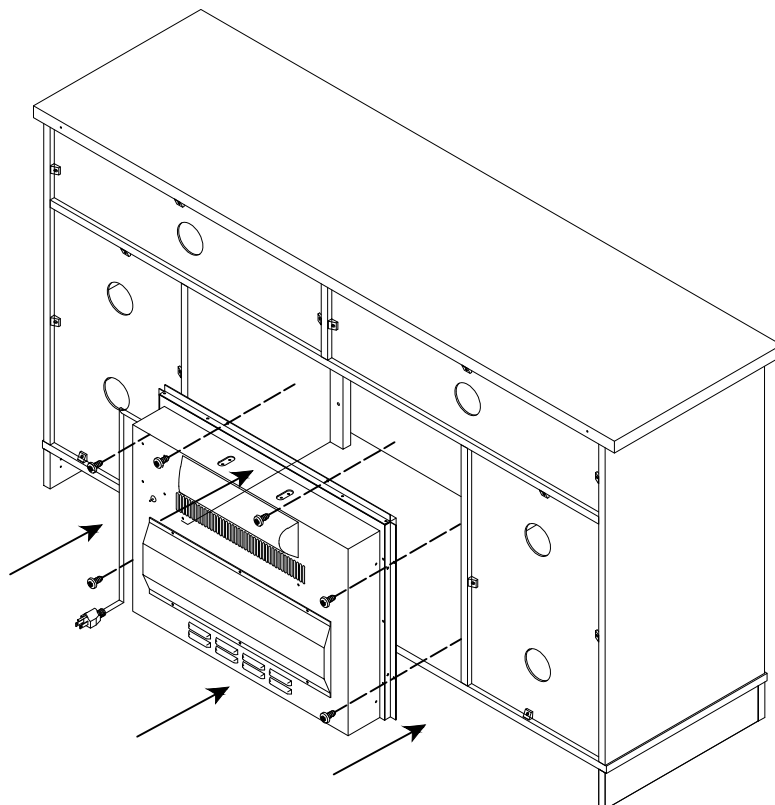
Assembly Instructions

Step 27



Insert Part (K) to the back panel. The position in the manual for your reference.
Screw Part(K).

Step 28



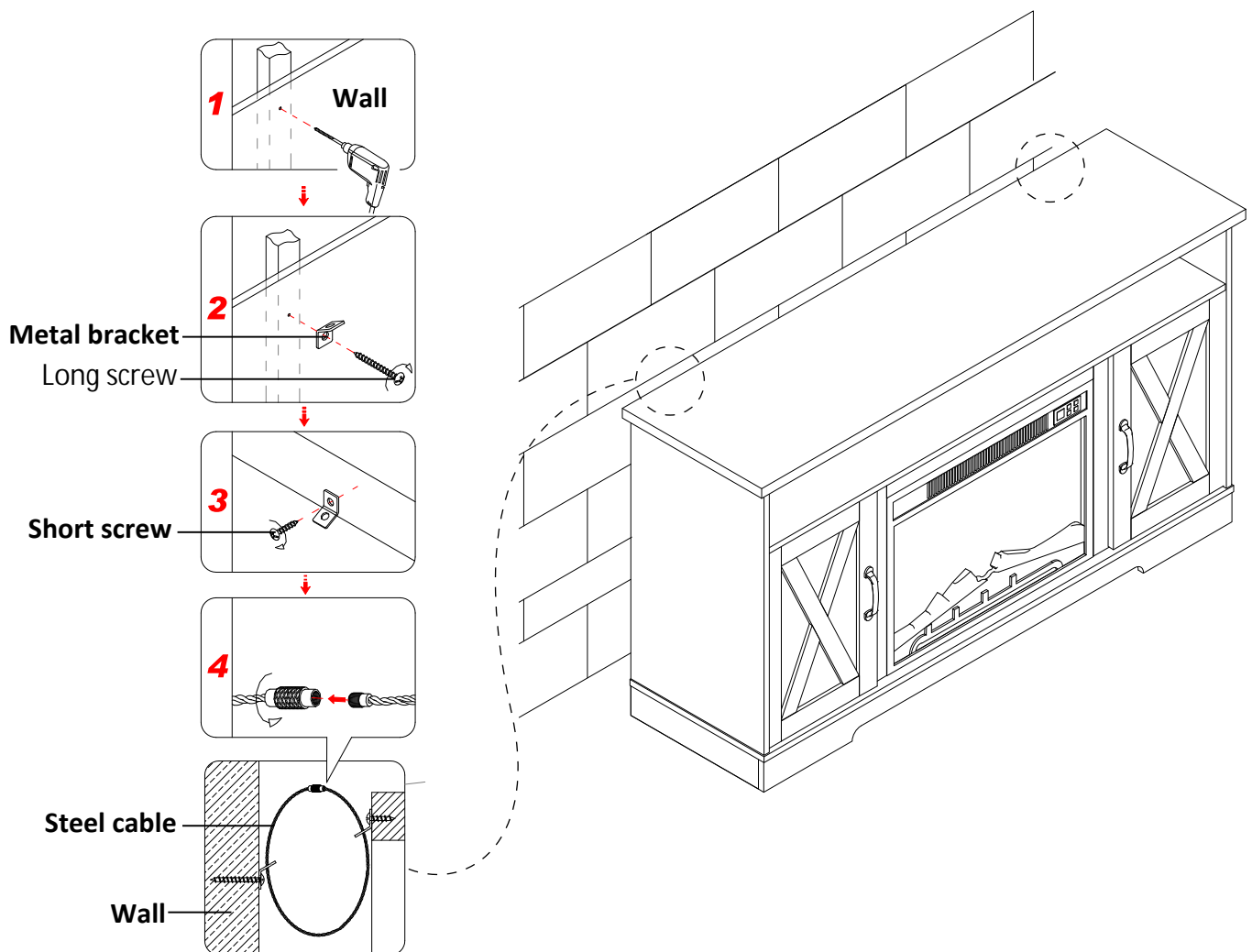
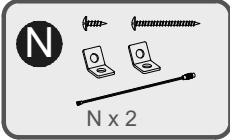
Put fireplace in. Then screw the fireplace.



Please note: The screws to connect fireplace in the box of fireplace.

Assembly Instructions

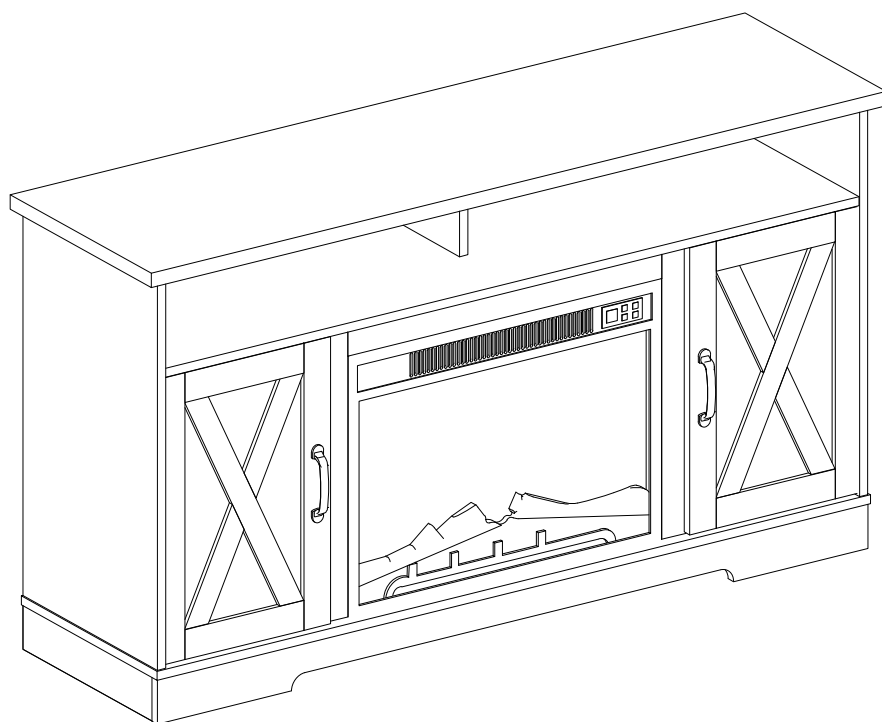
Step 29



follow the instructions printed on the plastic bag containing the Tipping Restraint Hardware to attach the tip-over restraints to the unit and the wall.

Assembly Instructions

Step 30



Assembly is complete.

A Guide to Wall Mounting & Fixings

Important note:

If plastic wall plugs (rawl plugs) are supplied with your product, e.g.:



- these are only suitable for use in masonry walls.

If you are in any doubt about the correct wall plugs for your wall, seek professional advice.


Failure of the product due to using the incorrect fixings is the responsibility of the installer.



Important: when drilling into walls always check that there are no hidden wires or pipes etc.

Make sure that the screws and wall plugs being used are suitable for **supporting your unit**. **Consult a qualified tradesperson if you are unsure.**

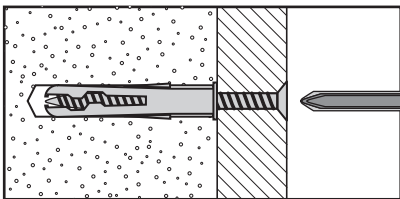
Hints:

- 1: General rule:  always use a larger screw and wall plug if you are not sure.
- 2: Ensure you use the recommended drill bit to match the wall plug and hole size.
- 3: Ensure you drill the hole horizontally; do not force the drill or enlarge the hole.
- 4: Take extra care when drilling high walls, ceilings and ceramic tiles. Ensure wall plugs are inserted beyond the thickness of the ceramic tiles to avoid the tiles splitting or cracking.
- 5: Ensure wall plugs are well fitted and are a tight fit in the drilled hole.

Types of walls

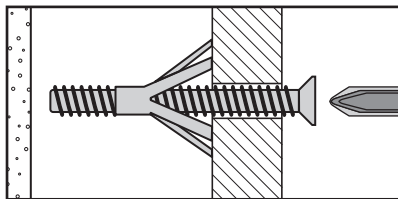
You can use one of the following types of wall plug if your walls are made of brick, breeze block, concrete, stone or wood.

No.1 "General Purpose" wall plug



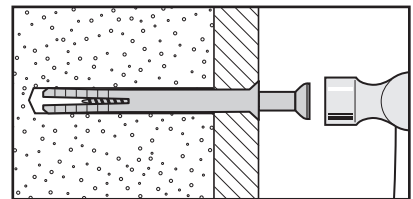
Generally aerated blocks should not be used to support heavy loads, use a specialist fitting in this case. For light loads, general purpose wall plugs can be used.

No.3 "Cavity Fixing" wall plug



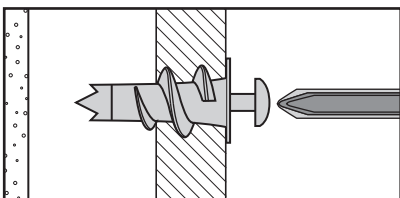
For use with plasterboard partitions or hollow wooden doors.

No.5 "Hammer Fixing" wall plug



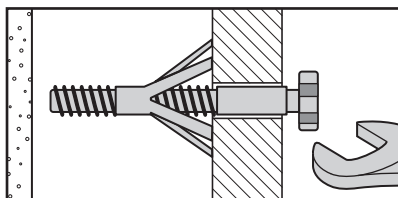
For use with walls stuck with plasterboard. The hammer fixing allows it to be fixed to the wall rather than the plasterboard. Always check the fixing is secure to the retaining wall.

No.2 "Plasterboard" wall plug



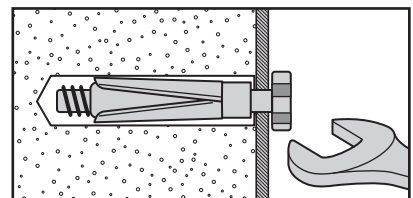
For use when attaching light loads onto plasterboard partitions.

No.4 "Cavity Fixing - Heavy Duty" wall plug



For use when fitting or supporting heavy loads such as shelving, wall cabinets and coat racks.

No.6 "Shield Anchor" wall plug - heavy loads



For use with heavier loads such as TV and HiFi speakers and satellite dishes etc.



Care & Maintenance

Safety: always check the fitting and location to ensure your safety in and around the home.

Fitting: from time to time check the fitting to ensure the wall plugs or screws do not become loose.