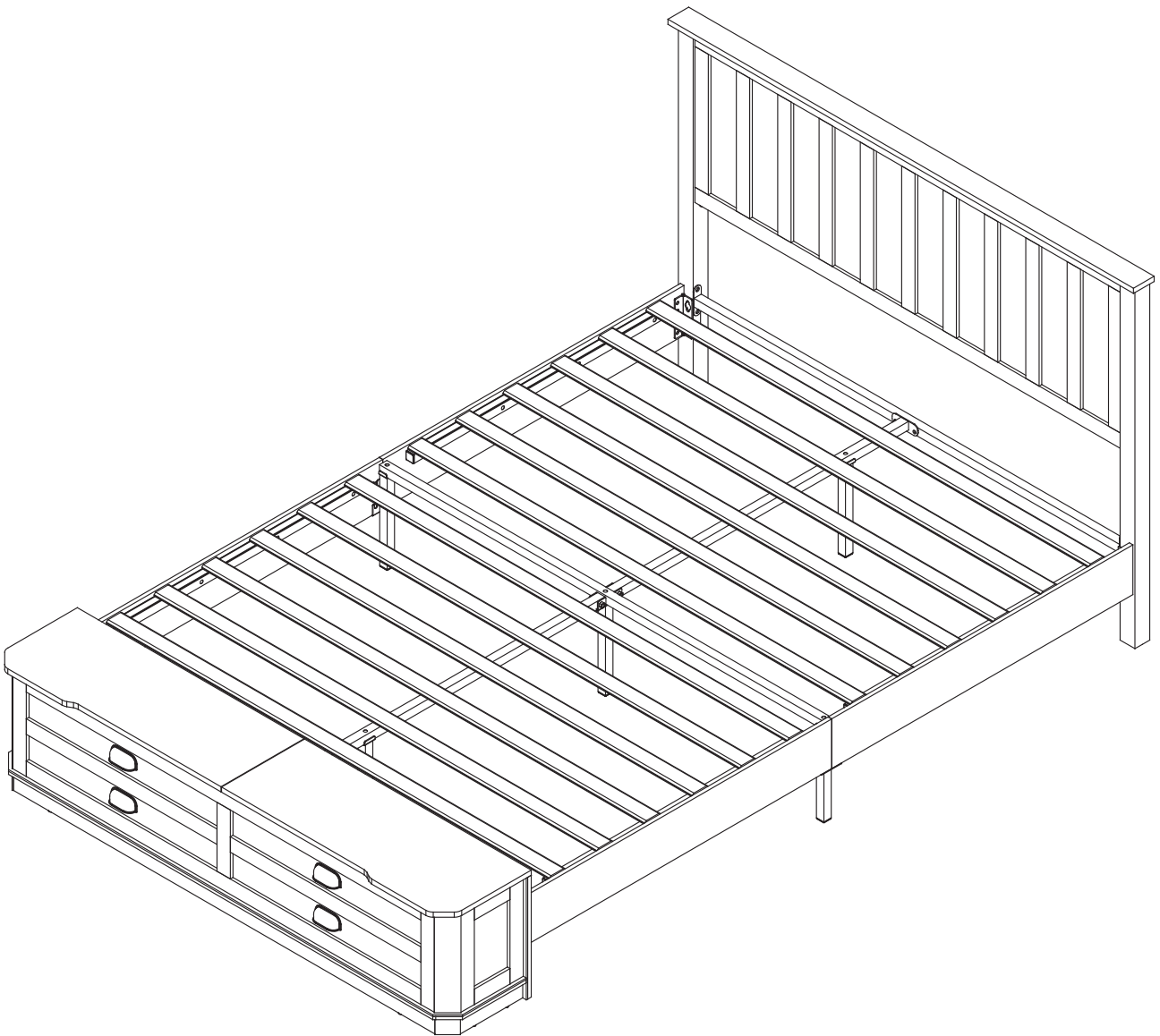
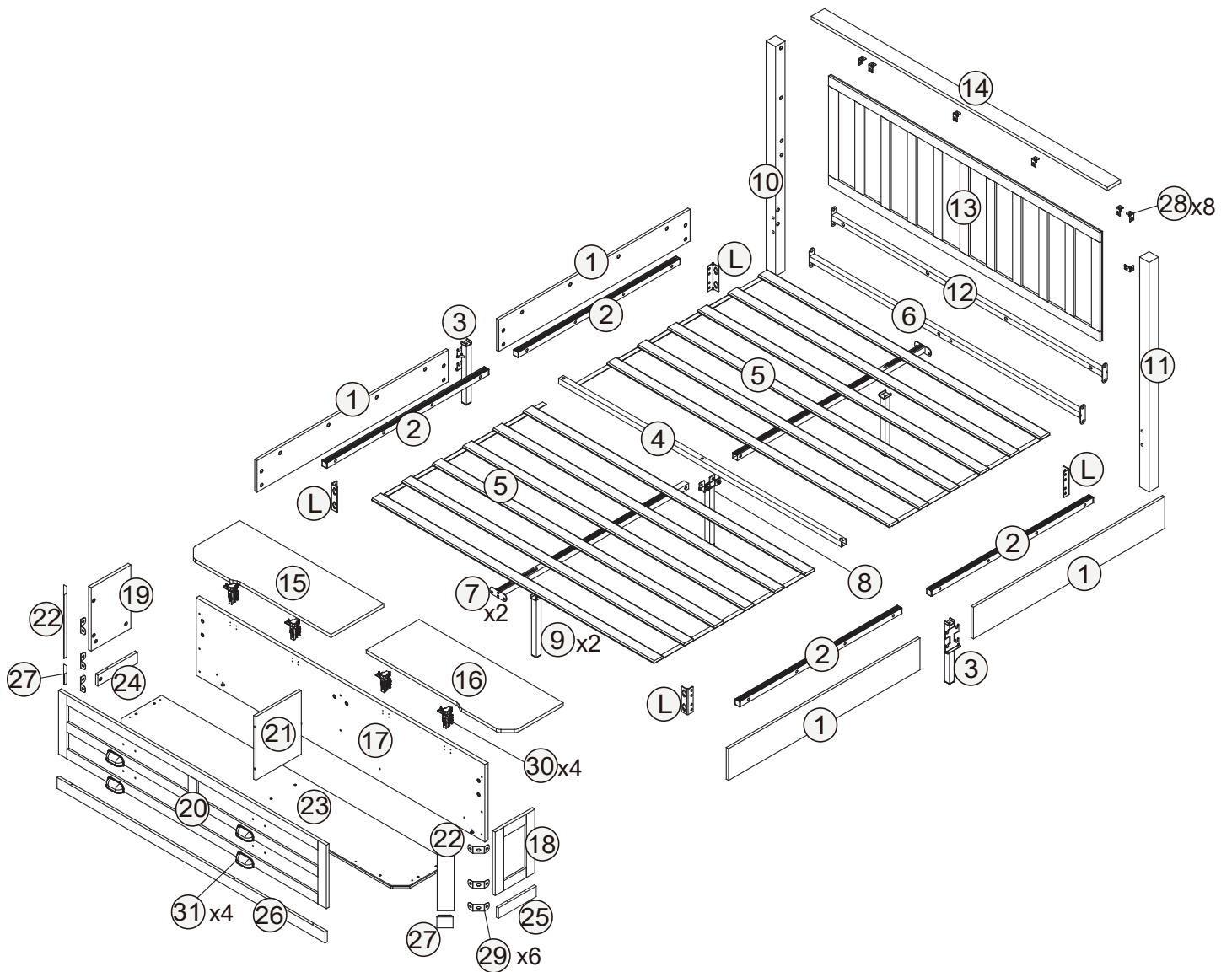


BED FRAME



Thank you for choosing our products, please assemble and use it following the instructions.

Assembly Instruction

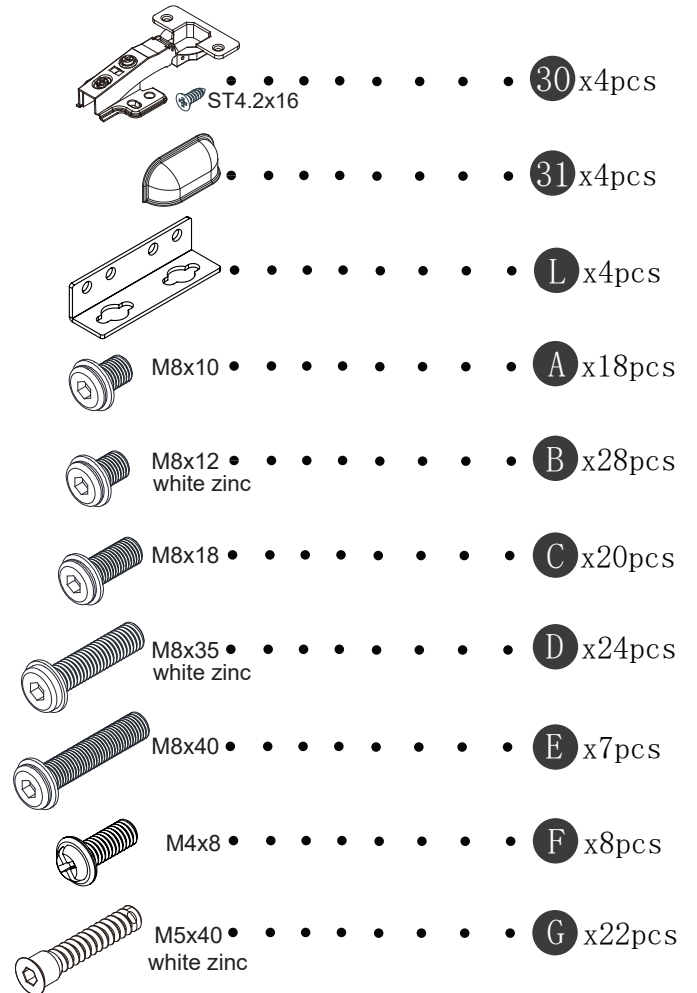
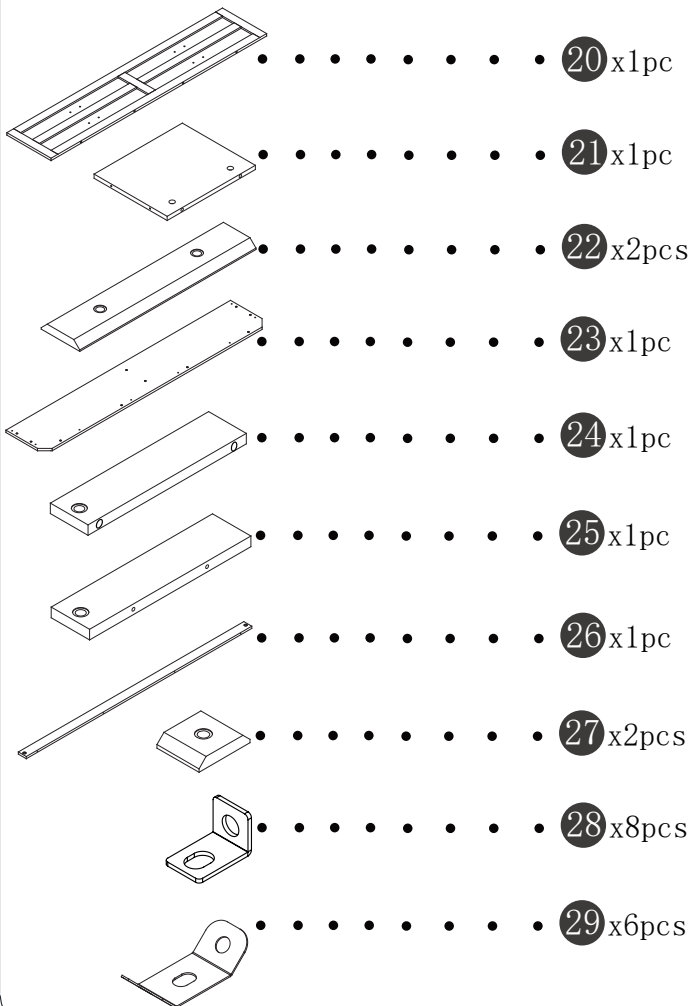
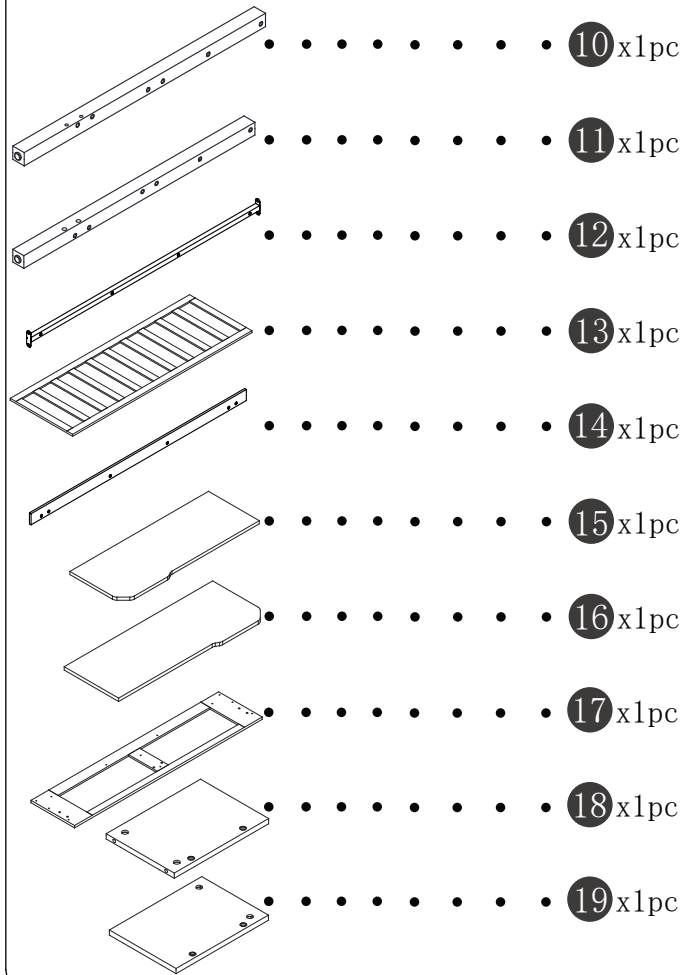
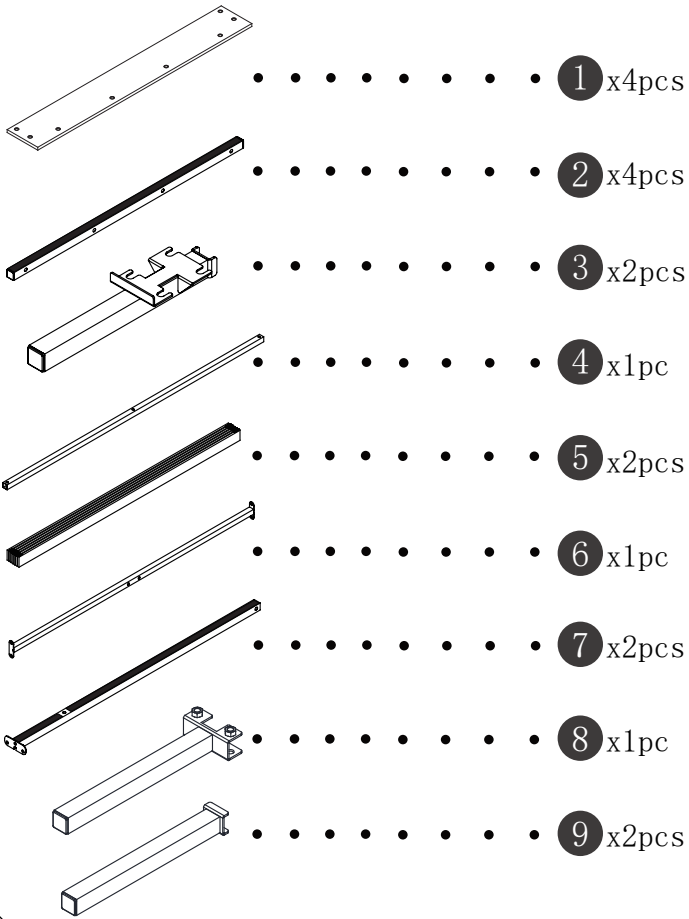


Important Note

HARDWARE NOTE :

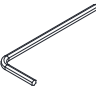
1. Two or more people are required for assembly
2. Do not screw on the bolts too tight unless the installation is done. Make sure all bolts are tightly screwed before you use it.

Components




 $\phi 15 \times 10$ • • • • • • • • • • **H** x10pcs

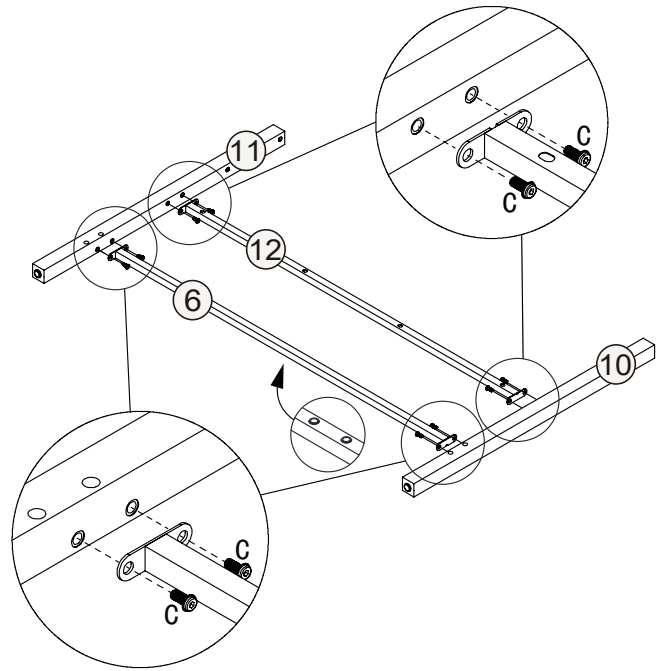
 $\phi 7 \times 40$ • • • • • • • • • • **I** x10pcs


 M5 • • • • • • • • • • **J** x1pc


 M8 • • • • • • • • • • **K** x1pc

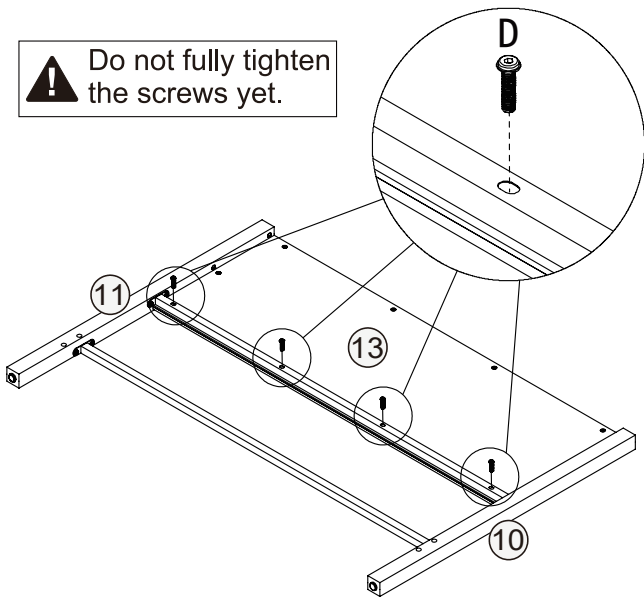
 • • • • • • • • • • **M** x1pc


 Do not fully tighten the screws yet.




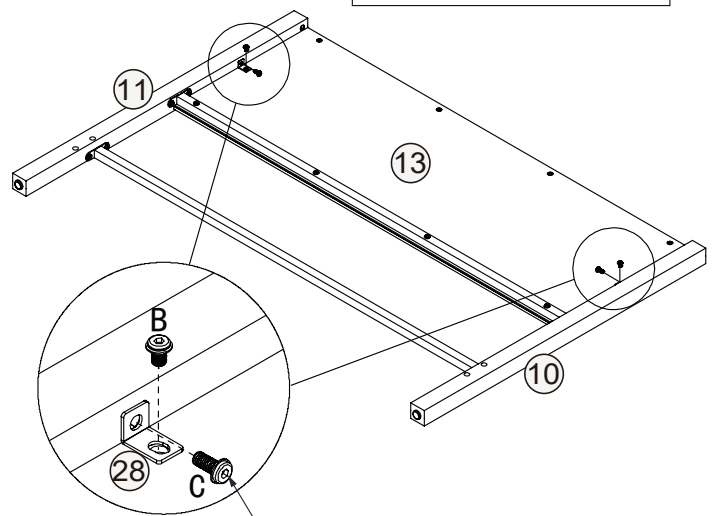
C		8pcs
----------	--	------

 Do not fully tighten the screws yet.





D		4pcs	white zinc
----------	---	------	------------

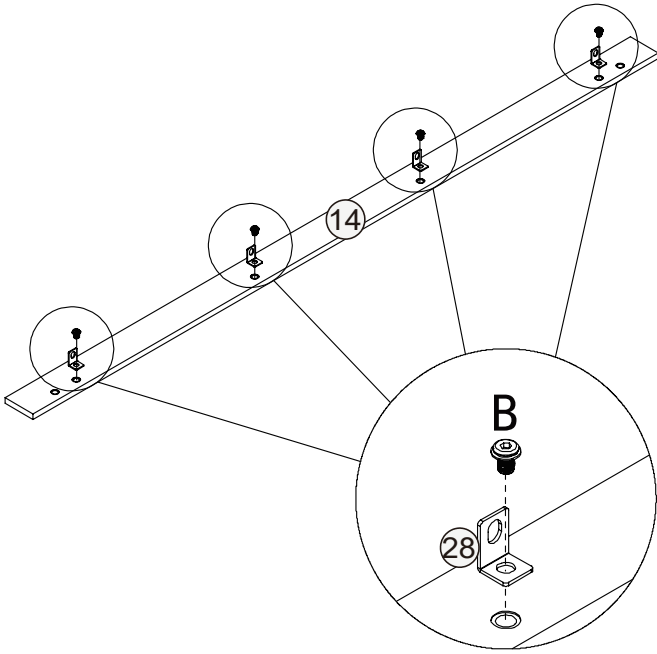
 Do not fully tighten the screws yet.



to Assemble first

B		2pcs	white zinc
C		2pcs	

4

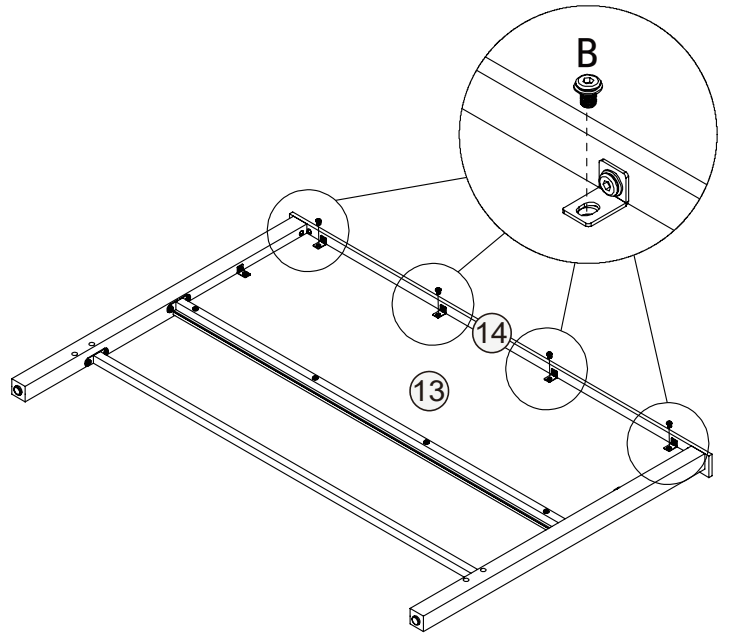



⚠ Do not fully tighten the screws yet.

B		4pcs	white zinc
---	---	------	------------

5

⚠ Do not fully tighten the screws yet.

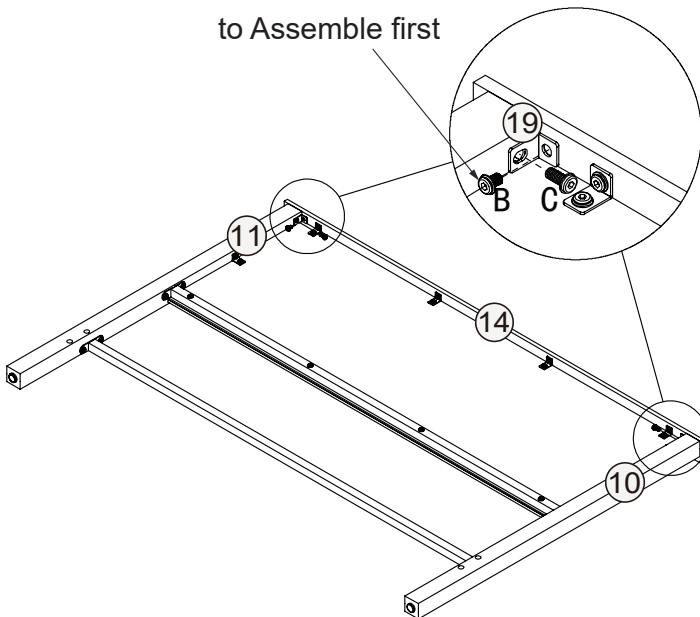




B		4pcs	white zinc
---	---	------	------------

6

⚠ Fully tighten all the screws.

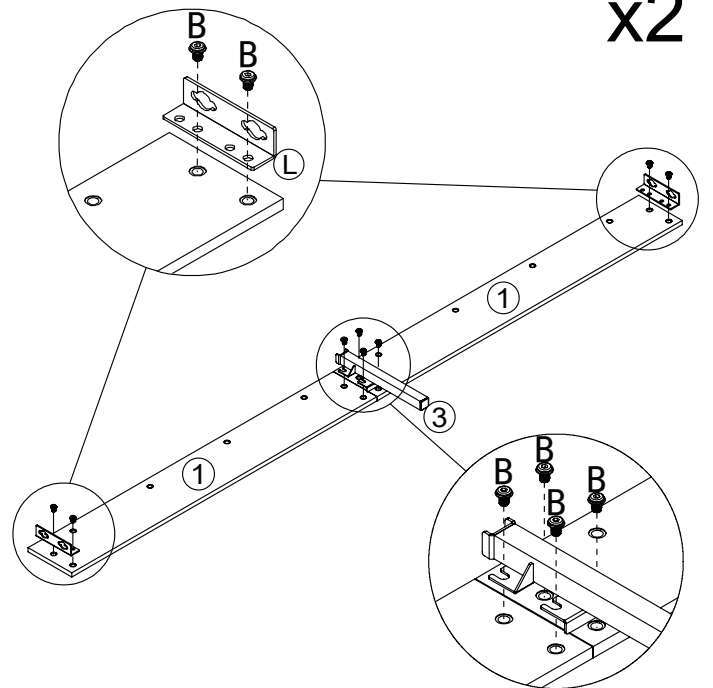
to Assemble first



B		2pcs	white zinc
C		2pcs	

7

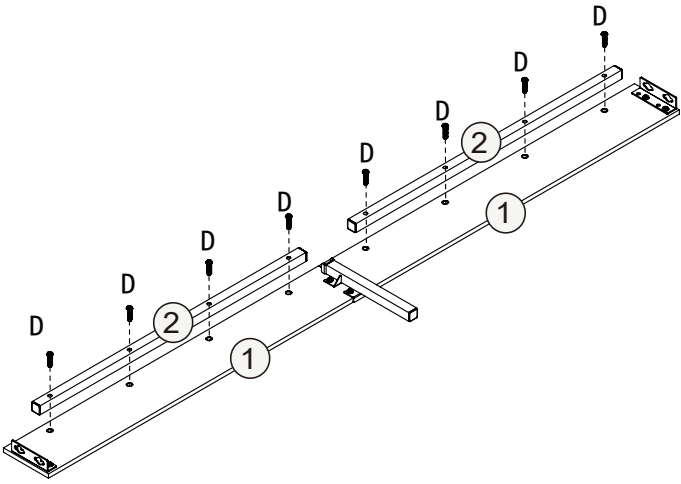
x2



B		16pcs	white zinc
---	--	-------	------------

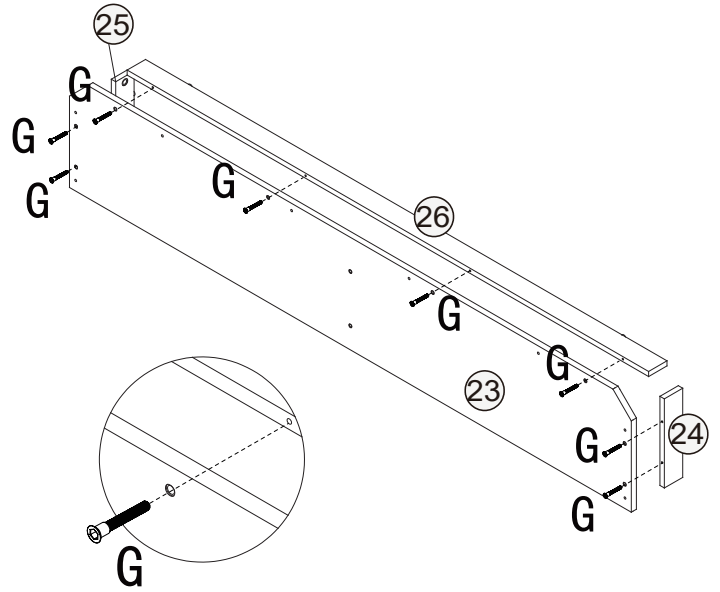
8

x2



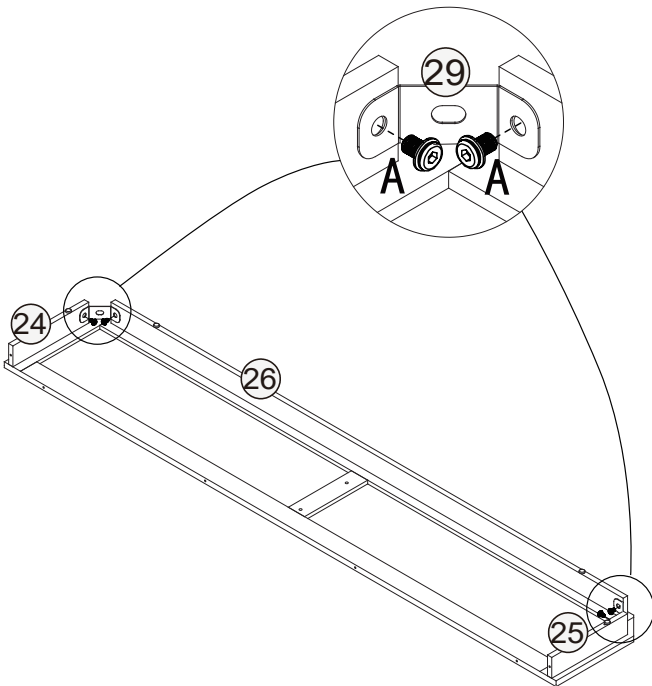
D		16pcs	white zinc
---	---	-------	------------

9



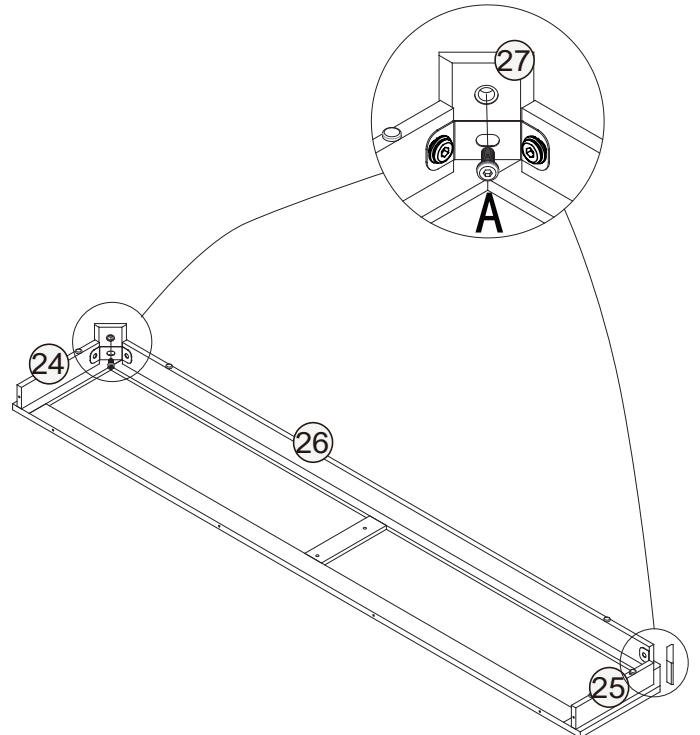
G		M5x40	8pcs
---	---	-------	------

10



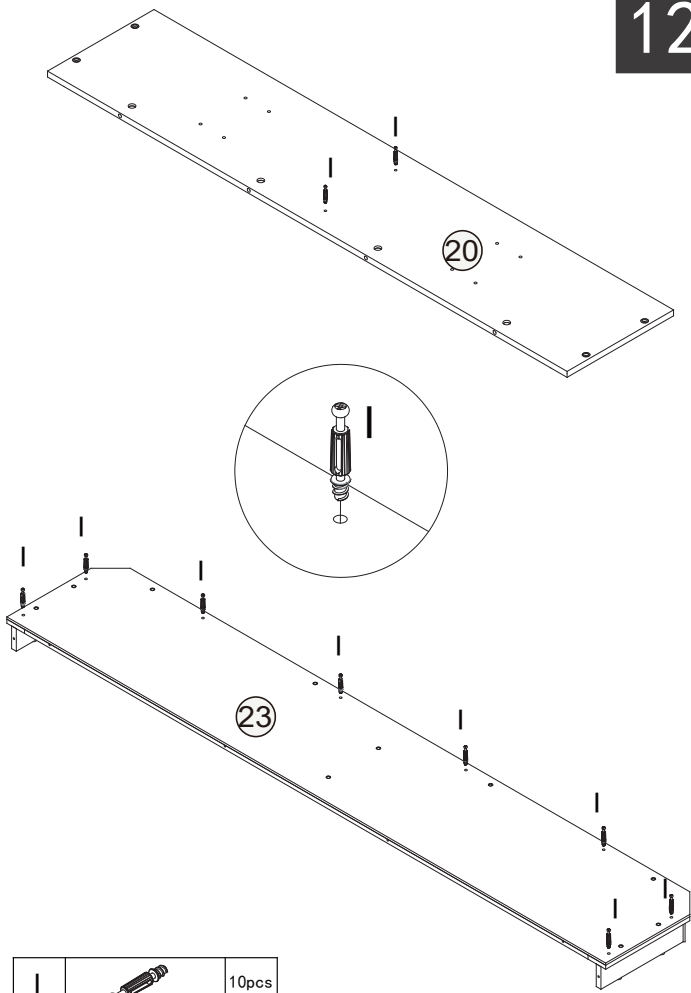
A		4pcs
---	---	------

11

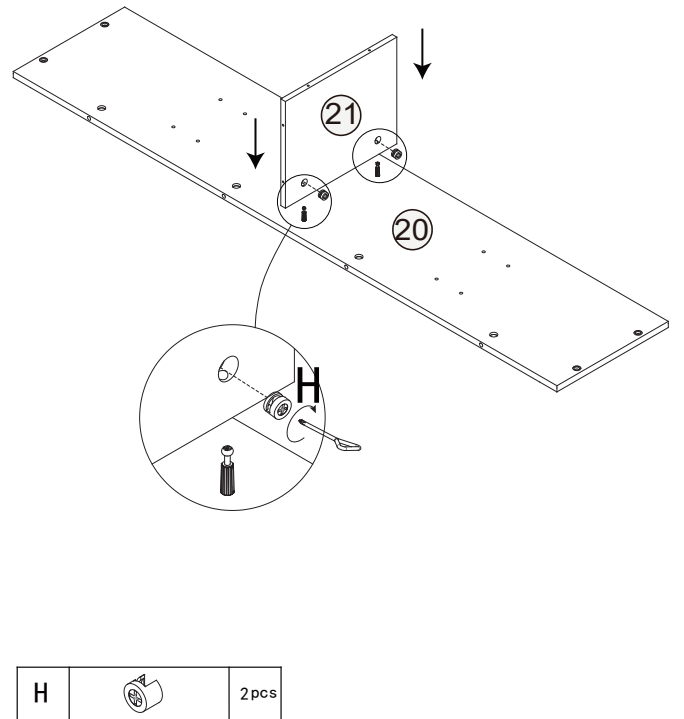


A		2pcs
---	---	------

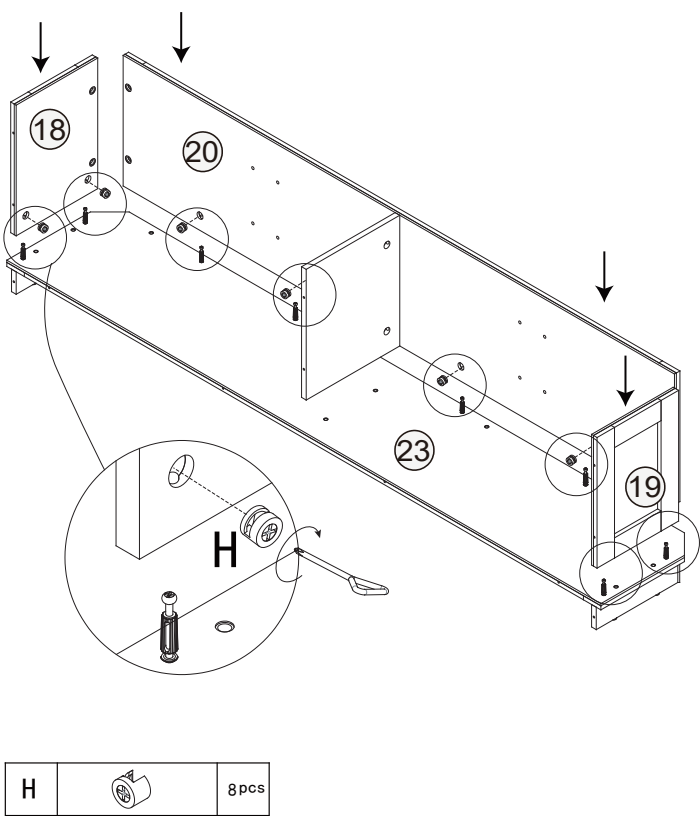
12



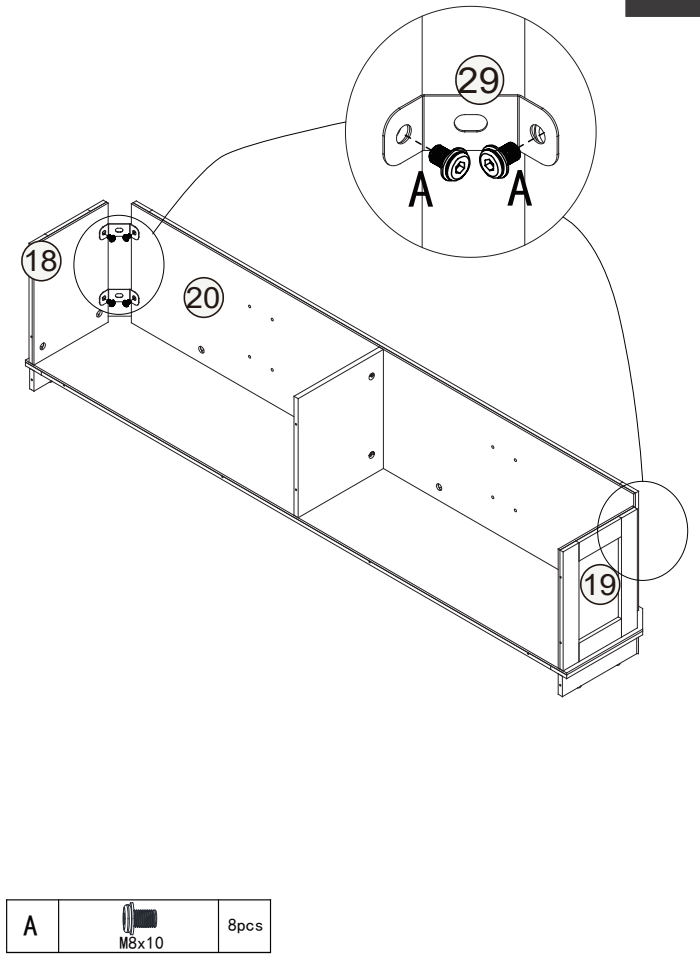
13



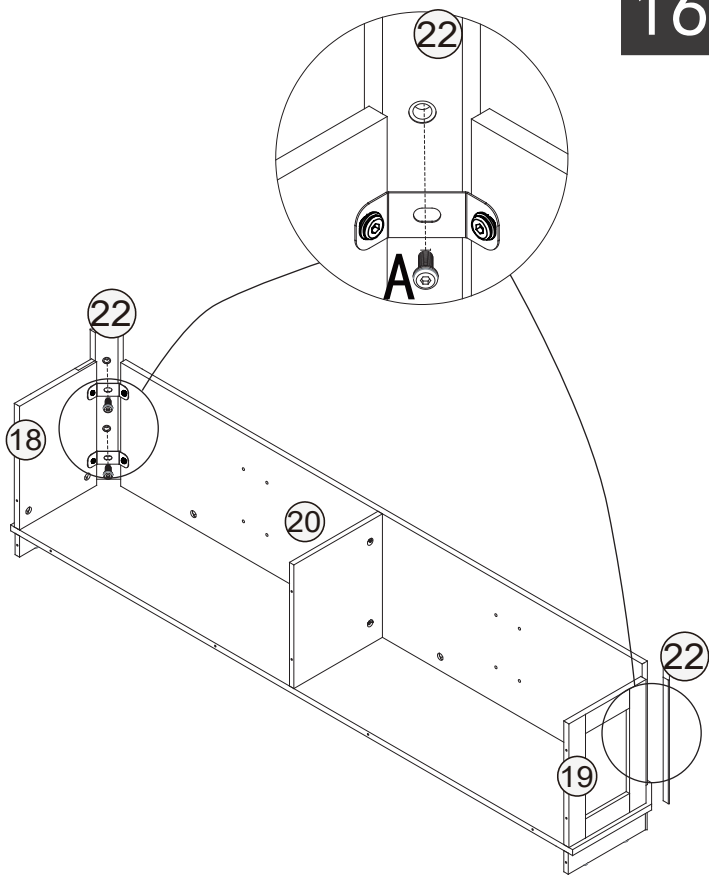
14



15

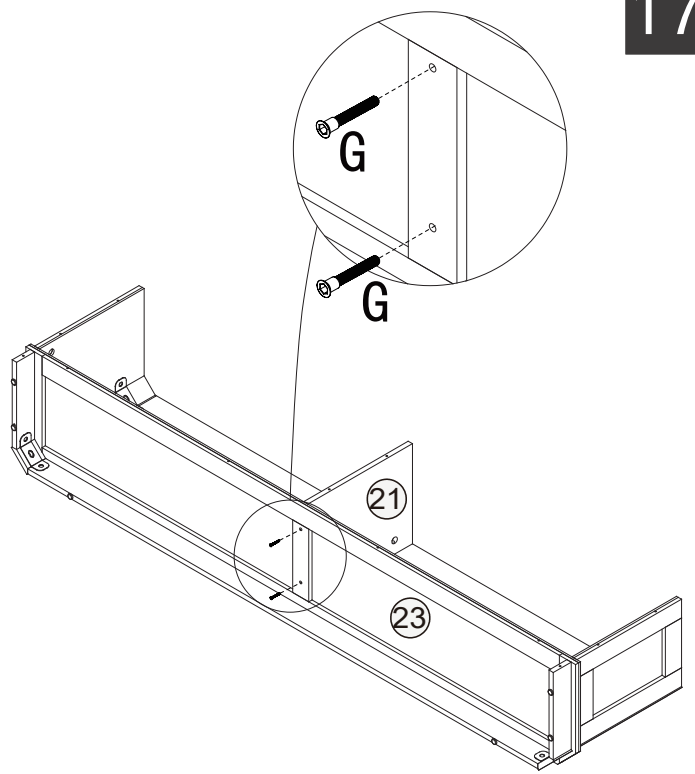


16



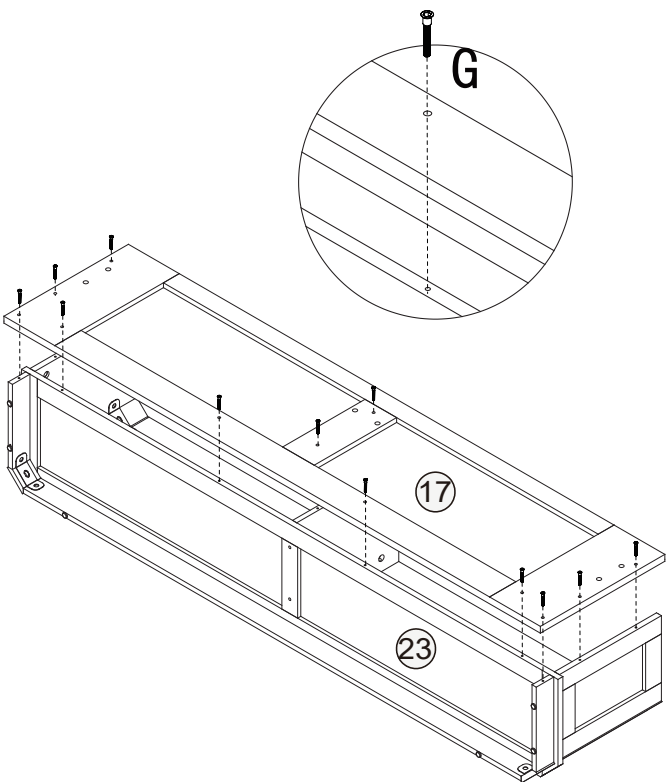
A		M8x10	4pcs
---	--	-------	------

17



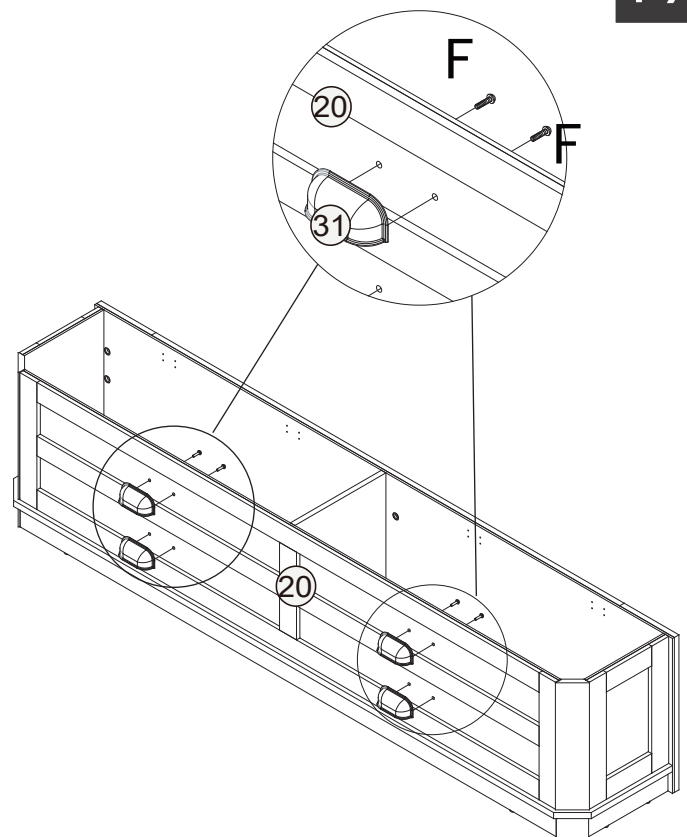
G		M5x40	2pcs
---	--	-------	------

18



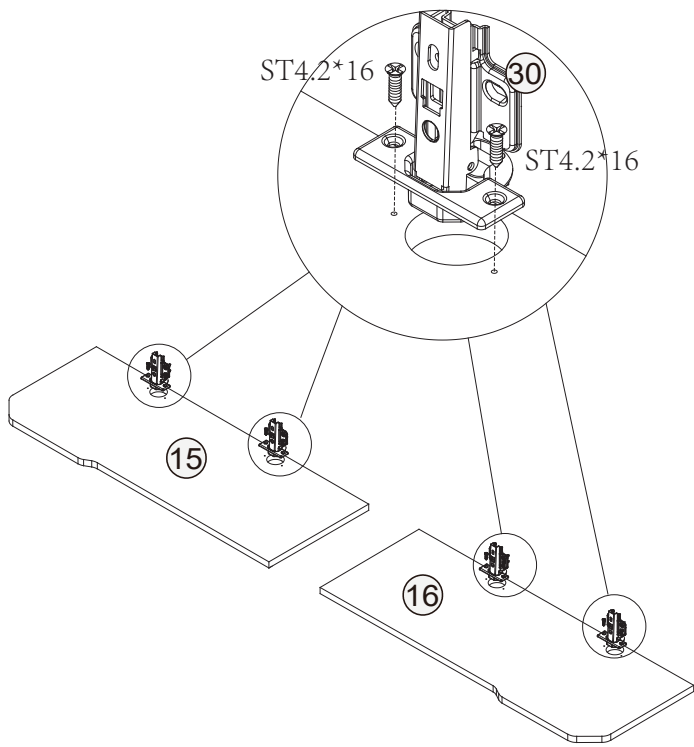
G		M5x40	12pcs
---	---	-------	-------

19

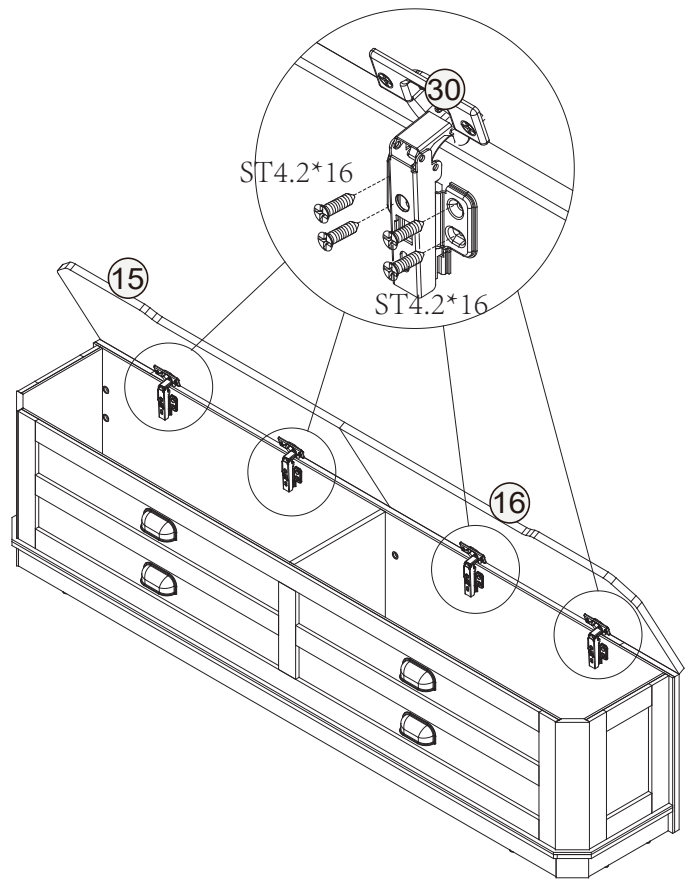


F		M4x8	8pcs
---	---	------	------

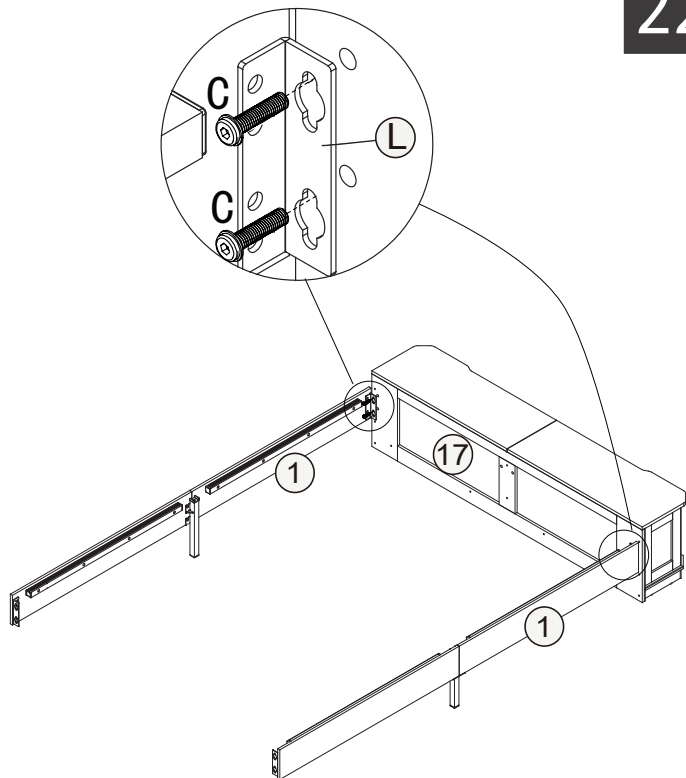
20




21

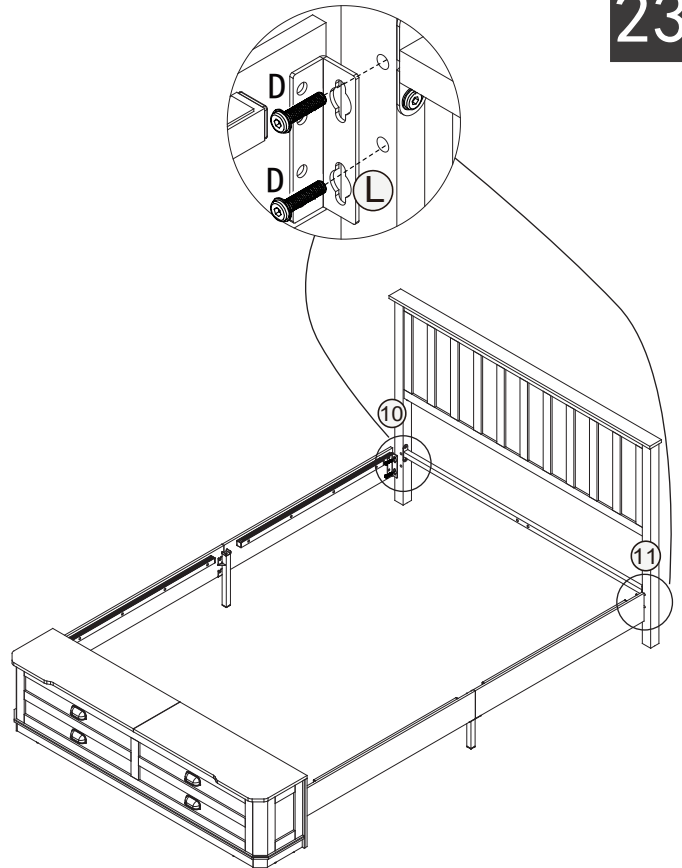


22



C		4pcs
	M8x18	

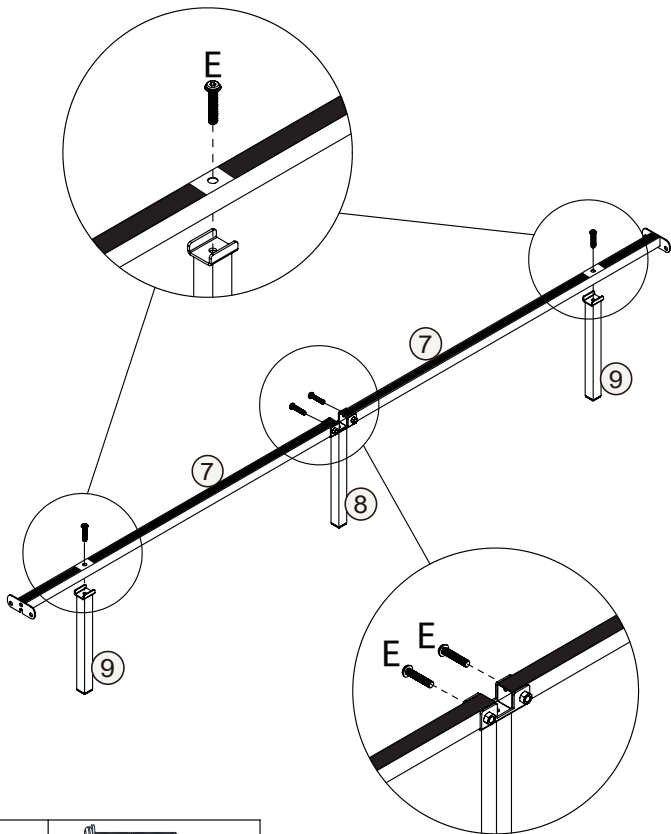
23



D		4pcs	white zinc
	M8x35		

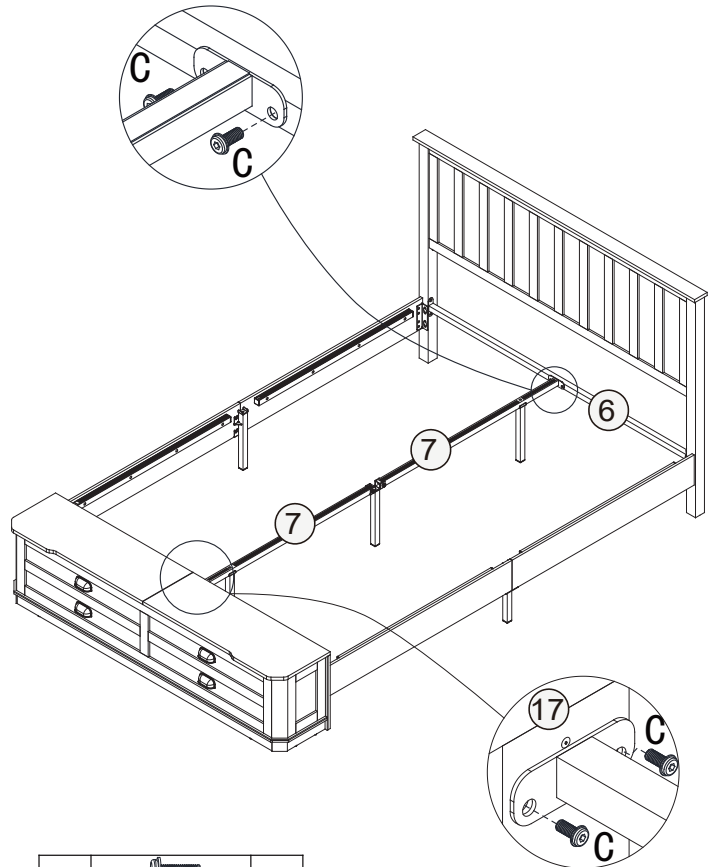
24

⚠ Do not fully tighten the screws yet.



E M8x40 4pcs

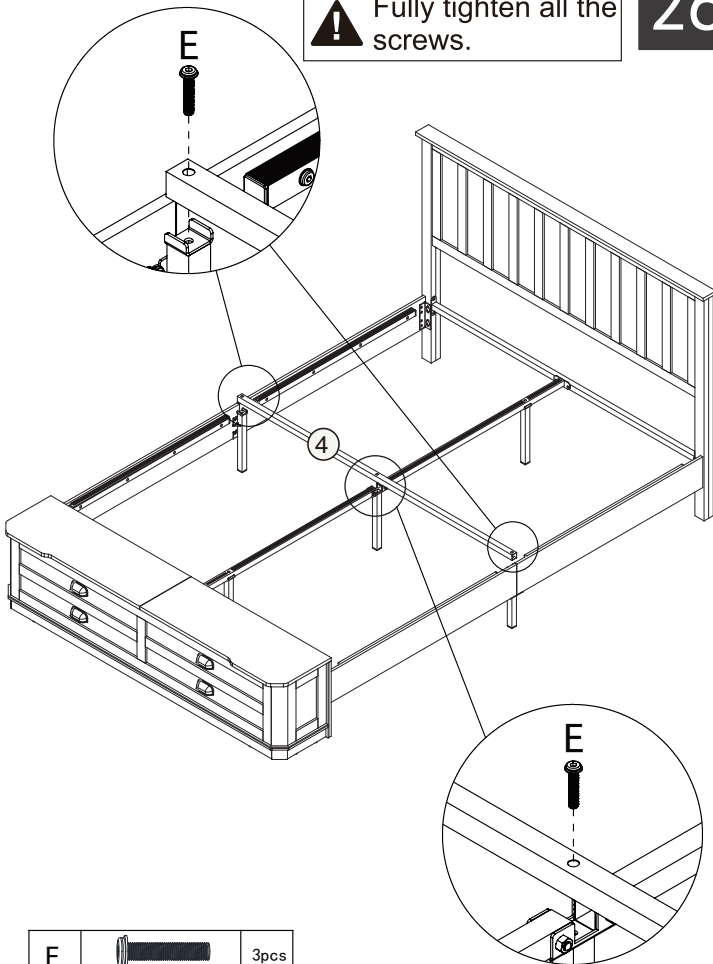
25



C M8x18 4pcs

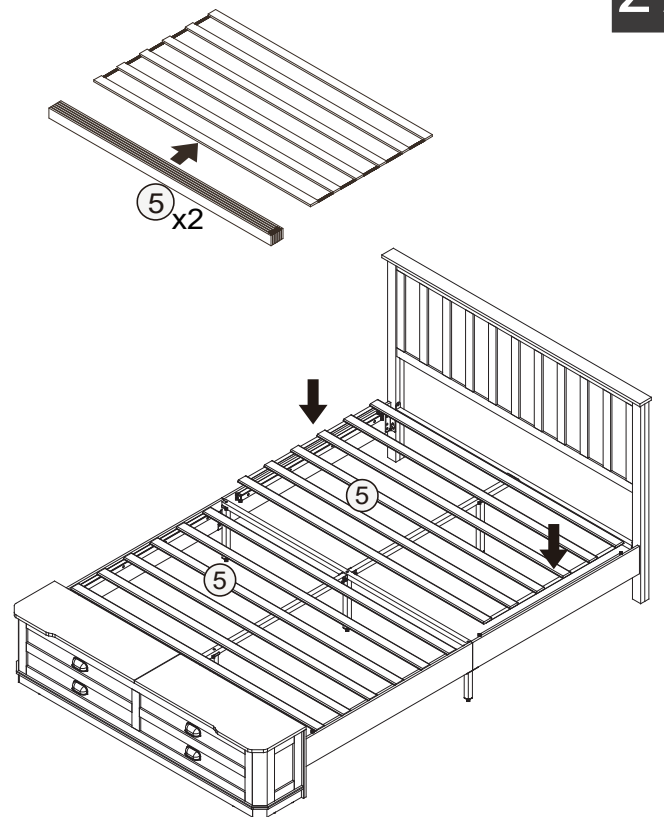
26

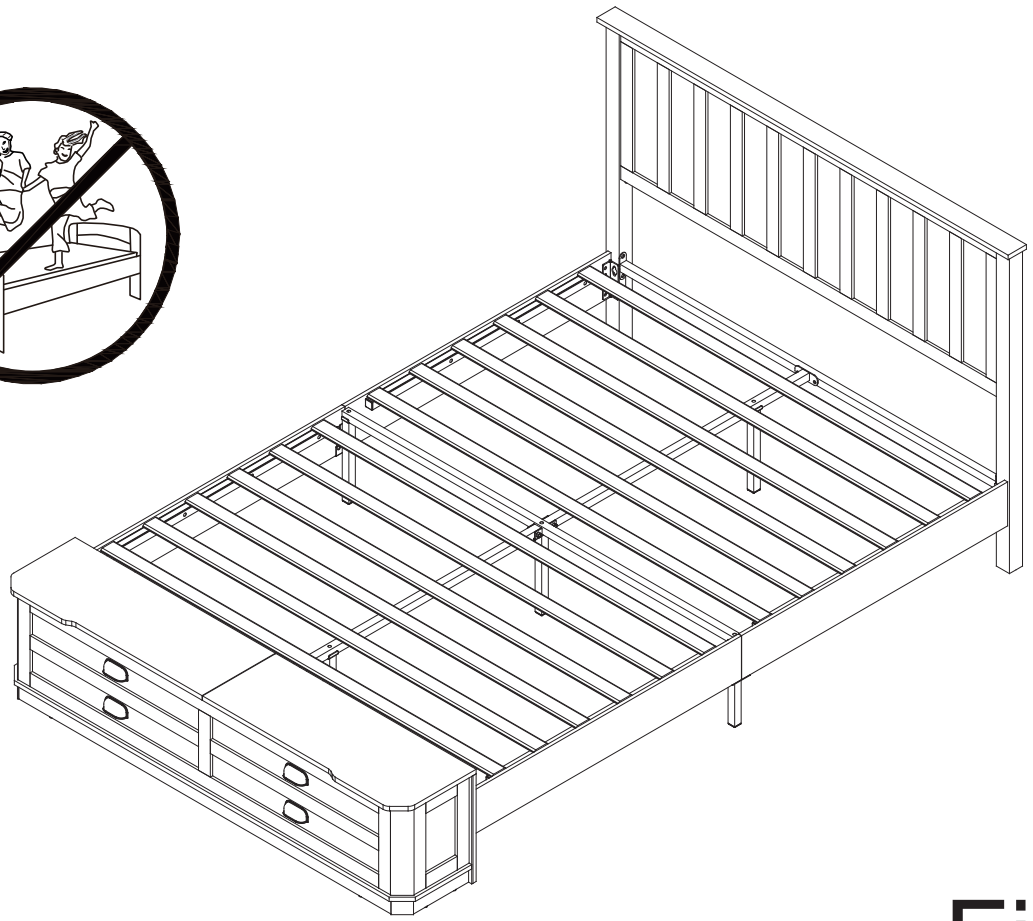
⚠ Fully tighten all the screws.



E M8x40 3pcs

27





Finish