









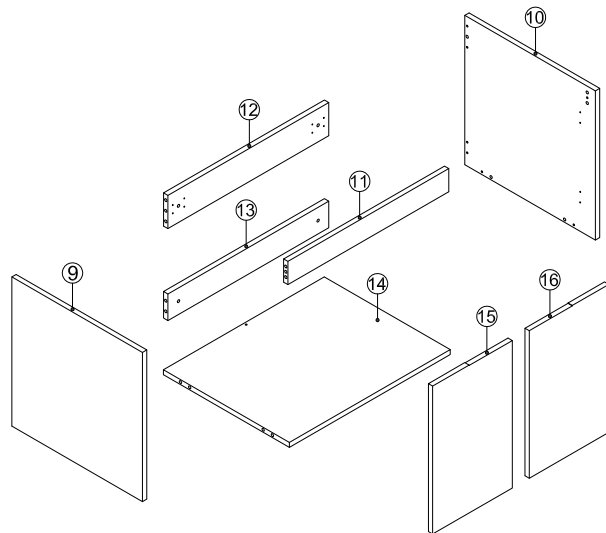
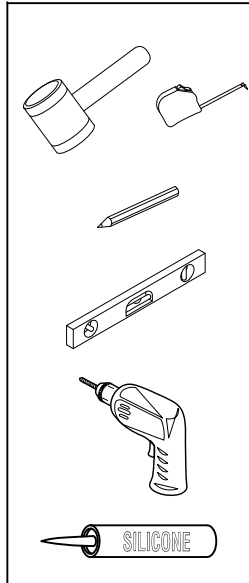
Thank you for shopping with us!

We encourage you to take a few minutes to go through this booklet. It contains important information on installation and care tips to keep your furniture looking as good as new.

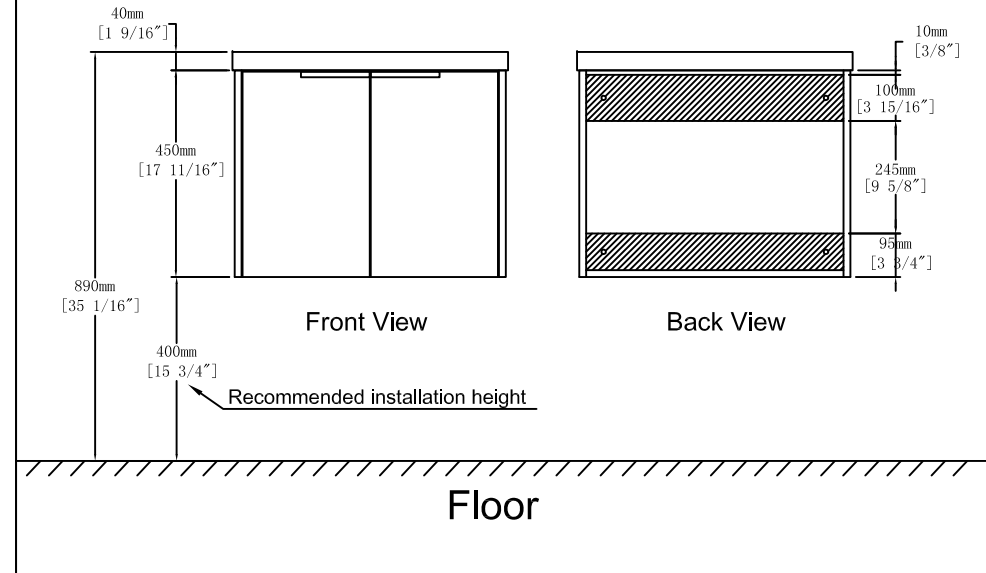
Hardware

NO.	Description	QTY
1	 Screws $\varnothing 4 \times 14 \text{mm}$	40
2	 Three-in-one connector	15
3	 Wood plug	10
4	 Hinges	4
5	 Handle (Screws $\varnothing 3.5 \times 14 \text{mm}$)	2
6	 Bracket (68*68*40mm)	2
7	 Screws for fix on the wall M5.5x60	4
8	 Screwdriver	1

Tools

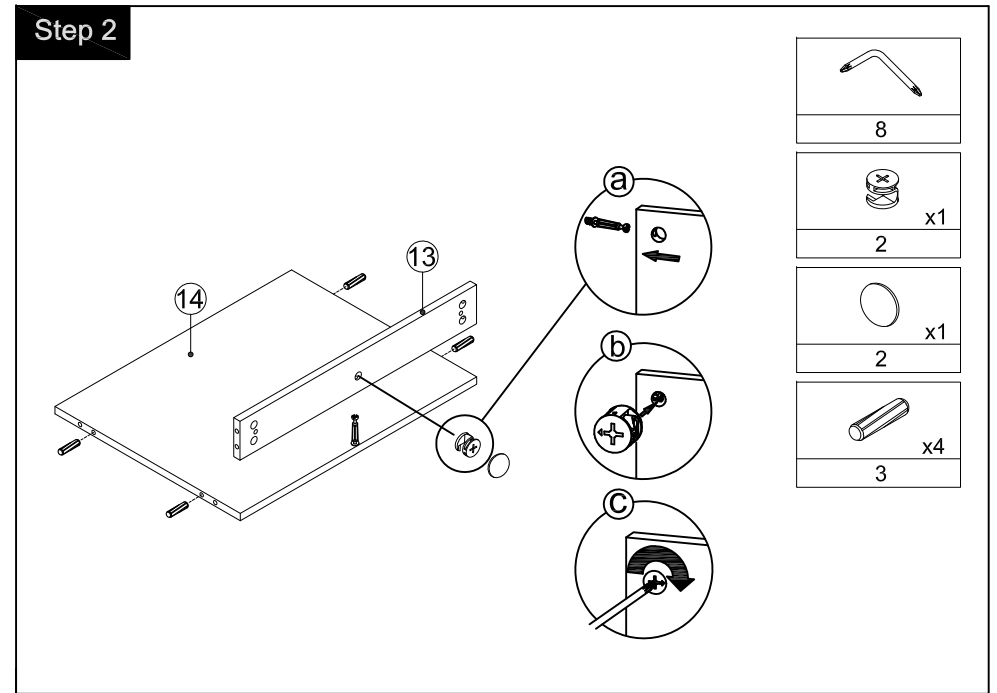
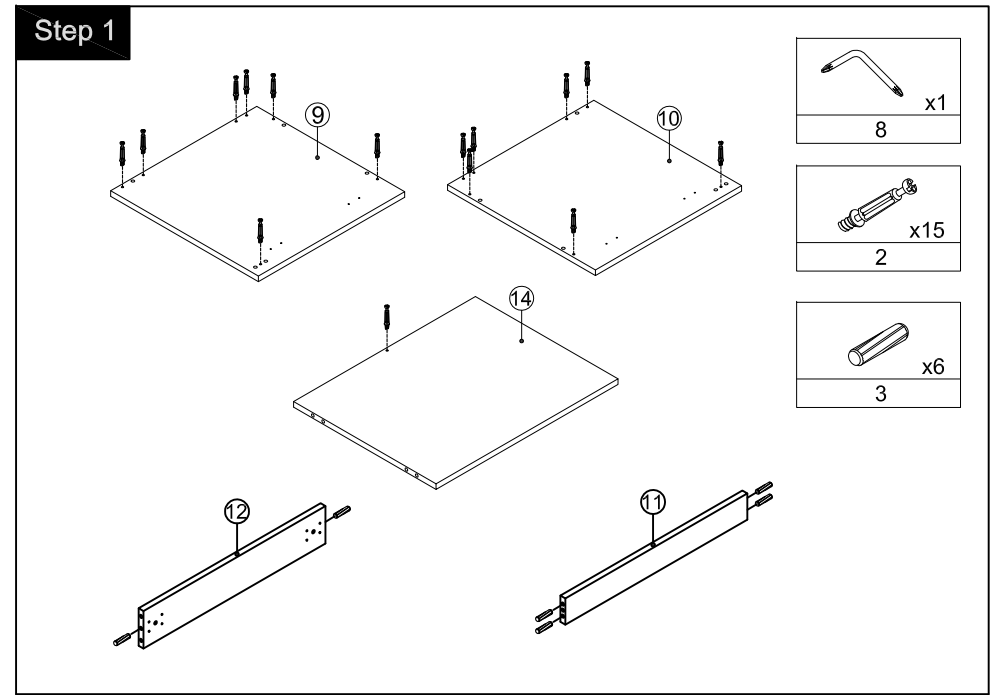
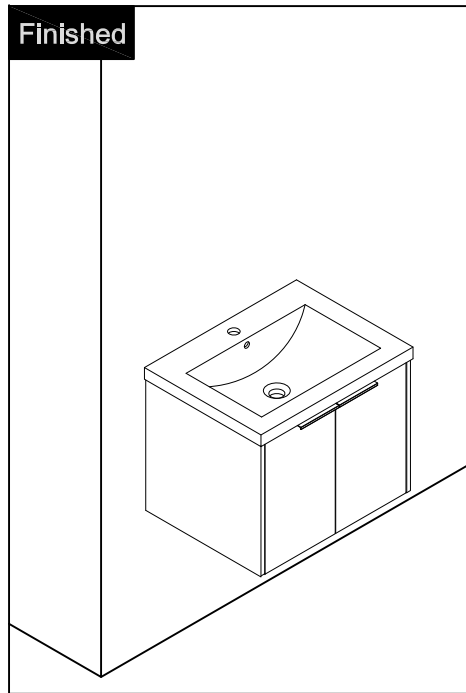
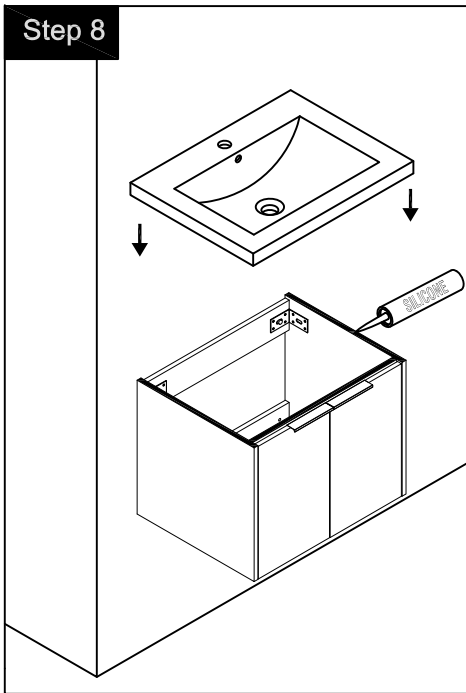
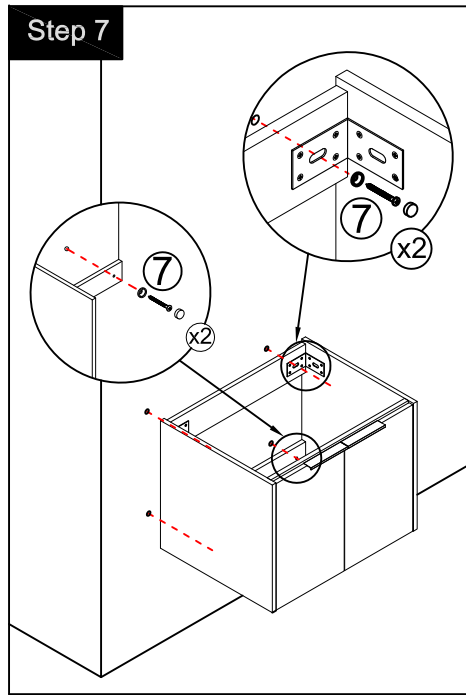
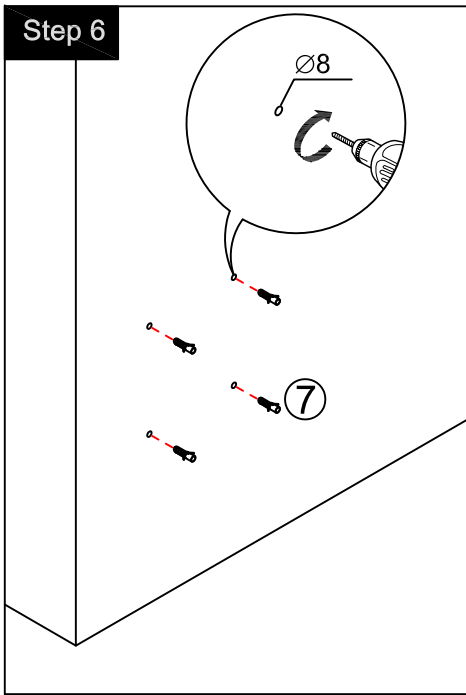


Dimensions

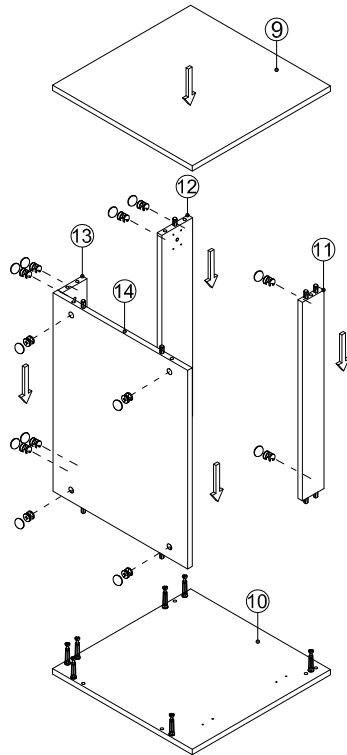





CARE CLEANING AND MAINTENANCE

1. Dust regularly with a soft, dry cloth.
2. Avoid the use of all chemicals household cleaners, abrasives, or cleaners that contain lemon, vinegar, or other acids that may damage the finish.
3. Excessive exposure to sunlight and extreme changes in temperature and moisture can damage wood furniture.
4. The sink top is resilient, but care needs to be taken to preserve its appearance.
5. Do not place hot appliances, such as curling irons and hot hair dryers directly on the countertop. Wipe spills immediately.

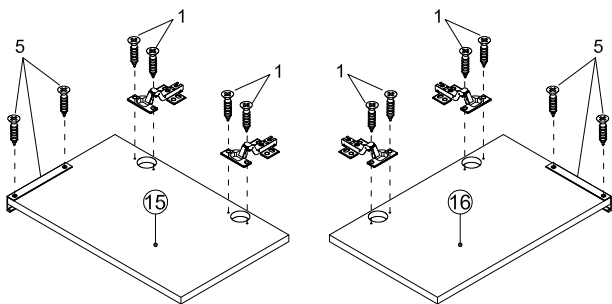


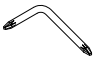



Step 3



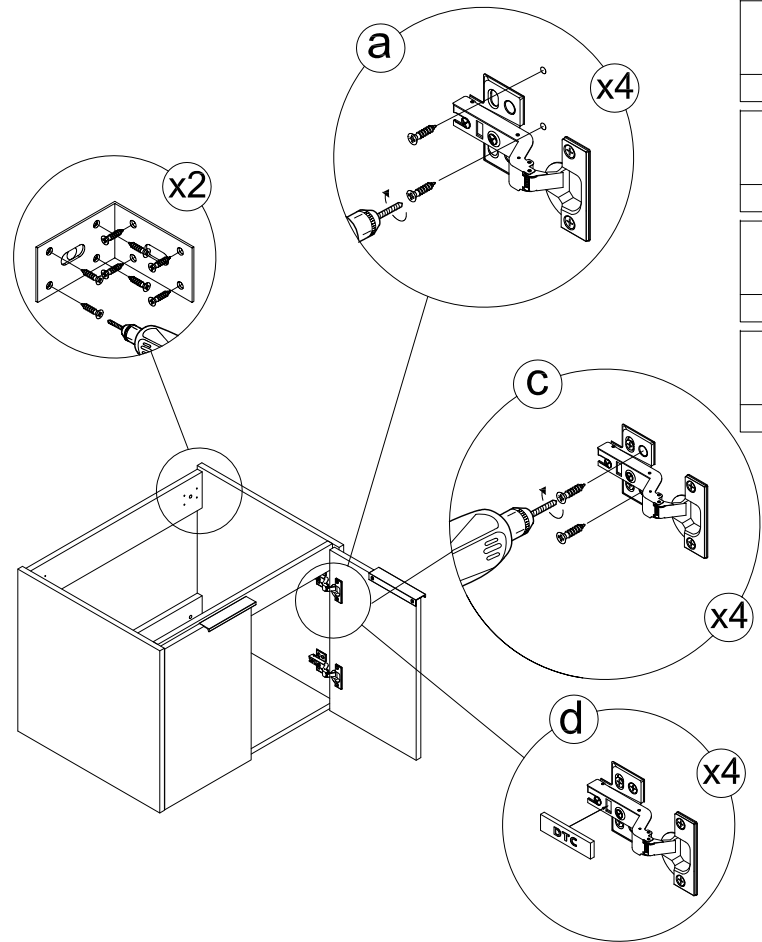
	8
	x14
	x14
	2





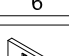
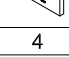

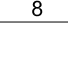
Step 4

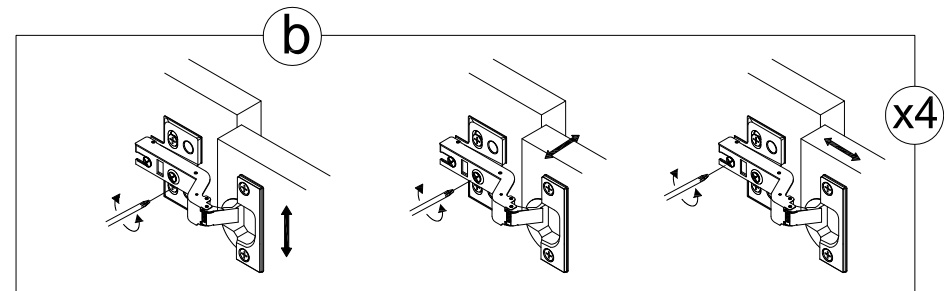


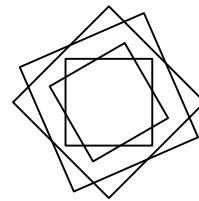
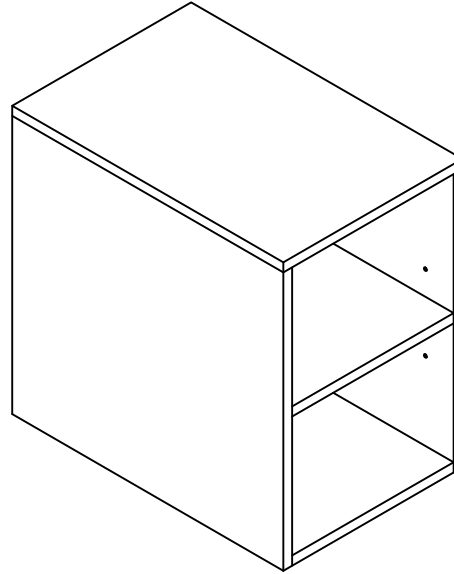
	8
	x8
	x4
	x2
	5

Step 5



	Tool
	x32
	1
	x2
	6
	x4
	4
	8



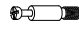









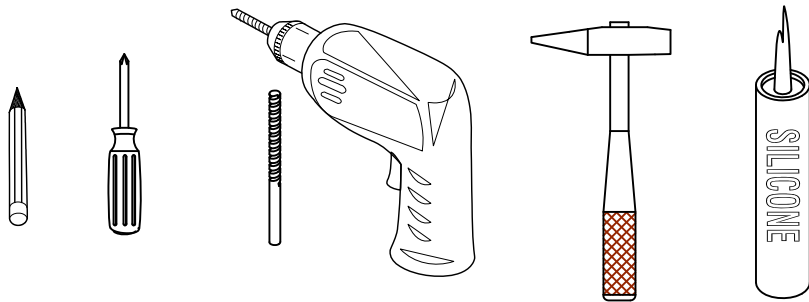
Thank you for shopping with us!

We encourage you to take a few minutes to go through this booklet. It contains important information on installation and care tips to keep your furniture looking as good as new.

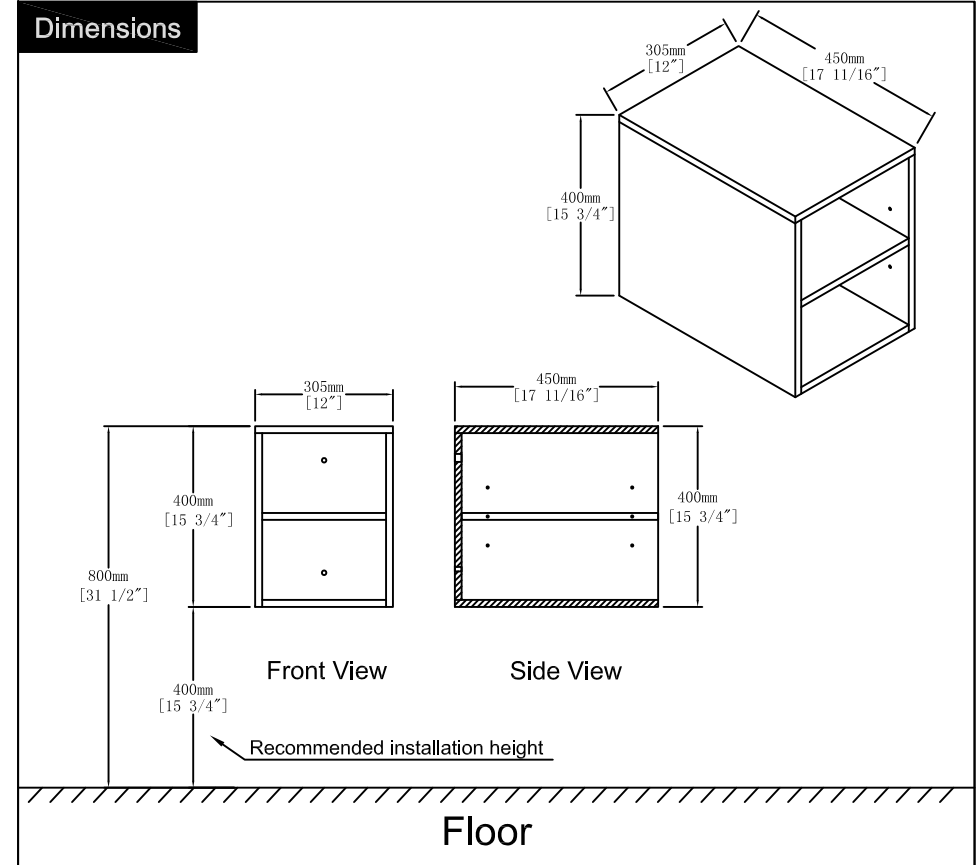
Hardware

NO.	Draw	QTY	NO.	Draw	QTY
A	 Screws	4	E	 Plastic anchor(Ø10mm)	2
B	 Two-in-one connector	14	F	 Wall hanging screw decorative cover	2
C	 Two-in-one connector	14	G	 Screws for fix on the wall	2
D	 Wood plug	4	H	 Screwdriver	1

Recommended tools

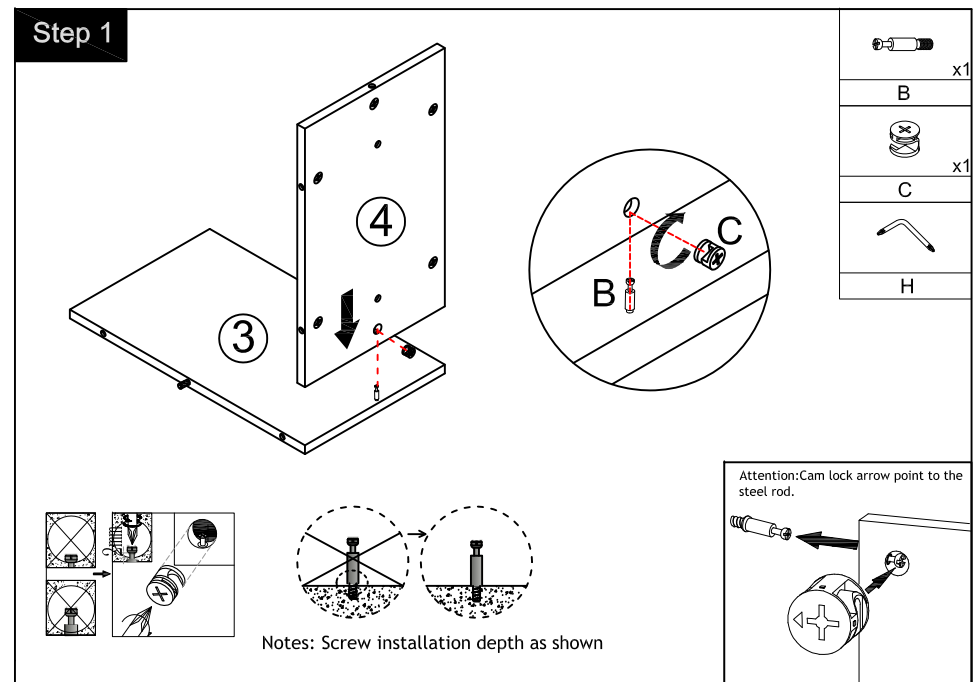
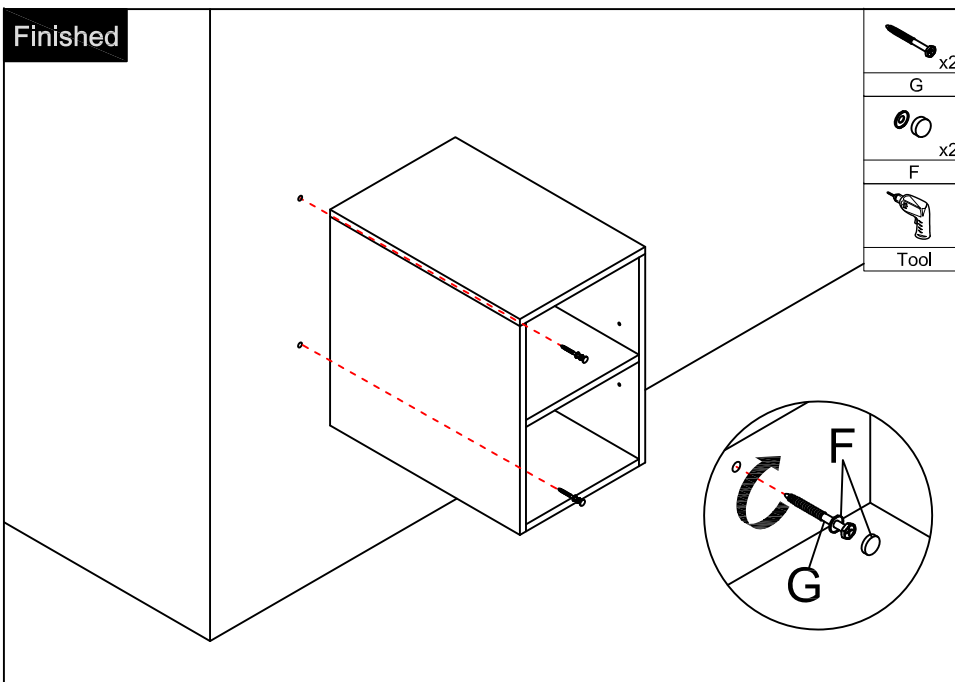
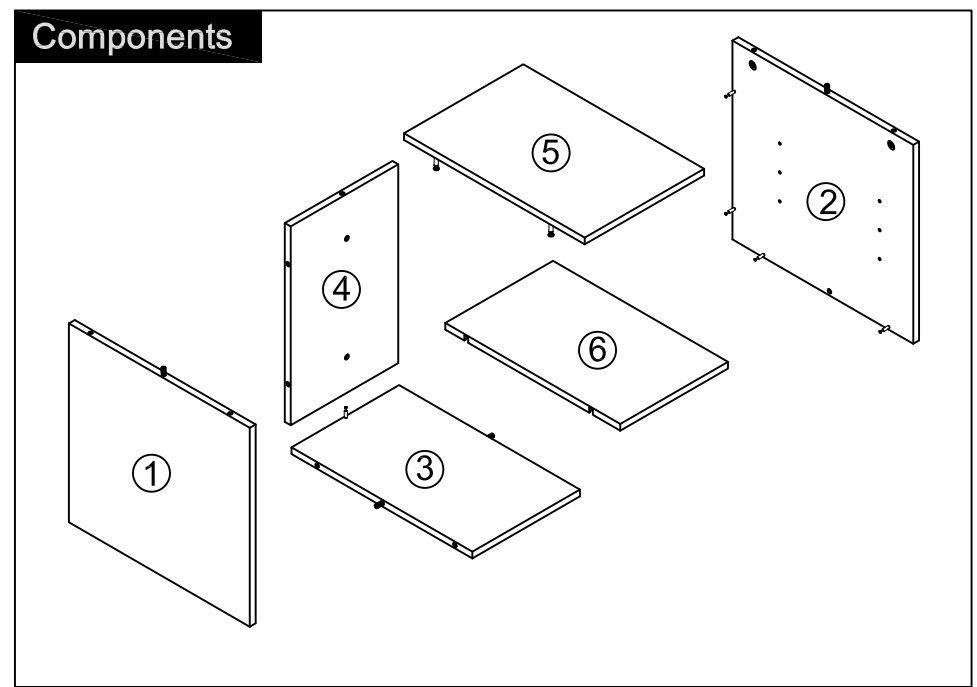
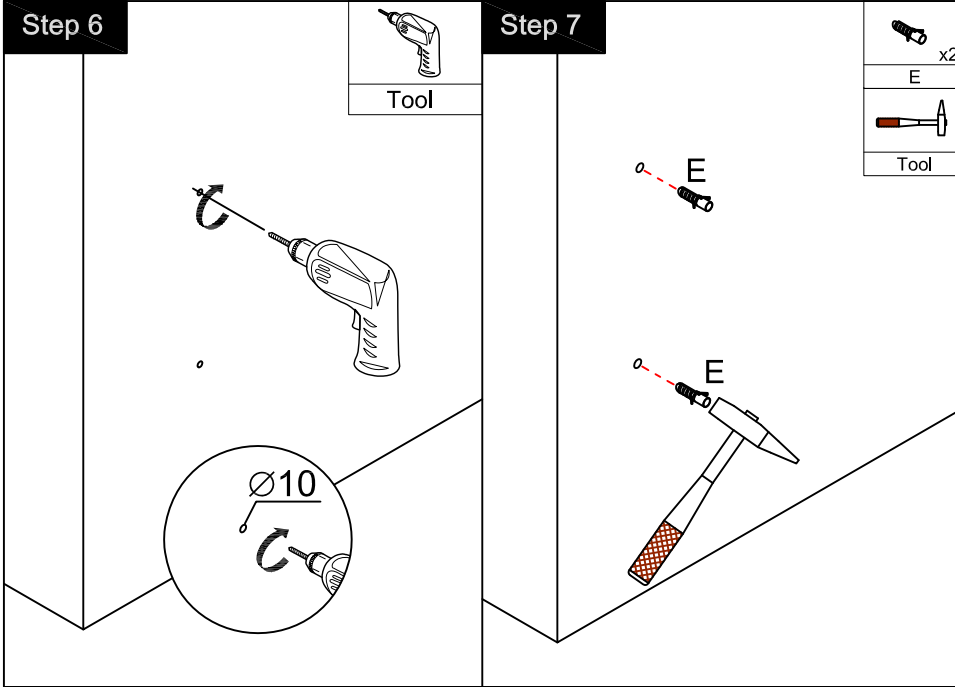


Dimensions

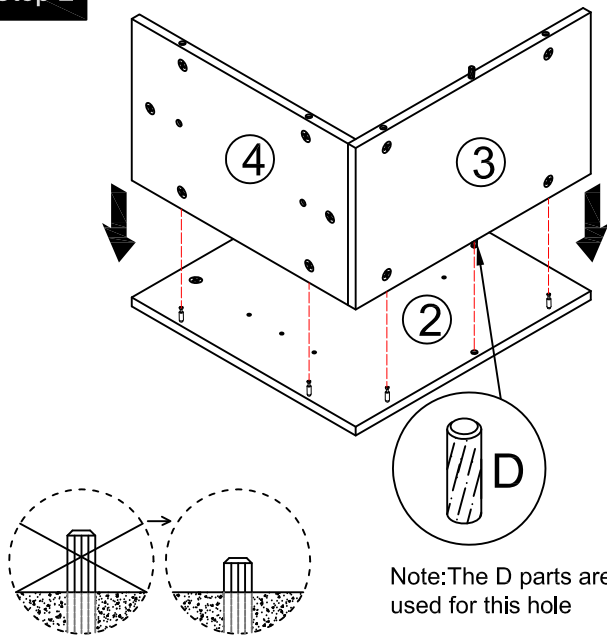


CARE CLEANING AND MAINTENANCE

1. Dust regularly with a soft , dry cloth.
2. Avoid the use of all chemicals household cleaners, abrasives, or cleaners that contain lemon, vinegar, or other acids that may damage the finish.
3. Excessive exposure to sunlight and extreme changes in temperature and moisture can damage wood furniture.
4. The sink top is resilient, but care needs to be taken to preserve its appearance.
5. Do not place hot appliances, such as curling irons and hot hair dryers directly on the countertop. Wipe spills immediately.

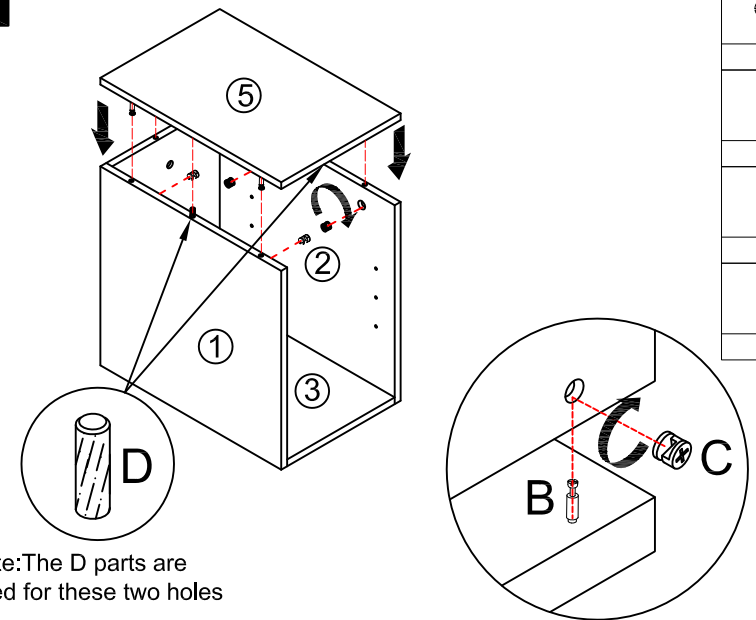


Step 2



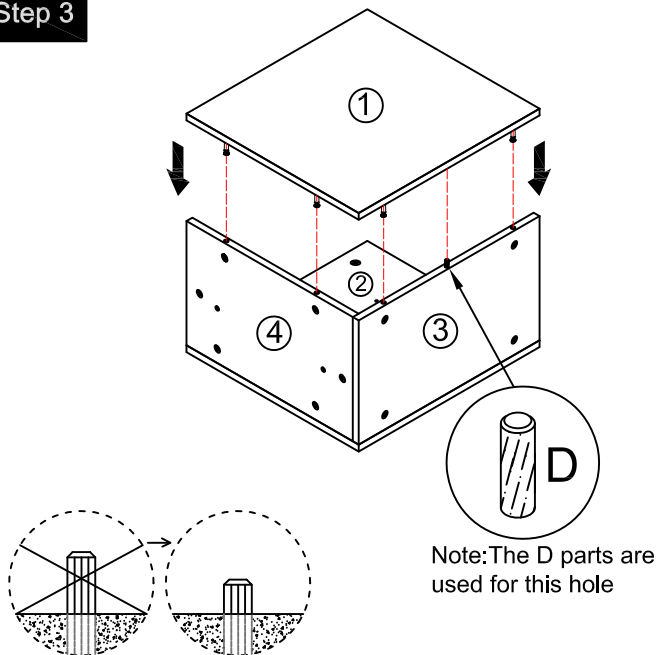
	x4
B	
	x4
C	
	x1
D	
H	

Step 4



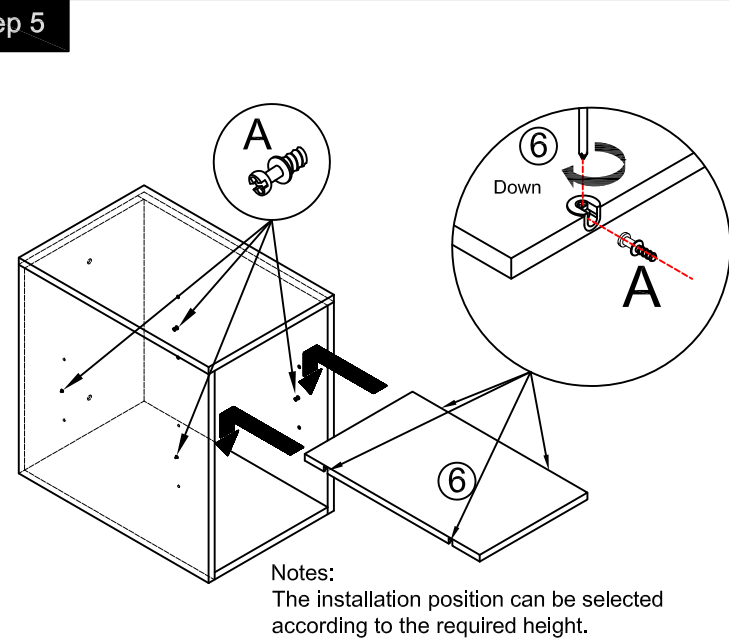
	x5
B	
	x5
C	
	x2
D	
H	

Step 3



	x4
B	
	x4
C	
	x1
D	
H	

Step 5



	x4
A	