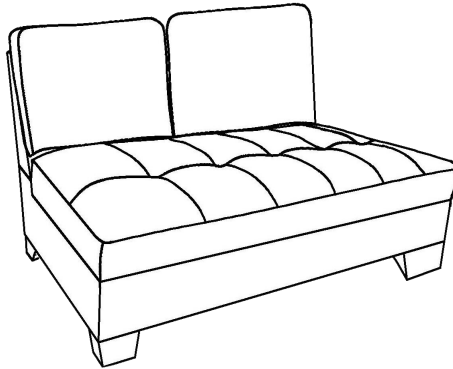


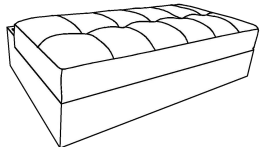
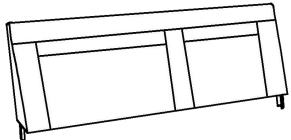
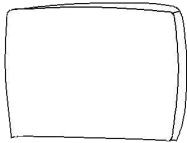
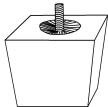
Andrew comments

Caution: You must read this before you proceed






Armless Loveseat



Parts List

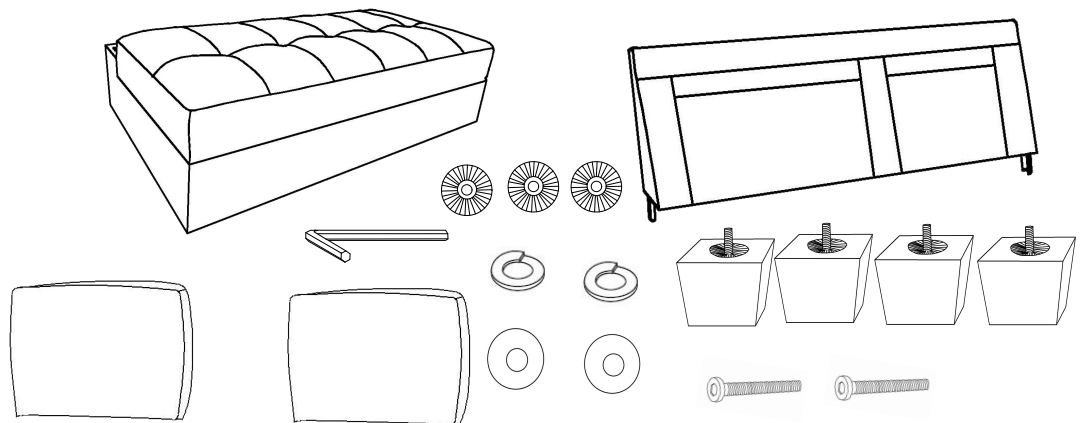
Label	Picture	Description	QTY(pc)
A		Seat Base	1
B		Backrest	1
C		Back Cushion	2
D		Wooden Leg With 1 Plastic Leg	4

Hardware List

Label	Picture	Description	QTY
①		Plastic Gasket	3
②		Allen Wrench	1
③		Spring Ring	2
④		Flat Washer	2
⑤		Bolt(M8*70mm)	2

Assembly Preparation

Before
Begining
Assembly:



- Read instructions, cover to cover-



- Have 2 adults on hand for assembly-



- Do not assemble on flooring or carpet-

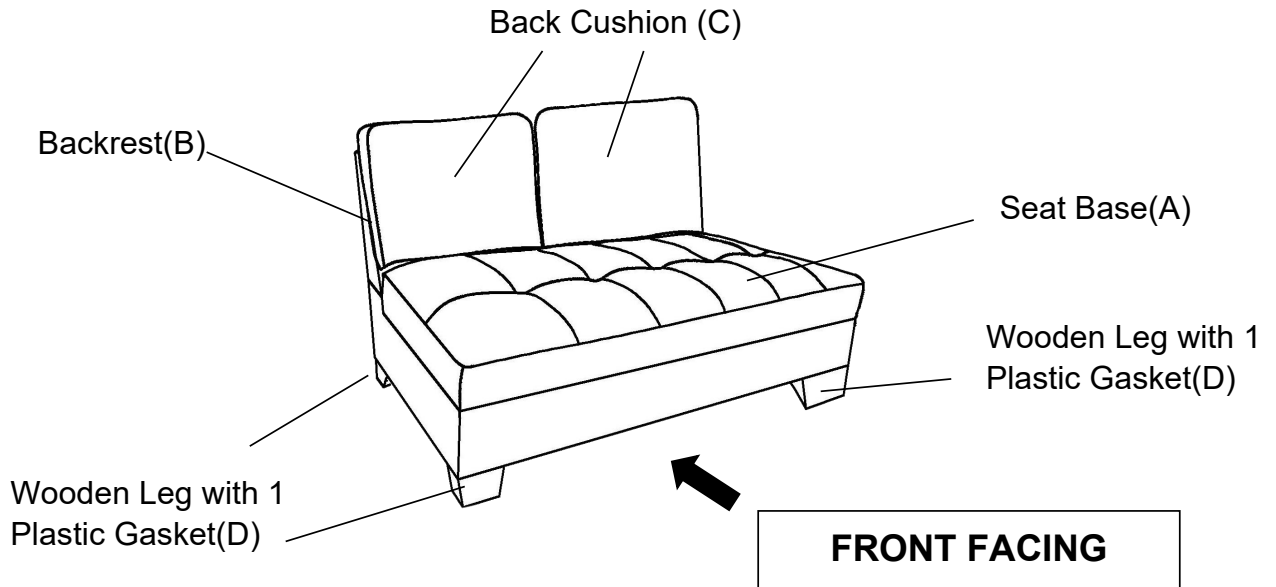


- Assemble on a clean non-marring surface (packing foam)-



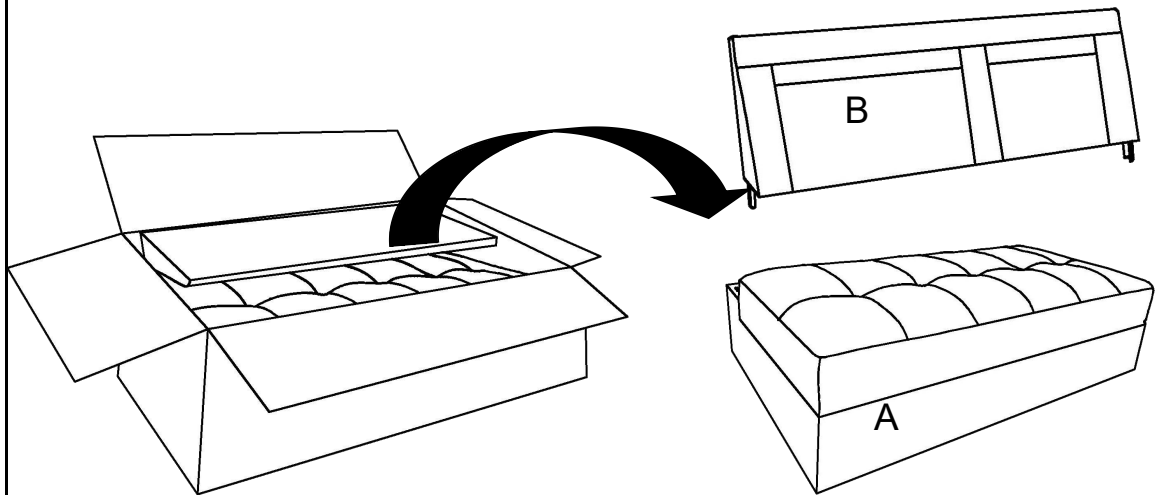
- Save all packaging until finished-

Assembly Steps



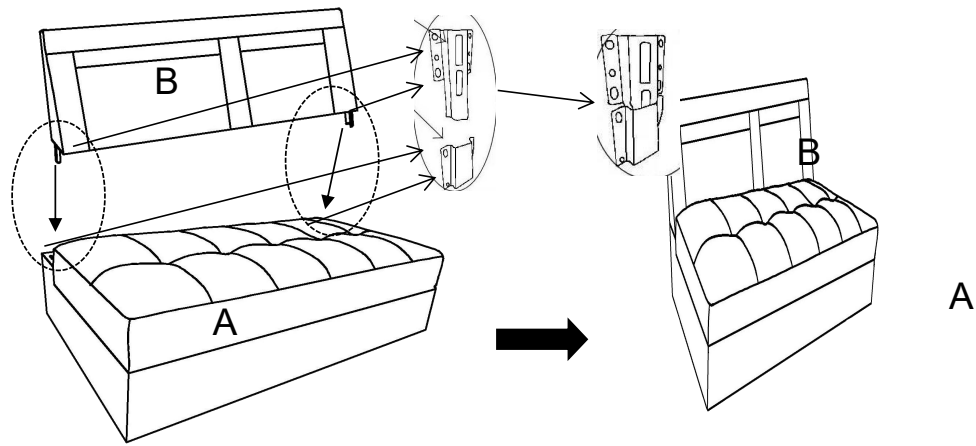
This Loveseat has multiple parts and may require about 30 minutes to assemble. To give you an overview of the Sofa parts, the above picture is to help you put the various parts into perspective. Please read through the instructions below to familiarise yourself with the parts and steps before assembly.

Step 1



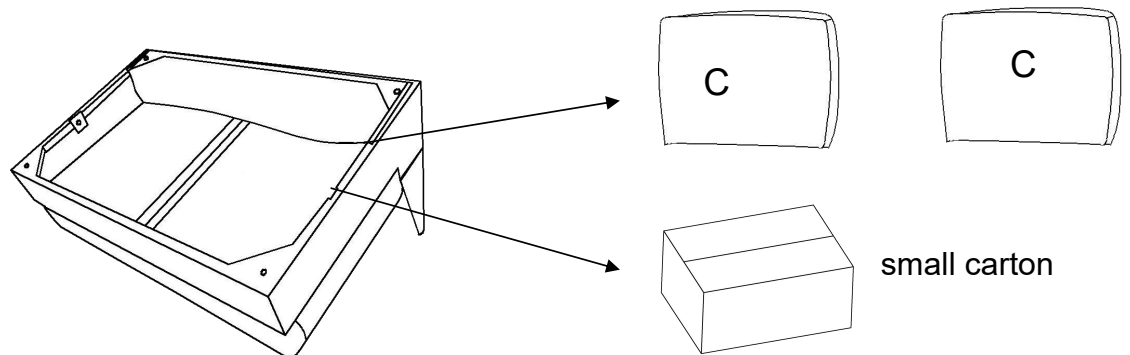
Take out the Backrest(B), Seat Base(A) out from the carton, place them on a clean, non-marring surface.

Step 2



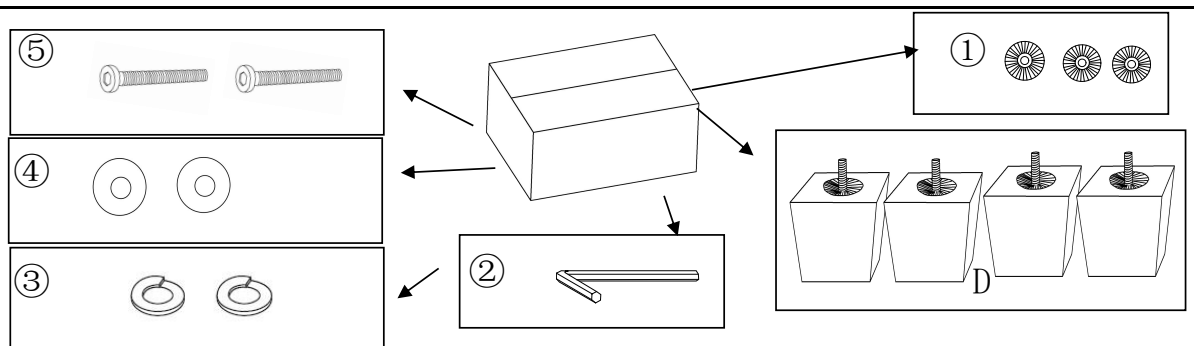
Align the mounting brackets under the the Backrest(B) with those at the top-inside of Seat Base(A),then slide the Backrest(B) downwards to make sure it locks into place as pictured.

Step 3



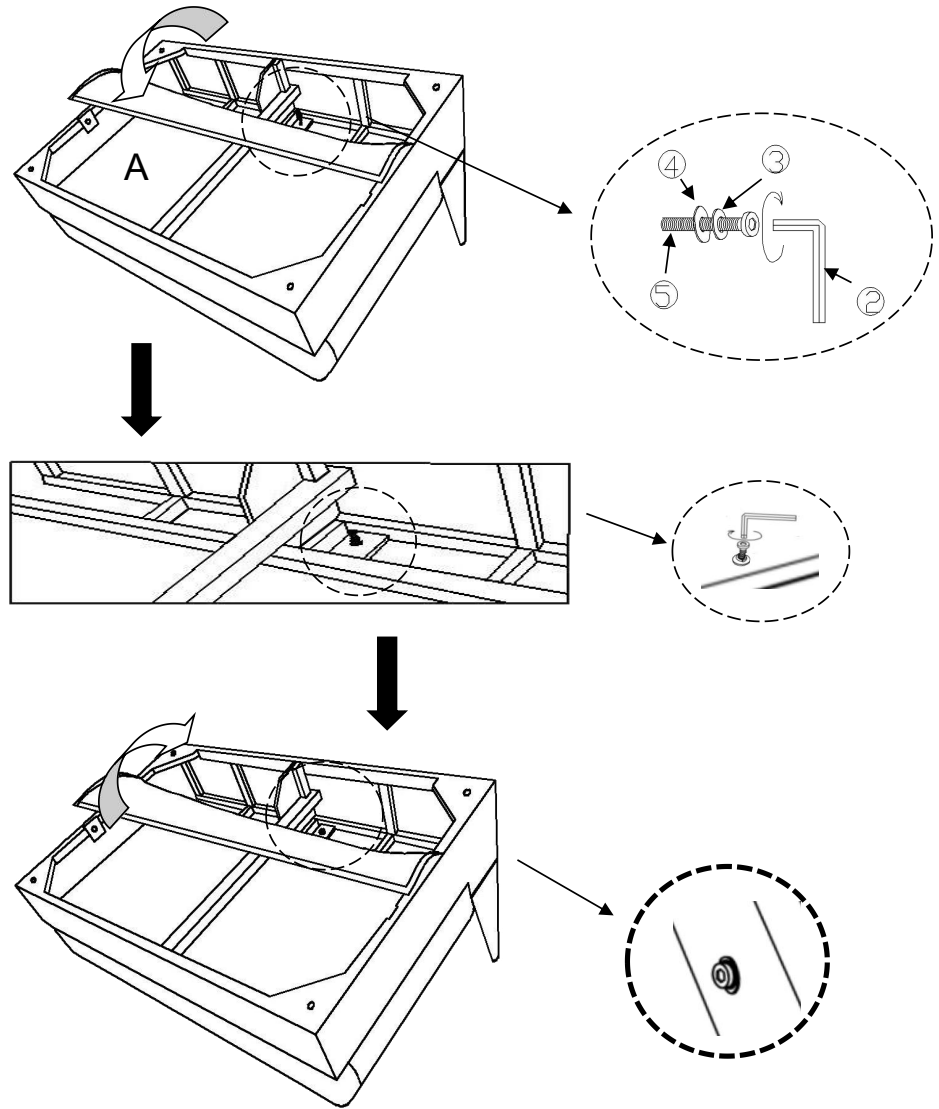
Take out the Back Cushions(C) and small Carton out from the bottom of Seat Base(A).

Step 4



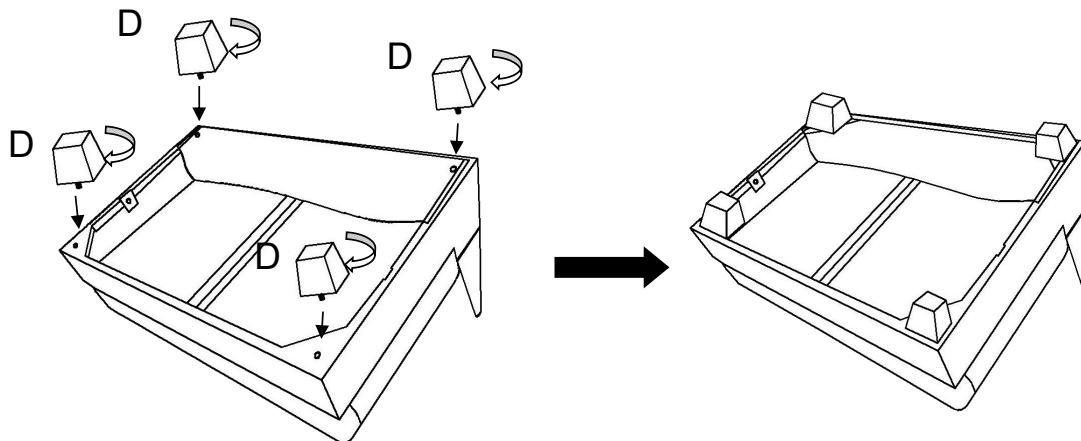
Open the small Carton to take out the Plastic Gasket(①),Wooden Legs with 1 Plastic Gasket(D),Bolts(⑤),Flat Washers(④),Spring Washer(③) and Allen Wrench(②).

Step 5



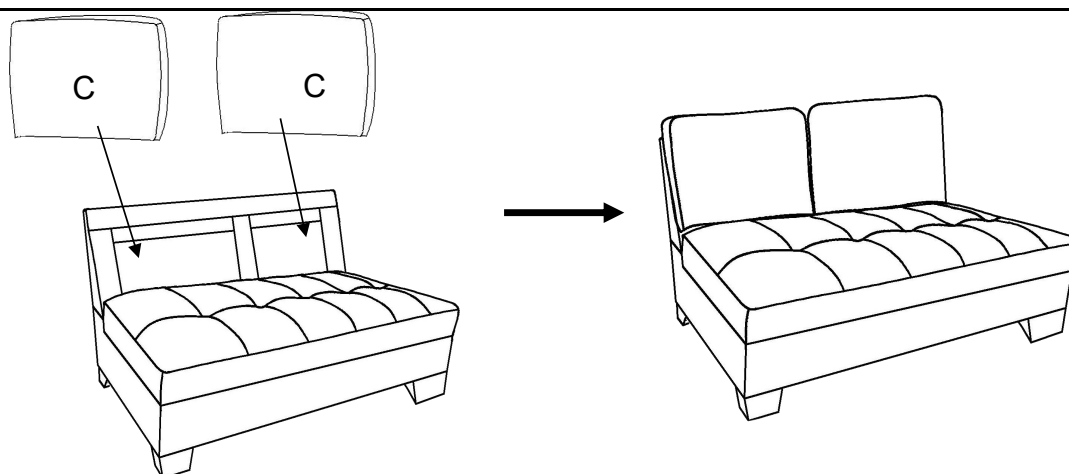
Carefully insert the Bolts(⑤) by placing a Spring Washer(③) and a Flat Washer(④) into the mounting positions on the hind-top(close to left side) of Seat Base(A), to be tighten by Allen Wrench(②) to fix the Backrest(B) and Seat Base(A) together.

Step6



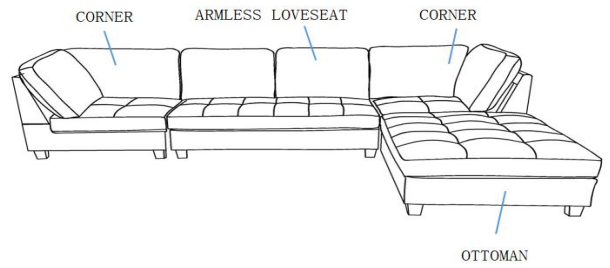
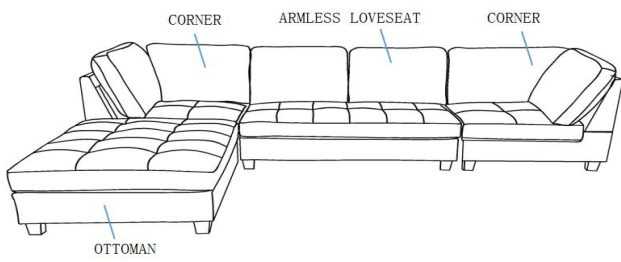
Carefully install the Wooden Legs with 1 Plastic Gasket(D) at the bottom of Seat Base(A).
Note: The use of Gaskets are OPTIONAL and are especially useful to help alleviate slight wobbleness. Some Legs may need more than one gasket while some legs may not need any.

Step7

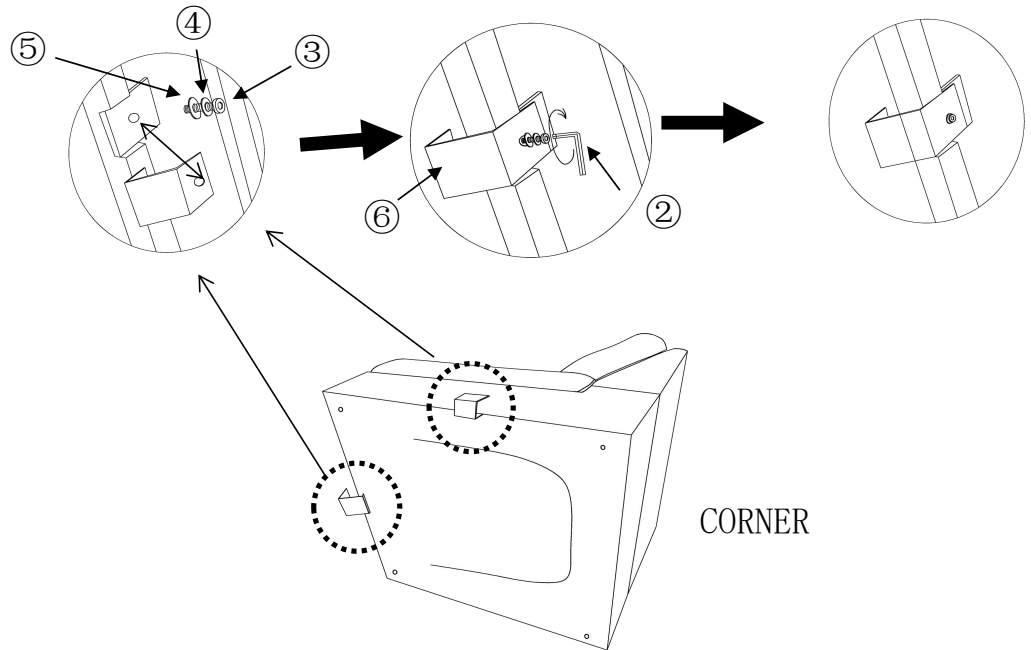


Put the Back Cushions(C) on the Seat Base(A) against the Backrest(B) as pictured.
Your Armless Loveseat is ready for use.
This Armless Loveseat can only be used on a flat, level surface.

Combination Reference

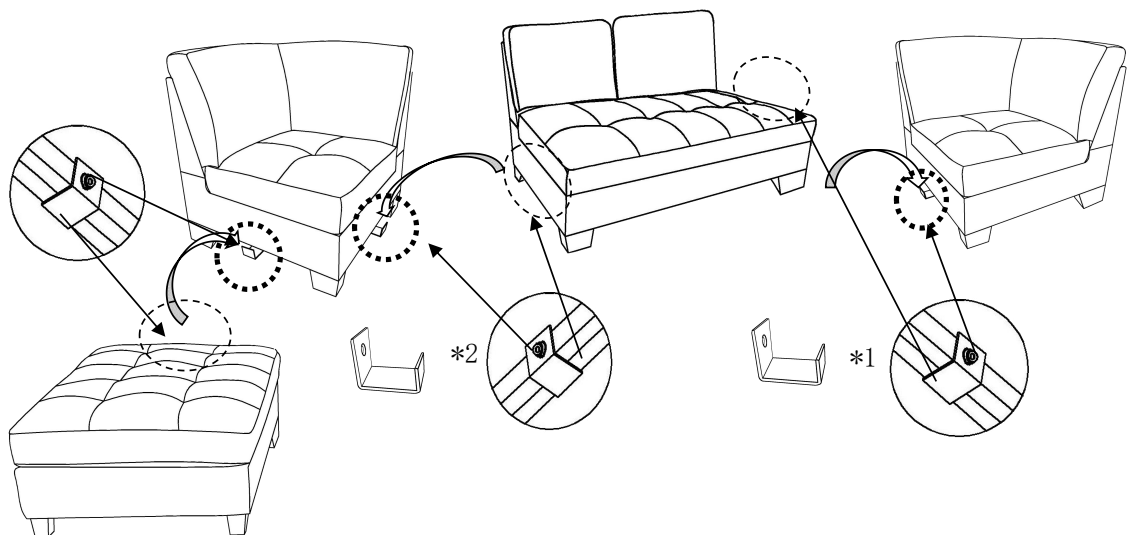


Step 1



Take 2 Bolts(③) by placing a Spring Washer(④) and a Flat Washer(⑤) each by Allen Wrench(②), then insert the hole of U Shape Metal Connector(⑥) and fix it on the both sides under inside the Seat Base(A) as pictured.

Step 2



Connect the Conner, Armless Loveseat, Corner and Ottoman together with U shape Metal Connector(⑥) one by one, above just one combination for reference, you can do the combination as you want.

Care & Maintenance



- Furniture may scratch floors. We recommend using furniture pads to protect your floors.



- Do not put hot items directly on furniture surface.



- Do not clean furniture with harsh cleansers or polish.



- Do not place furniture under direct sunlight.



- Do not place furniture near heating or cooling vents.



- Do not write on furniture without a padded barrier to protect the surface.



- Do not place furniture outside . For indoor use only.



- Not for commercial use. For residential use only.



- Stains may be removed with mild soap solution and damp cloth.



- Children should not climb or jump on the furniture.



- Dust and pick-up spills using a clean, non-colored, lint-free cloth.

of listed chemicals into sources of drinking water.

Proposition 65 requires California to publish a list of chemicals known to cause cancer, birth defects or other reproductive harm. This list, which must be updated at least once a year, has grown to include approximately 900 chemicals since it was first published in 1987.

• What types of chemicals are on the Proposition 65 list?

The list contains a wide range of naturally occurring and synthetic chemicals that include additives or ingredients in pesticides, common household products, food, drugs, dyes, or solvents. Listed chemicals may also be used in manufacturing and construction, or they may be byproducts of chemical processes, such as motor vehicle exhaust.

• What does a warning mean?

If a warning is placed on a product label or posted or distributed at a workplace, a business, or in rental housing, the business issuing the warning is aware or believes that it is exposing individuals to one or more listed chemicals.

By law, a warning must be given for listed chemicals unless the exposure is low enough to pose no significant risk of cancer or is significantly below levels observed to cause birth defects or other reproductive harm.

• Where can I get more information on Proposition 65?

If you have specific questions on the administration or implementation of Proposition 65, you can contact OEHHA's Proposition 65 program at P65.Questions@oehha.ca.gov, or by phone at (916) 445-6900.