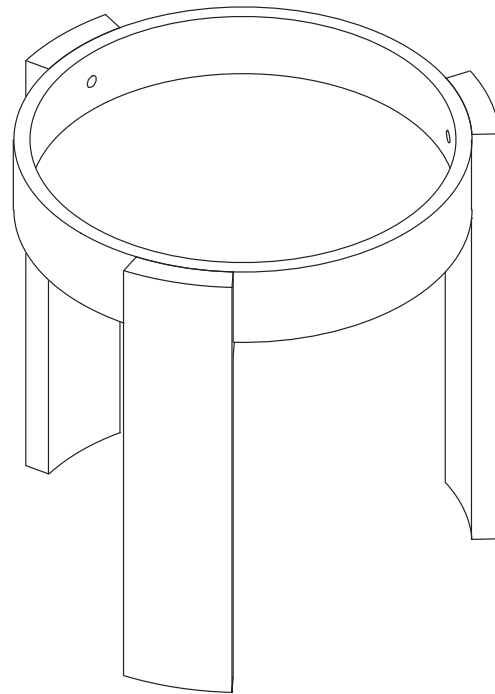
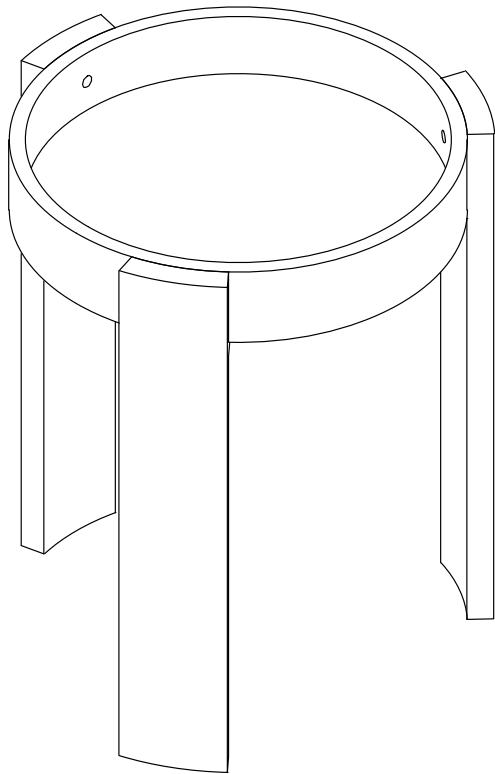


# Nesting Side Tables



ASSEMBLY INSTRUCTIONS



40 min. assembly

1 person

\*The estimated assembly time may vary depending on the individual.

# Hey, there

Now is assembly time!

Deeeeep breathe.... and again....  
Tools ready,  
Easy peasy!

## Estimated



40 min. assembly  
1 person

## Tools Required

- Allen Wrench (included)

**important:** *Cautious when you use power tools*

Thank you for purchasing this product. This product has been manufactured with the highest standards of safety and quality.

### **PLEASE READ ALL INSTRUCTIONS CAREFULLY BEFORE ASSEMBLY.**

Unpack all parts from the packaging inside the carton to ensure there are no missing or damaged parts. Lay out all the parts on a clean, flat, and soft surface to prevent scratches. Refer to the steps provided as assembling guide.

Do not attempt to assemble or use the product if any parts are missing or damaged.

---

## REMINDERS

### SAFE USAGE IS KEY

Your well-being is our top priority when you use our product. Please prioritize your safety by diligently following the assembly guidelines and inspecting the product carefully both when it arrives and before each use.

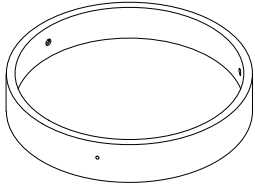
Please be aware that cannot be held liable for any injuries or fatalities that occur due to not adhering to the provided instructions or misuse of the product.

### DO NOT MODIFY

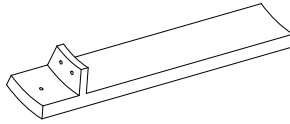
Our products undergo rigorous testing to ensure they meet established safety standards before being released for sale. Altering the product in any way can lead to serious safety concerns, for which LuxenHome cannot assume responsibility.

# What's in the box

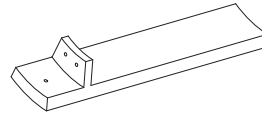
## Parts



**1** X 2  
Table top

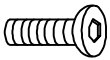


**2** X 3  
Long Legs



**3** X 3  
Short Legs

## Hardware & Accessory



**A** X 18+2  
M6 x 22mm



**B** X 18+2  
Ø13xØ6 x 1mm



**C** X 1  
M4

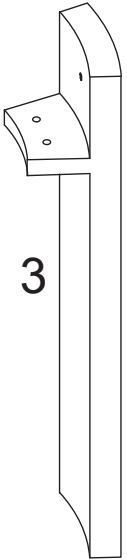
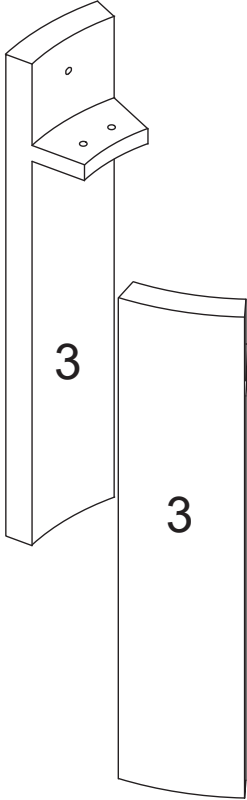
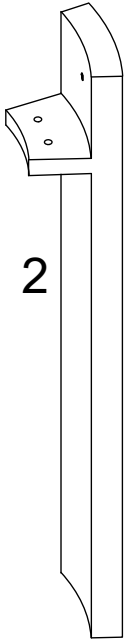
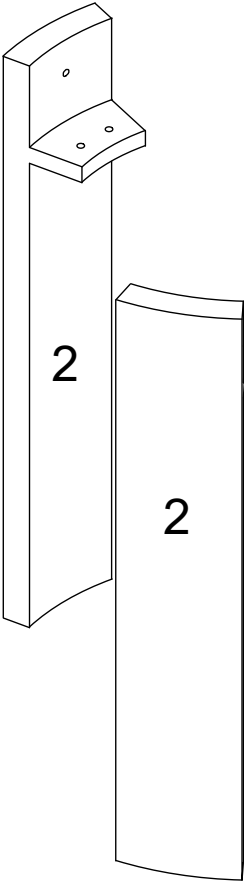
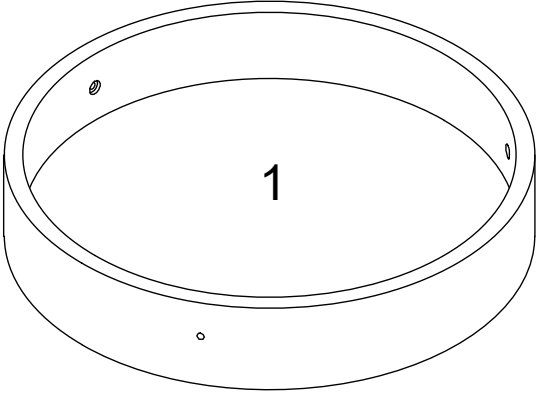
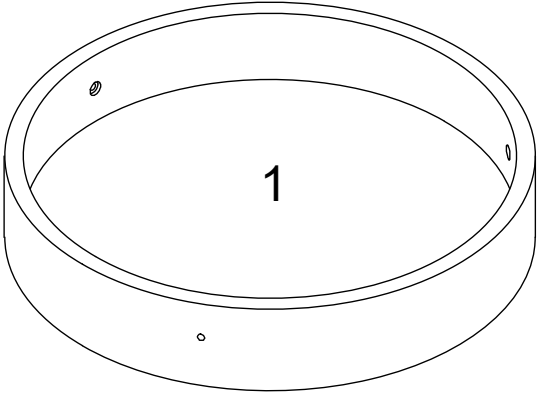


**D** X 12+2  
Felt Foot Pad



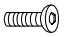



**E** X 6  
Cover Sticker

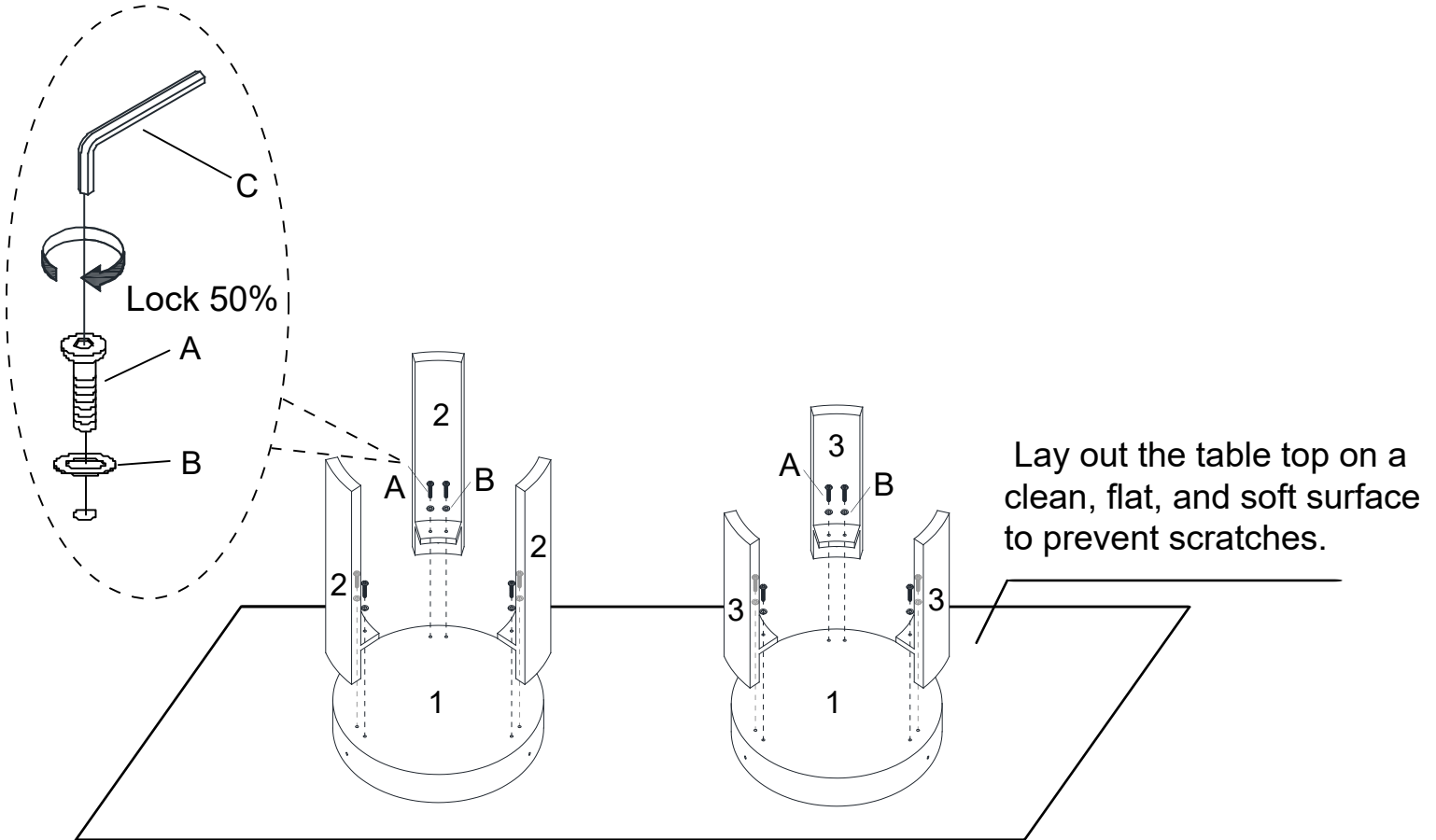
# Assembly



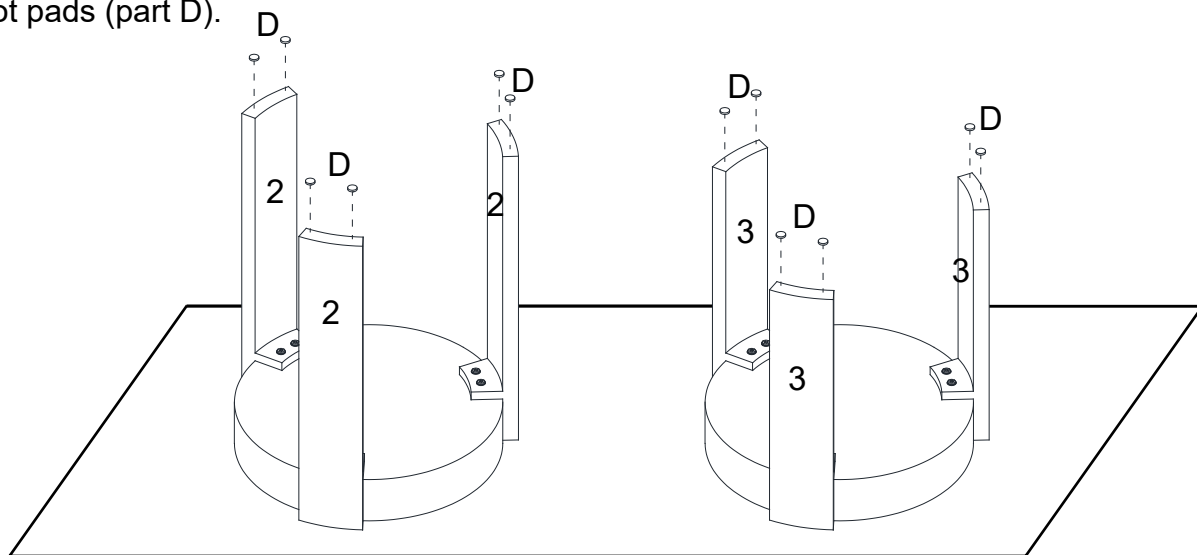
# Step 1

Use a wrench (part C) to connect (part 1) to (part 2), (part 3) with the Bolts (part A) and the Flat washer (part B).

(A) X12	(B) X12	(C) X1	(D) X12
			
M6 x 22mm	Ø13xØ6 x 1mm	M4	Felt Foot Pad




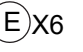


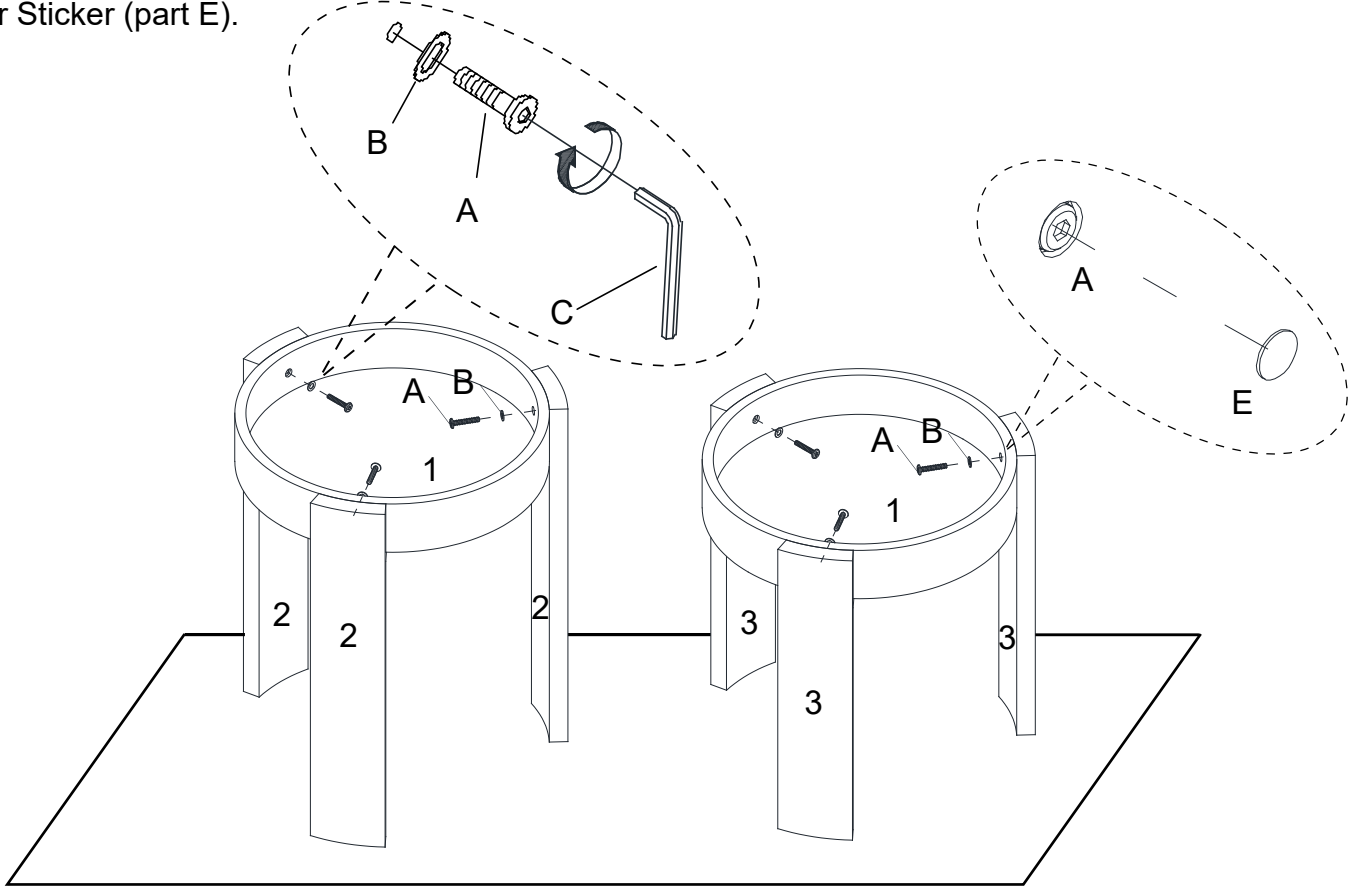
Stick foot pads (part D).



# Step 2

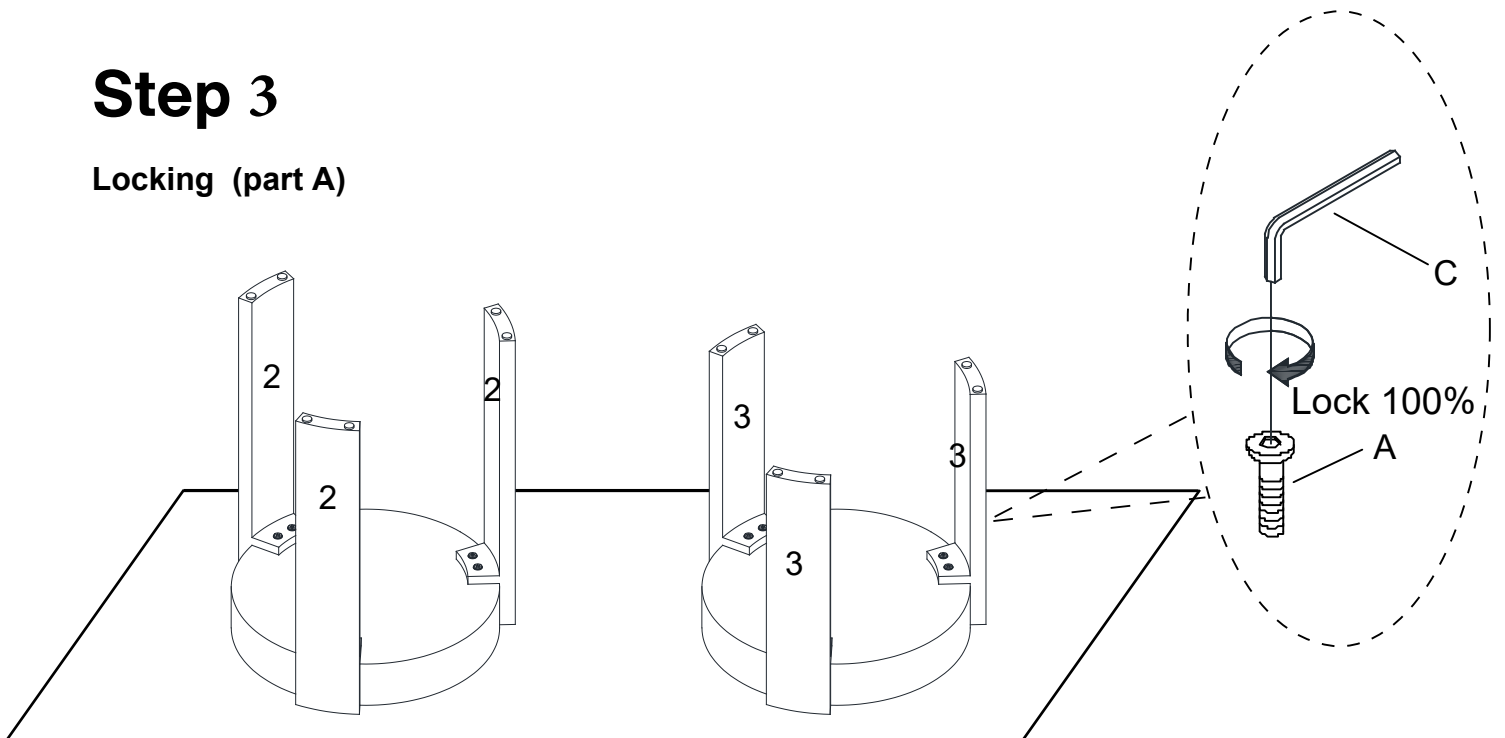
Use a wrench (part C) to connect (part 1) to (part 2). (part 3) with the Bolts (part A) and the Flat washer (part B). Cover Sticker (part E).

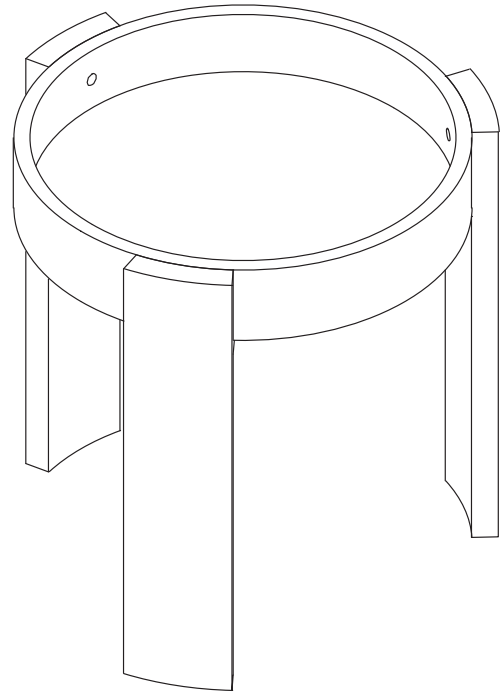
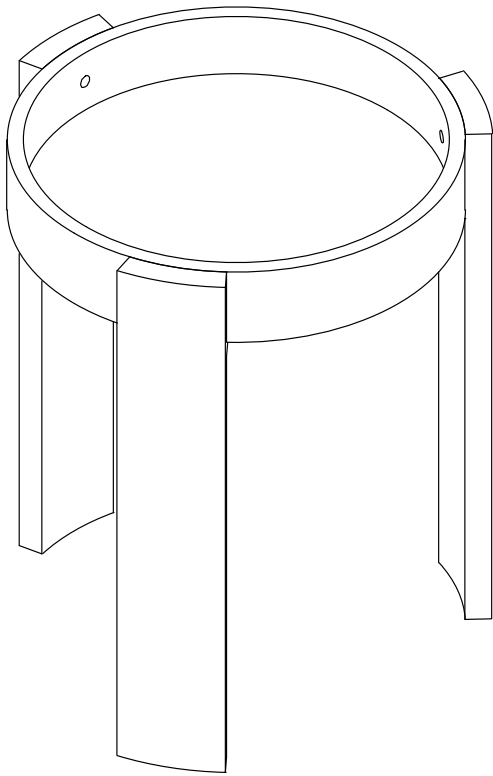
 (A) X6	 (B) X6	 (C) X1	 (E) X6
M6 x 22mm	Ø13xØ6 x 1mm	M4	Cover Sticker



# Step 3

Locking (part A)





## **Warning**

DO NOT stand or sit on the table as this may damage the product and cause serious bodily injury.