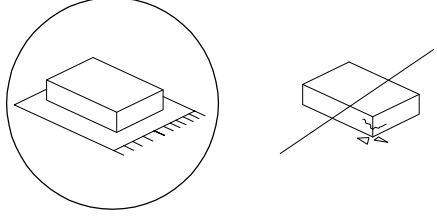

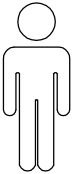
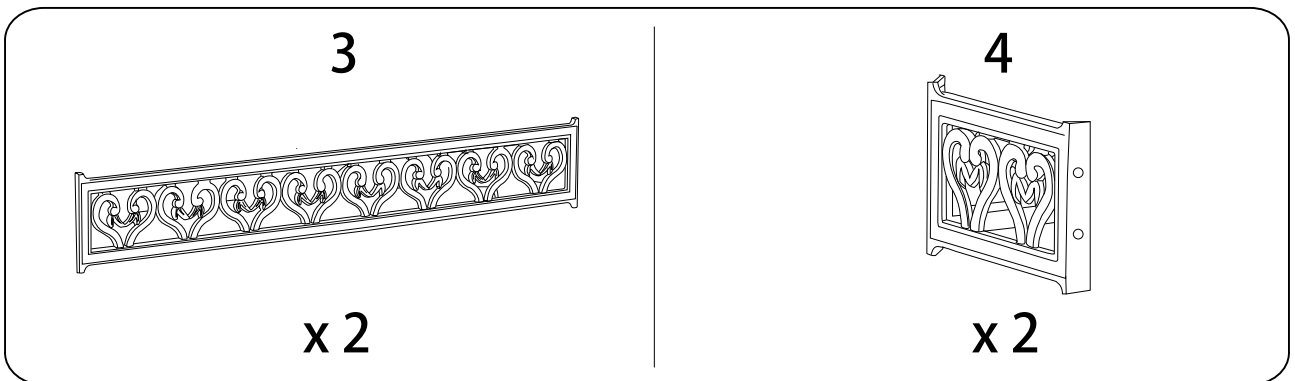
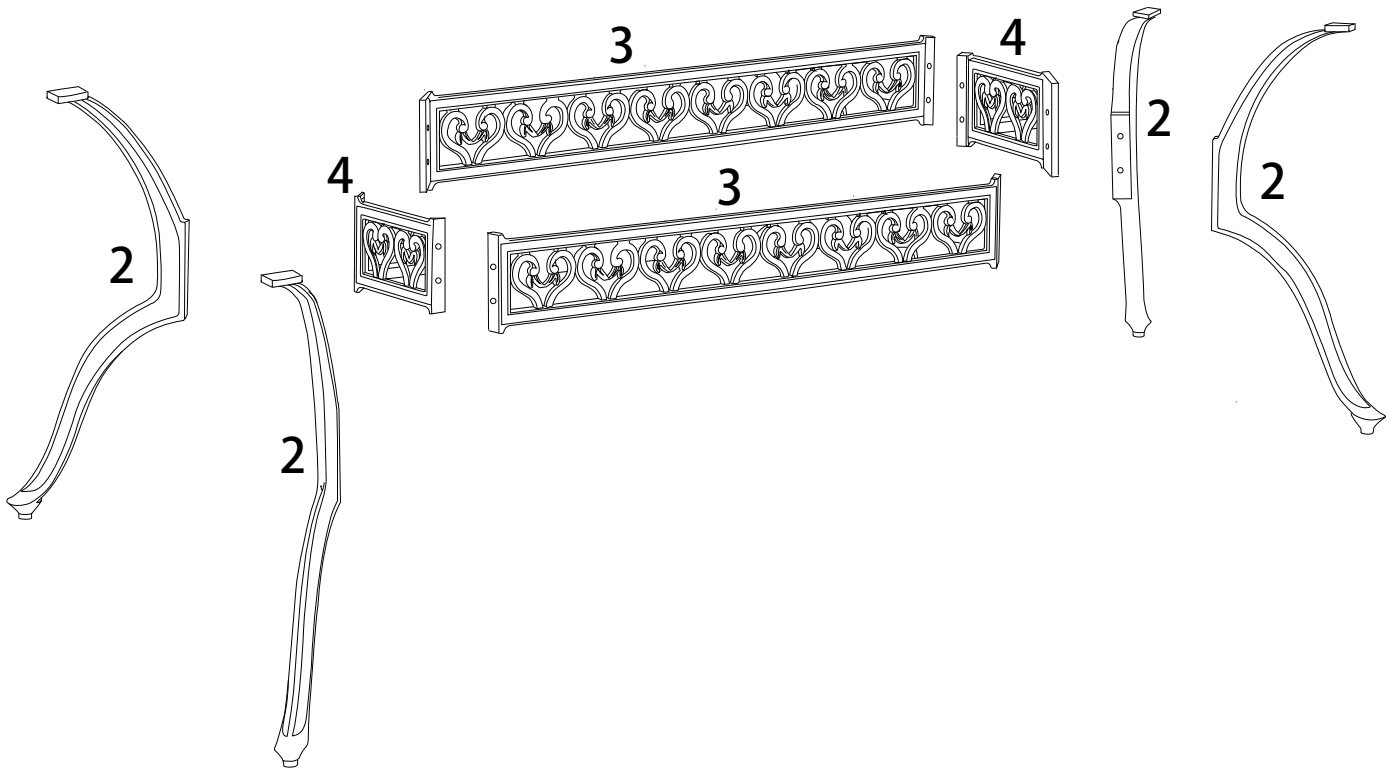
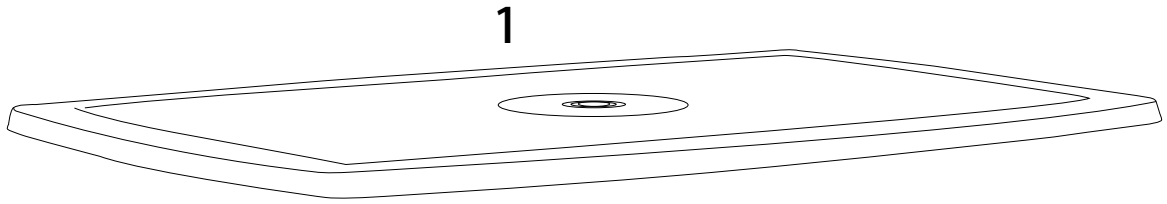
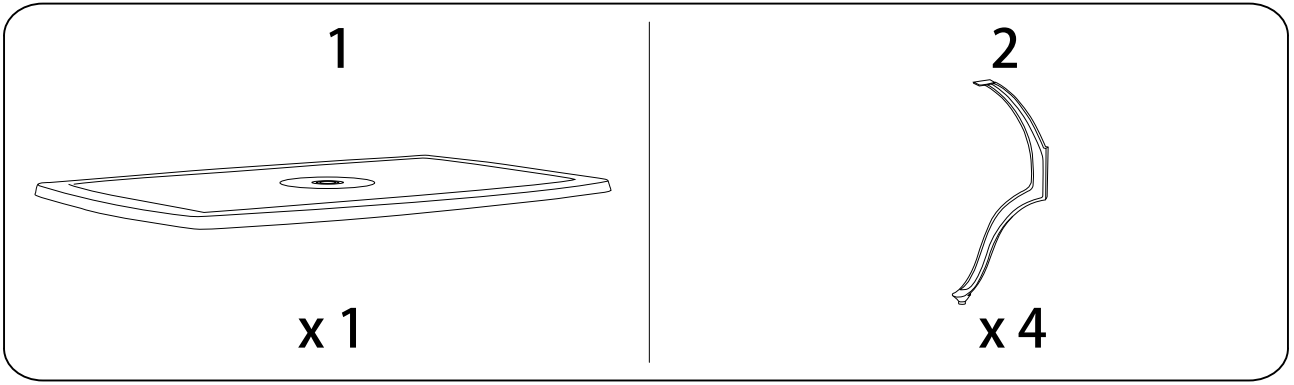
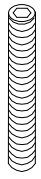

		<b>30'</b>
		
		<b>2</b>



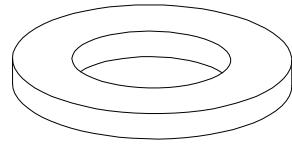
**A**



M8  
x  
35

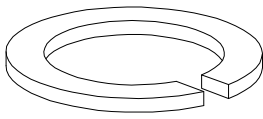
x 12

**B**



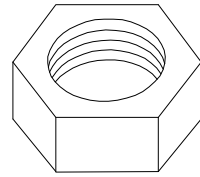
x 12

**C**



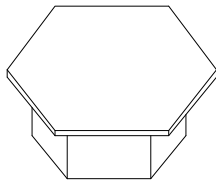
x 12

**D**



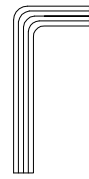
x 12

**E**



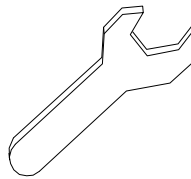
x 12

**F**



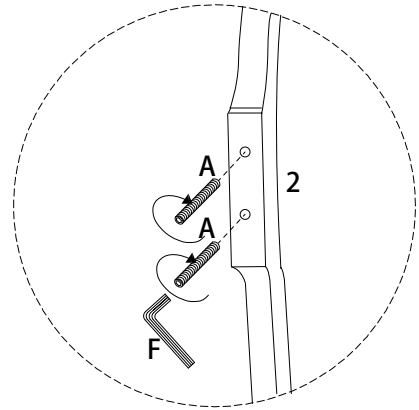
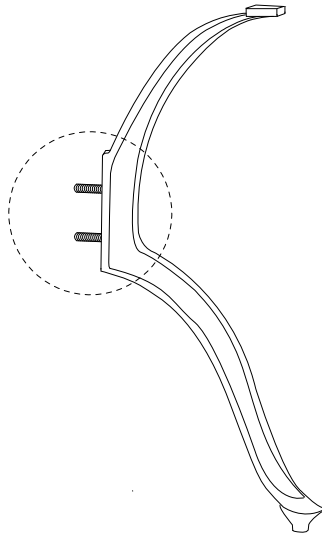
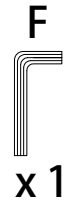
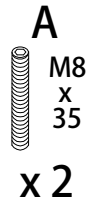
x 1

**G**

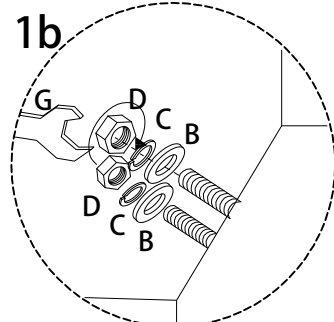
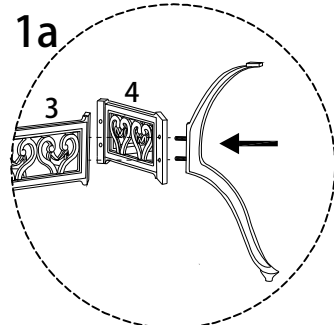
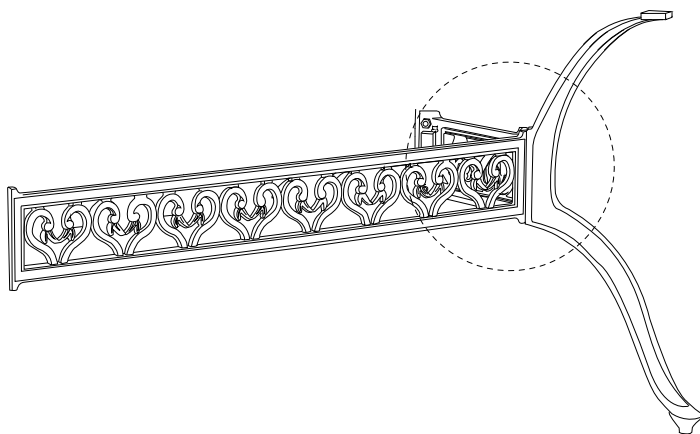
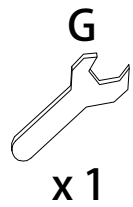
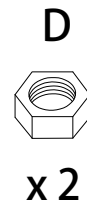
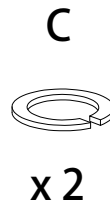
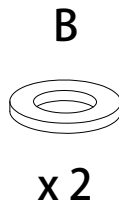
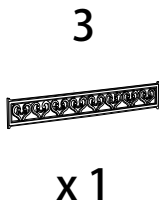


x 1

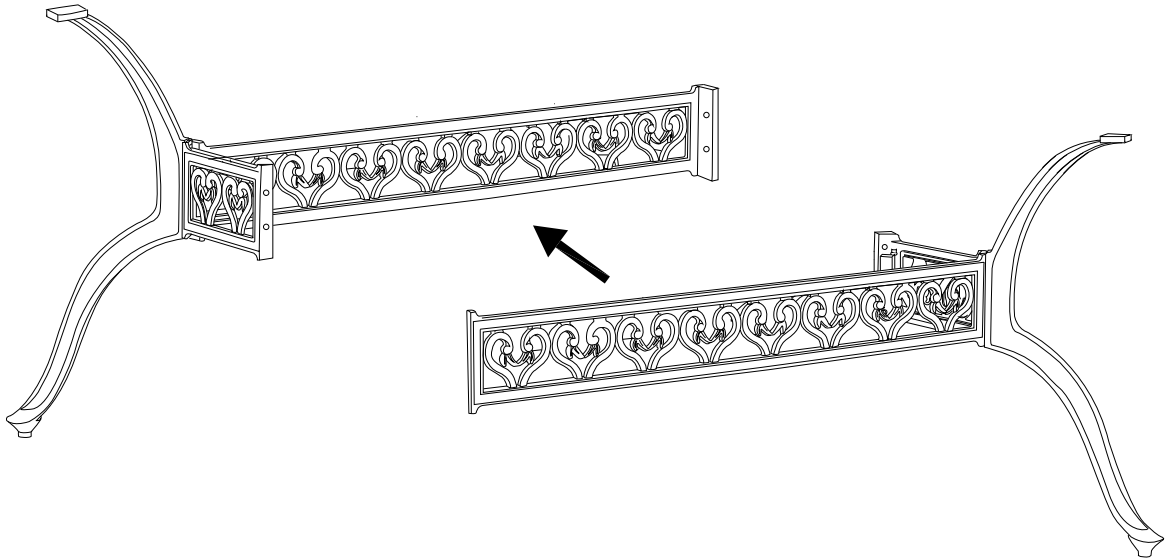
1 x4



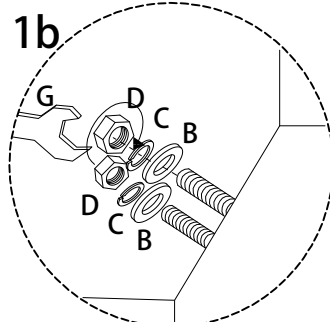
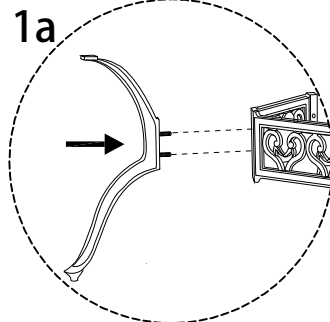
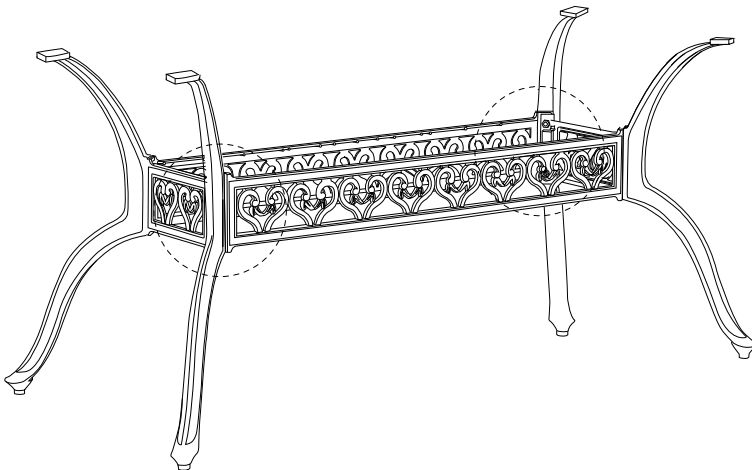
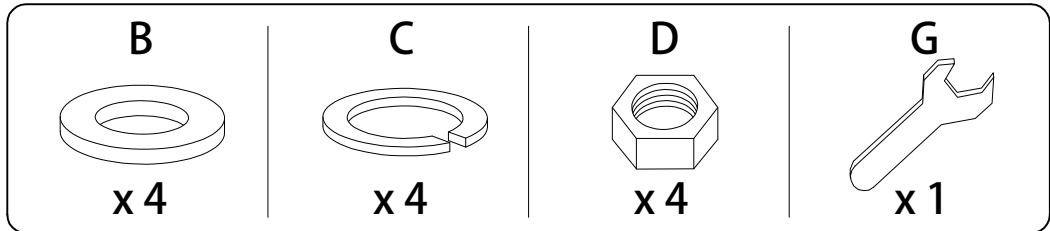
2 x2



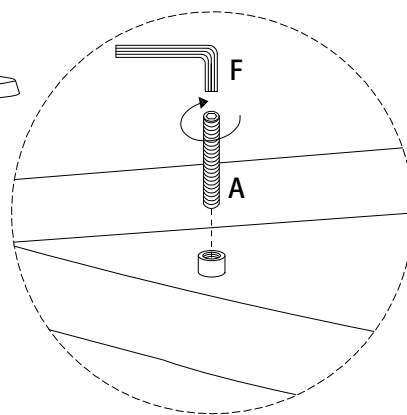
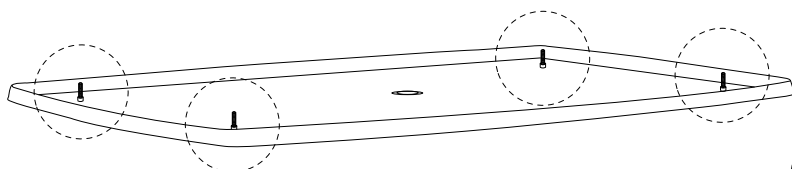
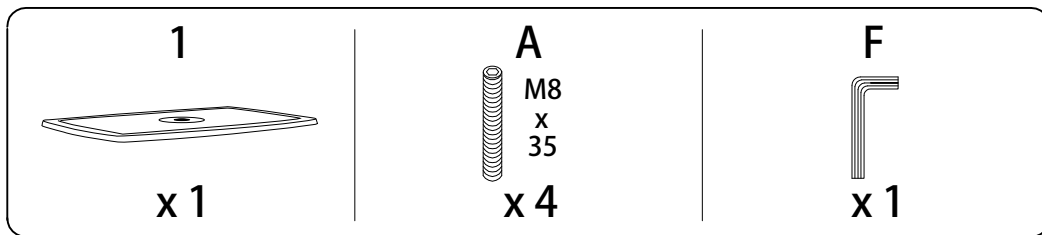
3



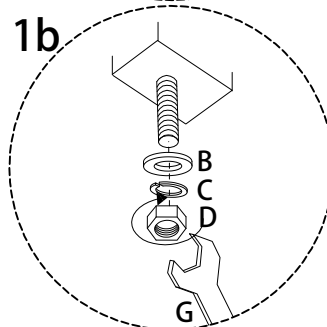
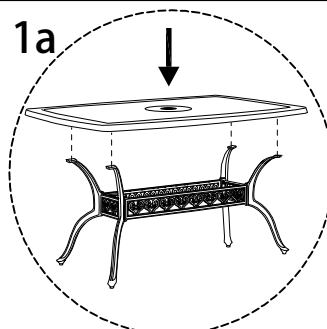
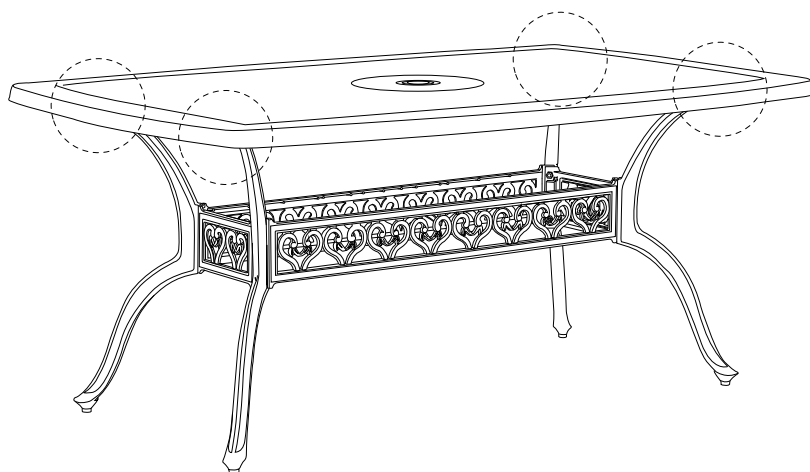
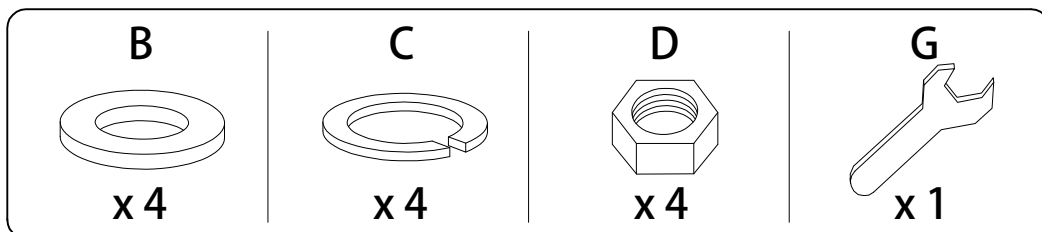
4



5

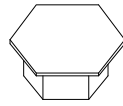


6



7

E



x 12

