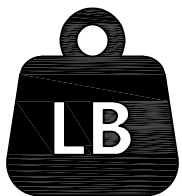


## NOTE:

This brochure contains IMPORTANT safety info. Please read and keep for future reference.

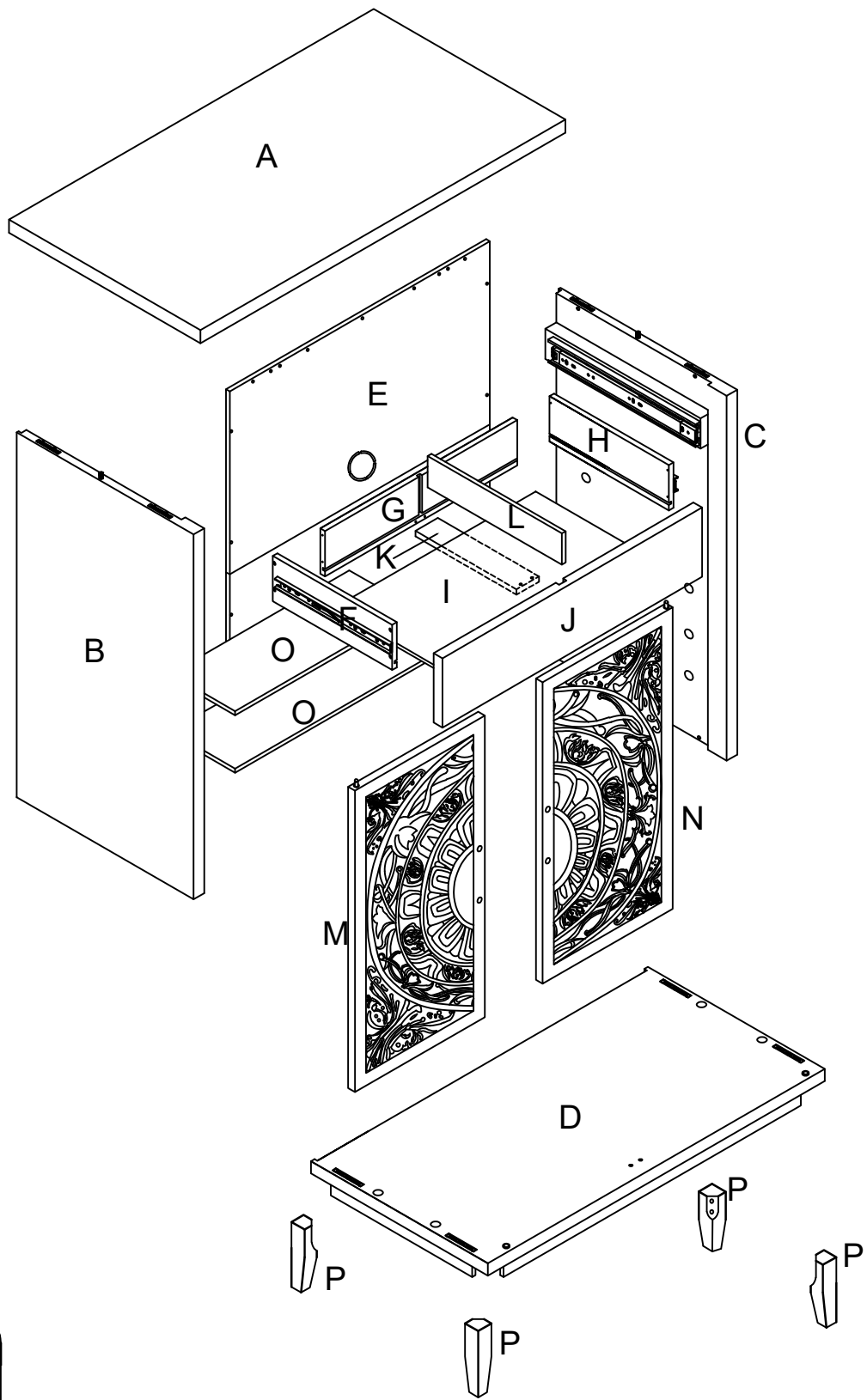
# MAINTAINANCE AND WARNING

- 1.Keep furniture away from heat sources.
- 2.Do not clean furniture with harsh cleaner or polishes.Do not use detergents,solvents,abrasives,spray packs or leather cleaner. Use non-color mild soap with warm water to clean spills(Mix 1:10 soap to water).
- 3.Do not place furniture under direct sunlight,material will possibly fade over time.
- 4.Do not use on site dry cleaning machine.Children should not climb or jump on the furniture.
- 5.Do not write on furniture that is not protected by a padded barrier.
- 6.Not for commercial use,only for residential use.

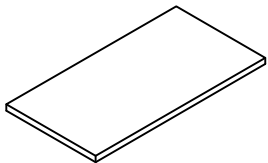
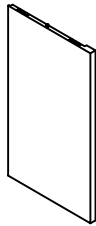
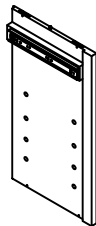
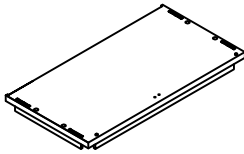
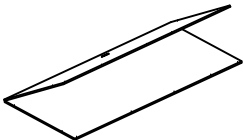
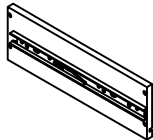
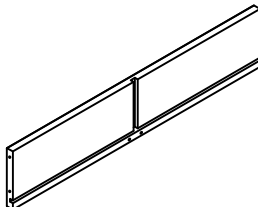
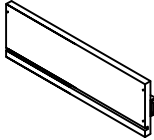
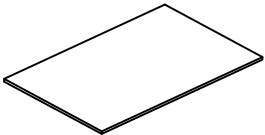
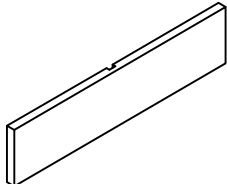
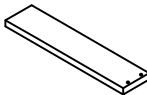



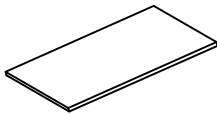
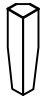


Weight Limitation






**110 LBS**





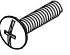




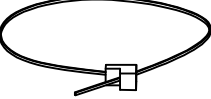
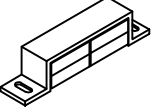
# PARTS LIST

A	x1	B	x1	C	x1	D	x1
							
E	x1	F	x1	G	x1	H	x1
							
I	x1	J	x1	K	x1	L	x1
							
M	x1	N	x1	O	x2	P	x4
							

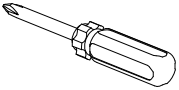
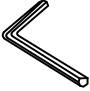
# HARDWARE LIST

1#	x8	2#	x8	3#	x8	4#	x20	5#	x4
									
1/4"*50mm		1/4"		1/4"		φ3*15mm		φ3*20mm	

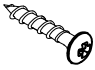




6#	x4	7#	x12	8#	x8	9#	x2	10#	x4
									
		φ4*25mm		φ4*25mm				5/32"*22mm	

11#	x4	12#	x4	13#	x2	14#	x1
							
φ5/32"*18mm		φ4"*38mm					

# TOOL LIST

15#	x1	16#	x1
			
		1/4"	

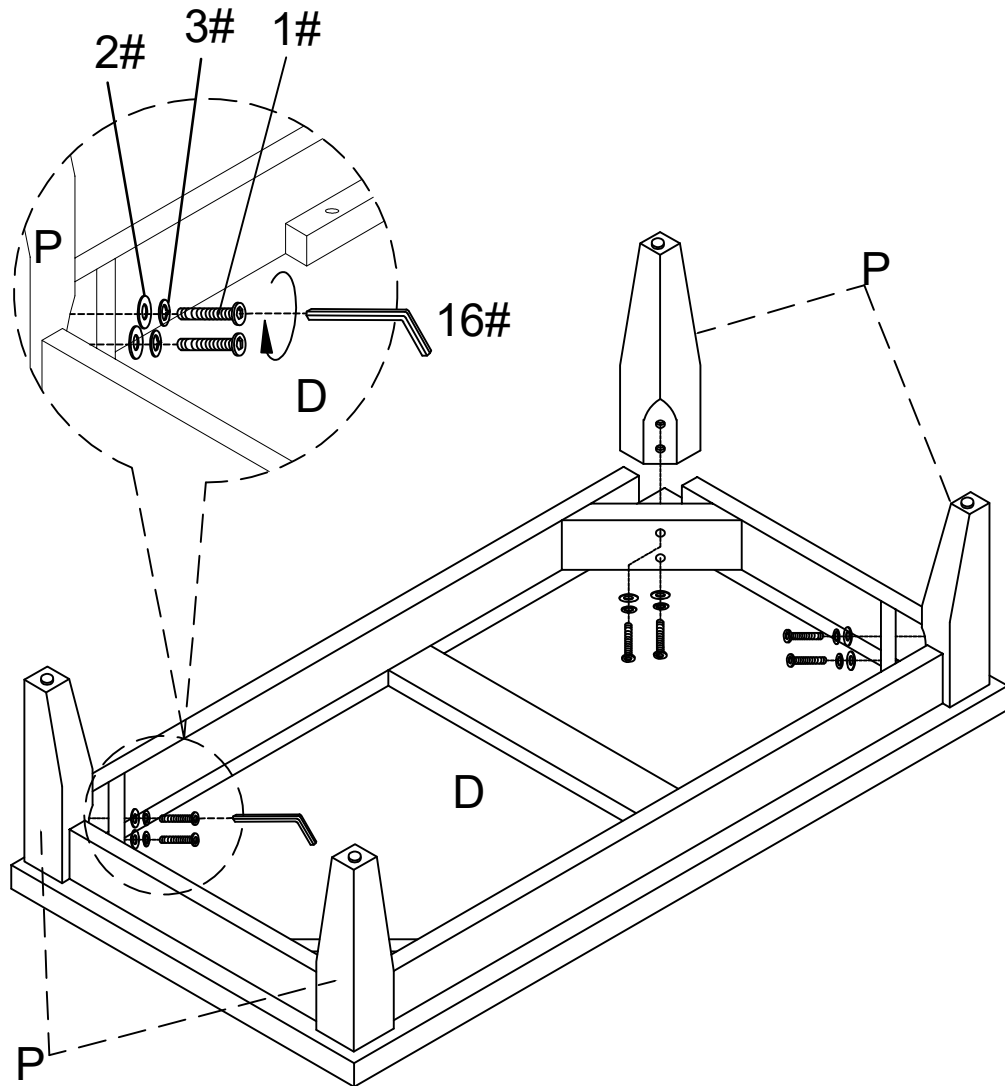
# HARDWARE SPARE LIST




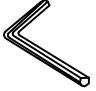
4#	x2	7#	x1	1#	x1	2#	x1	3#	x1
									
φ3*15mm		φ4*25mm		1/4"*28mm		1/4"		1/4"	

# ASSEMBLY INSTRUCTIONS

## STEP-1

1. Connect part(P) to bottom panel(D) with bolt #1 and flat washer#2 and spring washer #3, tight bolt with allen wrench #16.

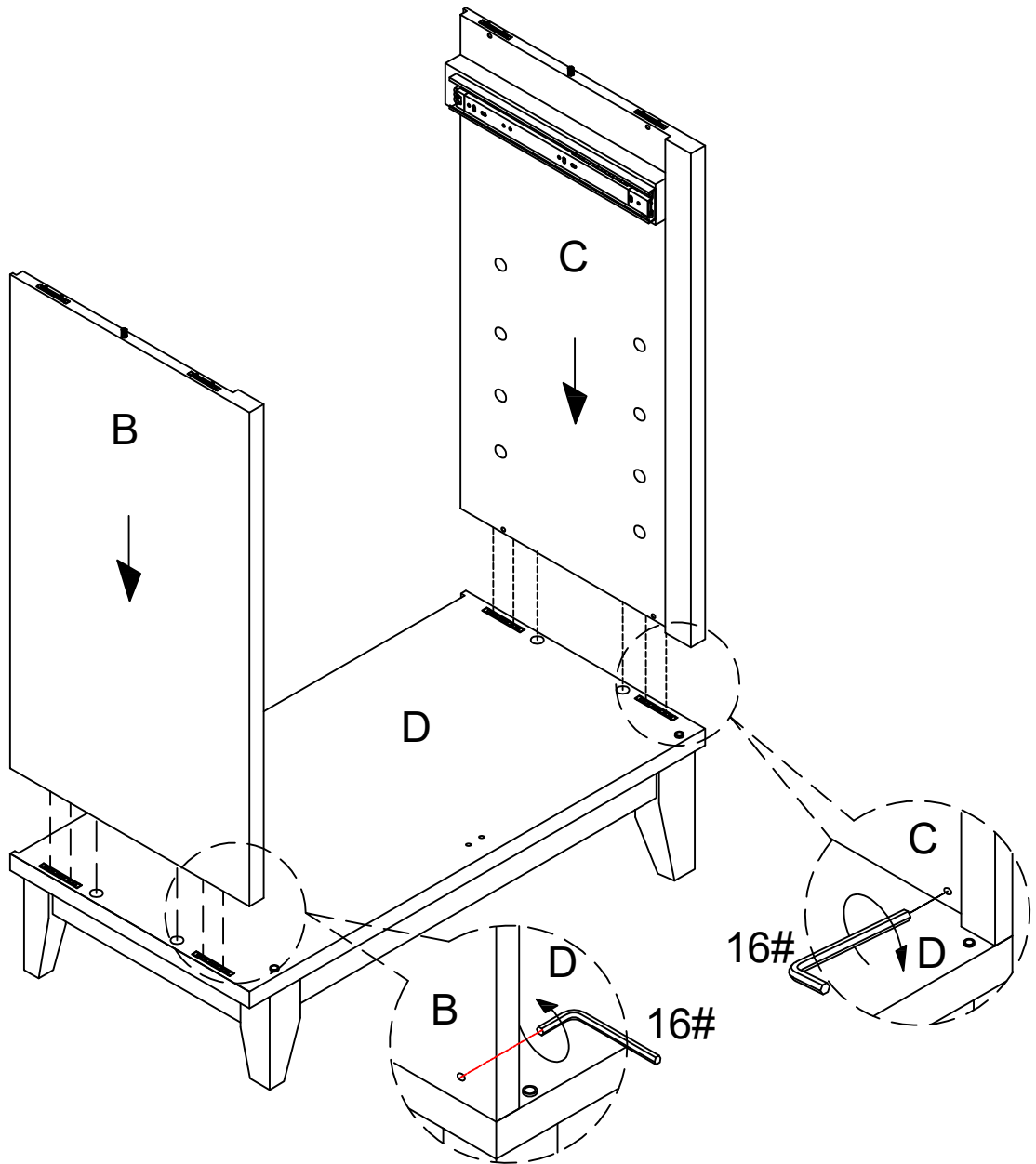


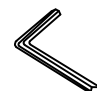
1#	x8	2#	x8	3#	x8	16#	x1
							
φ1/4*50mm		1/4"		1/4"		1/4"	

# ASSEMBLY INSTRUCTIONS

## STEP-2

1. Insert part(B/C) into part(D) , make sure all holes aligned and tight it with allen wrench #16.

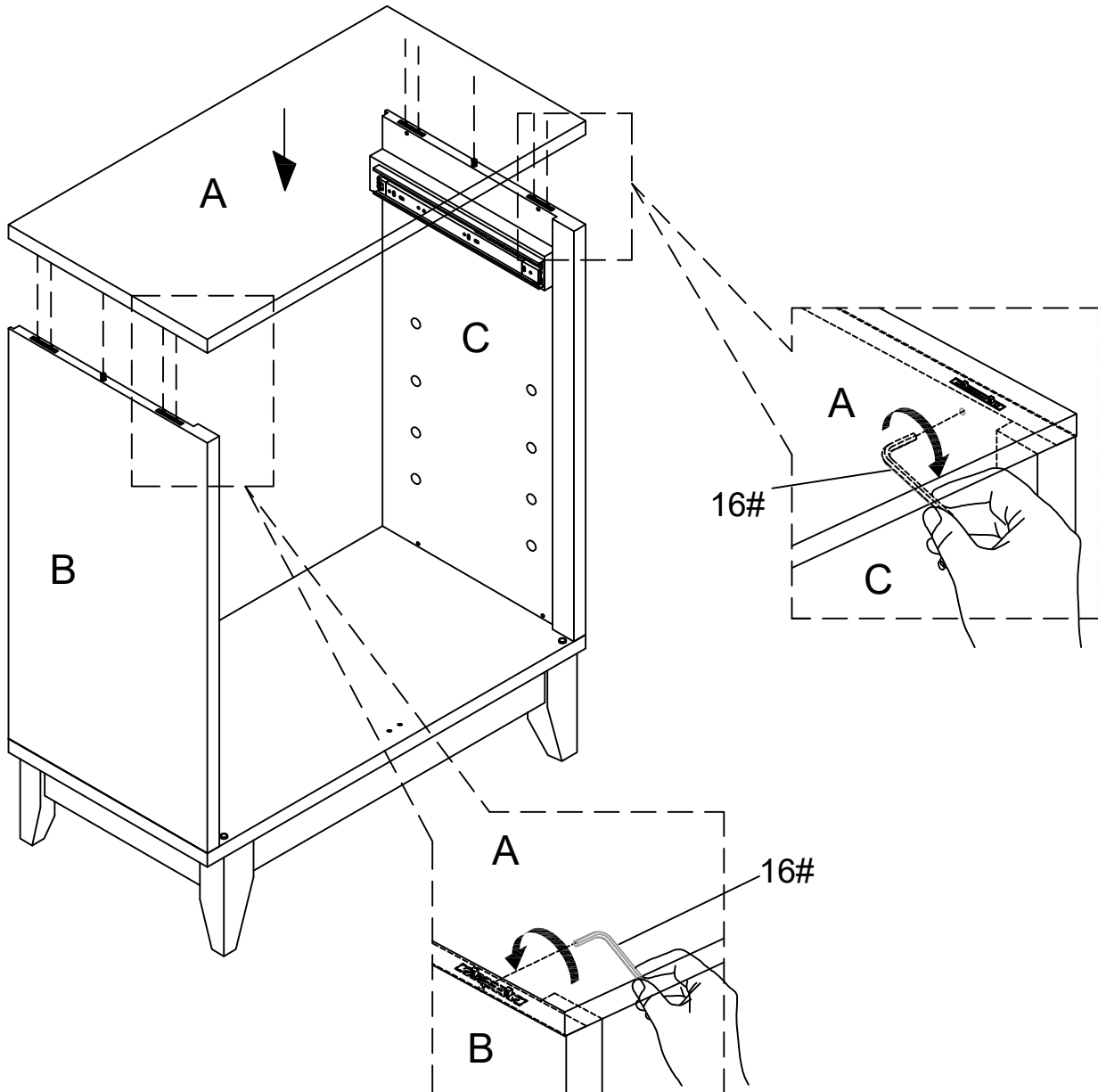



16#	x1
	
1/4"	

# ASSEMBLY INSTRUCTIONS

## STEP-3

1. Insert part(B/C) into part(A) , make sure all holes aligned and tight it with allen wrench #16.

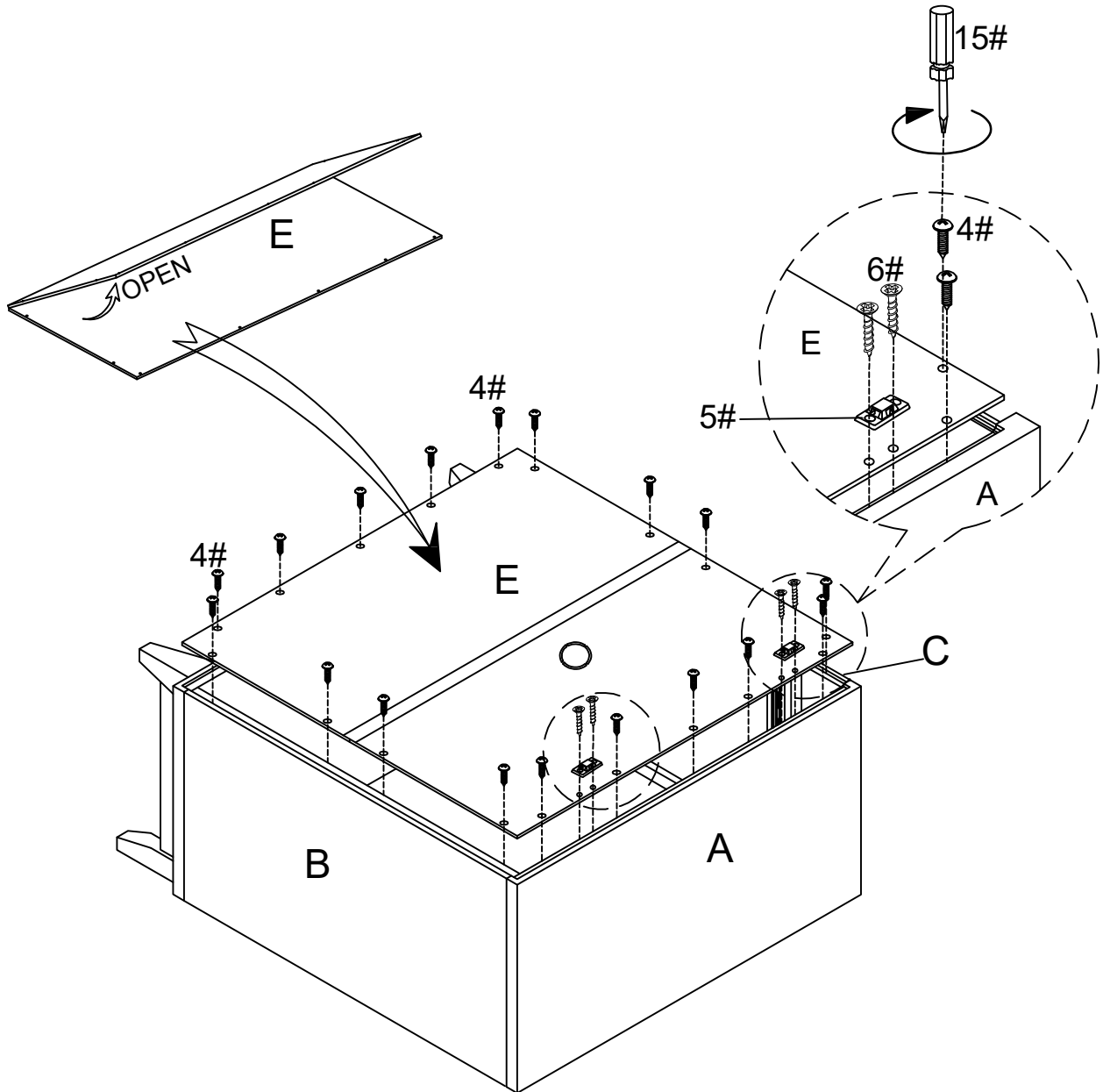


16#	x1
	
1/4"	

# ASSEMBLY INSTRUCTIONS

## STEP-4

1. open back panel(E), connect it to the unit pre-assembled at step 3 with part #4, tight it with screwdriver #15.
2. connect part #5 to the unit pre-assembled at step 3 with part#6, tight it with screwdriver #15.

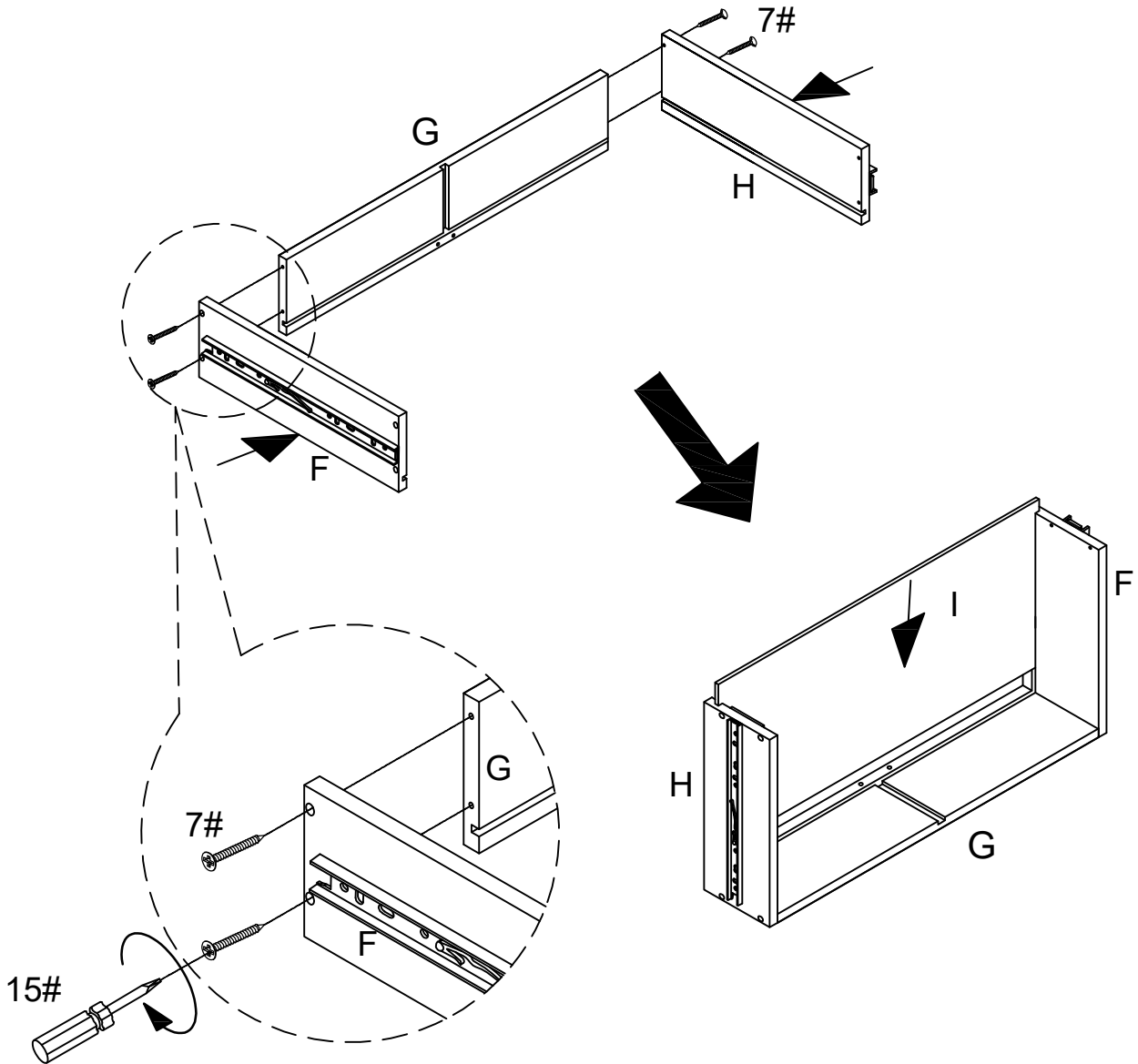



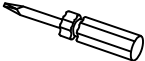
4#	x18	5#	x2	6#	x4	15#	x1
φ3*15mm				φ4*20mm			

# ASSEMBLY INSTRUCTIONS

## STEP-5

1. connect part (H/F) to part (G) with part #7, tight it with screwdriver #15.
2. slide part(I) to part (H/F) , make sure it also in the groove of part (G).

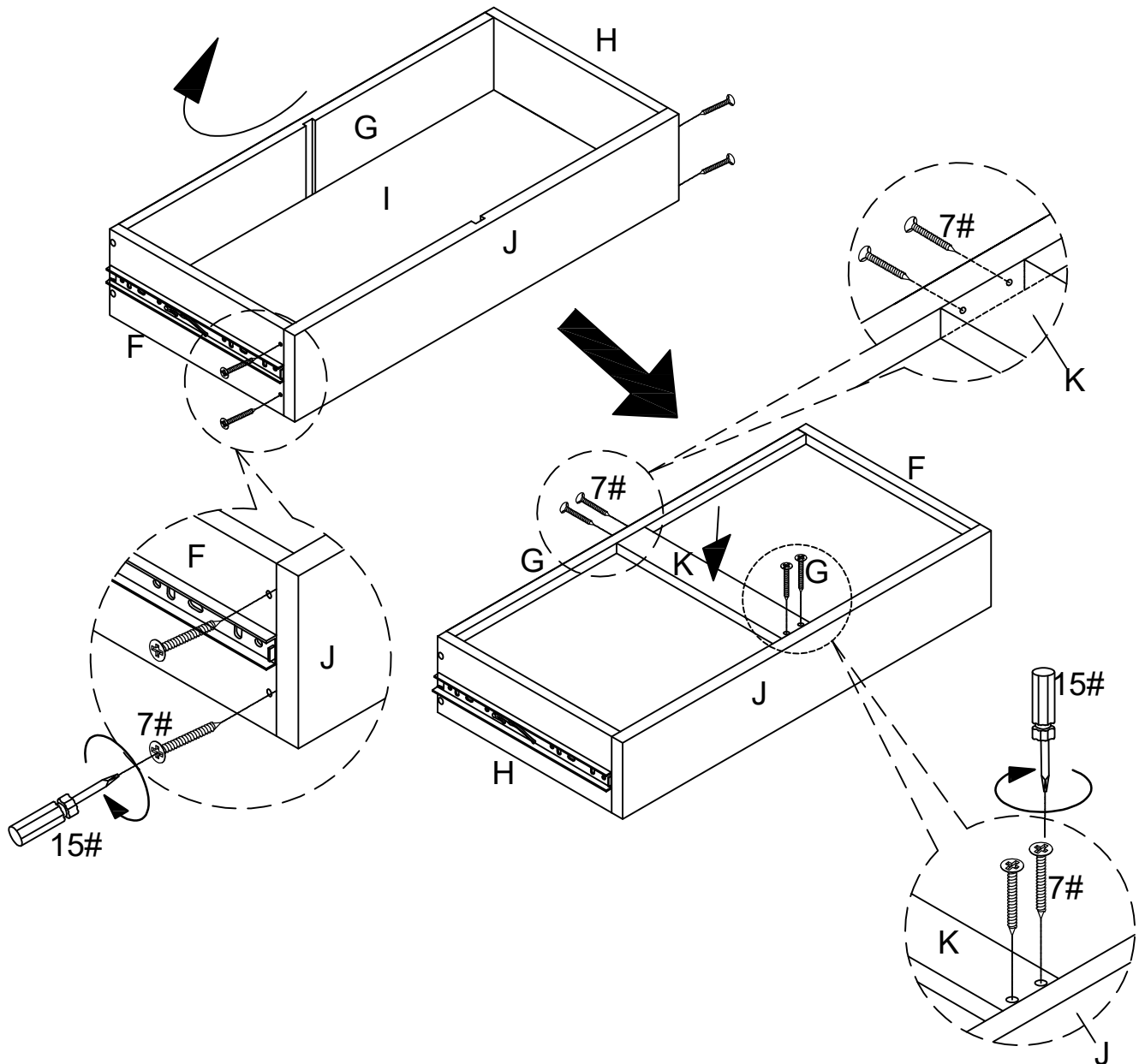


7#	x4	15#	x1
			
φ4*25mm			

# ASSEMBLY INSTRUCTIONS

## STEP-6

1. connect part (H/F) to part (J) with part #7, tight it with screwdriver #15.
2. connect part(K) to the drawer with part #7, tight it with screwdriver #15.

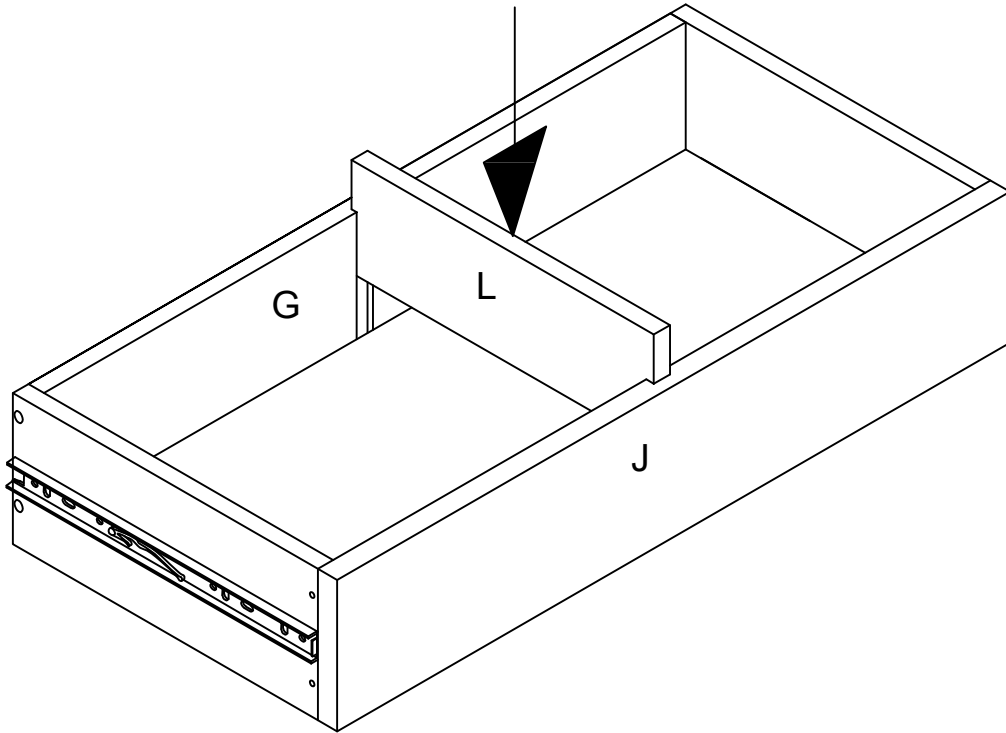


7#	x8	15#	x1
φ4*25mm			

# ASSEMBLY INSTRUCTIONS

## STEP-7

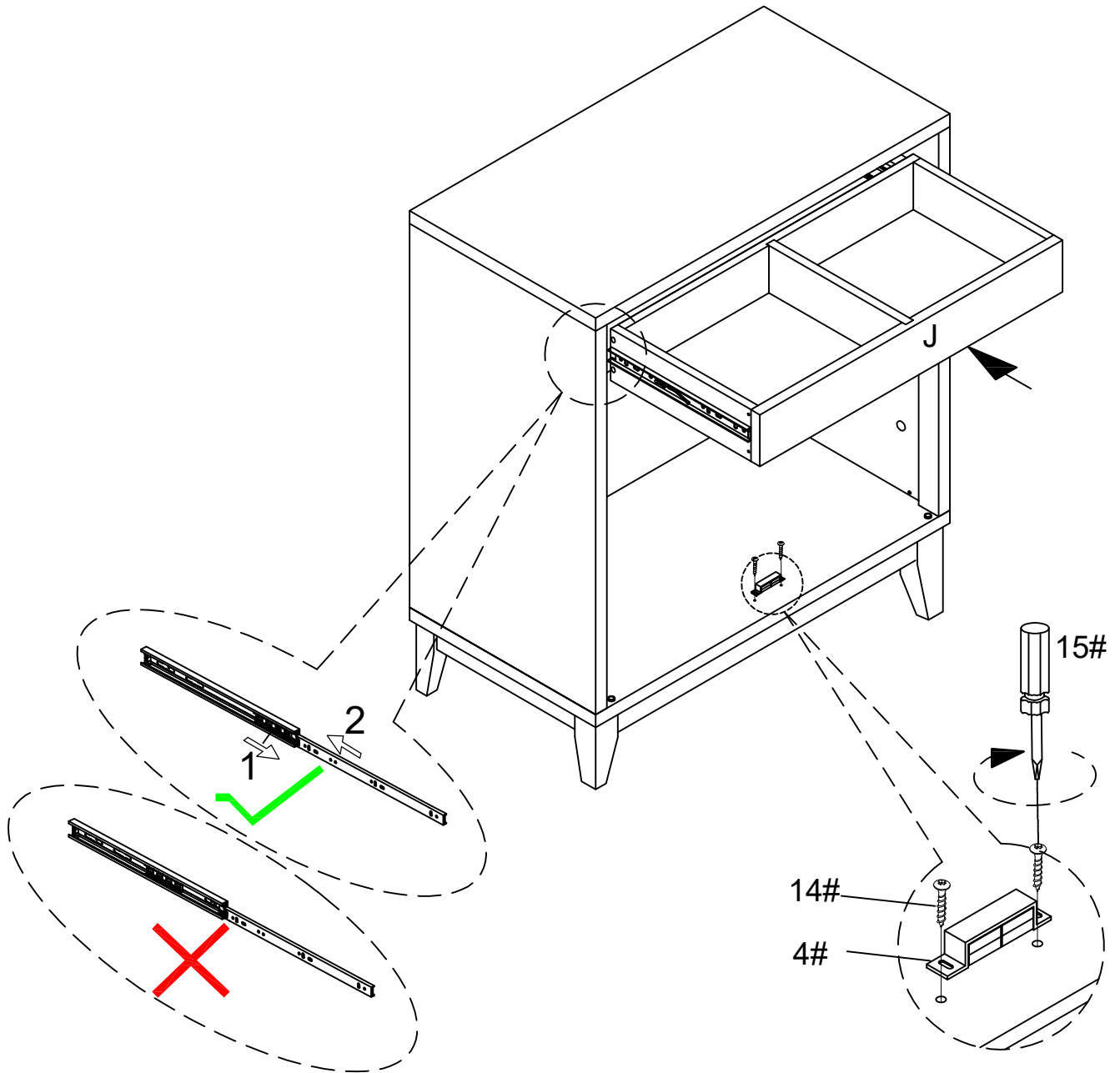
1. connect part (L) to the drawer with hand.



# ASSEMBLY INSTRUCTIONS

## STEP-8

1. attach the drawer to the unit pre-assembled at step 4.
2. connect part #14 to the unit pre-assembled at step 4 with screw #4. tight screw with screwdriver #15.

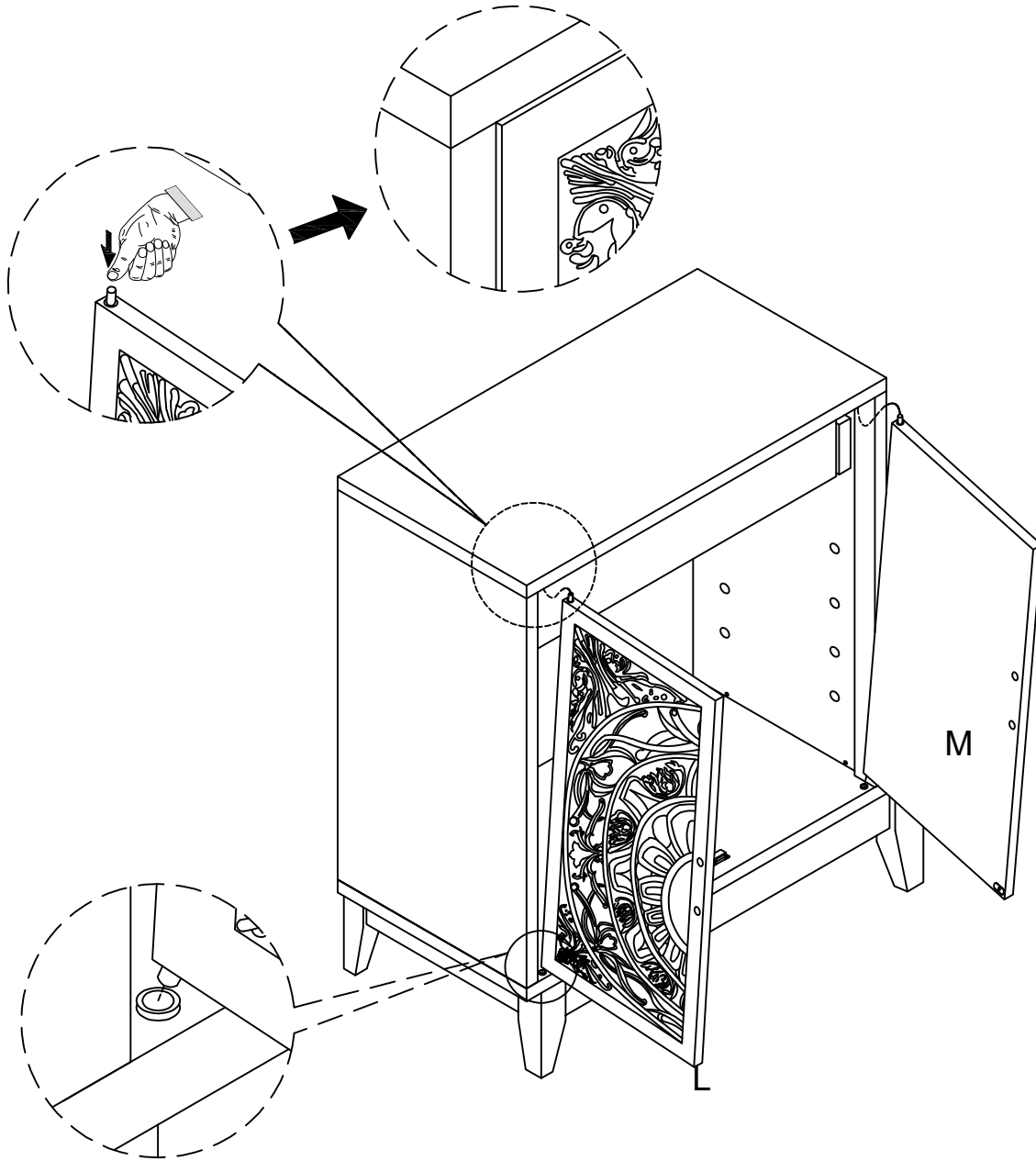


14#	x1	4#	x2	15#	x1
		φ3*15mm			

# ASSEMBLY INSTRUCTIONS

## STEP-9

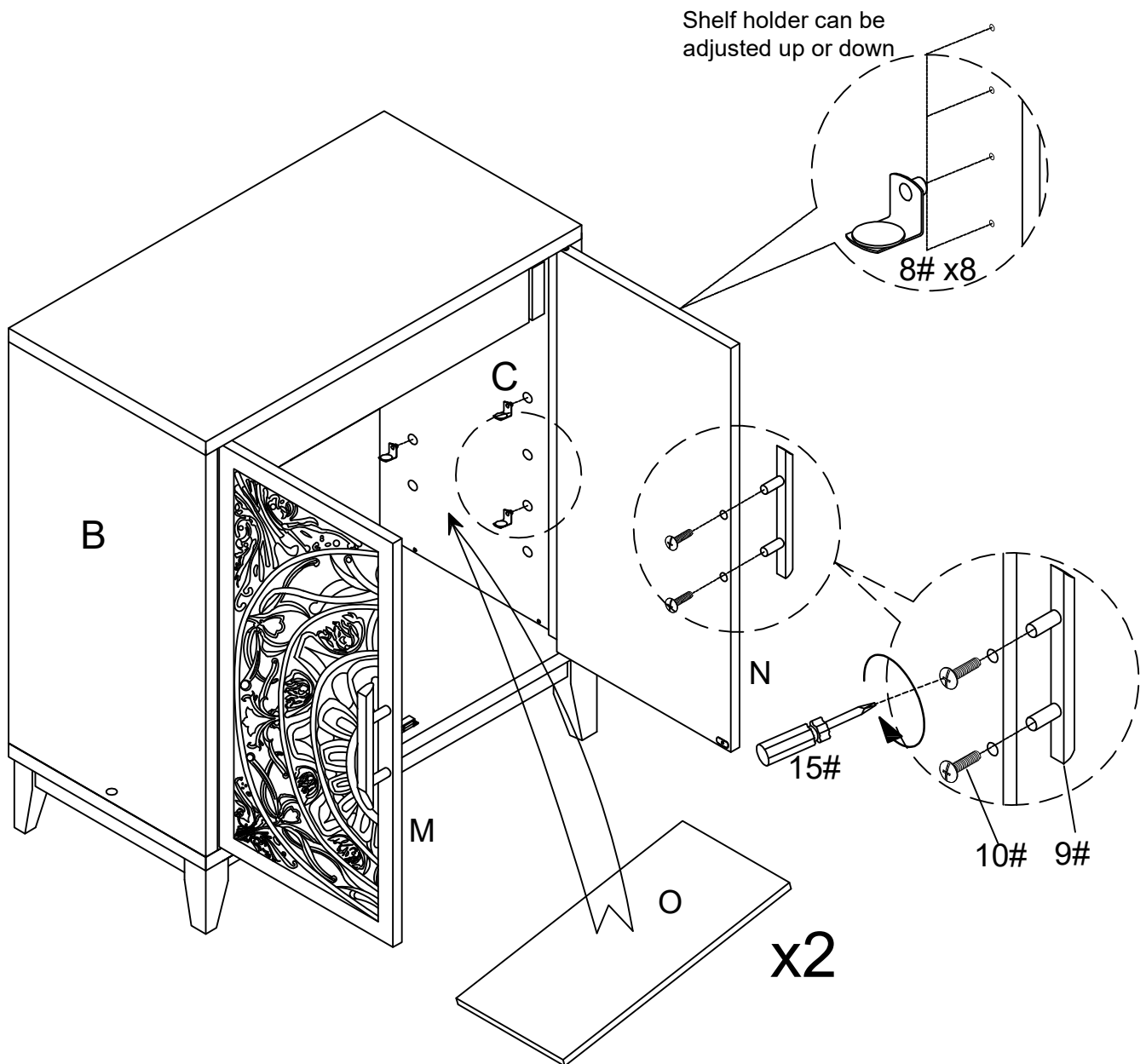
1. attach the door (M/N) to the unit pre-assembled at step 8 with hand.



# ASSEMBLY INSTRUCTIONS

## STEP-10

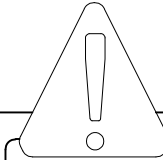
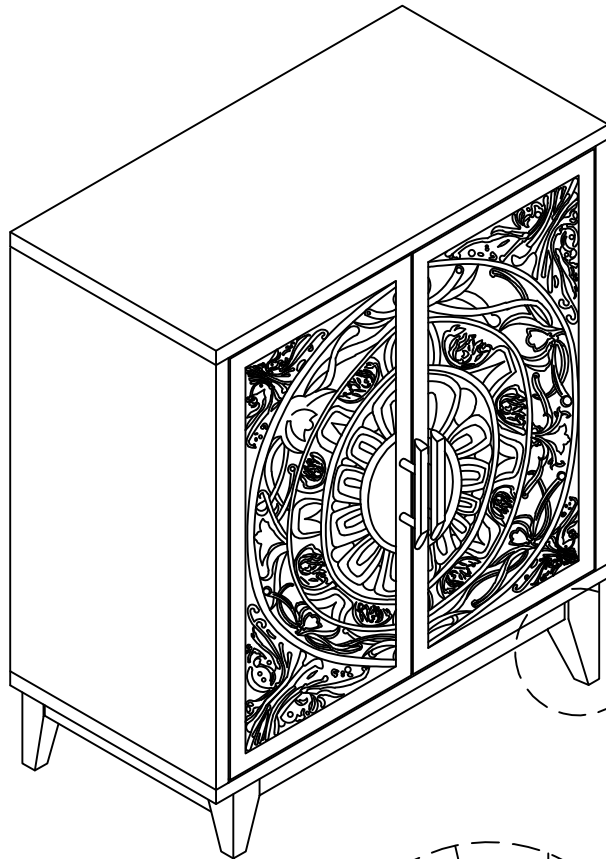
1. insert shelf holder #8 into part (B/C) with hand and attach part (O) to them.
2. connect handle #9 to the door with small bolt #10, tight small bolt with screwdriver #15.



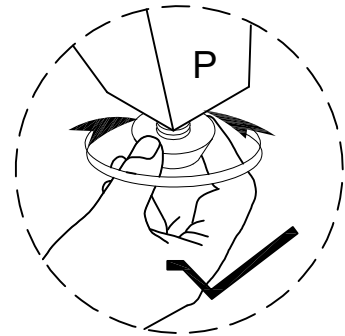
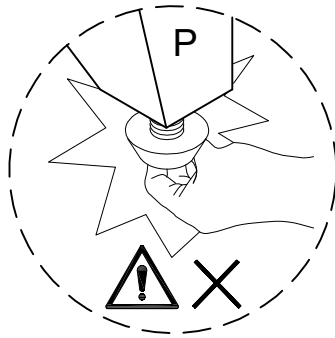
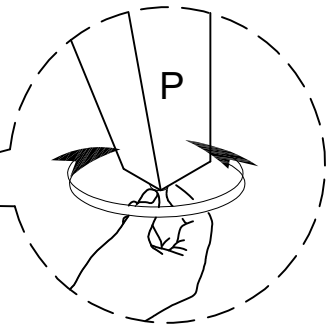
8#	x8	9#	x2	10#	x4	15#	x1
				5/32"*22mm			

# ASSEMBLY INSTRUCTIONS

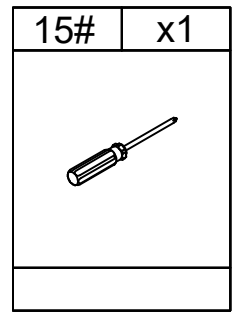
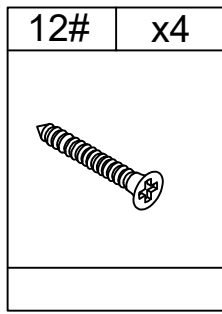
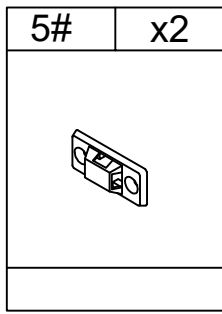
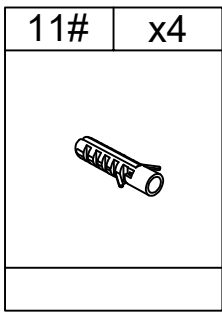
## STEP-11



**Attention:**  
After installation, adjust the adjustable leveler to keep the cabinet balanced .



# ASSEMBLY INSTRUCTIONS

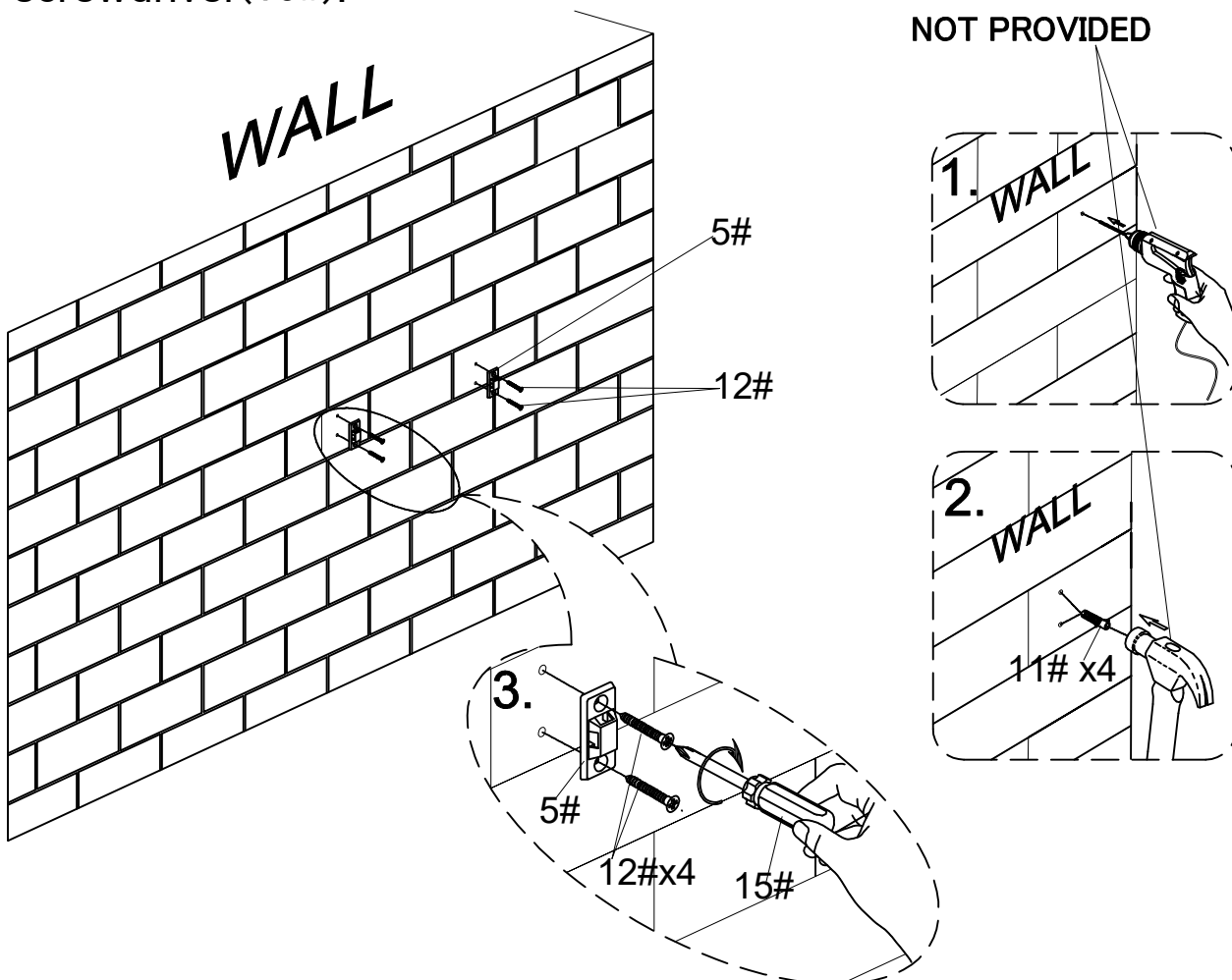


## STEP-12

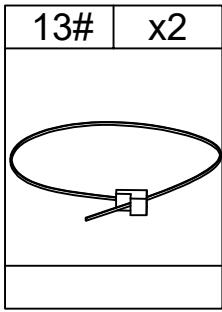
1. Install the anti-collapse device.

2. Mark the position on the wall, that corresponds to the location of part (5#) on the back of panel (E); Drill and insert the expandable screw (11#) by hammer.

3. Assemble the part (5#) to the wall. Align the hole in the part (5#) with the expandable screw (11#), use screw (12#) to attach it and tighten by screwdriver(15#).

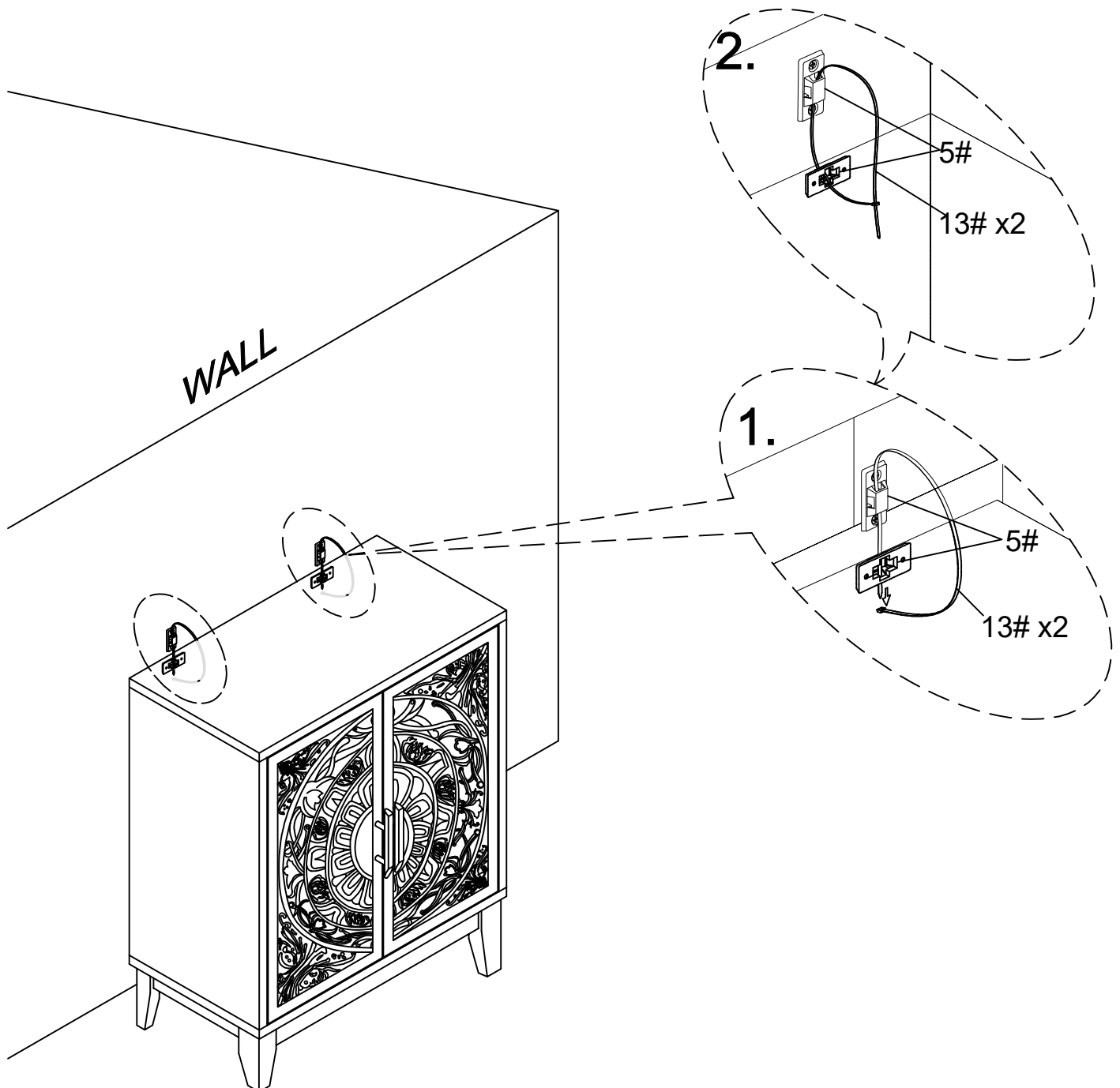


# ASSEMBLY INSTRUCTIONS



## STEP-13

Let the plastic belt (13#) pass through the both part (6#) and pull tightly.



# WARRANTY

1. We strive to offer high-quality products, and we also try our best to satisfy each and every customer that orders from us with product or service as needed.
2. We provide 30 days warranty starting from the time you receive the item. Each customer must provide a record of their order such as the order number, or item receipt for any items that are out of the warranty period you may also still receive.
3. Replacement parts by purchasing them with our company if they are available.