

ASSEMBLY INSTRUCTIONS

IMPORTANT: This unit requires at minimum 2 people to assemble



DO NOT USE A DRILL FOR ASSEMBLY



PARTS CHECKLIST

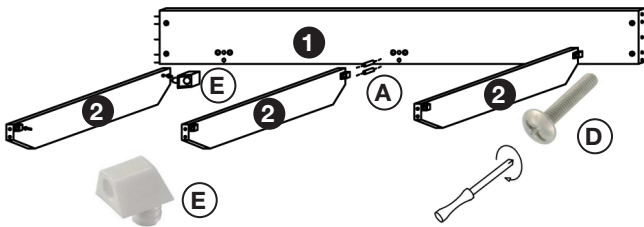
1	Side Rail
2	Ring/Slat support
3	Side Rail
4	Footboard
5	Under Headboard
6	Headboard

HARDWARE CHECKLIST

A		Wooden Dowels (24 pcs)
B		Cams (8 pcs)
C		Pins (8 pcs)
D		Screws TBL 4MA (6 pcs)
E		Cams for TBL 4MA (6 pcs)
F		Screws TBL 6MA (18 pcs)
G		Screws TBL 4x20 (32 pcs)
H		Iron Corner (4 pcs)

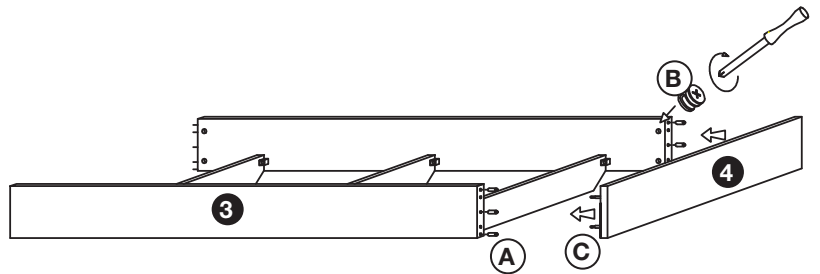
Step 1

Fit the slat supports to the side rail, using the screws 4MA



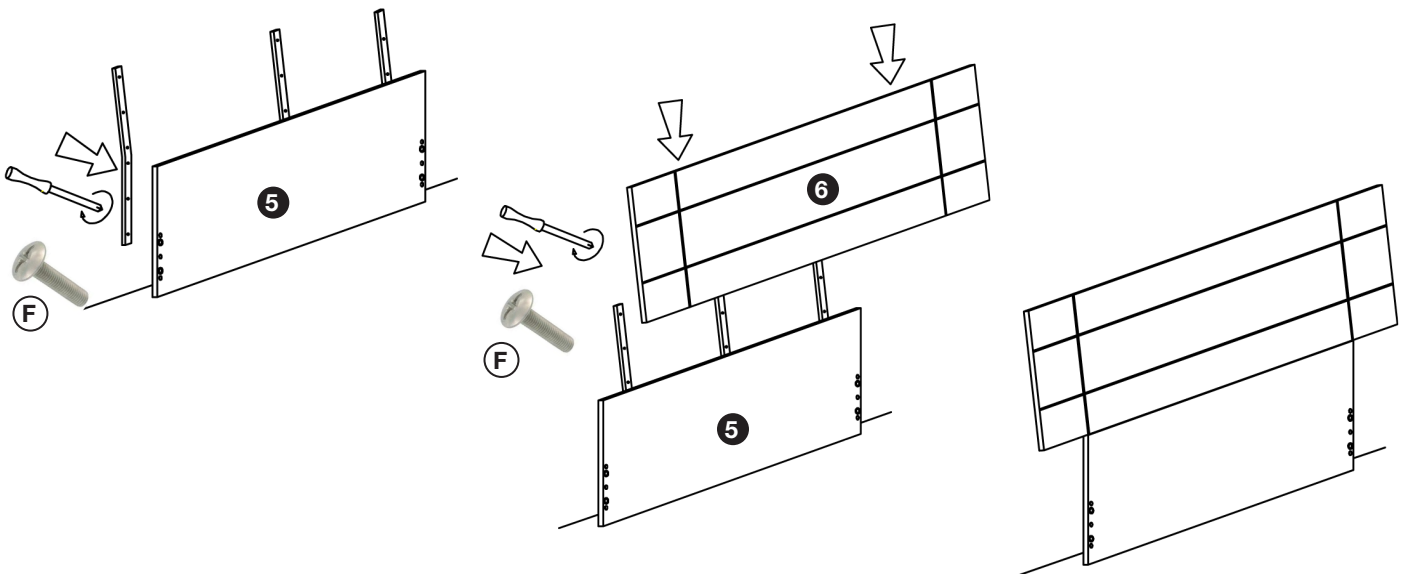
Step 2

Assemble the other side rail on the slat supports and assemble the footboard, using the pins, cams and wooden dowels



Step 3

Fit the iron bars first on the under headboard and the on the headboard, using the screws 6MA



ASSEMBLY INSTRUCTIONS

IMPORTANT: This unit requires at minimum 2 people to assemble



DO NOT USE A DRILL FOR ASSEMBLY



PARTS CHECKLIST

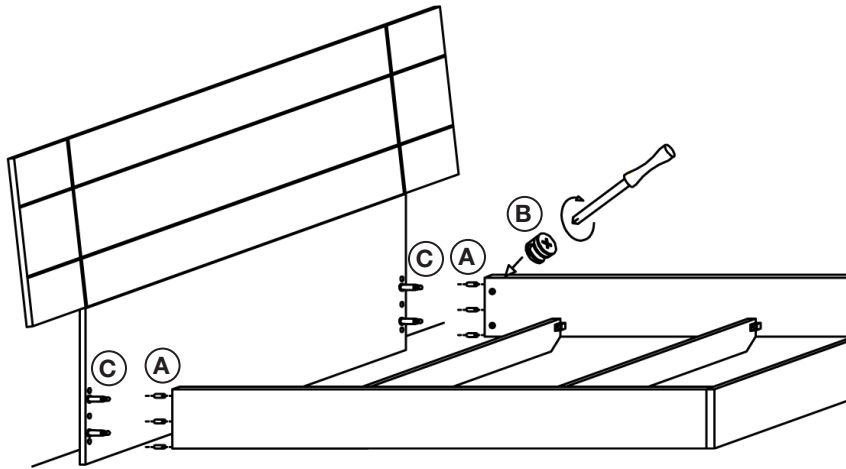
1	Side Rail
2	Ring/Slat support
3	Side Rail
4	Footboard
5	Under Headboard
6	Headboard

HARDWARE CHECKLIST

A		Wooden Dowels (24 pcs)
B		Cams (8 pcs)
C		Pins (8 pcs)
D		Screws TBL 4MA (6 pcs)
E		Cams for TBL 4MA (6 pcs)
F		Screws TBL 6MA (18 pcs)
G		Screws TBL 4x20 (32 pcs)
H		Iron Corner (4 pcs)

Step 4

Assemble the headboard to the side rails using the pins, cams and wooden dowels.



Step 5

Fit the iron corner on the side rails and to the under headboard, using the screws TSP 4x20

