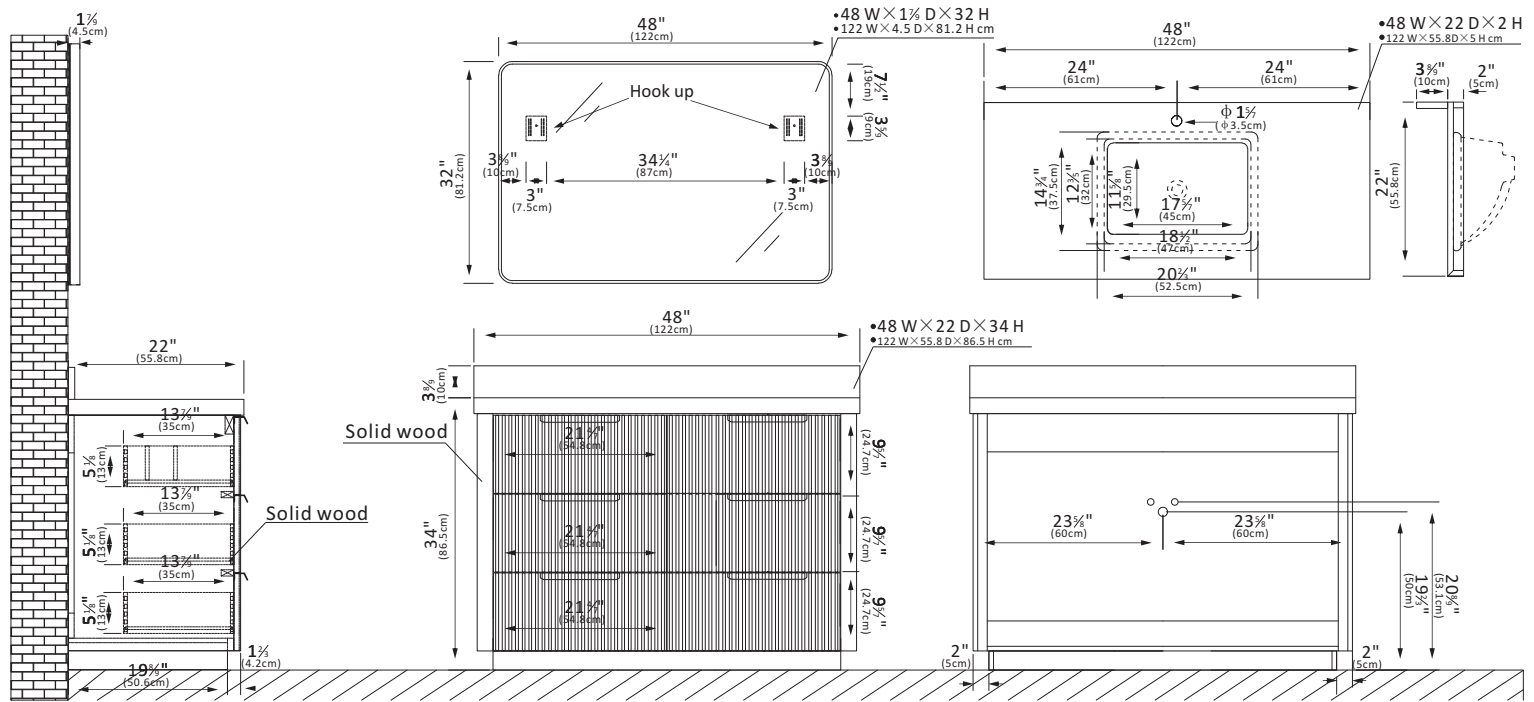


Vanity Collection



Features

- **Durable Materials:** Crafted from natural, imported solid wood for superior durability and enduring beauty. Natural Variation: this product is made of natural materials which makes it unique and can lead to slight color/size variations.
- **Stunning Finish:** Available in Oak Weathered Black or Washed Ash Grey finish to complement your décor, using environmentally friendly paint products.
- **Ample Storage Space:** Six solid wood, corrugated, soft-closing dovetail drawers offer ample space for all your toiletries.
- **High-Quality Hardware:** Sleek, minimalistic Brushed Nickel (Oak Weathered Black finish) or Brushed Gold (Washed Ash Grey finish) handles add a cool touch of style and contrast against the textured wood. (Handles come as shown - no customization options available)
- **Modern Top:** 2.0"-thick, pure quartz countertop with backsplash lends a fresh and contemporary look. With a high-gloss, anti-fouling coating, the countertop is scratch-resistant, wear-resistant, and easy to clean.
- **Nano-Coated Basin:** Bright white Nano anti-fouling coating ceramic undermount sink with overflow blends seamlessly with the stone vanity top.
- **Faucet Type:** Countertop has a pre-drilled, standard 1-3/8" faucet hole.
- **Accessories:** Does not include mirror (mirror sold separately), faucet, all plumbing components (drain, P-trap), or storage cabinet. Comes fully assembled and ready to install in your bathroom.
- **No Installation Required:** Freestanding bathroom vanity (without back panel) comes fully assembled for your convenience. Designed for easy, no-hassle plumbing and faucet installation.
- **Full Warranty:** 1-Year Manufacturer Warranty—purchase with 100% peace of mind.
- **Country of Origin:** Vietnam

* *Good to Remind: The natural tone and colors of the cabinet and countertop may appear slightly different under various lighting conditions.*