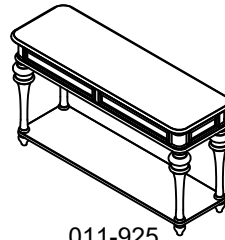


ASSEMBLY INSTRUCTIONS



011-925

BEFORE YOU START:

1. Check the parts against the parts list to make sure all items are present.
2. Assemble your furniture on a soft, flat surface to avoid scratching the finish.
3. **CAUTION:** Do not over tighten screws, nuts or bolts during assembly.
4. Your furniture may require occasional tightening.

INSTRUCTIONS:

1. Attach the cylindrical body to table top. (See Figure 1).
2. Attach the leg to cylindrical body. (See Figure 2).

Figure 1

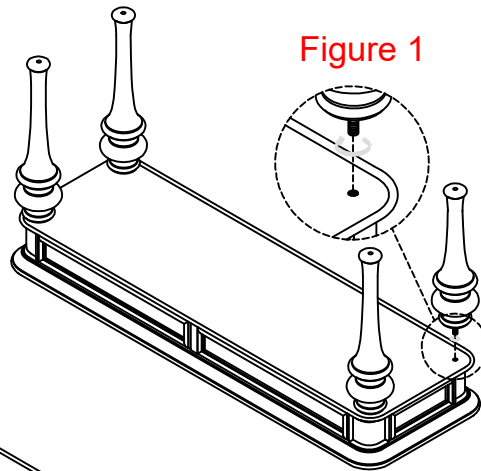


Figure 2

