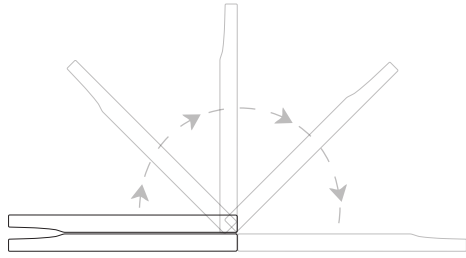


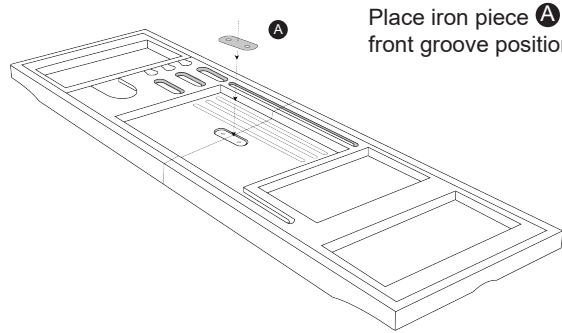
1



Unfold the bathtub tray.

2

A x1

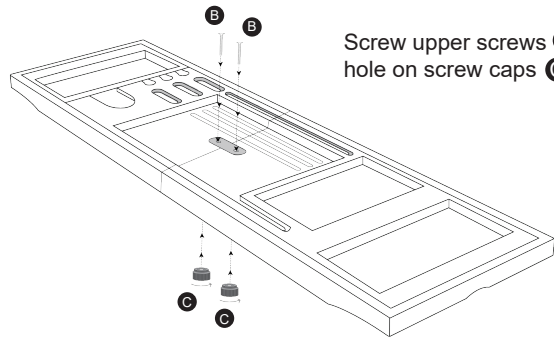


Place iron piece **A** on the front groove position.

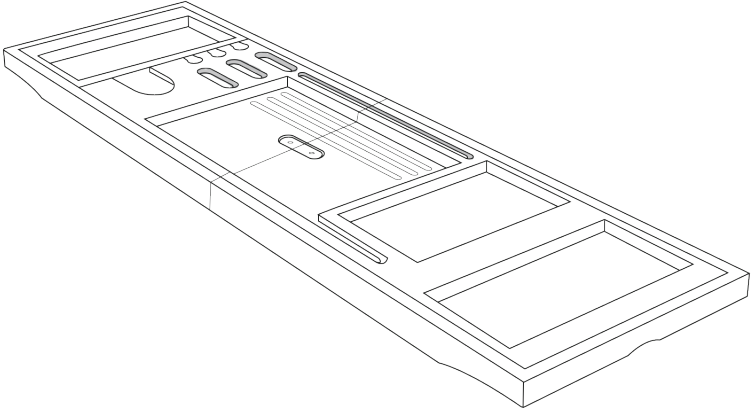
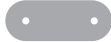
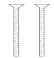



3

B x2

C x2



Screw upper screws **B** into the hole on screw caps **C**

 <p>Bamboo Bathtub Tray</p>		
<p>A x1</p>  <p>Iron Piece</p>	<p>B x2</p>  <p>Screw</p>	<p>C x2</p>  <p>Screw cap</p>
<p>D x1</p>  <p>Book & Tablet Holder</p>		<p>E x1</p>  <p>Soap Dish</p>