

BUTLER

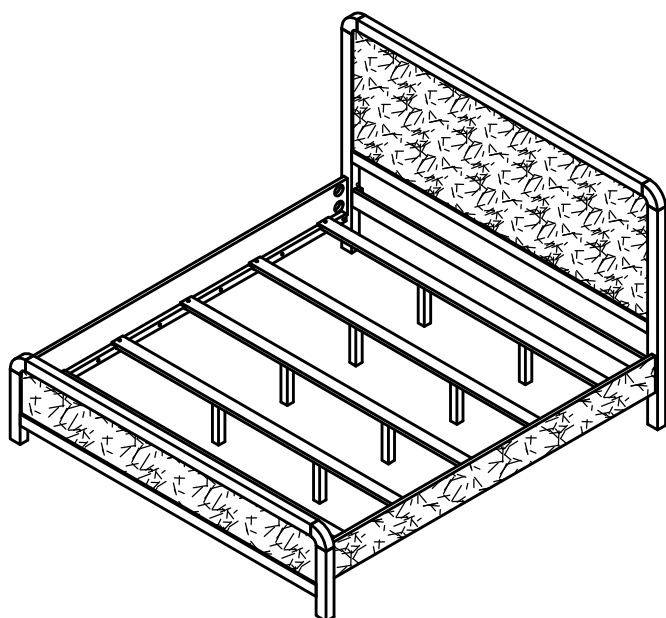
SPECIALTY COMPANY

EST. 1930

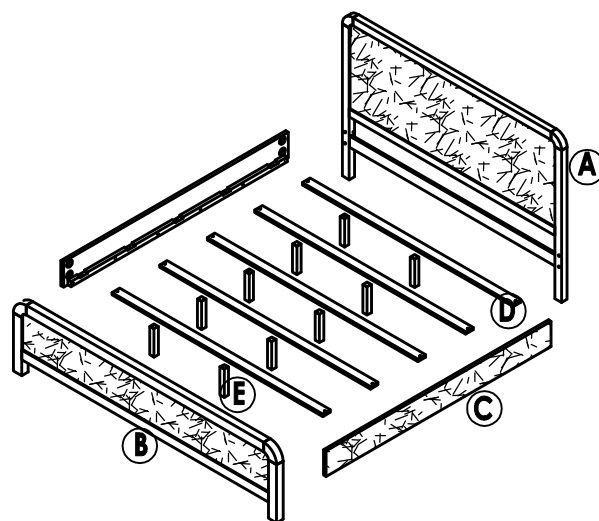
Assembly Instructions

5791444

Burl King Bed



ITEM	DESCRIPTION	QUANTITY
A	Headboard	1
B	Footboard	1
C	Siderail	2
D	Slats	5
E	Support Legs	10



hardware



H1 x 8
Threaded Stud m8x90mm



H2 x 8
Flat Washer m8xØ17



H3 x 8
Spring Washer m8xØ13



H4 x 8
Half Moon
Washer m10



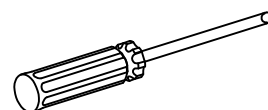
H5 x 8
Hex Nut m8



H6 x 1
Wrench Key #12



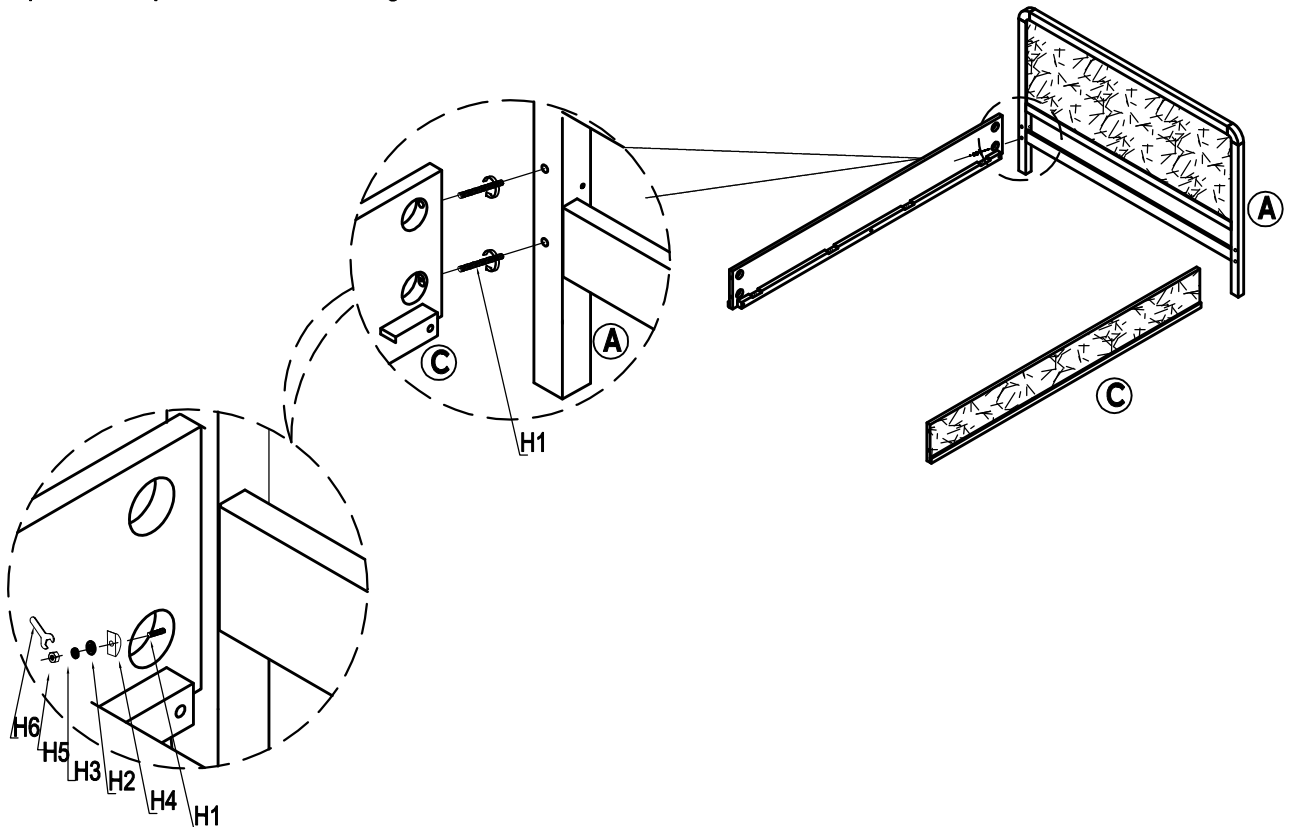
H7 x 10
Screw Ø8 x 1-1/4"



Screw Driver
NOT INCLUDED

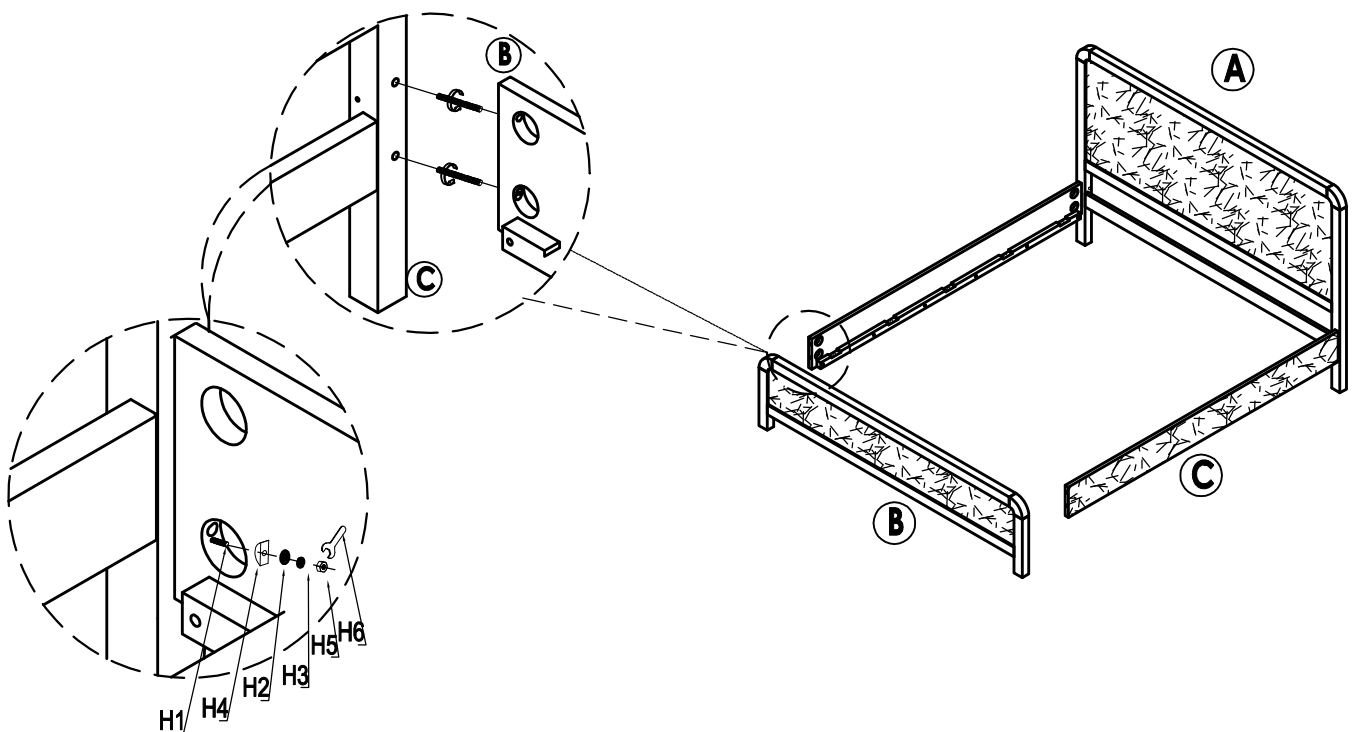
STEP 1

Attach the threaded studs (H1) into the Headboard (A) as illustrated below, tighten the threaded studs (H1) by hand. Then attach the Siderail (C) into the threaded studs (H1) which was attached into the Headboard (A). Then add half moon washers (H4), flat washers (H2), spring washers (H3) and Hex Nuts (H5). Engage the Hex Nuts (H-5) by hand but do not fully tighten them in this step. Repeat this step to instal the remaining Siderail.



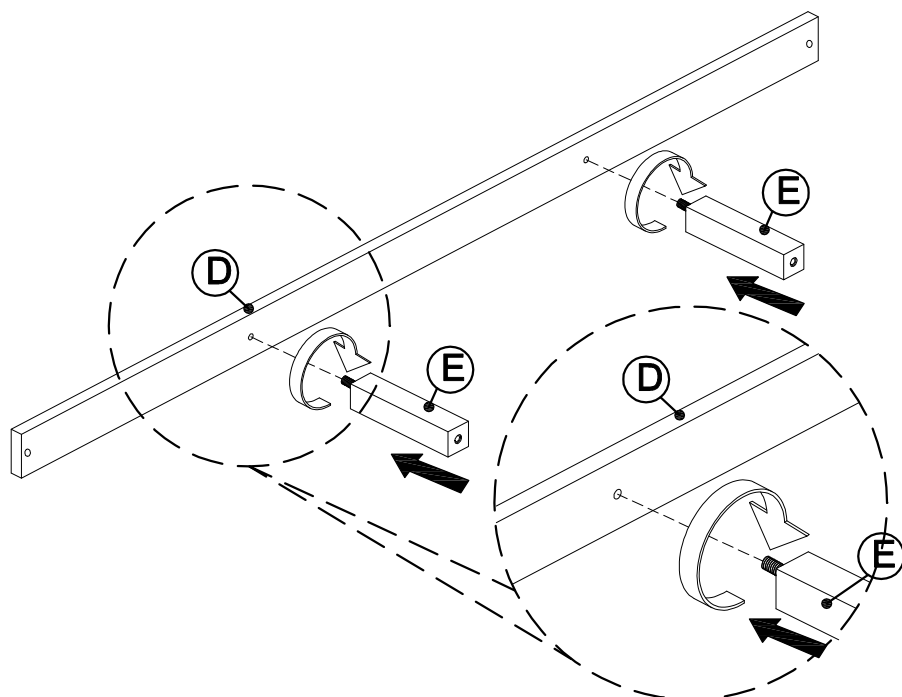
STEP 2

Attach the threaded studs (H1) into the Footboard (B) as illustrated below, tighten the threaded studs (H1) by hand. Then attach the Siderail (C) into the threaded studs (H1) which was attached into the Footboard (B). Then add half moon washers (H4), flat washers (H2), spring washers (H3) and Hex Nuts (H5). Tighten the Hex Nuts (H5) included the Hex Nuts in step 1 using the provided wrench (H6). Repeat this step to instal the remaining Siderail.



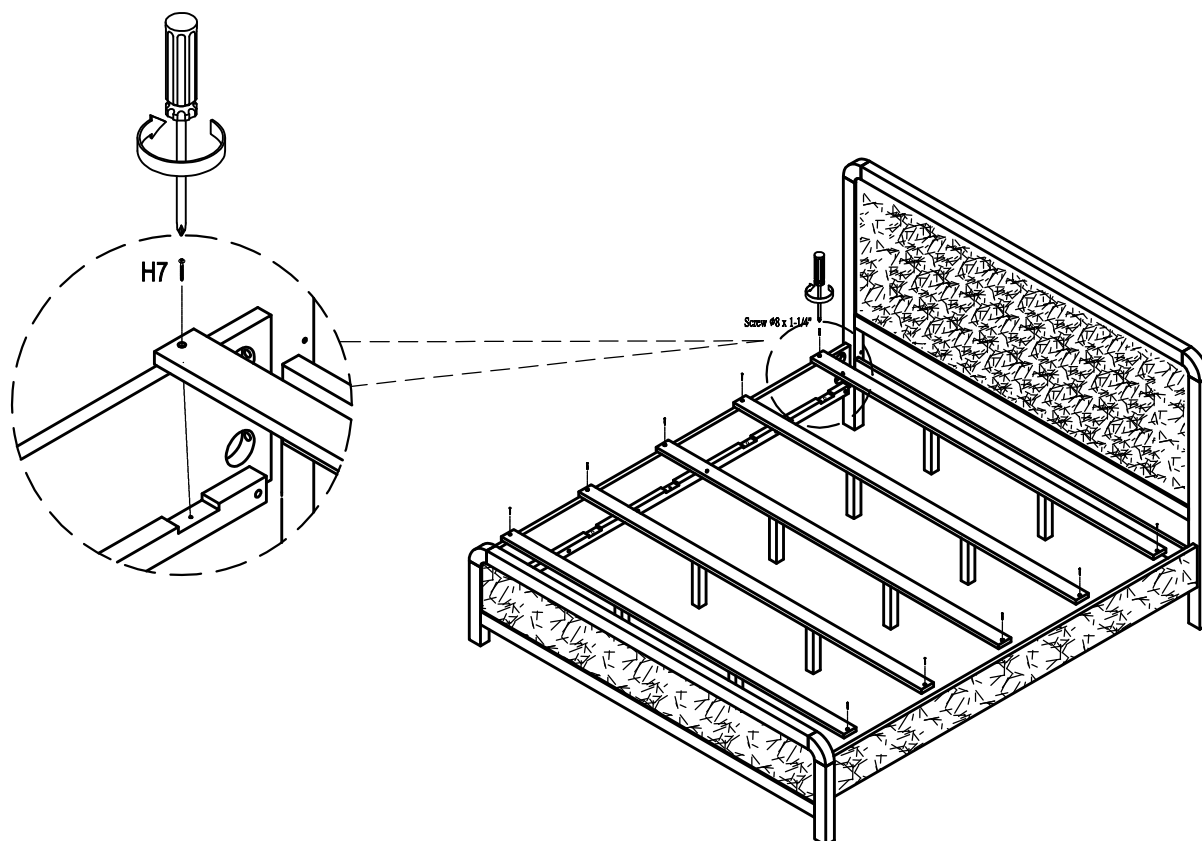
STEP 3

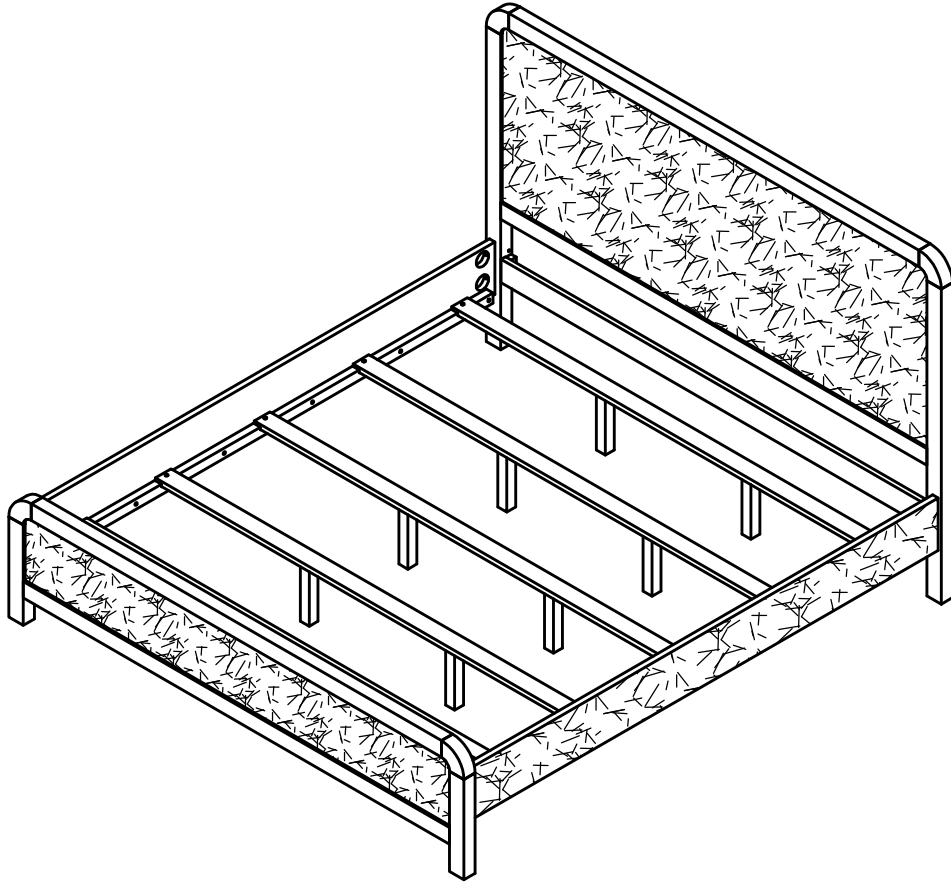
Insert the threaded bolt on the Support Leg (E) into the middle hole on the Slat (D). Secure the Support Leg (D) in on the Slat (D) by turning the Support Leg clockwise until tightened. Repeat this step to instal the remaining Support Legs.



STEP 4

Place the slats (D) on the Siderail (C) As shown. Secure the slats (D) into the Siderail (C) using screws (H7). Tighten the screw using screw driver (not included).





Congratulations

Assembly complete, Your Burl King Bed is ready to use.

(*) Caution : DO NOT OVERTIGHTEN

In any correspondence regarding this product, please include the complete Butler identification number located on the underside of the product.

We hope this product will be a useful and decorative addition to your home for years to come.

Copyright© Butler Specialty Company, 7 / 23