

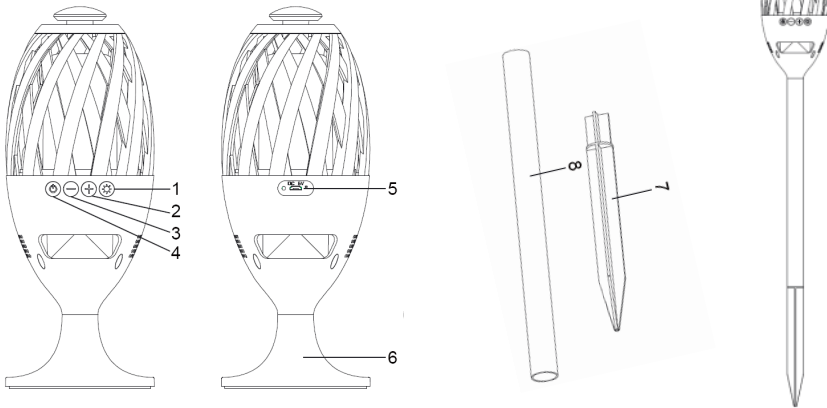
User Manual

Welcome

Thanks for purchasing this **iMounTEK LED Flame Speakers**. In order to let you experience this swimmingly, detailed instruction is provided. Please read this user manual carefully before use and put it in a safe place future reference.

Packing Lists

- 1 x LED Flame Speaker
- 1 x USB Cable
- 1 x Extend Pipe
- 1 x Stand Base
- 1 x Plastic Ground Spike
- 1 x User Manual



- ❶ Light Button
- ❷ Next Track/Volume Increase V+
- ❸ Previous Track/Volume Decrease V-
- ❹ Power /Play/Pause Button
- ❺ Charging Port
- ❻ Stand Base
- ❼ Extend Pipe
- ❽ Plastic Ground Spike

Charging The Speaker

To charge the wireless pairing speaker, connect the supplied micro USB cable to the USB charging port and the other end to your computer or USB charging device. Before using it for the first time we recommend you charge the battery fully.

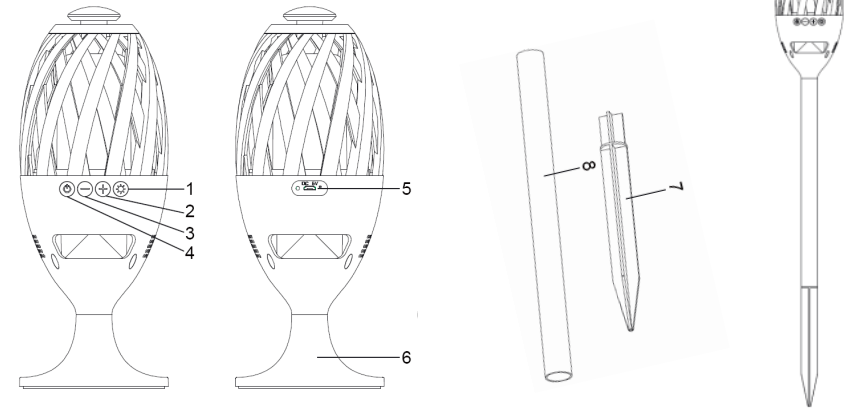
User Manual

Welcome

Thanks for purchasing this **iMounTEK LED Flame Speakers**. In order to let you experience this swimmingly, detailed instruction is provided. Please read this user manual carefully before use and put it in a safe place future reference.

Packing Lists

- 1 x LED Flame Speaker
- 1 x USB Cable
- 1 x Extend Pipe
- 1 x Stand Base
- 1 x Plastic Ground Spike
- 1 x User Manual



- ❶ Light Button
- ❷ Next Track/Volume Increase V+
- ❸ Previous Track/Volume Decrease V-
- ❹ Power /Play/Pause Button
- ❺ Charging Port
- ❻ Stand Base
- ❼ Extend Pipe
- ❽ Plastic Ground Spike

Charging The Speaker

To charge the wireless pairing speaker, connect the supplied micro USB cable to the USB charging port and the other end to your computer or USB charging device. Before using it for the first time we recommend you charge the battery fully.





Single Pairing Speaker With Wireless Pairing Device

1. Turn on the wireless pairing speaker.
2. Open wireless pairing function on your device and search for "BTS-597".
3. If a PIN is required, enter the password '0000' to confirm to finalize pairing.
4. Connect it with your wireless pairing enabled device.

TWS pairing speaker with wireless pairing device

1. Make sure both wireless pairing speakers are turned on and without paired any device, short press "POWER" button twice on each of two wireless pairing speakers, then both speakers will be automatically connected, once paired successfully, you will hear an indication tone.
2. Open wireless pairing function on your device and search for the wireless pairing device, only one "BTS-597" will be shown up in the list instead of two, Pair it with this device.
3. If a PIN is required, enter the password '0000' to confirm to finalize pairing.
4. Connect it with your wireless pairing enabled device.

Button Functions

	Turn on / Turn off the speaker Press the button to pause while playing music, press again to continue playing.
	Press and hold the button to increase the volume, Press shortly to next track
	Press and hold the button to decrease the volume; Press shortly to previous track
	Turn on / Turn off the flame led light

TECHNICAL SPECIFICATIONS

- Wireless Pairing Version: V 4.2
- Working distance:
Up to 10 meters in open space
- Speaker Output: 3 W
- Frequency response: 80 Hz – 20 KHz
- Charging input power: DC 5 V
- Charging time: about 4 hours
- Playback time: Approx. 3-4 hours
- LED: 60 Pcs
- Built-In Rechargeable Battery: 3.7V/1200mAh
- Unit Size: 100 x 100 x 190 mm
(without extend pipes)

Note: Battery life & charging time may vary, based on usage & types of devices used. The product design and specifications may be changed subject of without prior notice!





Single Pairing Speaker With Wireless Pairing Device

1. Turn on the wireless pairing speaker.
2. Open wireless pairing function on your device and search for "BTS-597".
3. If a PIN is required, enter the password '0000' to confirm to finalize pairing.
4. Connect it with your wireless pairing enabled device.

TWS pairing speaker with wireless pairing device

1. Make sure both wireless pairing speakers are turned on and without paired any device, short press "POWER" button twice on each of two wireless pairing speakers, then both speakers will be automatically connected, once paired successfully, you will hear an indication tone.
2. Open wireless pairing function on your device and search for the wireless pairing device, only one "BTS-597" will be shown up in the list instead of two, Pair it with this device.
3. If a PIN is required, enter the password '0000' to confirm to finalize pairing.
4. Connect it with your wireless pairing enabled device.

Button Functions

	Turn on / Turn off the speaker Press the button to pause while playing music, press again to continue playing.
	Press and hold the button to increase the volume, Press shortly to next track
	Press and hold the button to decrease the volume; Press shortly to previous track
	Turn on / Turn off the flame led light

TECHNICAL SPECIFICATIONS

- Wireless Pairing Version: V 4.2
- Working distance:
Up to 10 meters in open space
- Speaker Output: 3 W
- Frequency response: 80 Hz – 20 KHz
- Charging input power: DC 5 V
- Charging time: about 4 hours
- Playback time: Approx. 3-4 hours
- LED: 60 Pcs
- Built-In Rechargeable Battery: 3.7V/1200mAh
- Unit Size: 100 x 100 x 190 mm
(without extend pipes)

Note: Battery life & charging time may vary, based on usage & types of devices used. The product design and specifications may be changed subject of without prior notice!