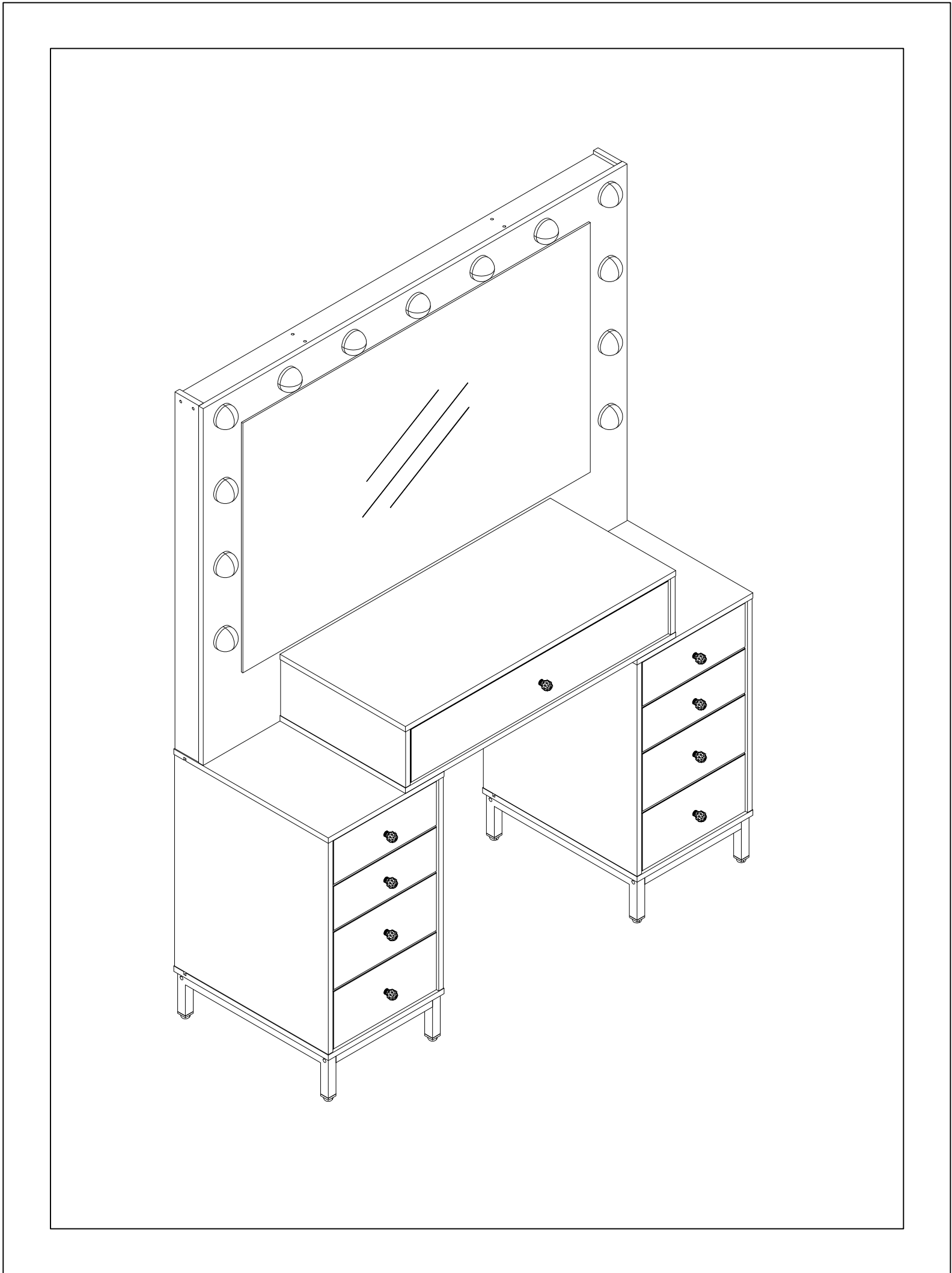
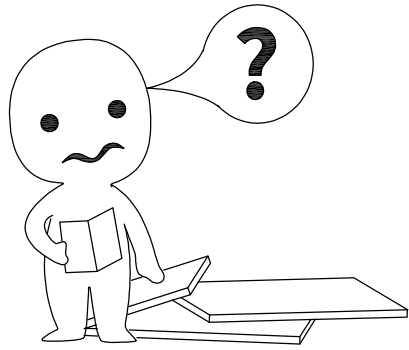


ASSEMBLY

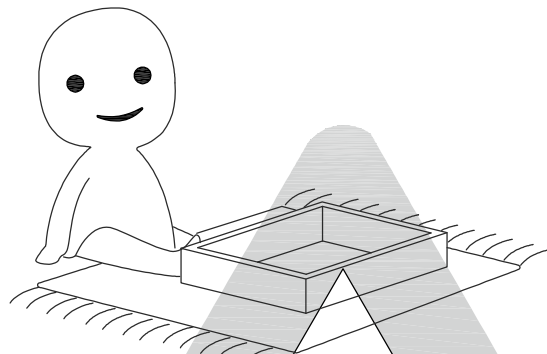
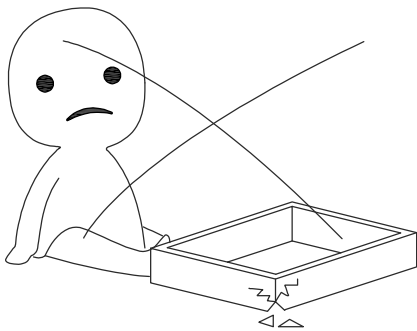
Instructions





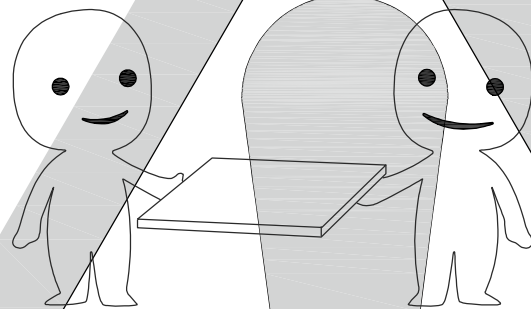
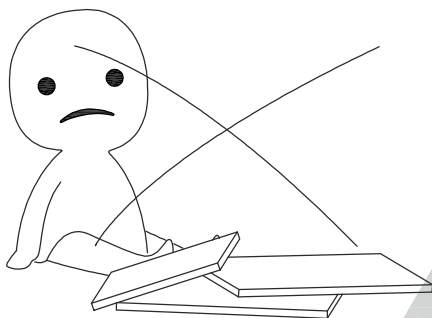
IMPORTANT INFORMATION!

please read the entire manual before starting to assemble and/or using this product. follow the manual thoroughly and keep it for further reference.



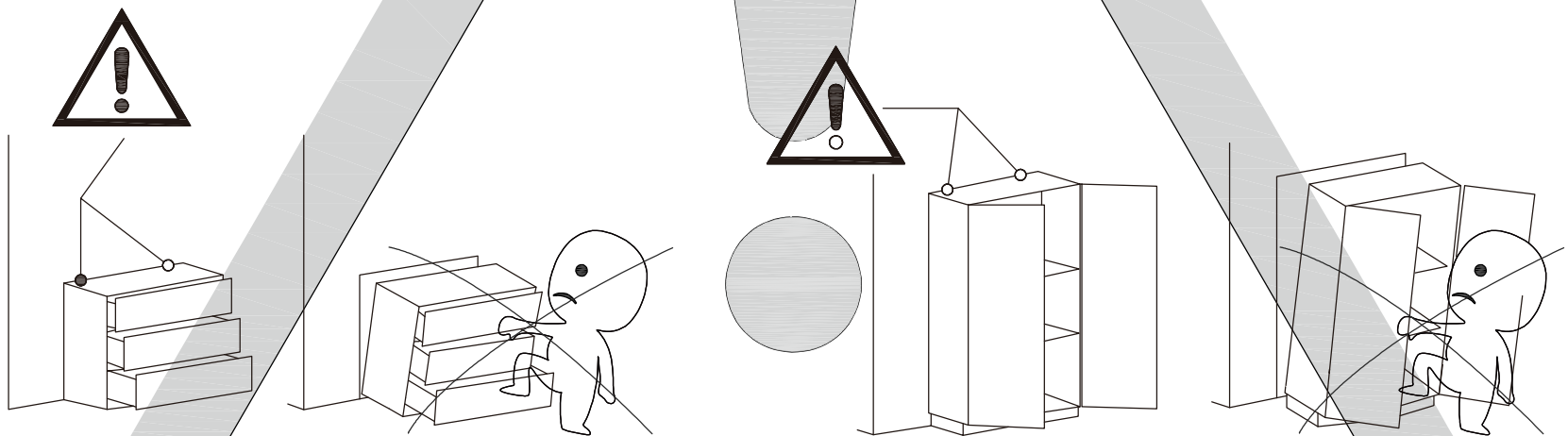
AVOID SCRATCHES!

In order to avoid scratching this furniture should be assembled on a soft layer- could be a rug.



IMPROVE EFFICIENCY !

Try to find a partner to install with you, which can speed up the installation efficiency and shorten the time.



ANTI-TOPPLE WARNING !

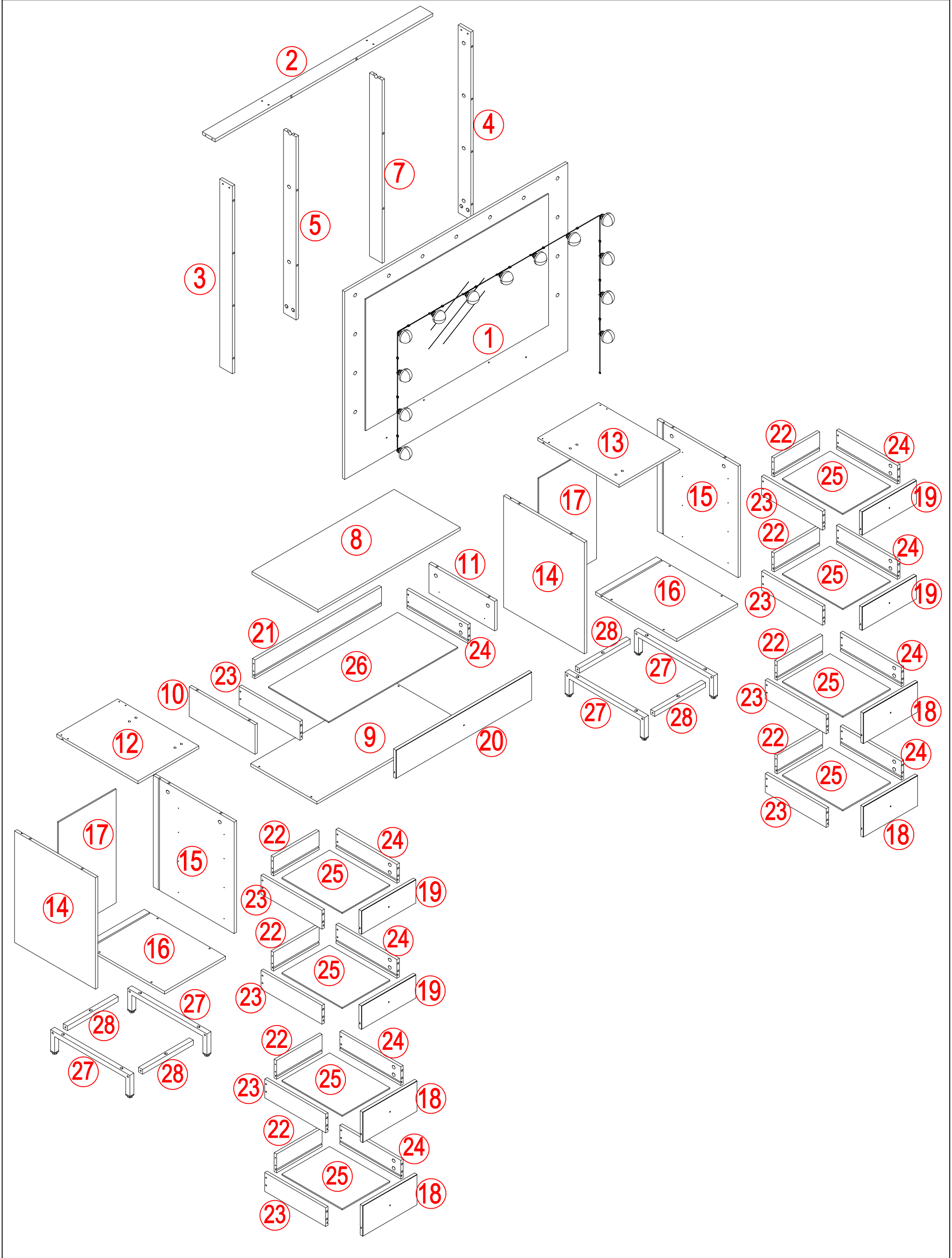
Overtured furniture can cause serious or fatal crush injuries. To prevent tipping over, be sure to use the wall attachment, if not included with this product. Please purchase the wall attachment that fit your wall. If unsure, seek professional advice. Please read and follow each step of the instructions carefully.

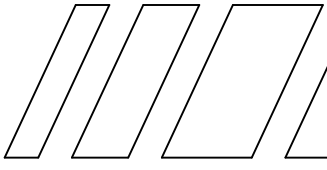
IMPORTANT !

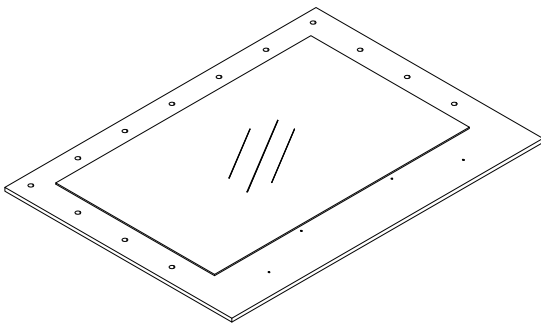
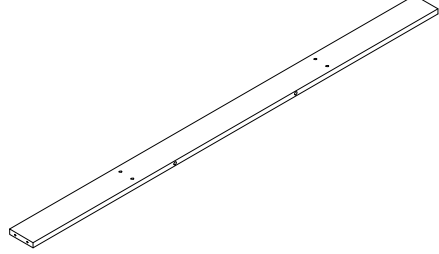
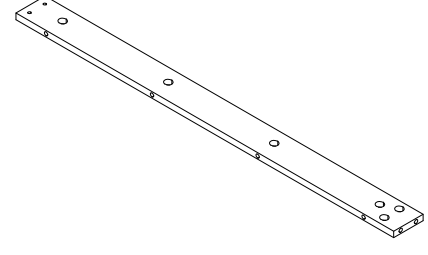
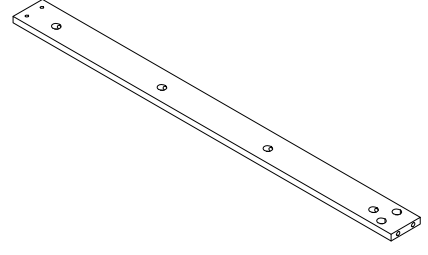
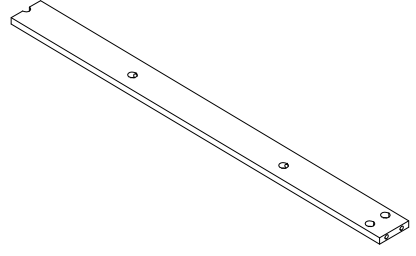
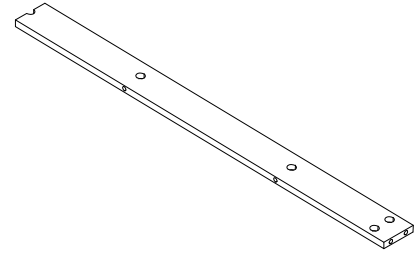
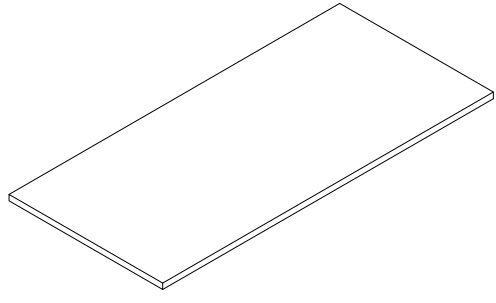
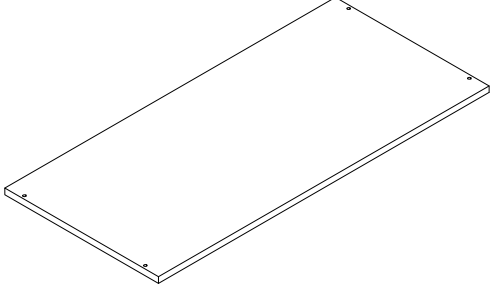
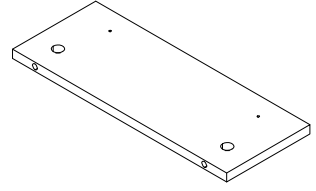
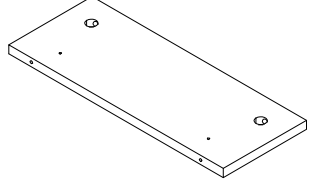
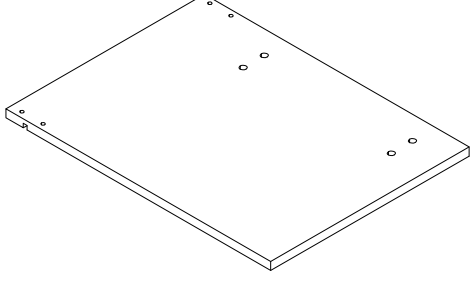
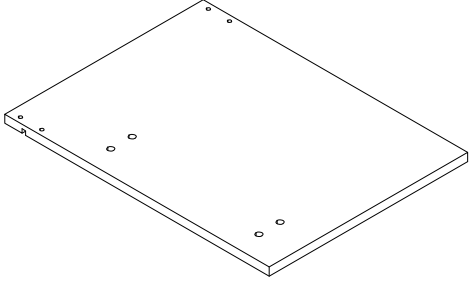
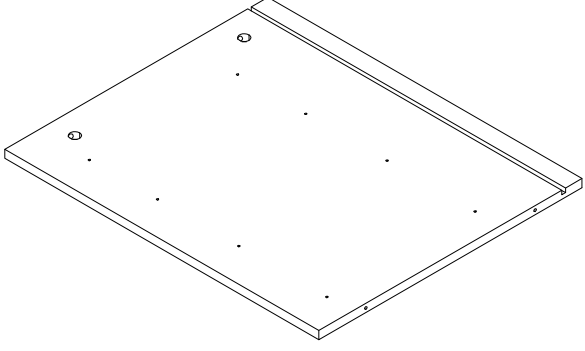
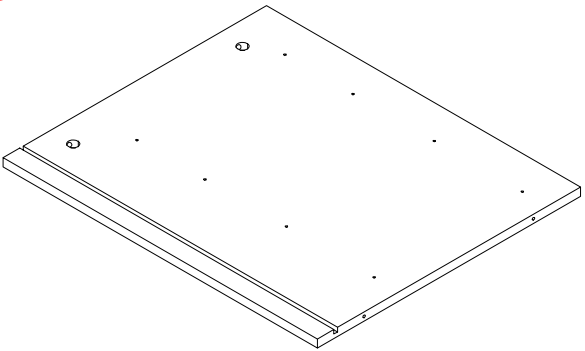
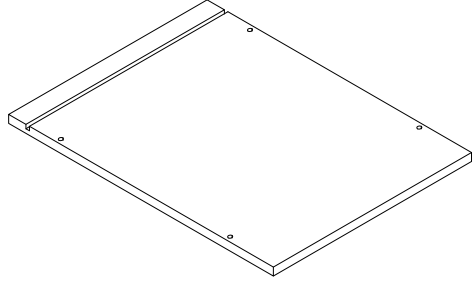
It is important that any product which is assembled using any kind of screw is re-tightened 2 weeks after assembly, and once every 3 months - in order to assure stability through-out the lifespan of the product.

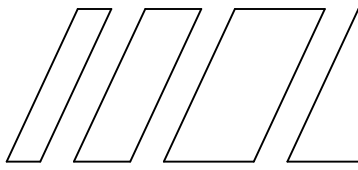
For regular maintenance and cleaning of the product, for the frame, please use a rag dipped in neutral detergent to fully wipe it, and then dry it with a clean rag. For glass materials, wipe with a rag dampened with water glass cleaner, and then dry with a dry rag.

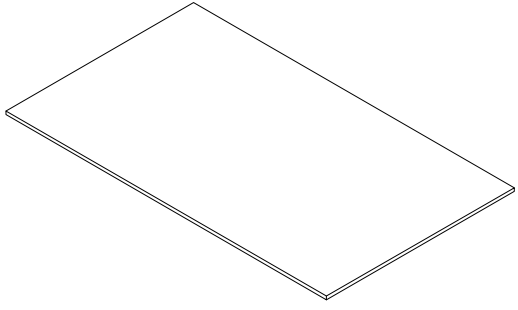
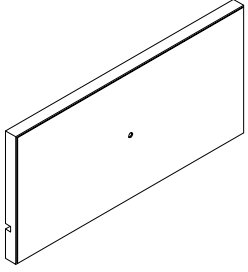
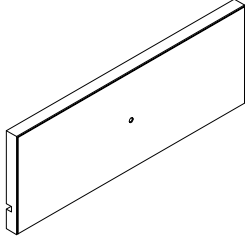
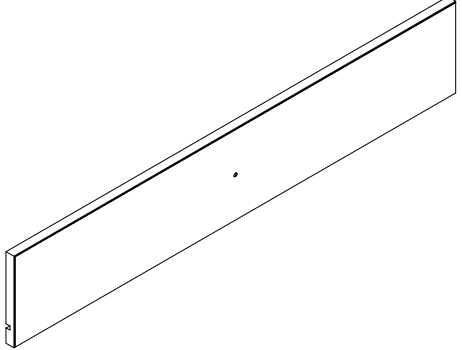
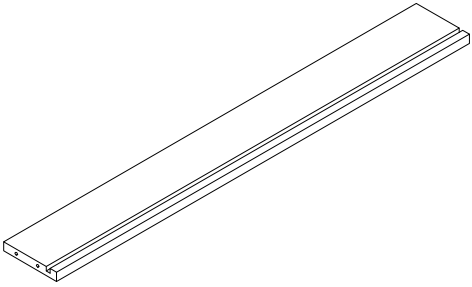
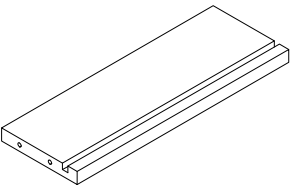
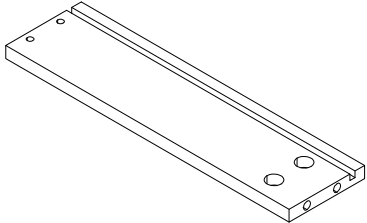
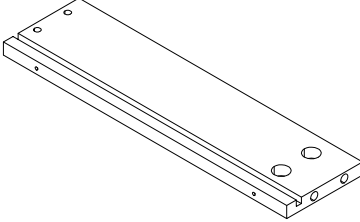
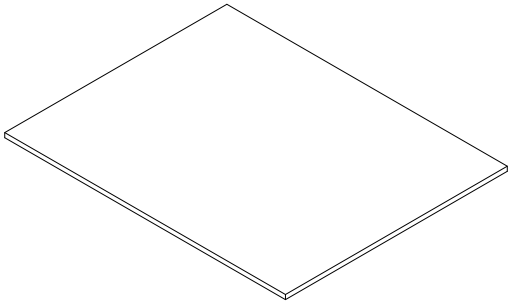
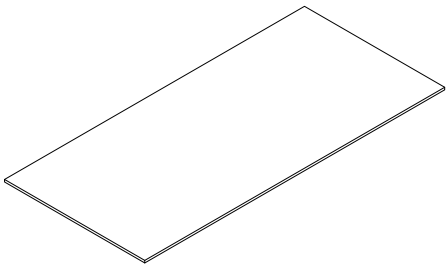
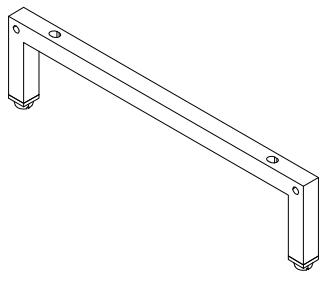
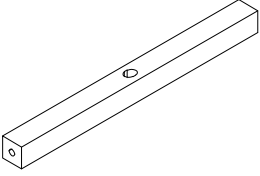
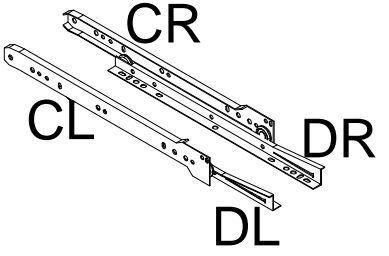







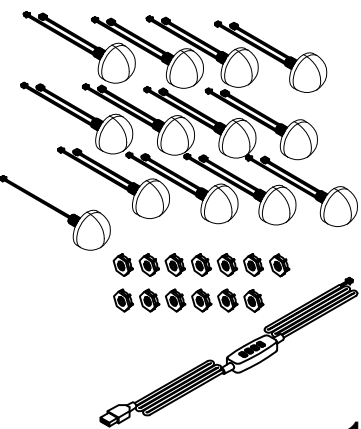




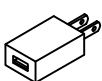


Do not use an electric screwdriver, and do not use too much force when installing, because the board is easy to break.





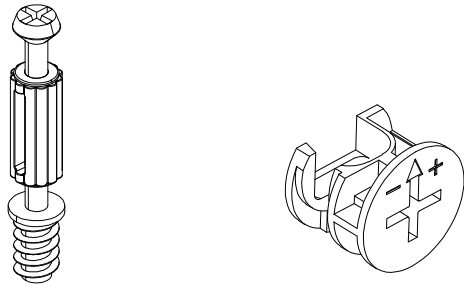
<p>①</p> 	<p>②</p> 	<p>③</p> 
<p>④</p> 	<p>⑤</p> 	<p>⑦</p> 
<p>⑧</p> 	<p>⑨</p> 	<p>⑩</p> 
<p>⑪</p> 	<p>⑫</p> 	<p>⑬</p> 
<p>⑭</p>  <p>2 PCS</p>	<p>⑮</p>  <p>2 PCS</p>	<p>⑯</p>  <p>2 PCS</p>



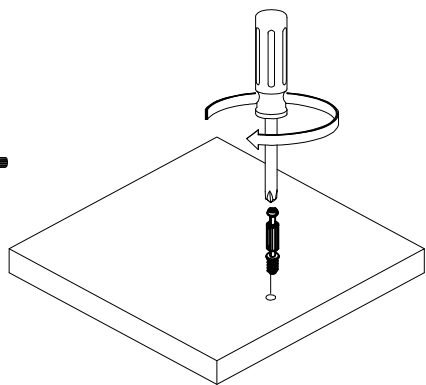
 <p>17</p> <p>2 PCS</p>		 <p>18</p> <p>4 PCS</p>		 <p>19</p> <p>4 PCS</p>			
 <p>20</p>		 <p>21</p>		 <p>22</p> <p>8 PCS</p>			
 <p>23</p> <p>9 PCS</p>		 <p>24</p> <p>9 PCS</p>		 <p>25</p> <p>8 PCS</p>			
 <p>26</p>		 <p>27</p> <p>4 PCS</p>		 <p>28</p> <p>4 PCS</p>		 <p>29</p> <p>12" 9 SETS</p>	
<p>A M5x42</p>  <p>70 PCS</p>	<p>B Ø15x10</p>  <p>70 PCS</p>	<p>C M5x40</p>  <p>60 PCS</p>	<p>D M3.5x12</p>  <p>72 PCS</p>	<p>E M6x20</p>  <p>8 PCS</p>	<p>F M6x28</p>  <p>12 PCS</p>	<p>G M6x40</p>  <p>8 PCS</p>	<p>P</p>  <p>1 SETS</p>
<p>H M3.5x14</p>  <p>8 PCS</p>	<p>J</p>  <p>8 PCS</p>	<p>L</p>  <p>9 PCS</p>	<p>M M4X16</p>  <p>9 PCS</p>	<p>N</p>  <p>1 PCS</p>	<p>4#</p> 		

Cam Lock Fastening System

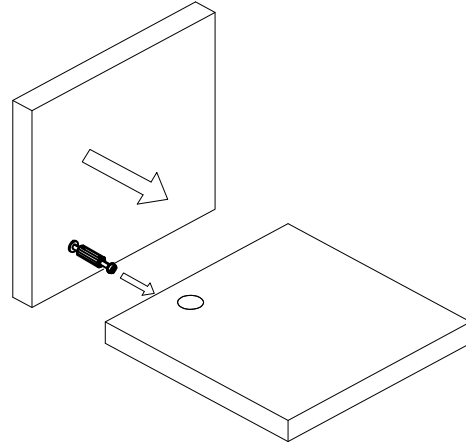
This Cam Lock Fastening System will be used throughout the assembly process



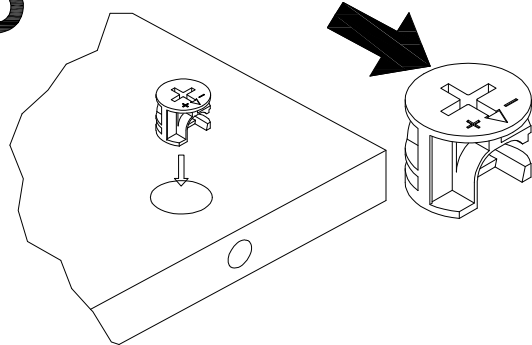
1



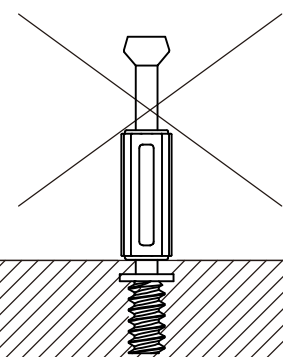
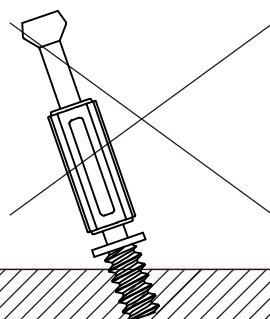
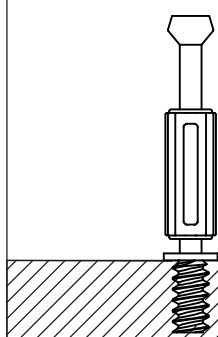
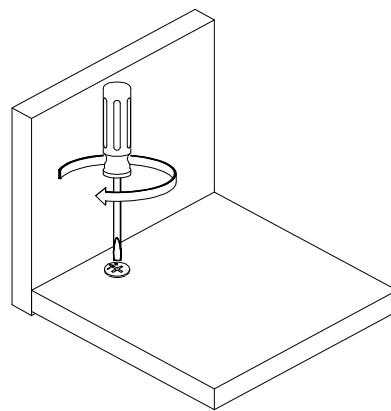
2



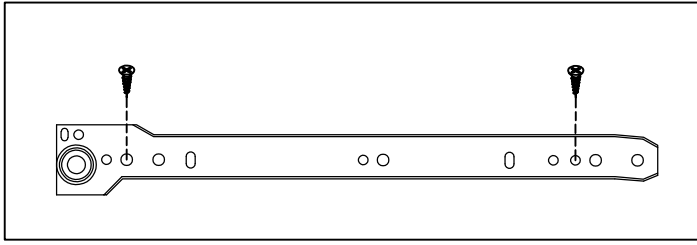
3



4



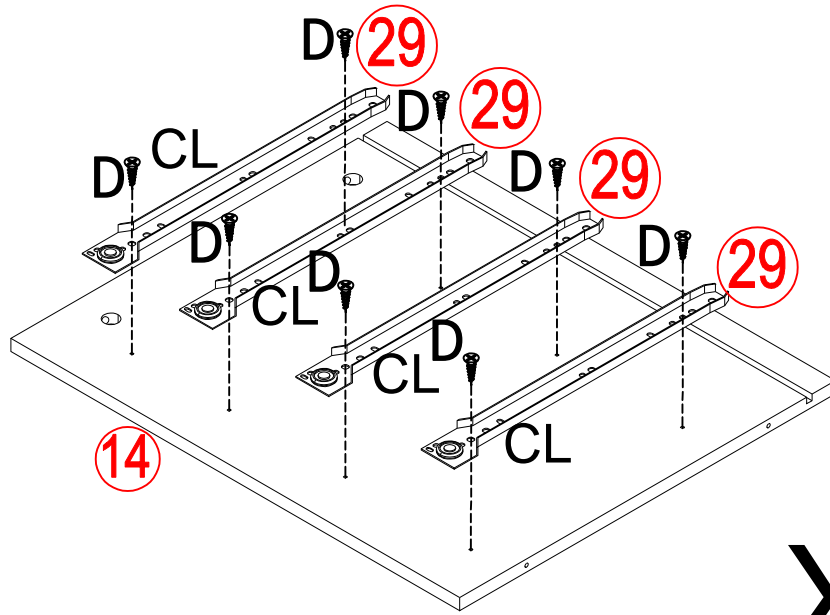
1



D M3.5x12

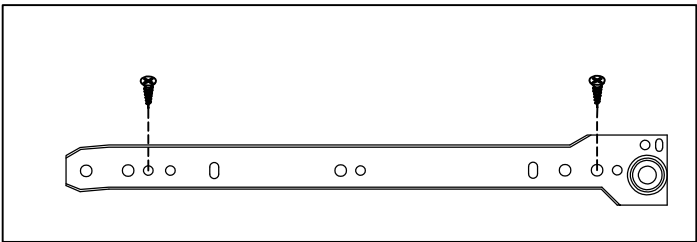


16 PCS



X2

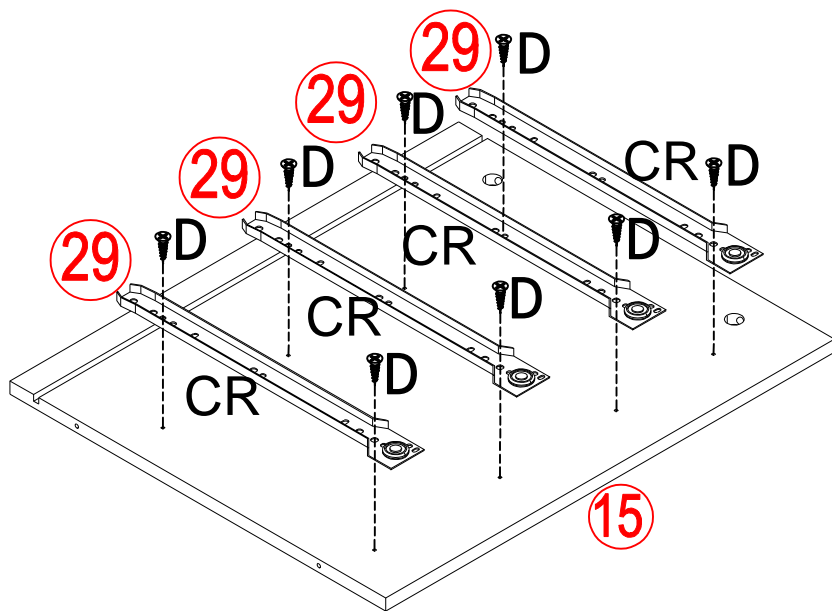
2



D M3.5x12



16 PCS



X2

3

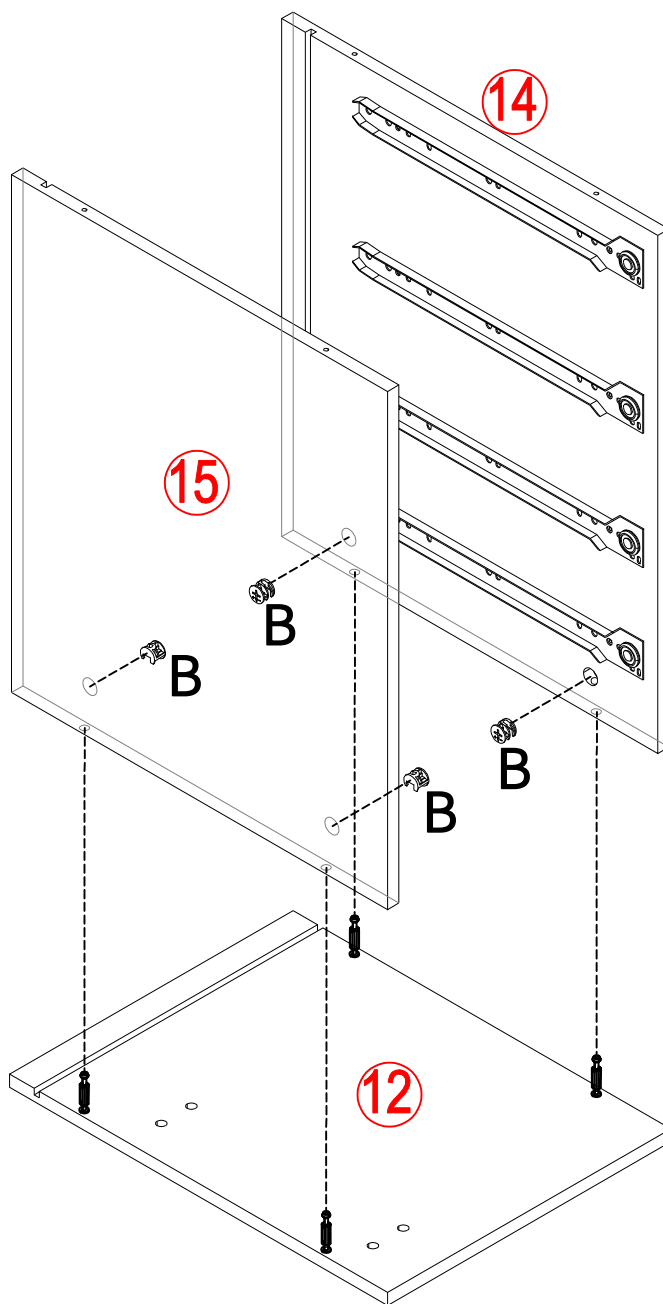
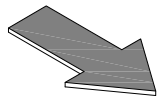
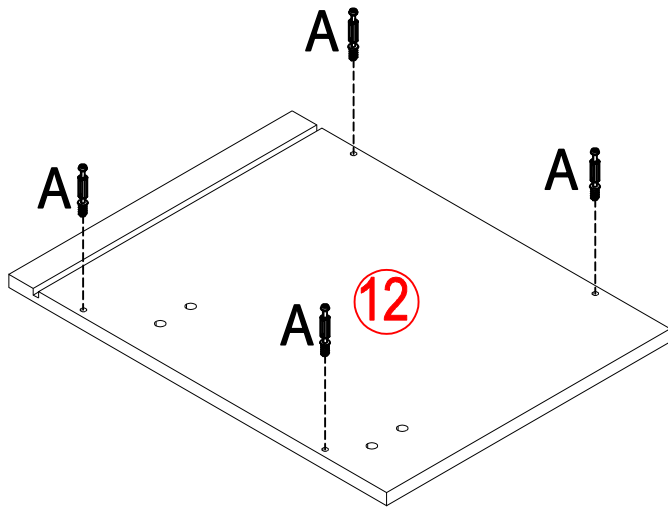
A M5x42

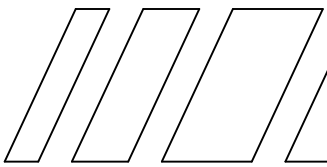
B Ø15x10



4 PCS

4 PCS



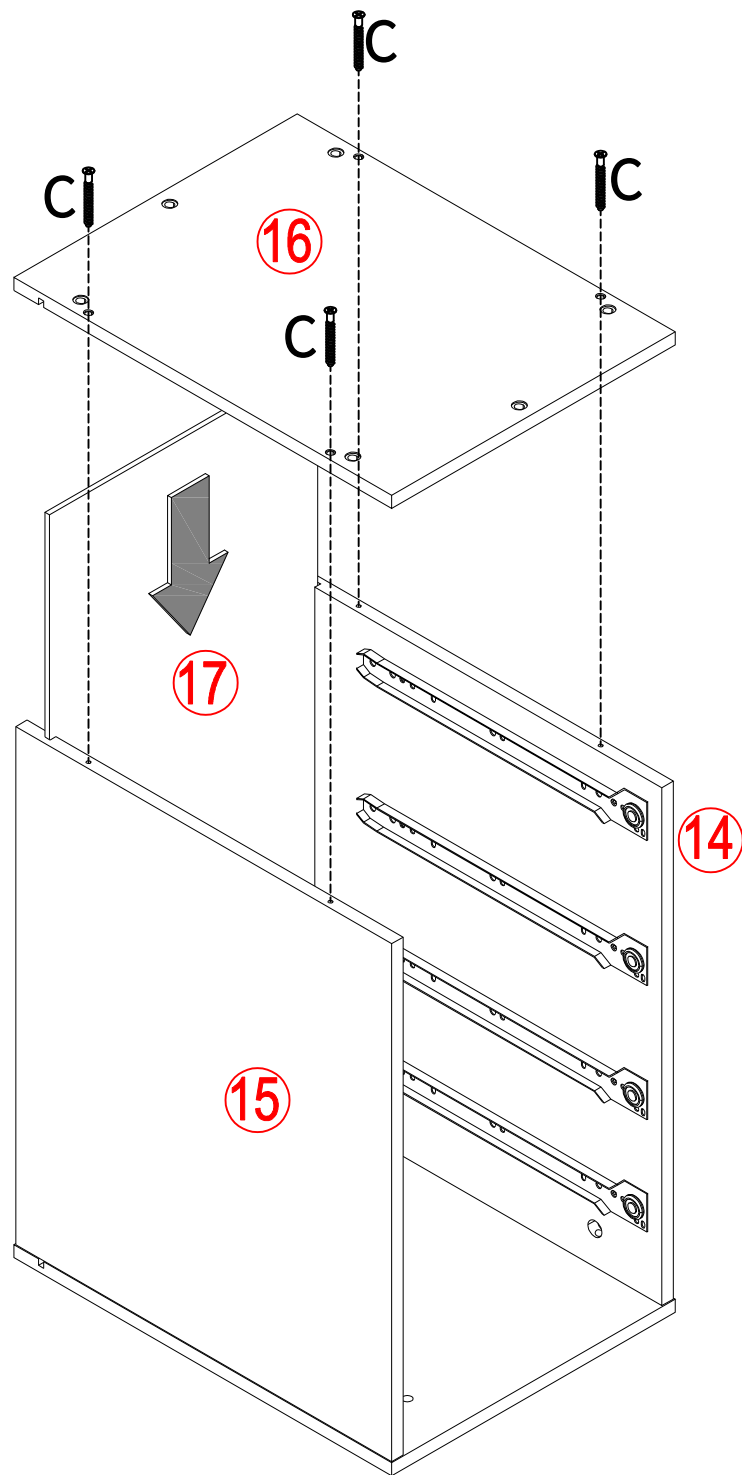


4

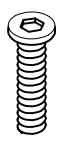
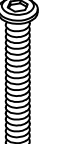
C M5x40

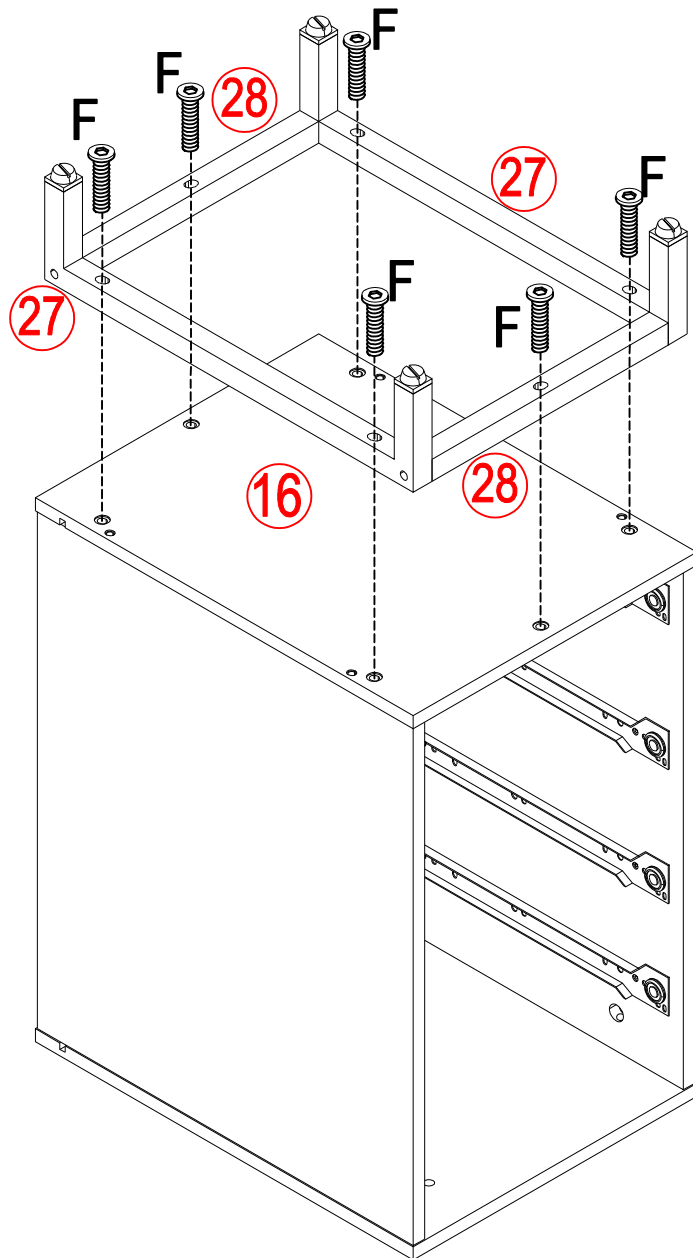
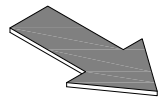
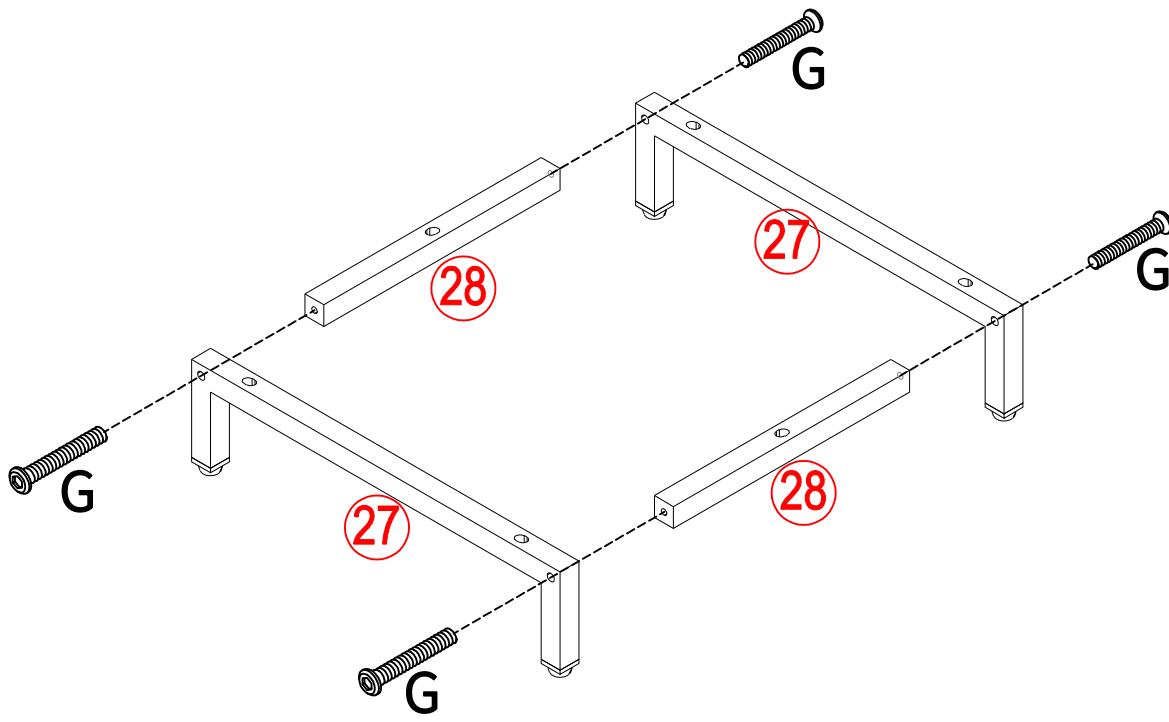


4 PCS



5

F M6x28  6 PCS	G M6x40  4 PCS
--	--



6

A M5x42

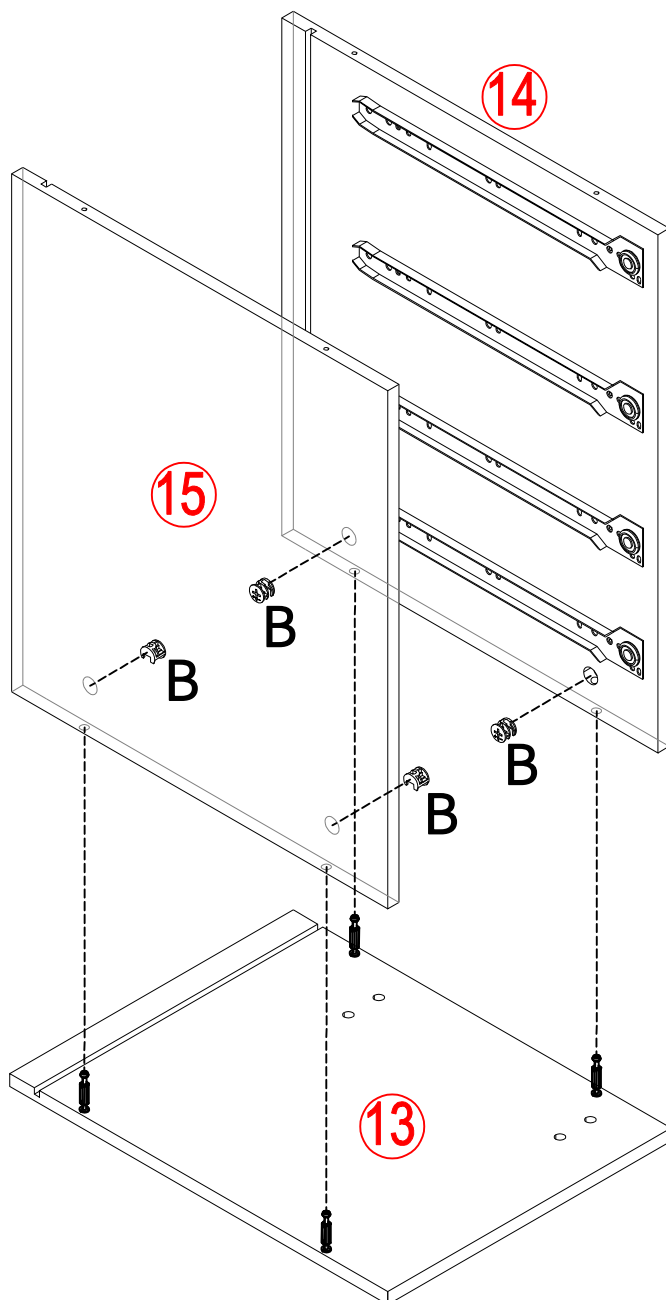
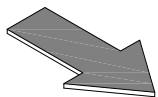
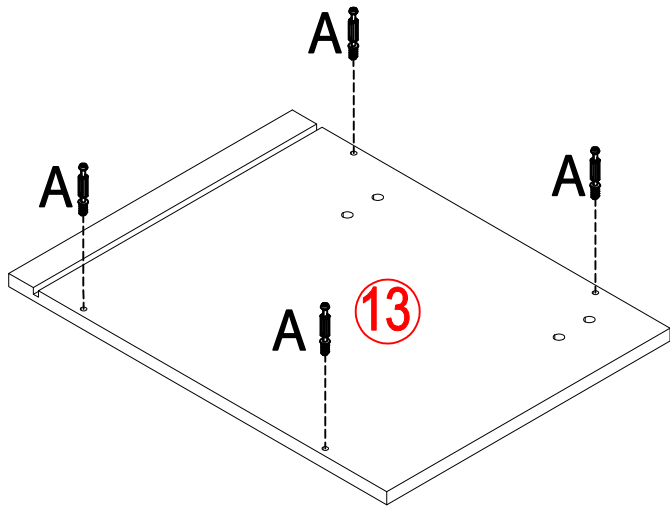
B Ø15x10

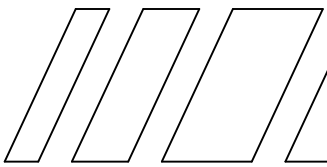


4 PCS



4 PCS



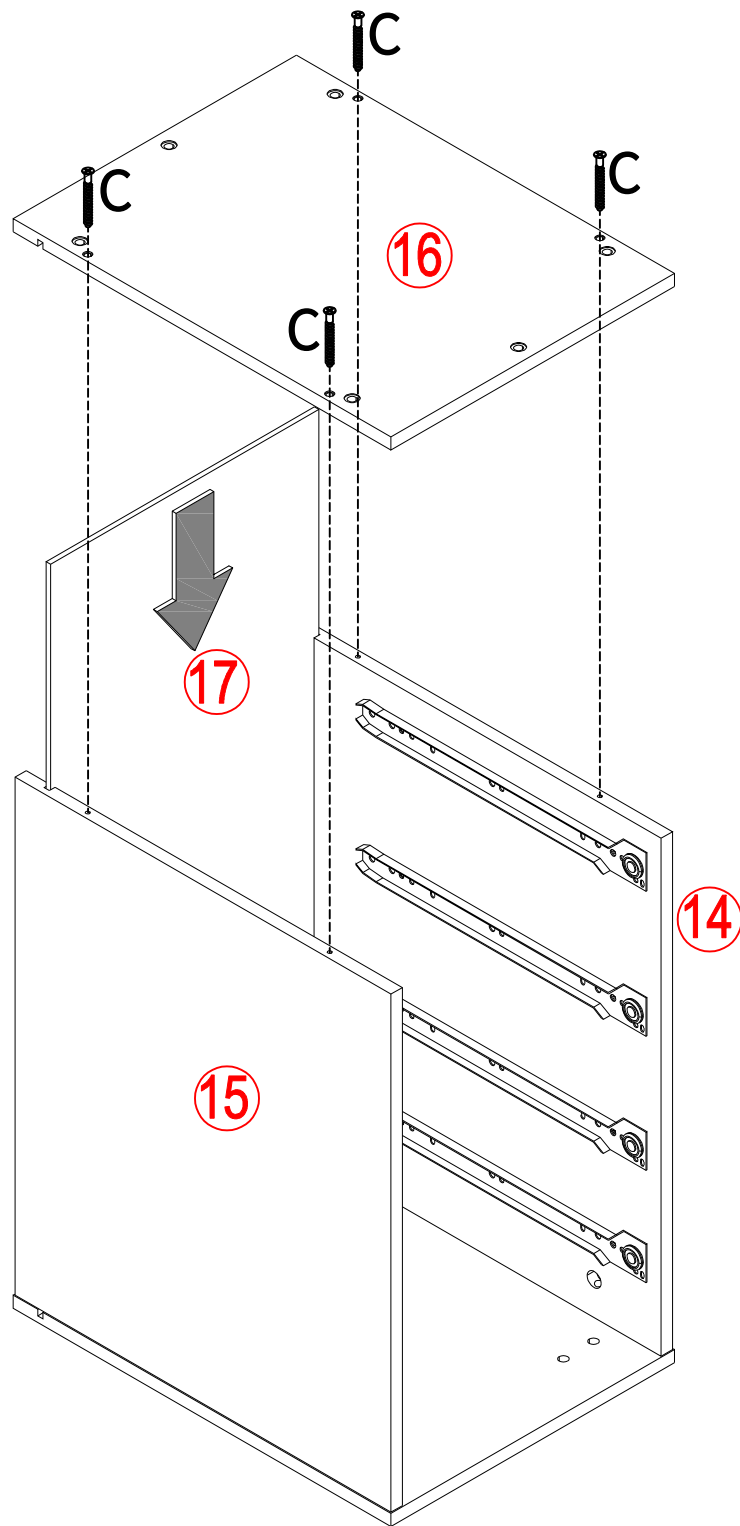


7

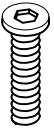
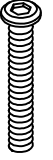
C M5x40

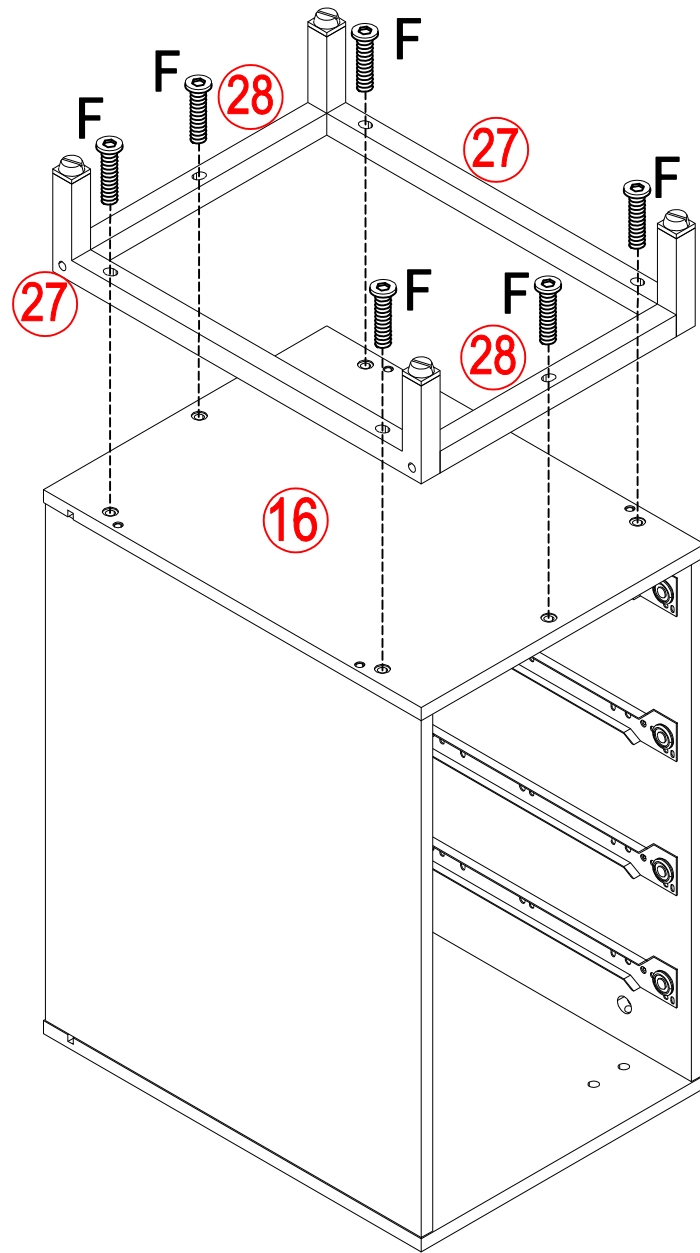
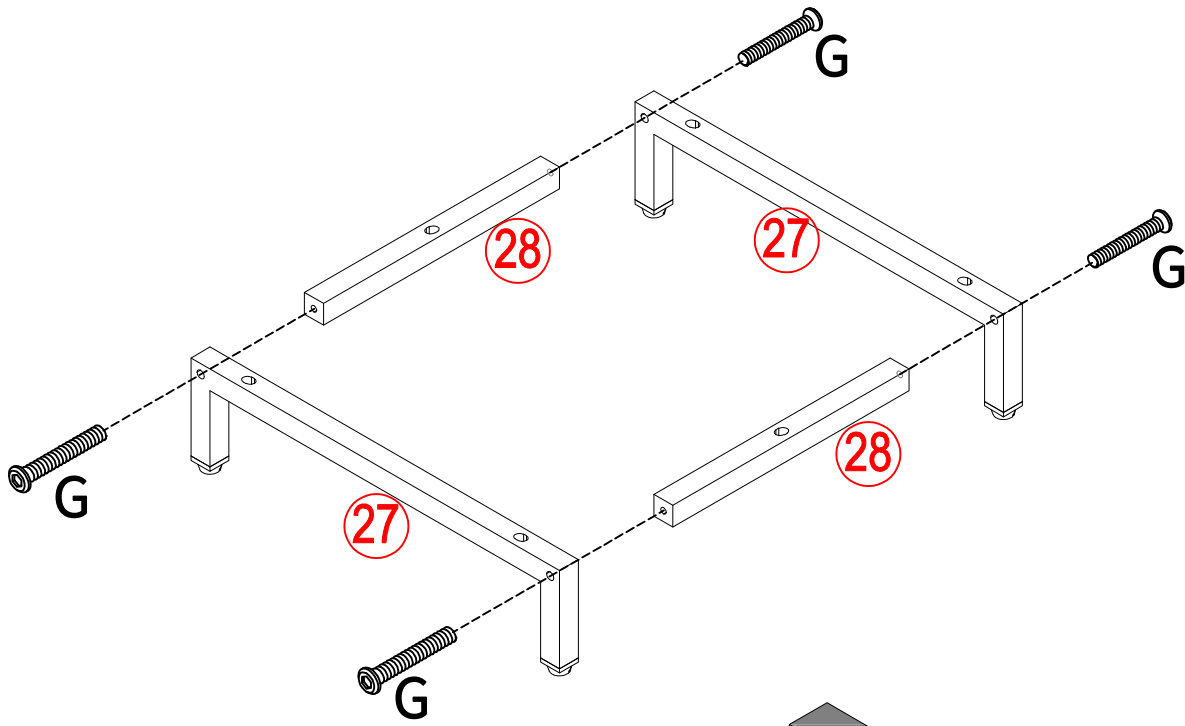


4 PCS

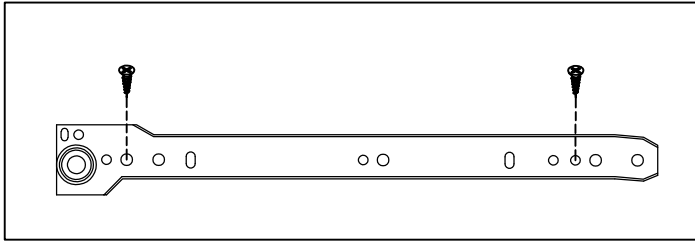


8

F M6x28  6 PCS	G M6x40  4 PCS
--	--



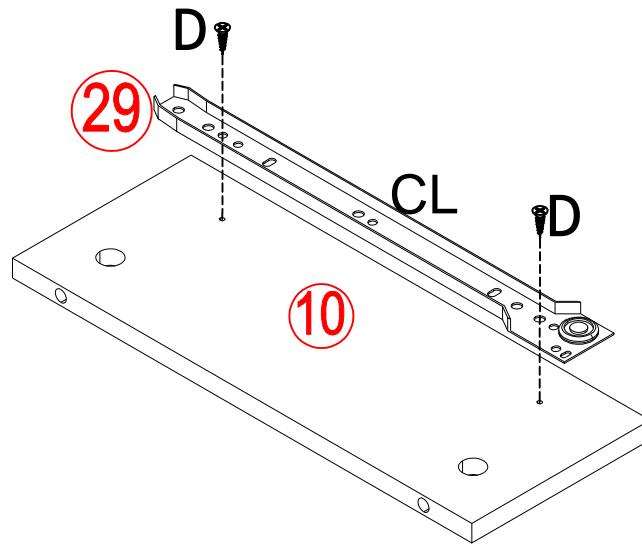
9



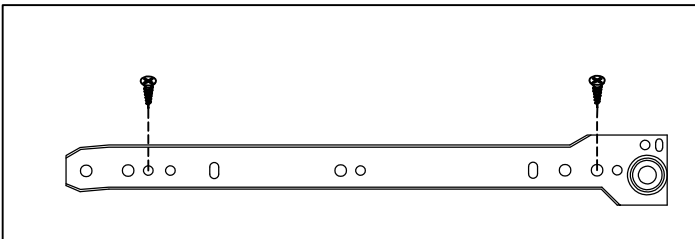
D M3.5x12



2 PCS



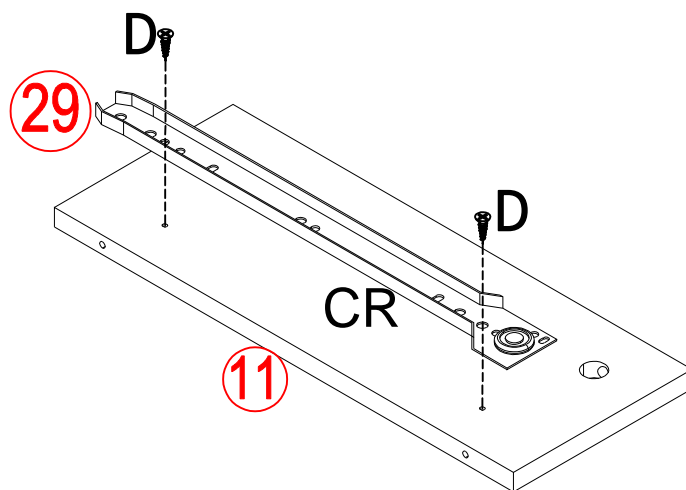
10



D M3.5x12



2 PCS



11

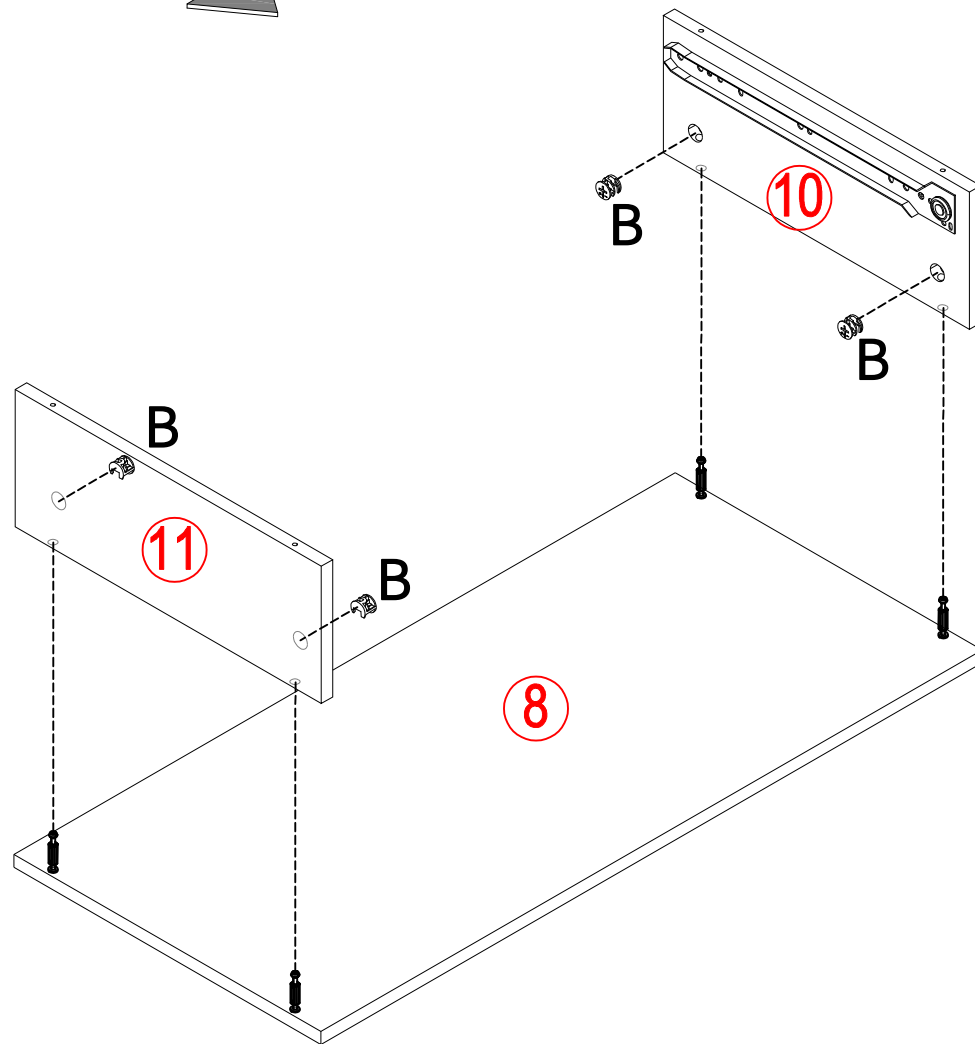
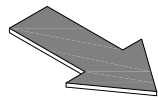
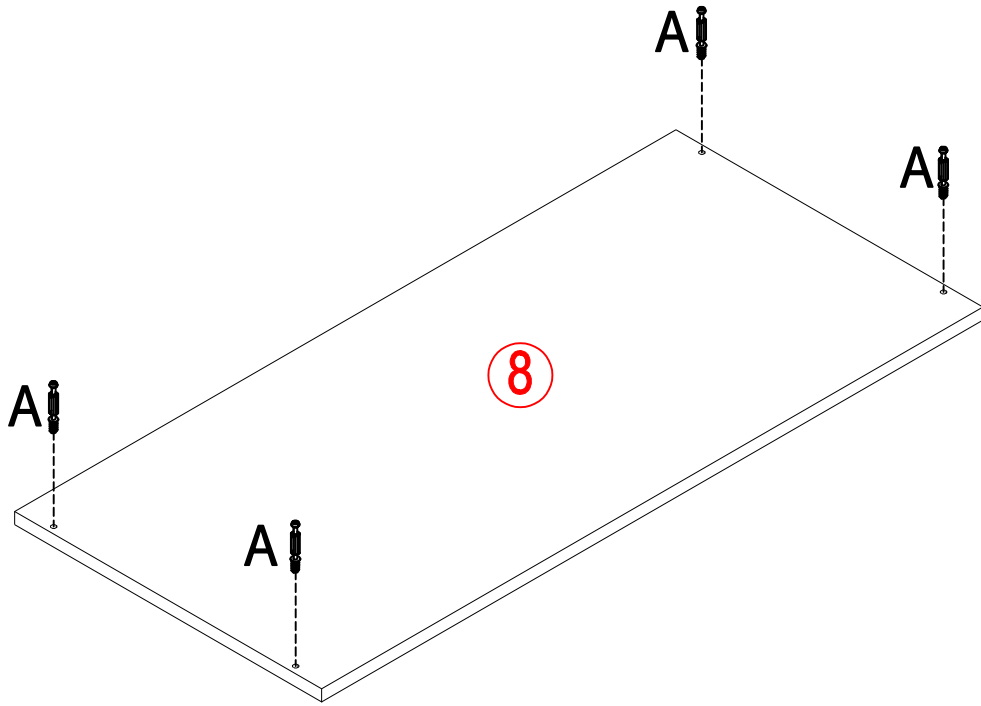
A M5x42

B Ø15x10

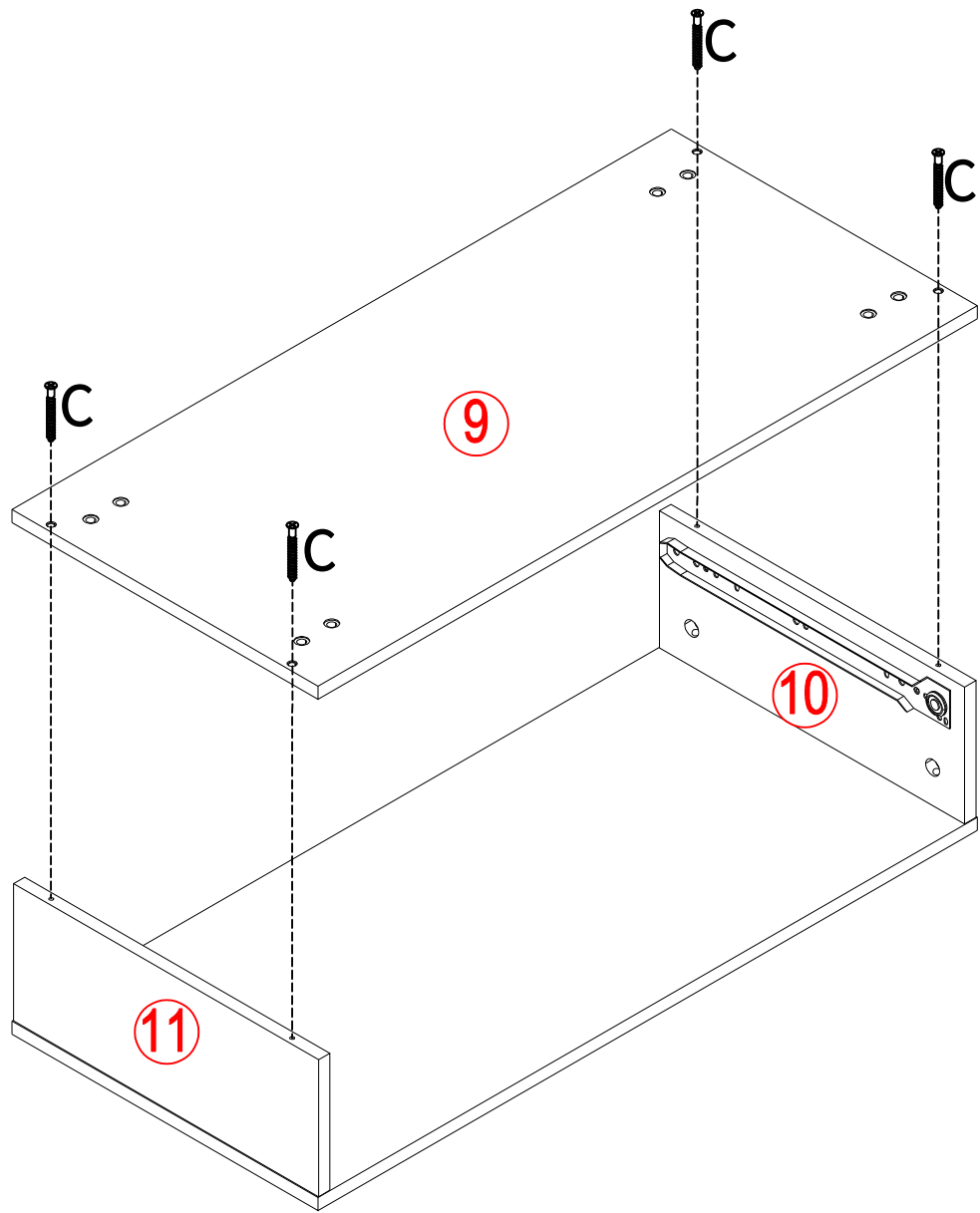


4 PCS

4 PCS



12

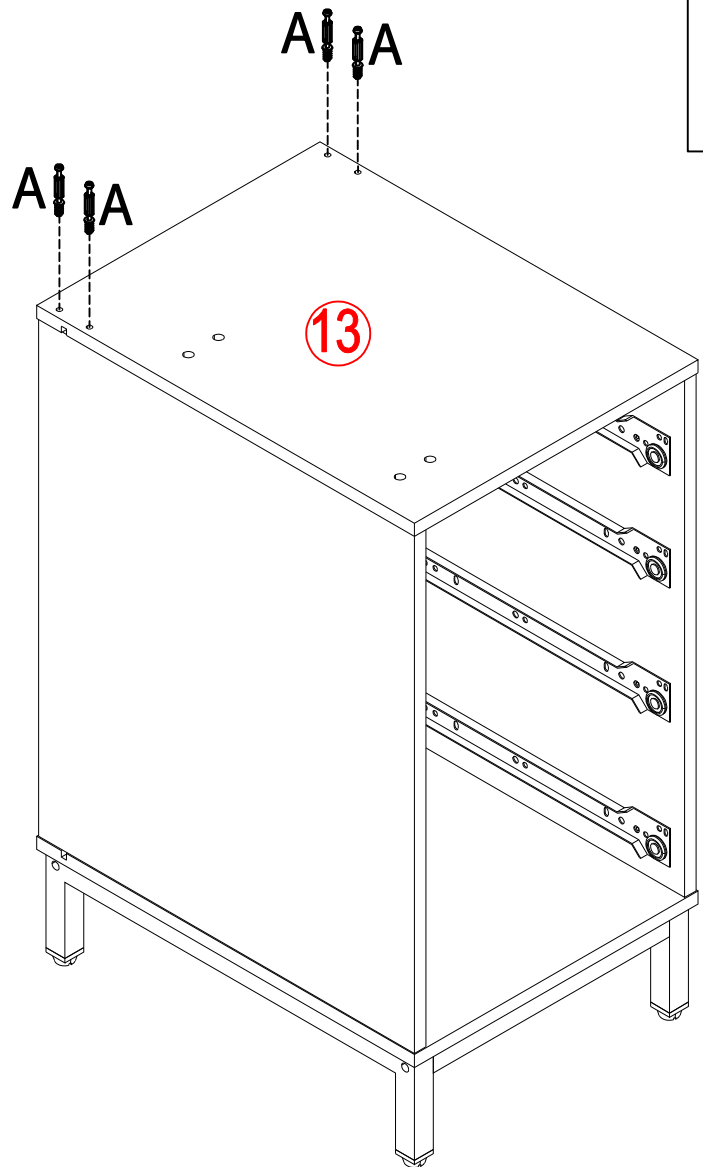
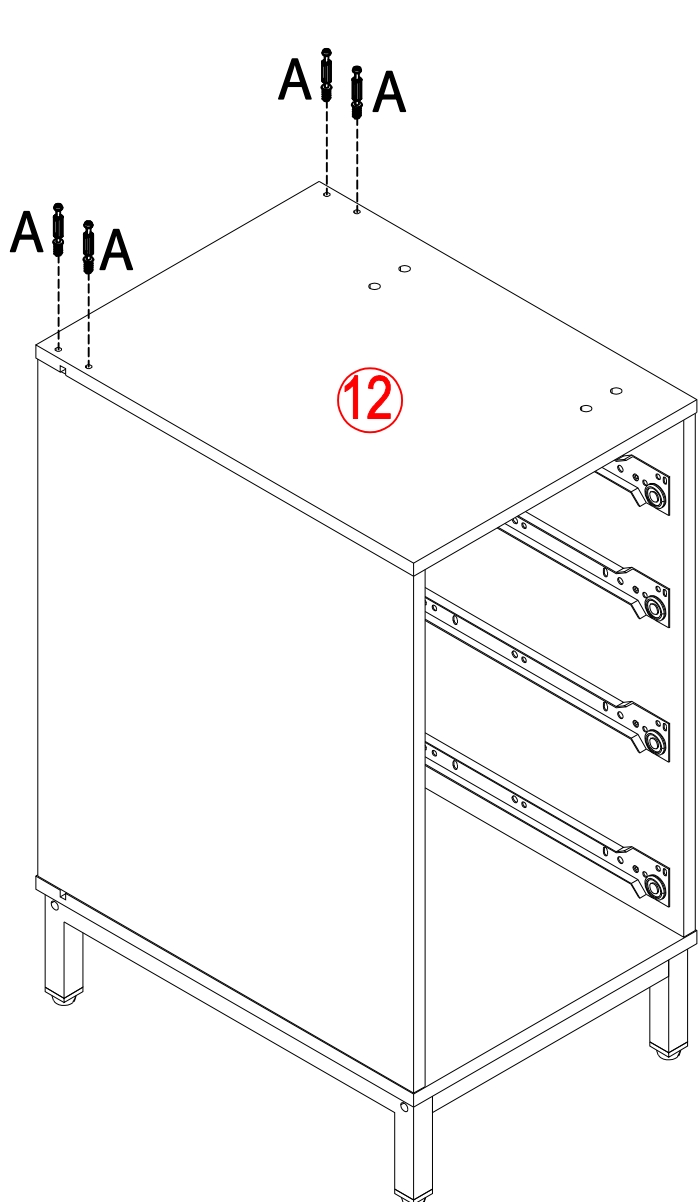


C M5x40



4 PCS

13



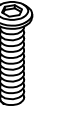
A M5x42



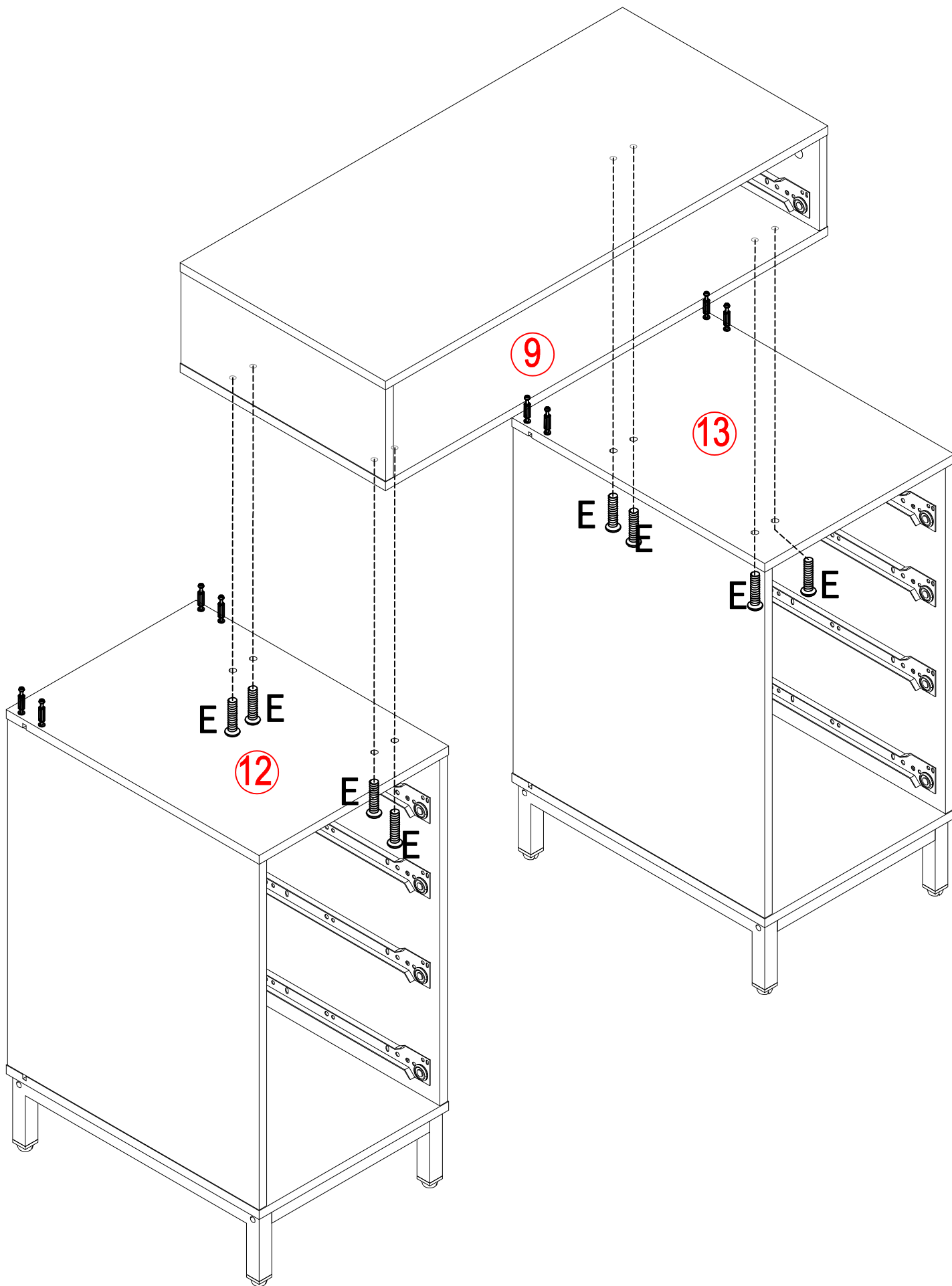
8 PCS

14

E M6x20



8 PCS



15

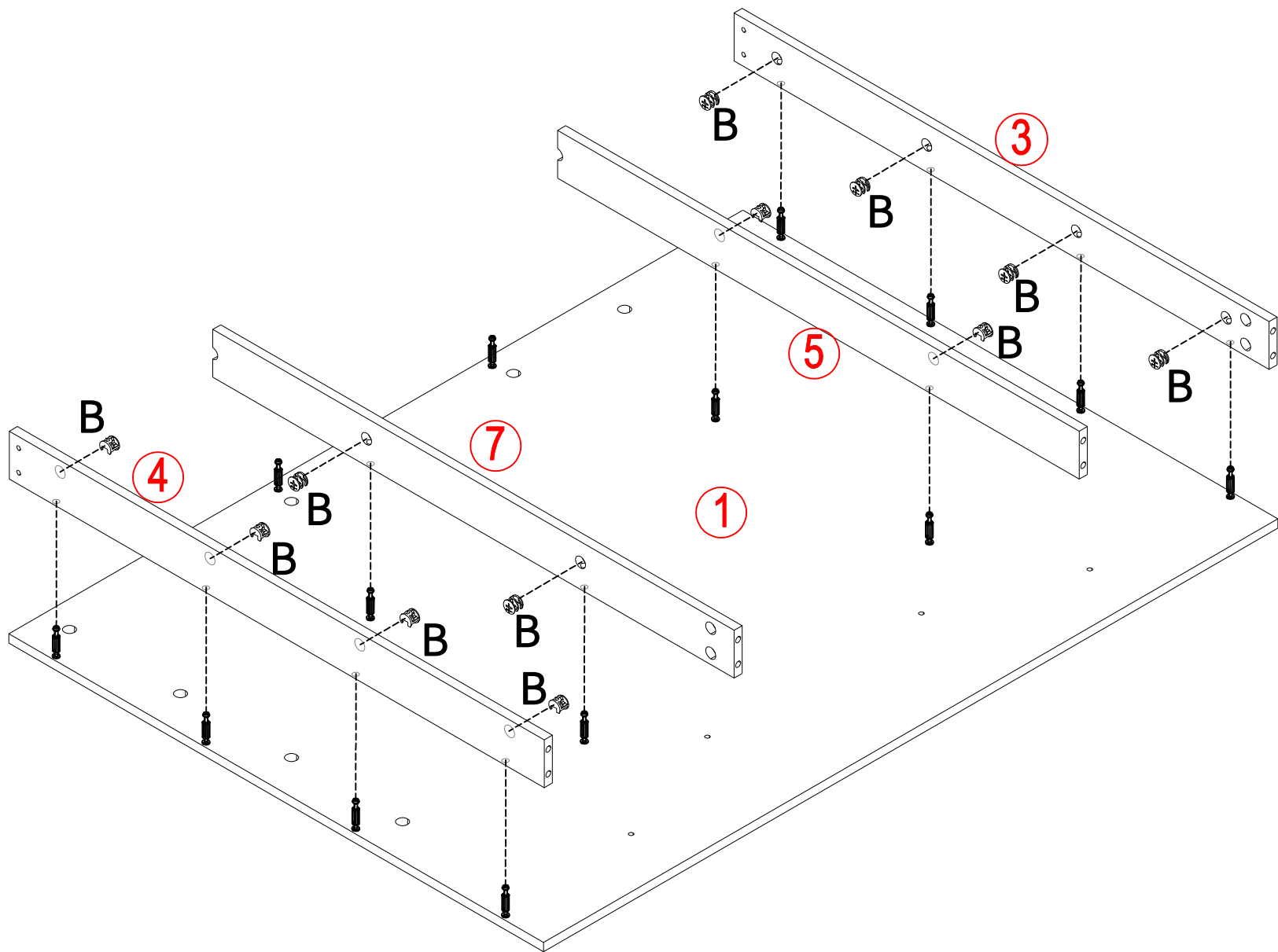
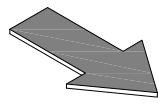
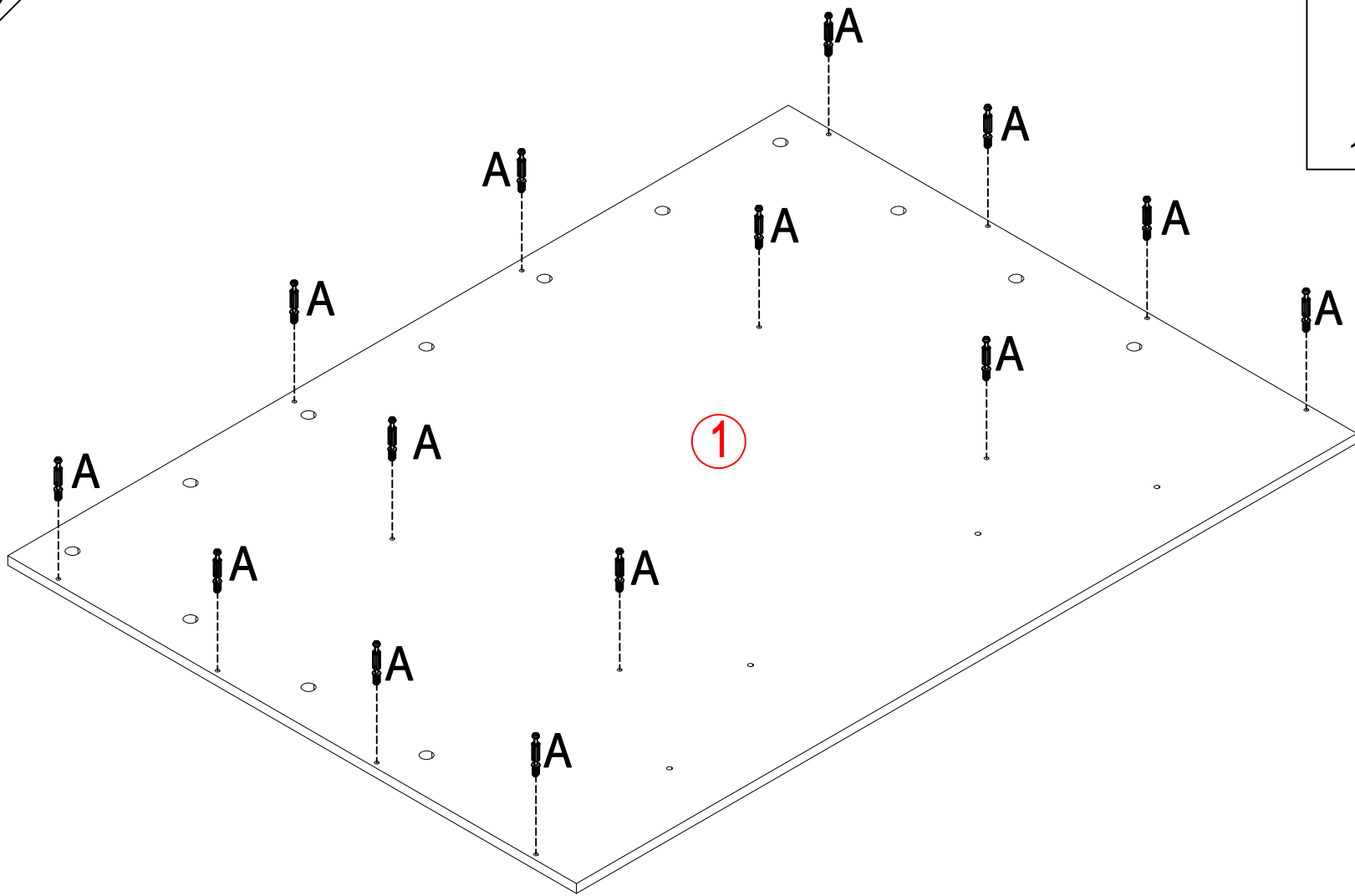
A M5x42

B Ø15x10





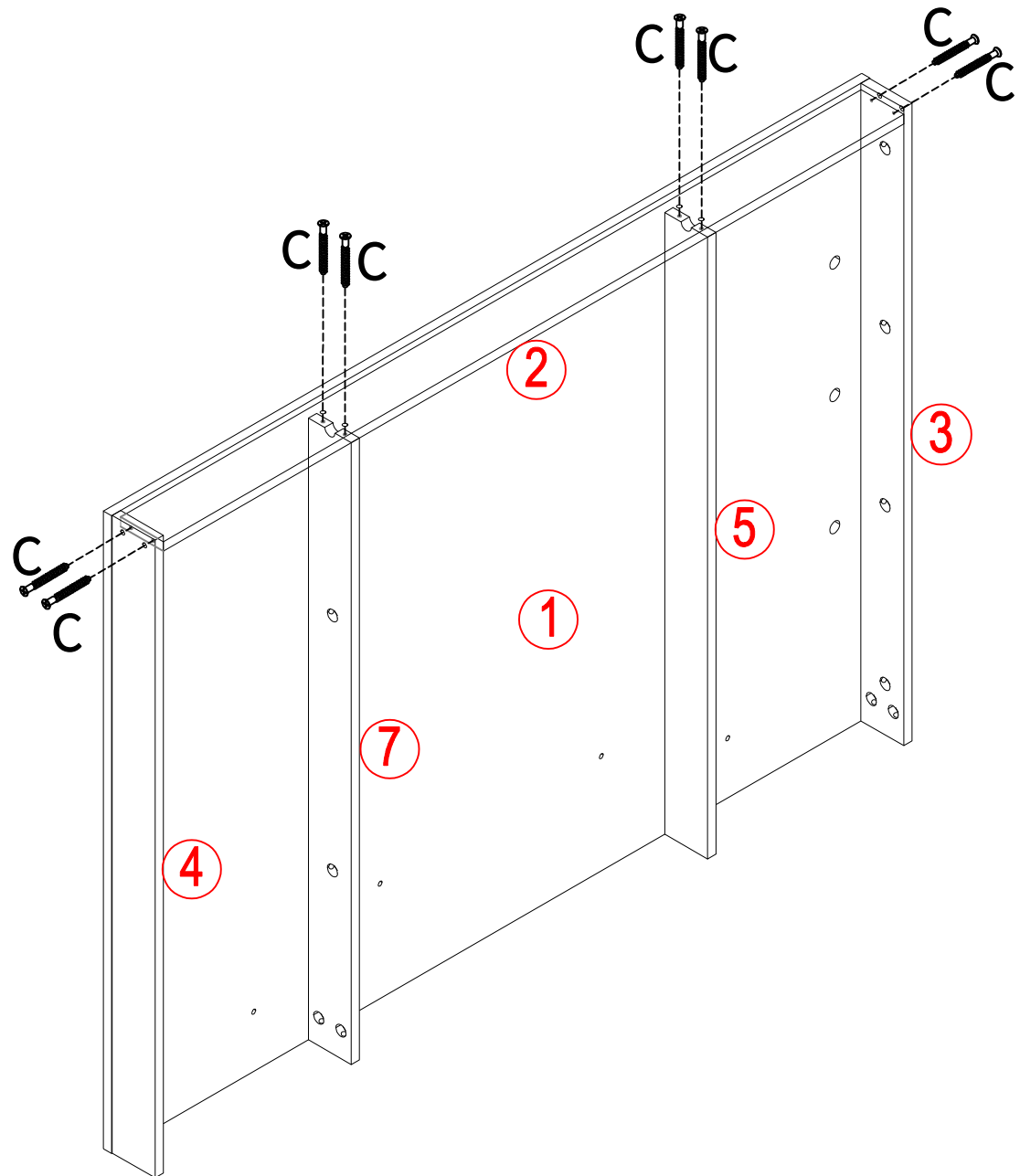
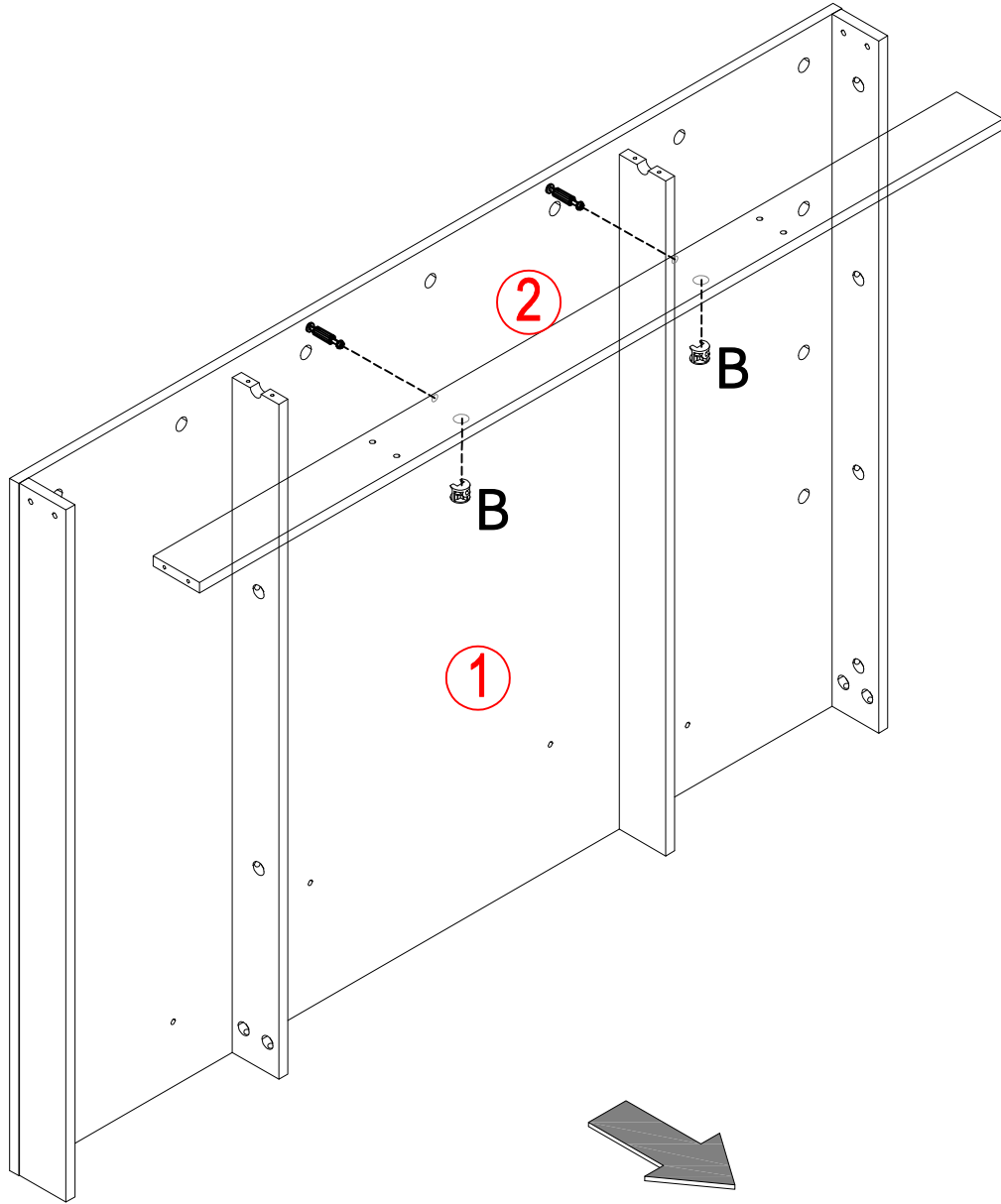
14 PCS

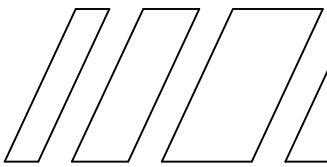
12 PCS



16

B Ø15x10	C M5x40
	
2 PCS	8 PCS



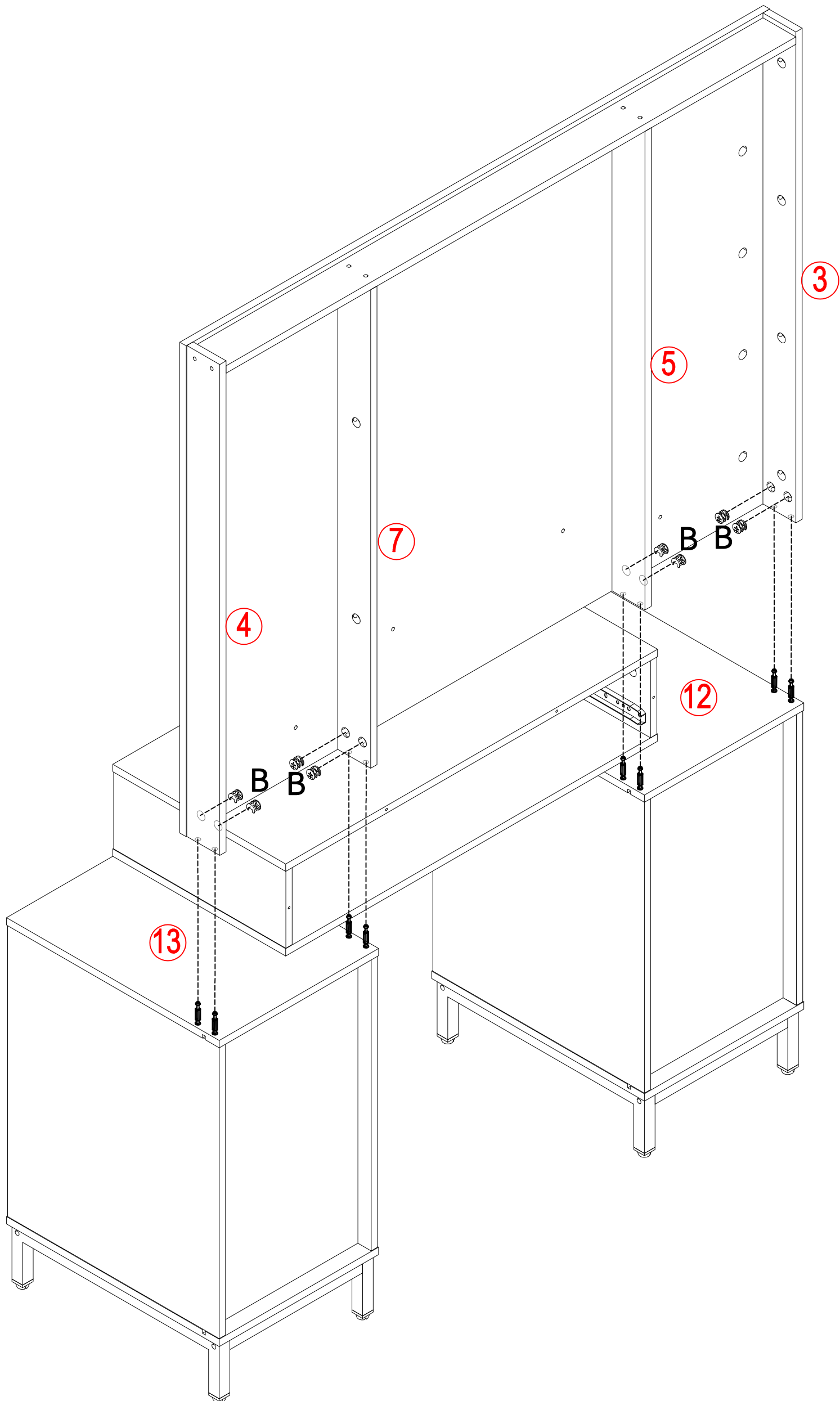


17




B Ø15x10

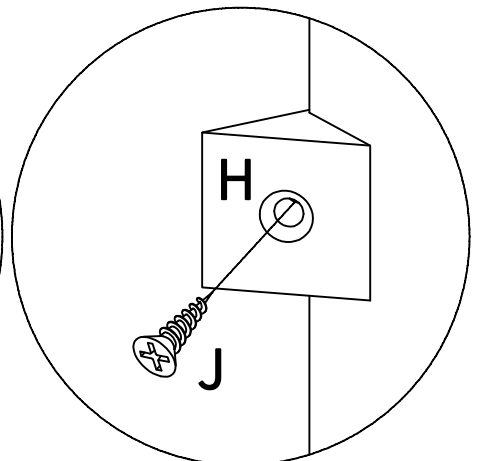
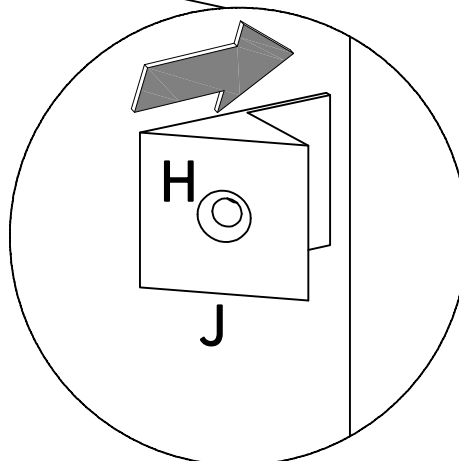
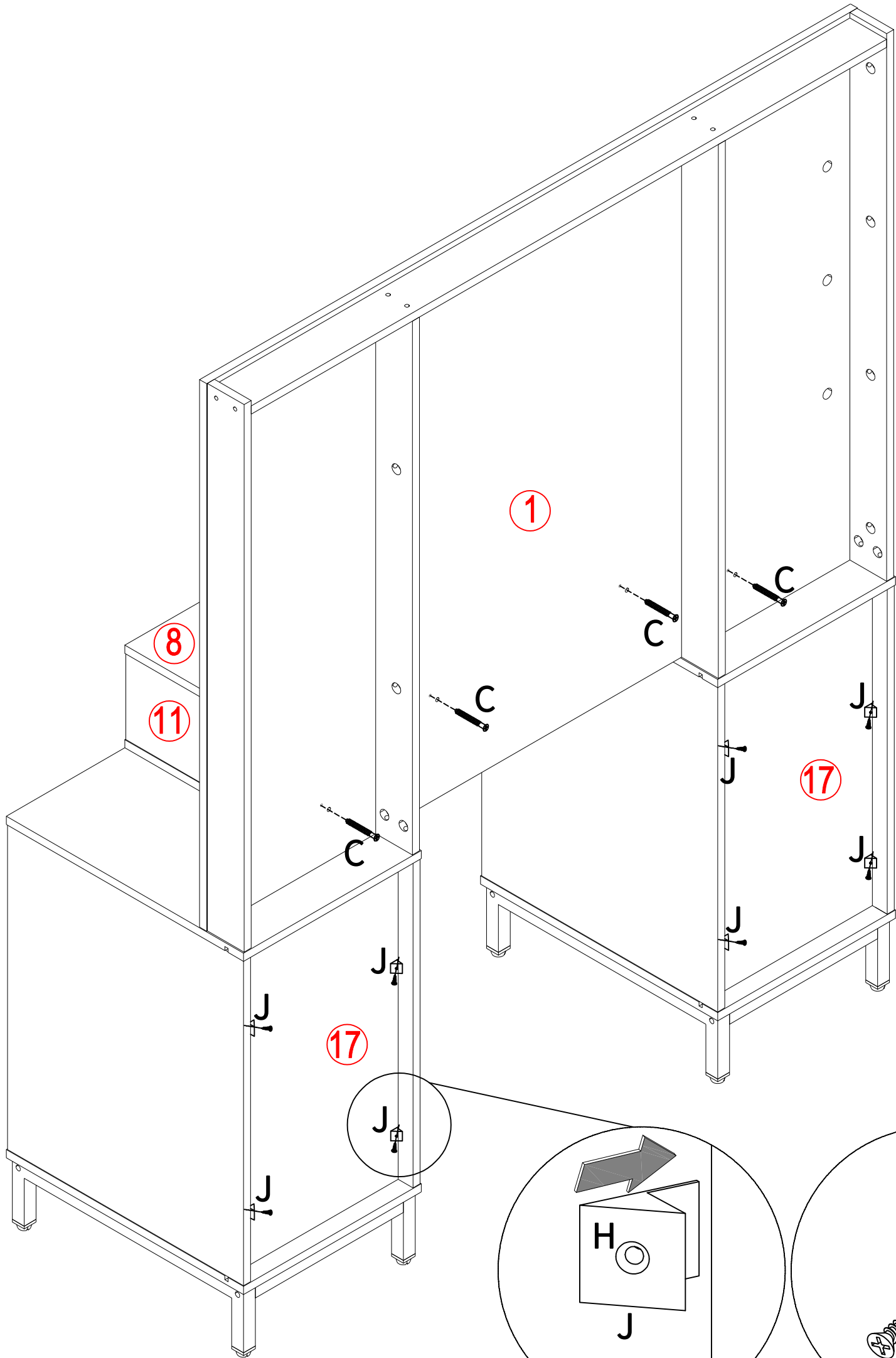


8 PCS



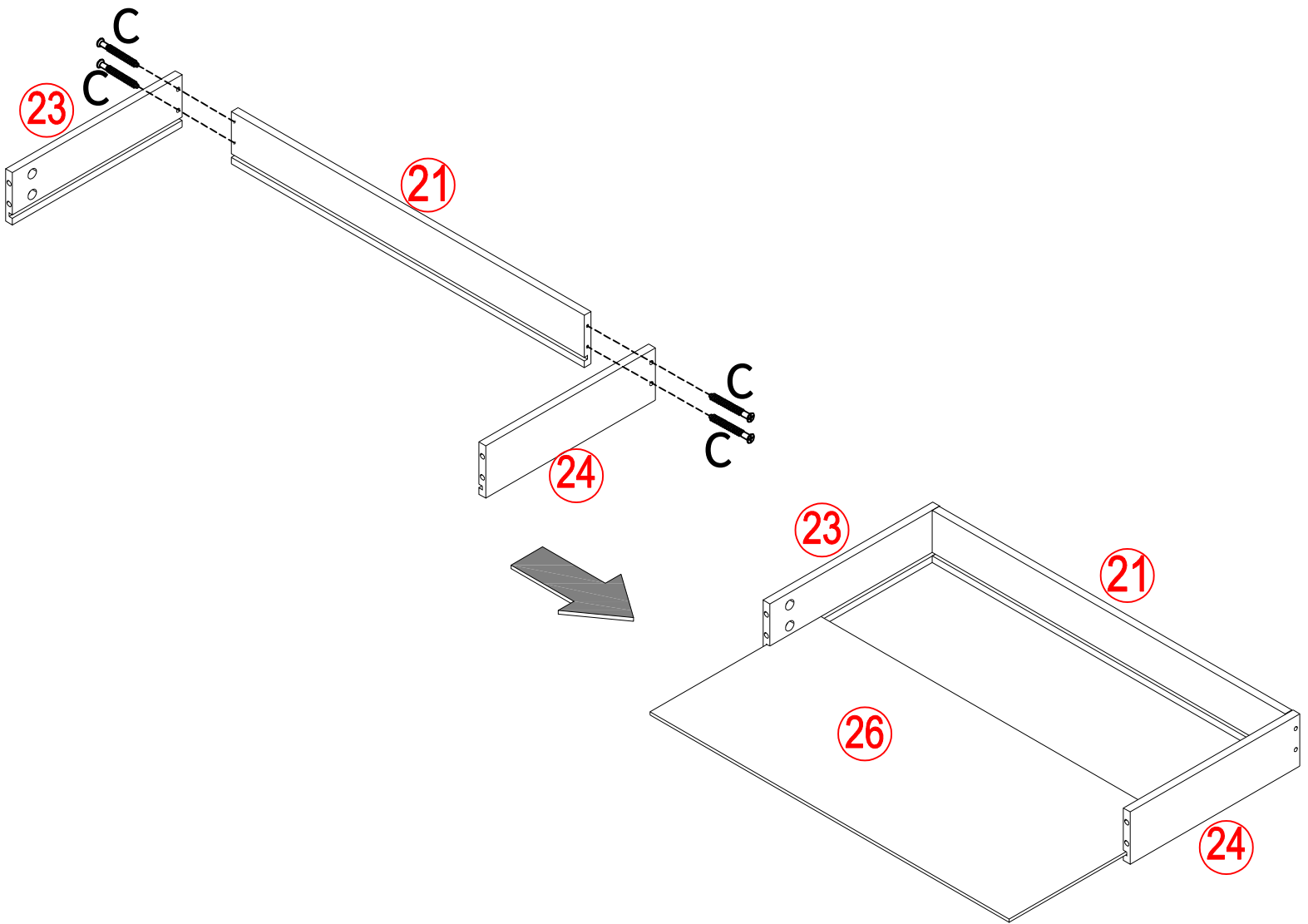
18

C M5x40  4 PCS	H M3.5x14  8 PCS	J  8 PCS
--	--	--



19

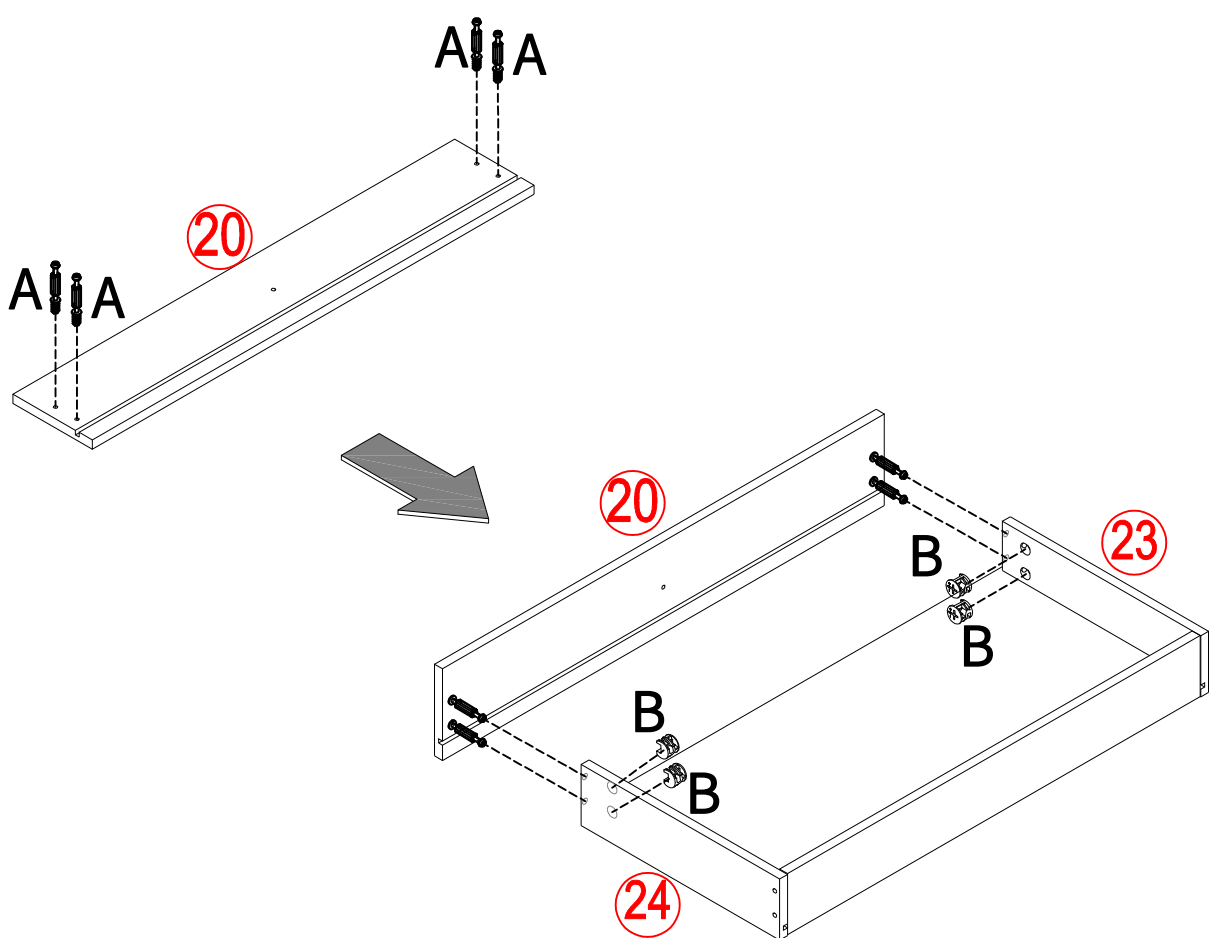
C M5x40
4 PCS



20

A M5x42
4 PCS

B Ø15x10
4 PCS



21

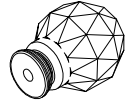
D M3.5x12

L

M M4X16



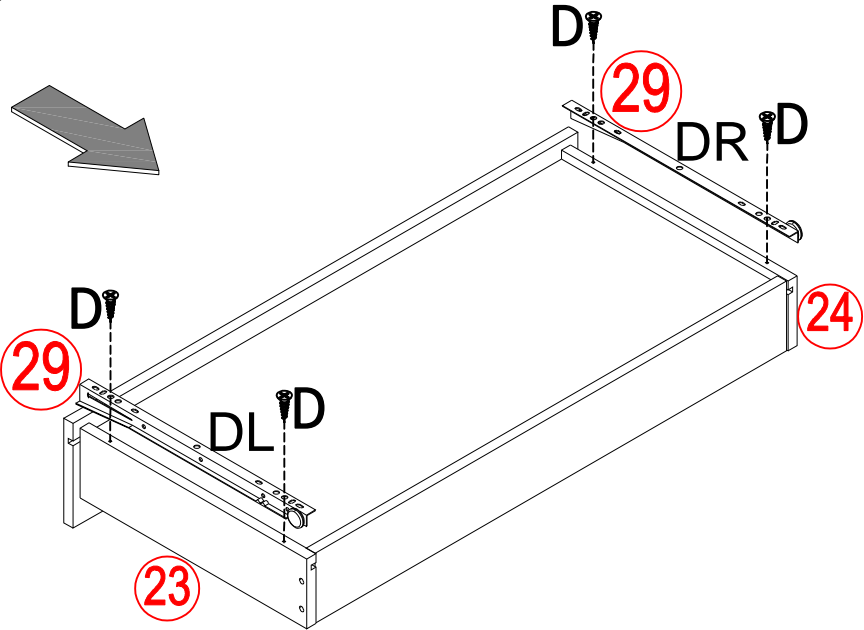
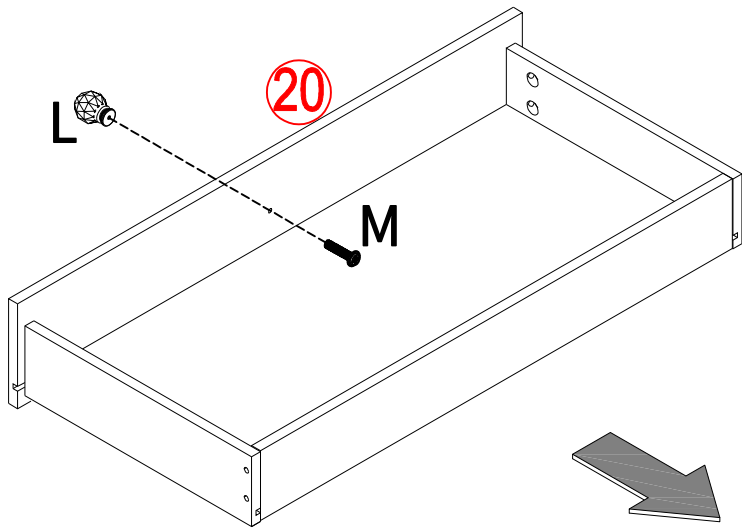
4 PCS



1 PCS



1 PCS

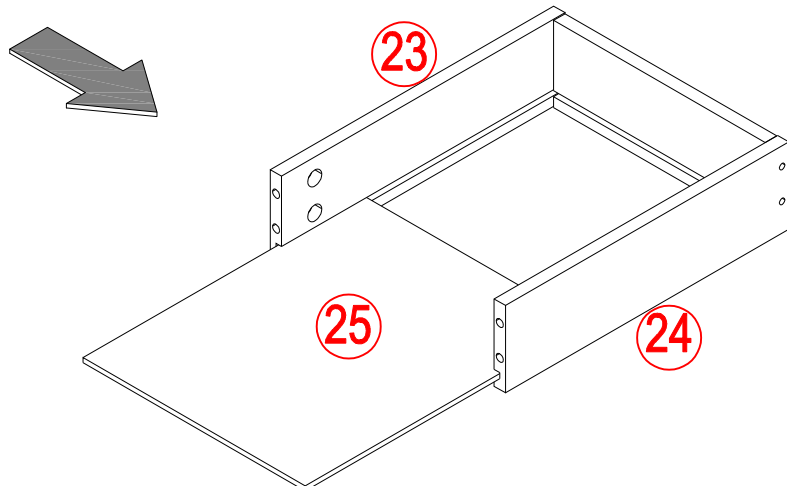
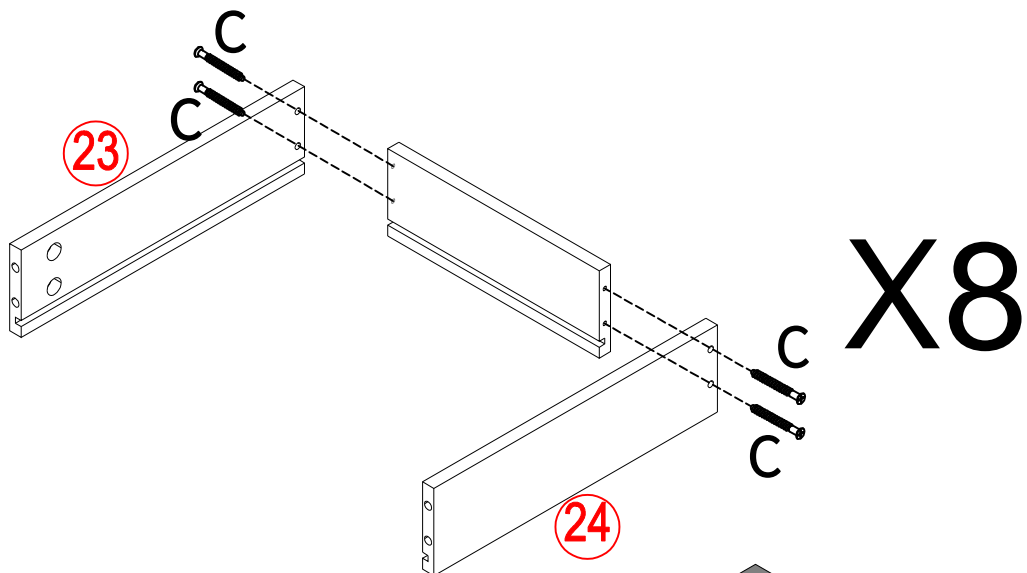


22

C M5x40



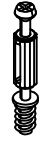
32 PCS



23

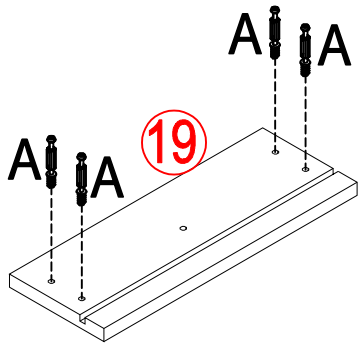
A M5x42

B Ø15x10

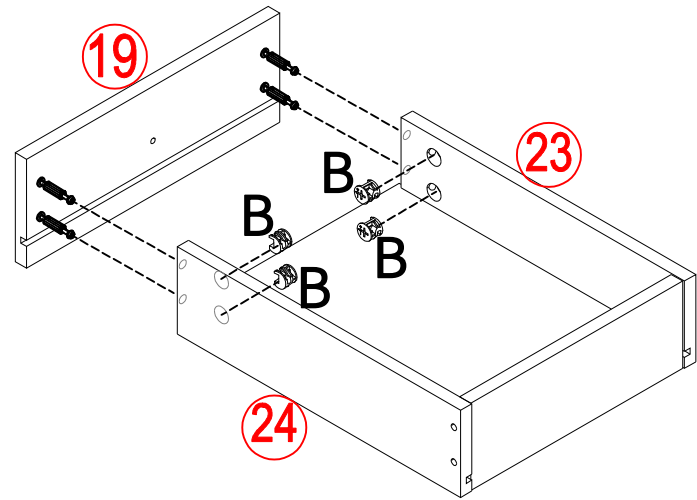
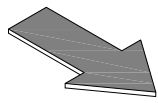


16 PCS

16 PCS



X4



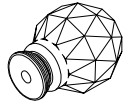
X4

24

D M3.5x12

L

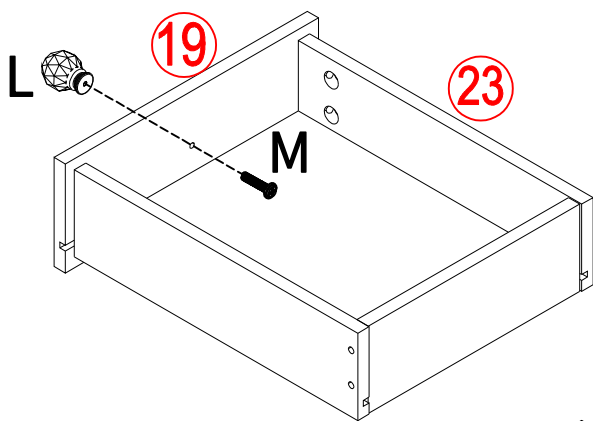
M M4X16



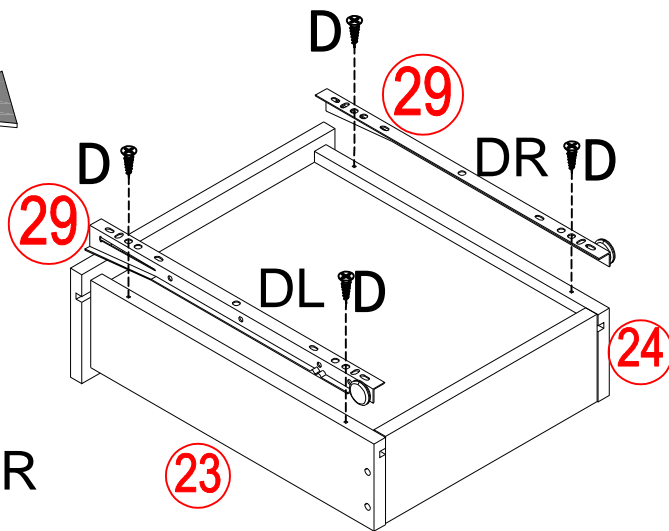
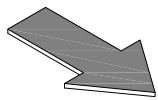
16 PCS

4 PCS

4 PCS

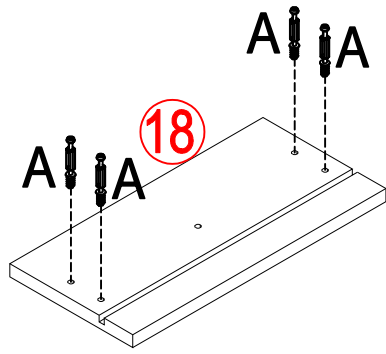


X4



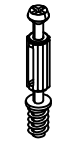
X4

25



X4

A M5x42

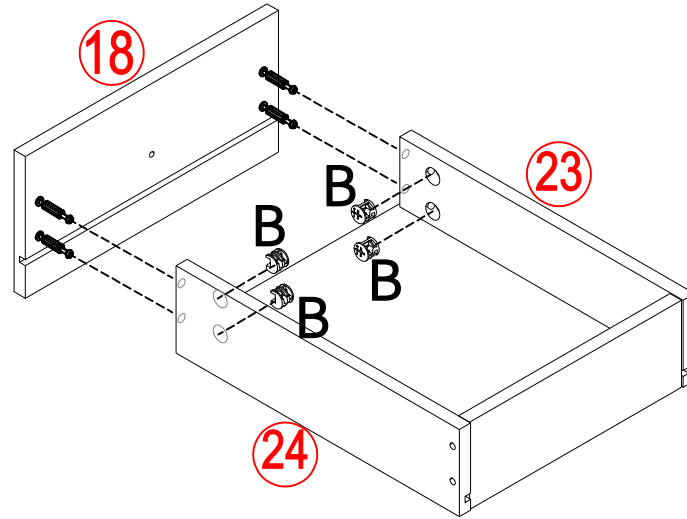
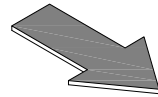


16 PCS

B Ø15x10

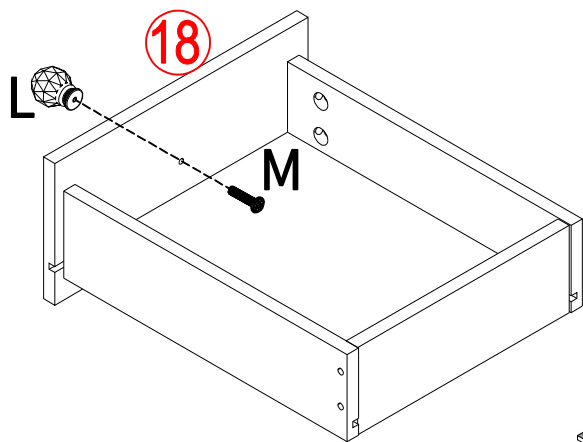


16 PCS



X4

26



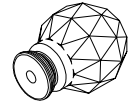
X4

D M3.5x12



16 PCS

L

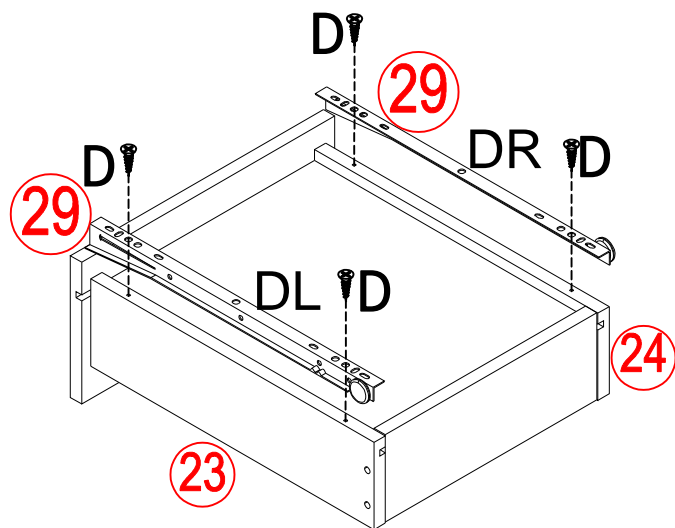
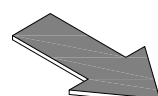


4 PCS

M M4X16

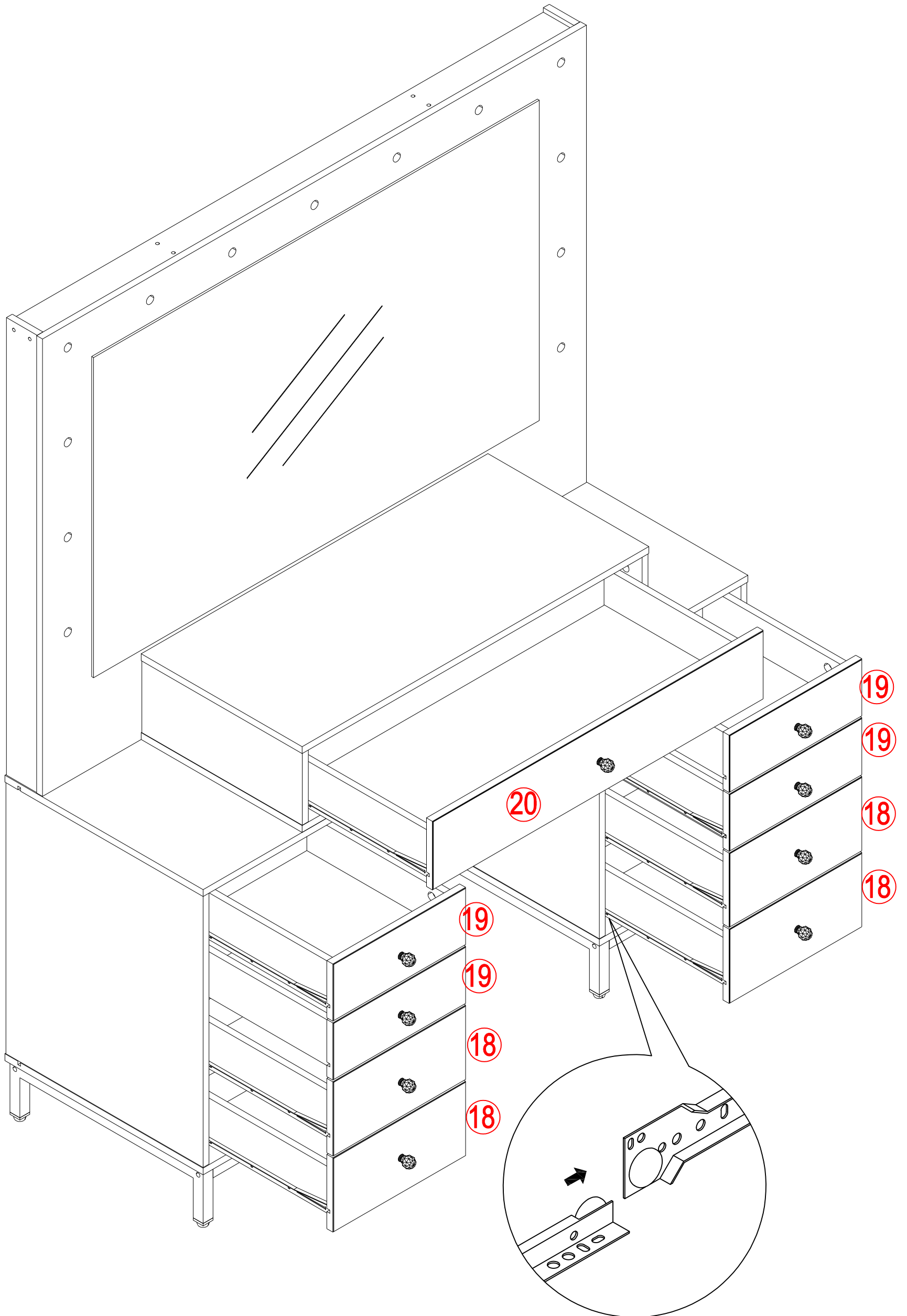


4 PCS



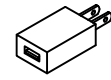
X4

27



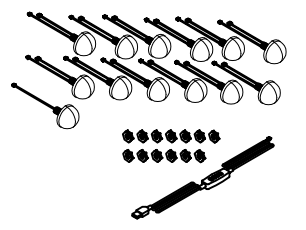
28

N

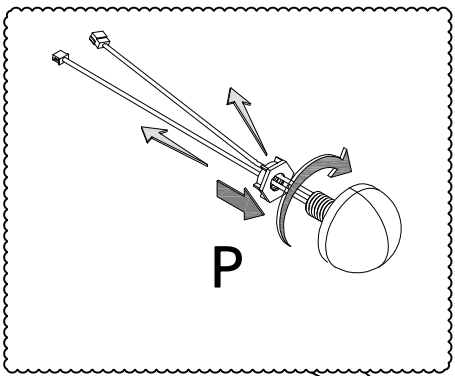
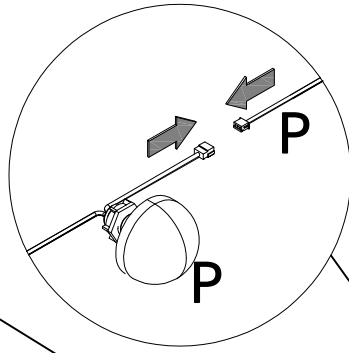
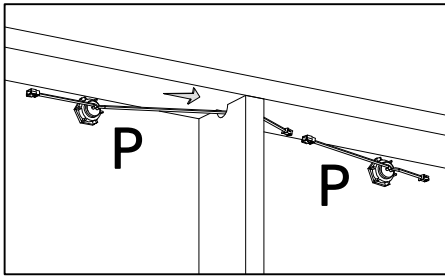


1 PCS

P



1 SETS



1

