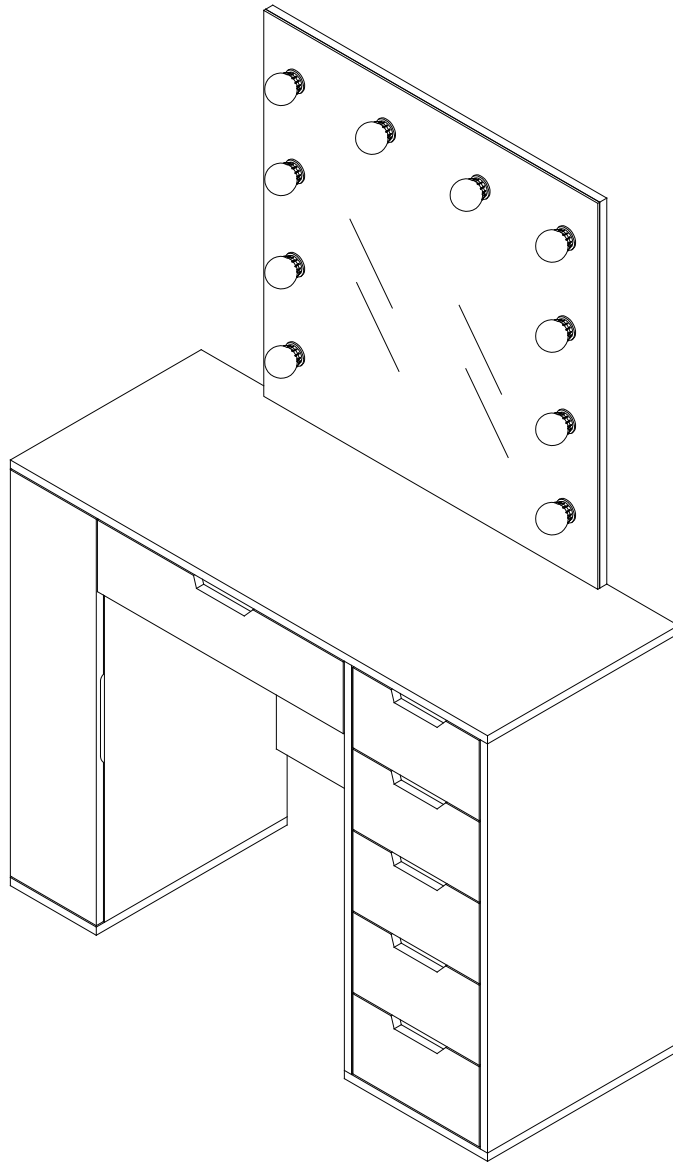
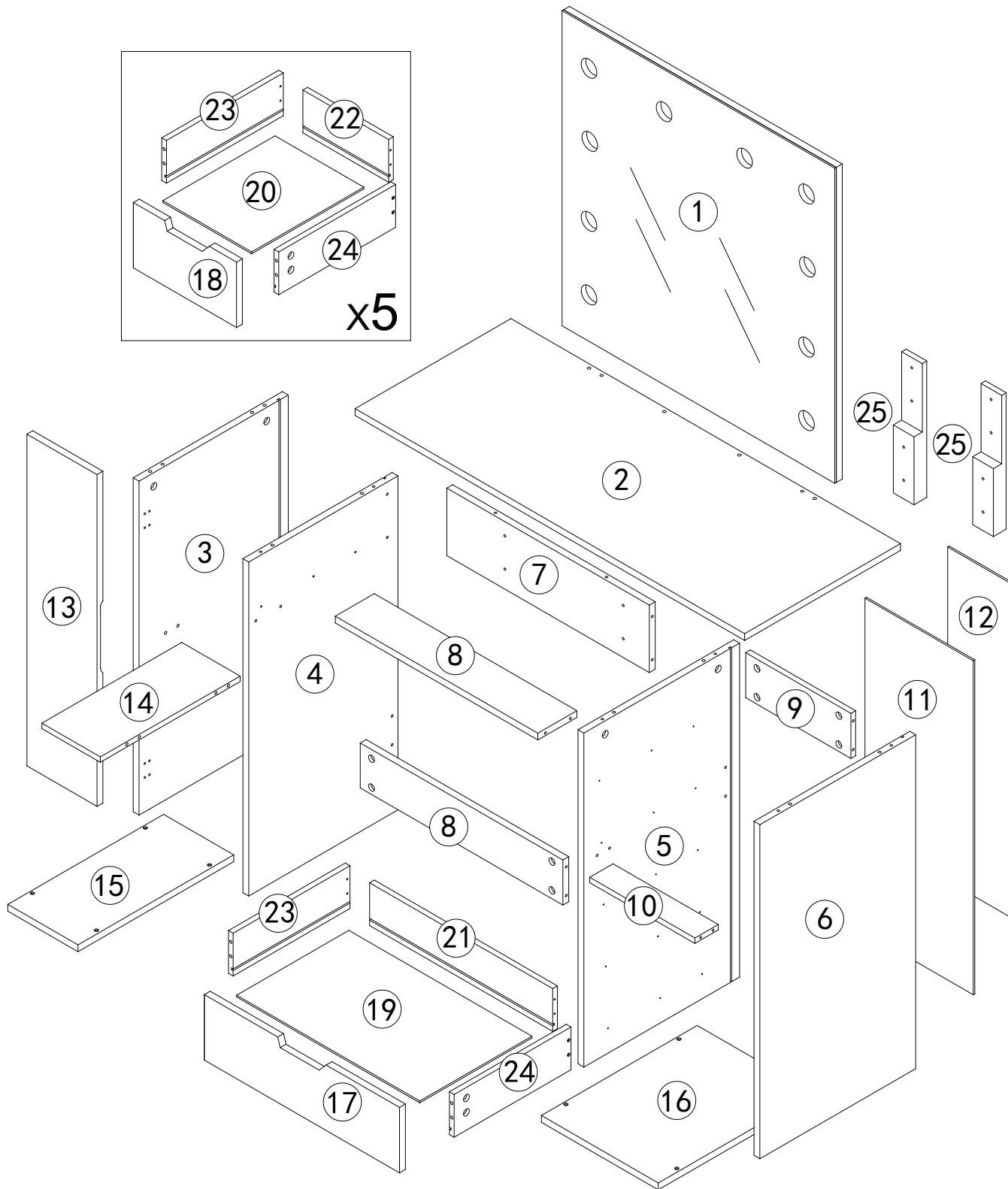
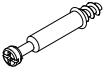

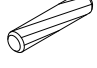


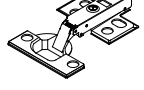



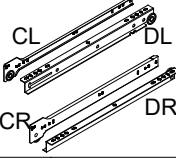


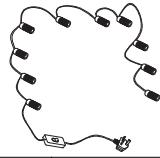




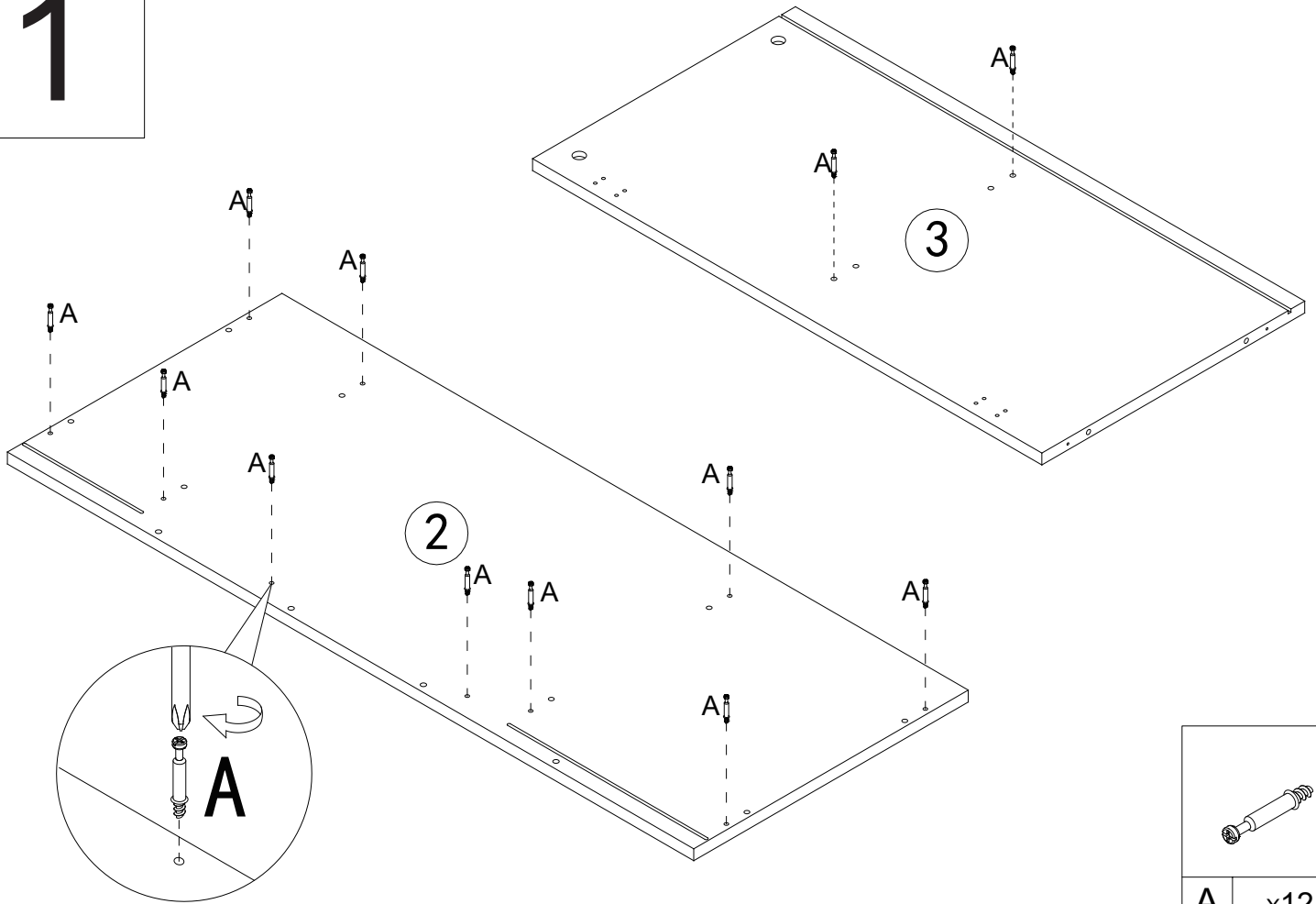
Assembly Instruction





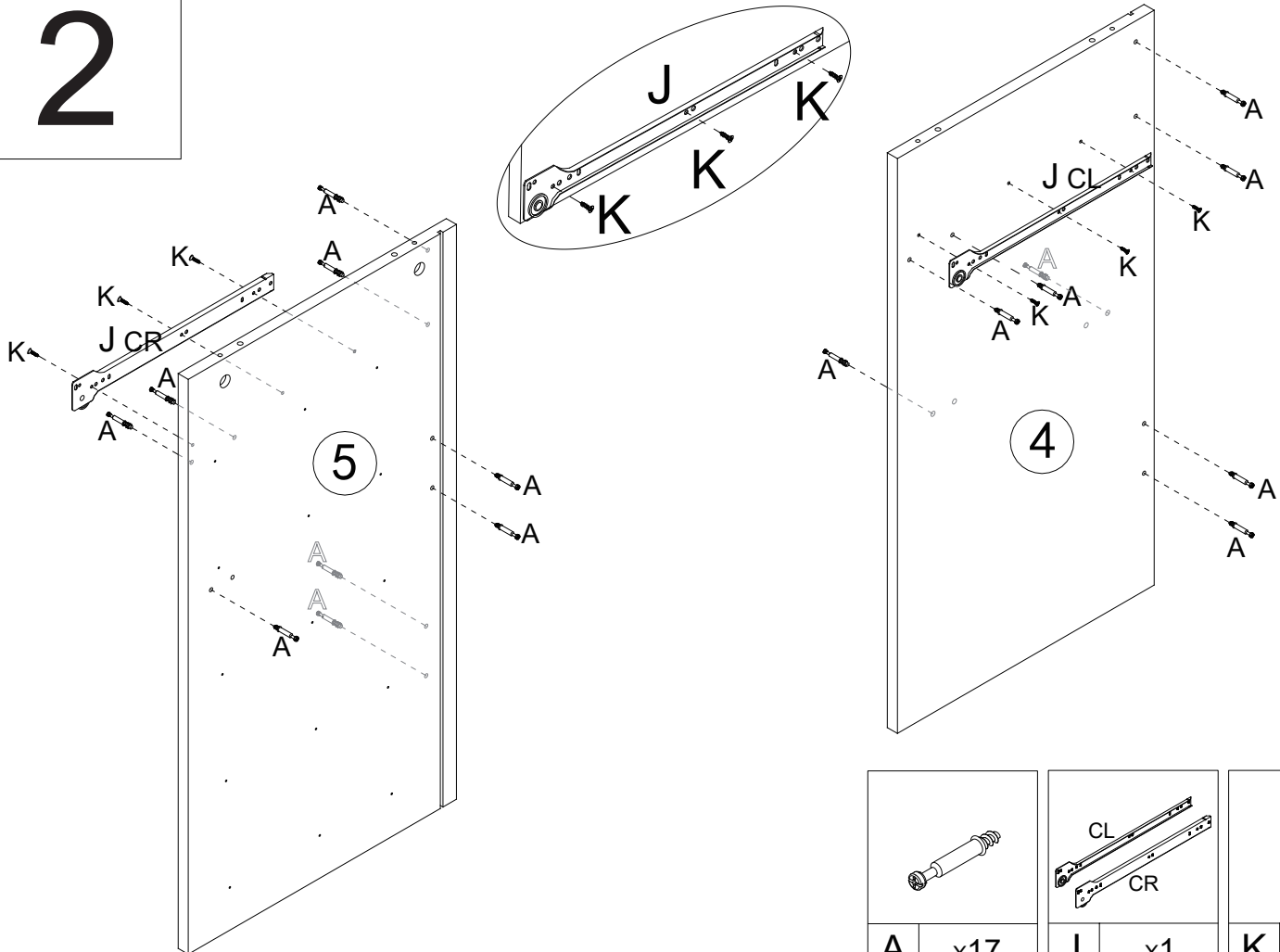
							
A x56	B x56	C x24 Ø6x30	D x36 M4x35	E x12 M4x14	F x2	G x4	H x4 M6x50
							
I x1	J x6 CL DL CR DR	K x72 M3x12	L x10	M x1	N x20	O x4 M4x25	

1



A	x12
---	-----

2

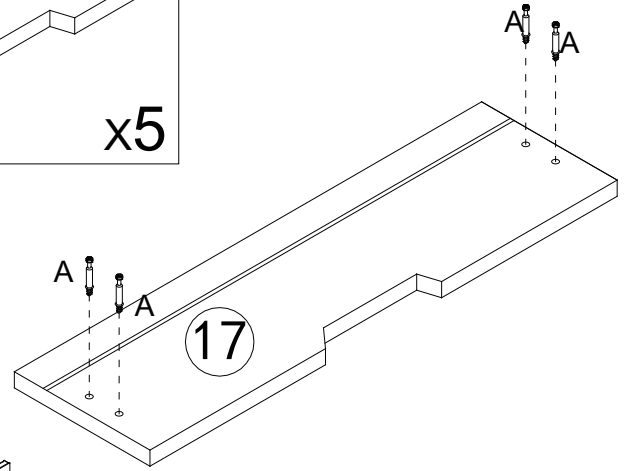
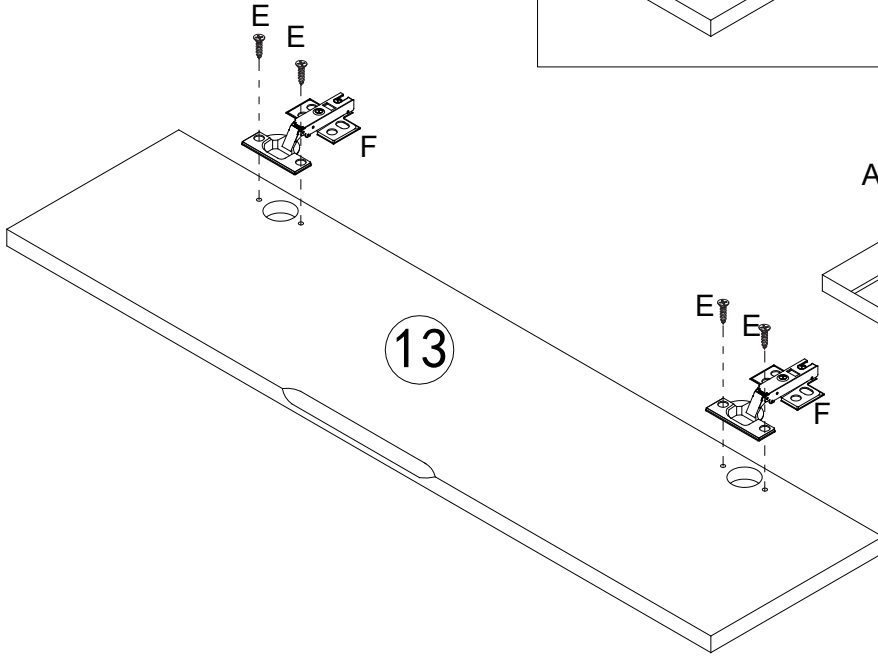
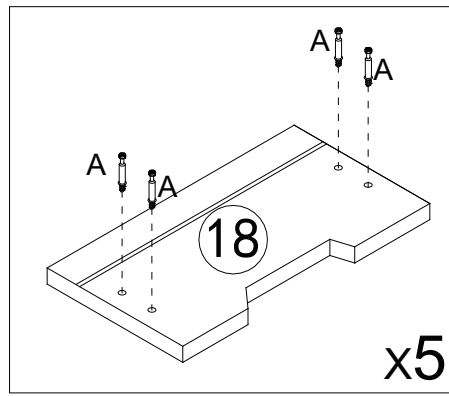


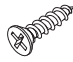
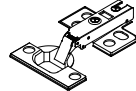
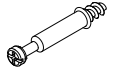
A	x17
---	-----

J	x1
---	----

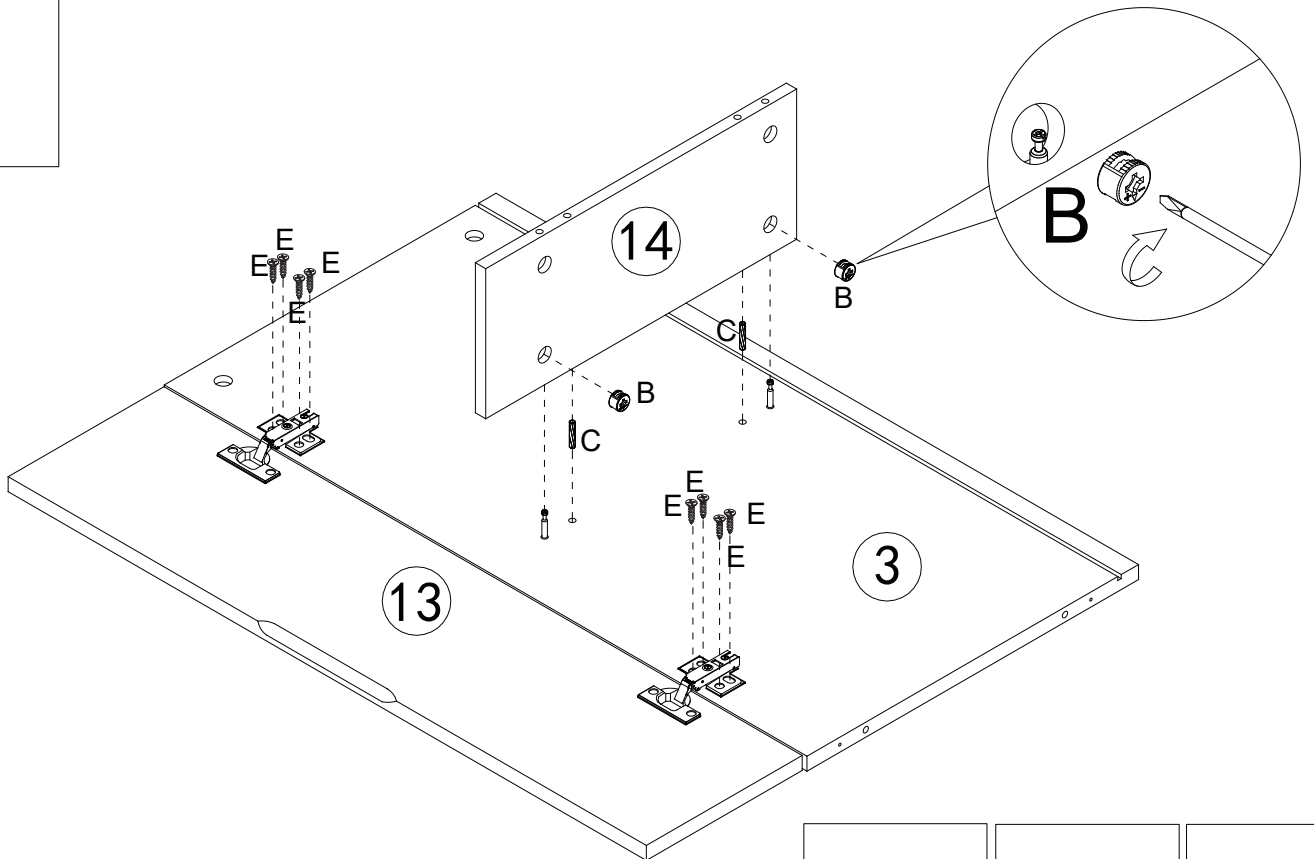
K	x6
---	----



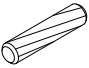
3



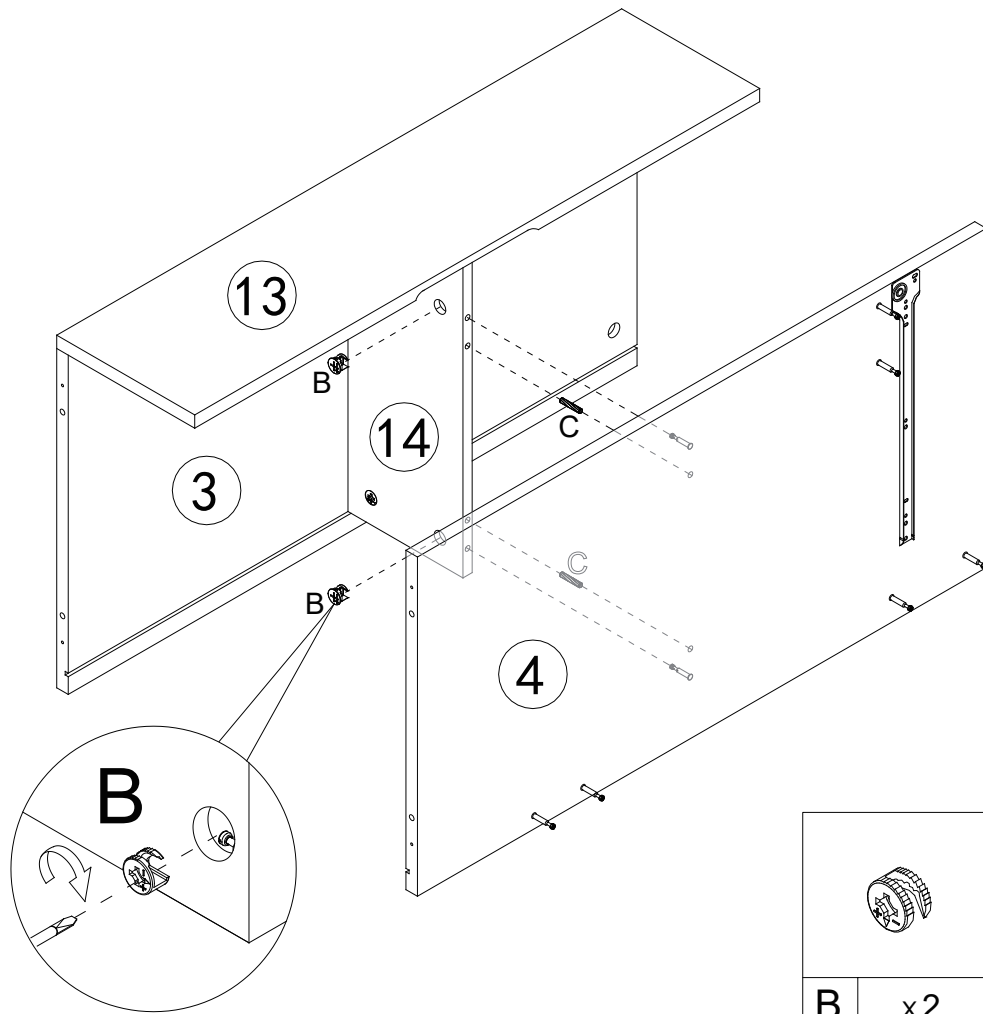
		
M4x14		
E	x4	F
		x2
		A
		x24


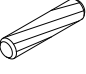
4



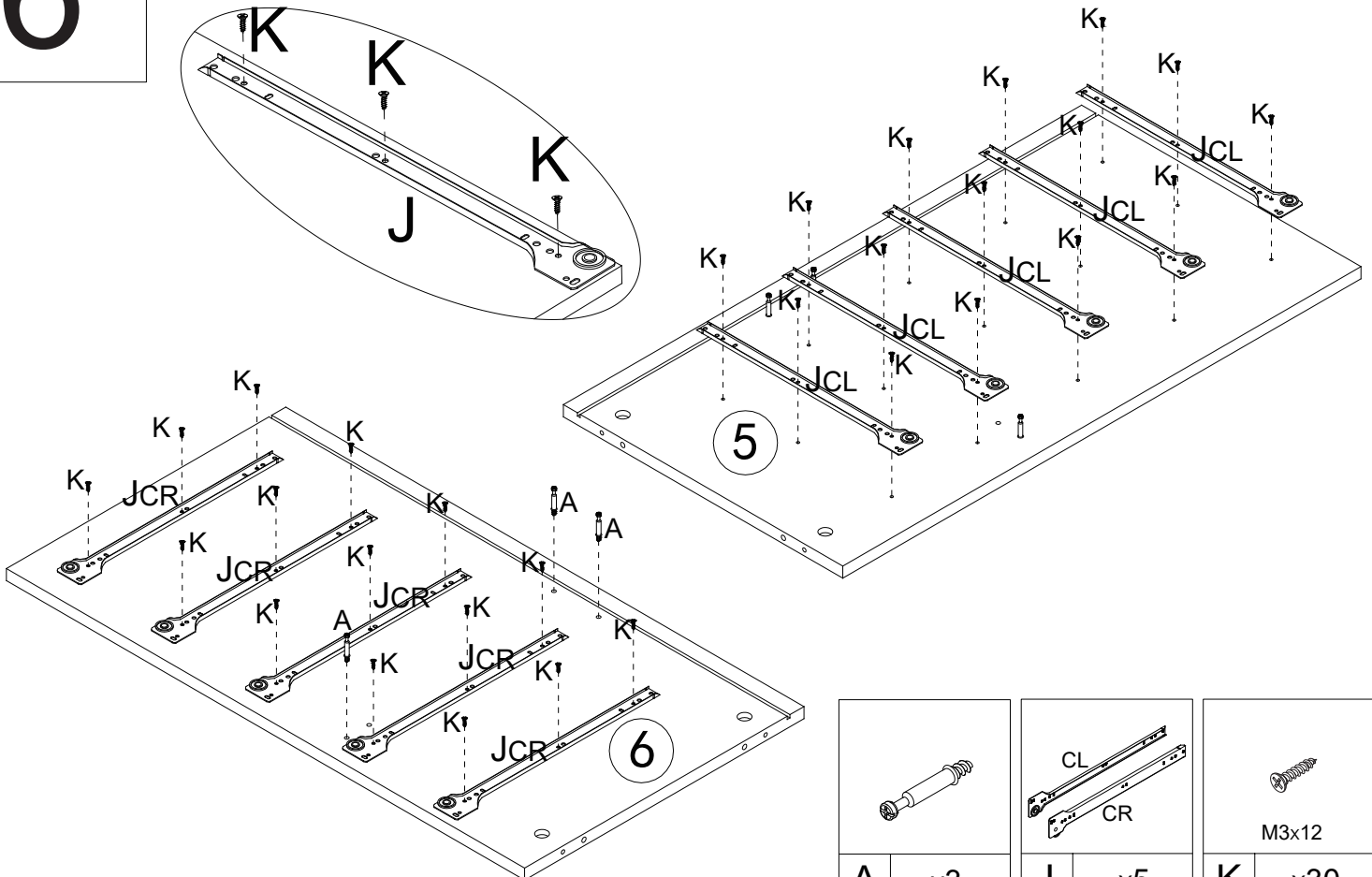
		
M4x14		Ø6x30
E	B	C
x8	x2	x2

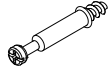
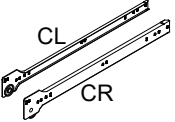

5



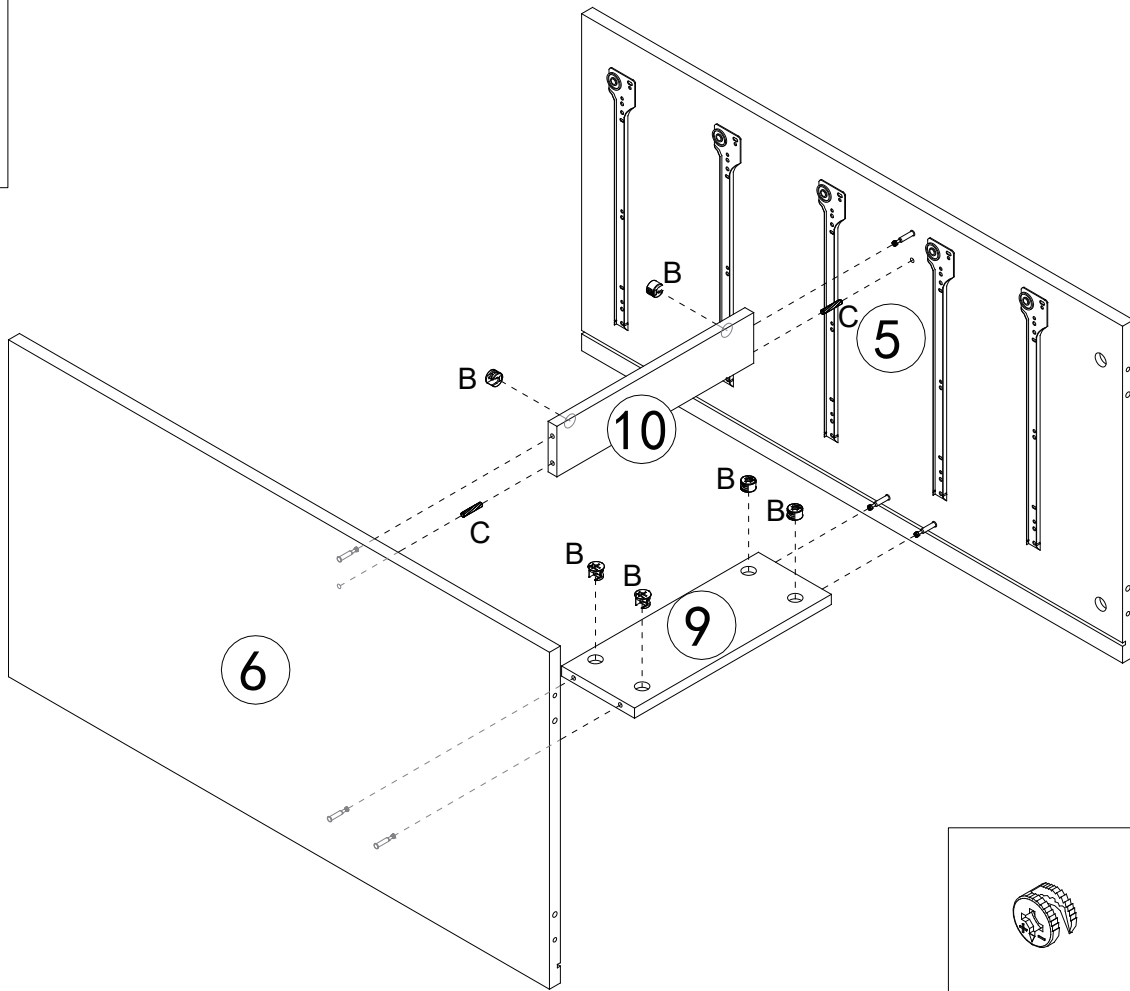
	
B	C
x2	x2


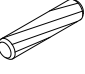
6



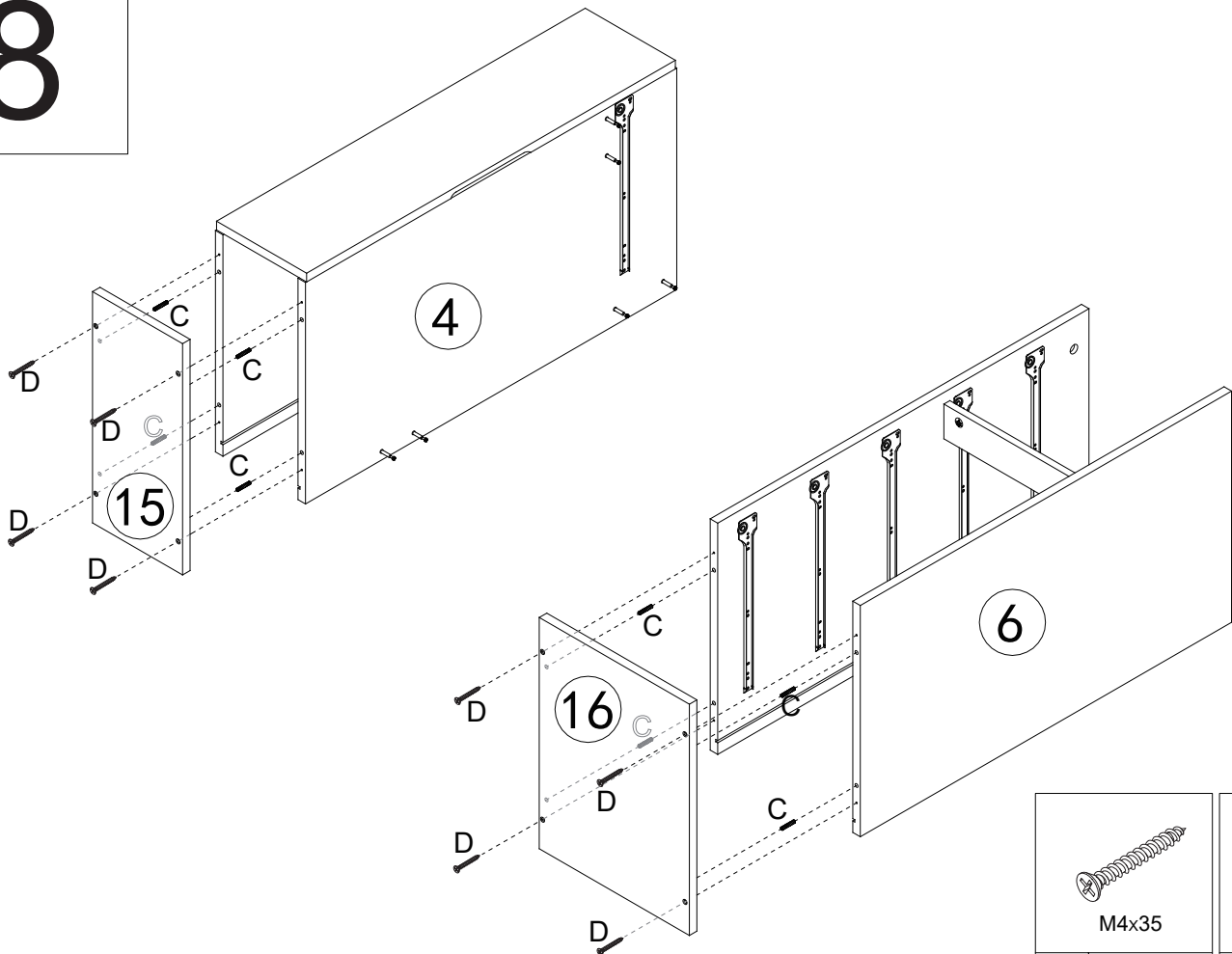
		
A	J	K
x3	x5	x30

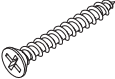
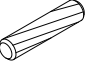
7



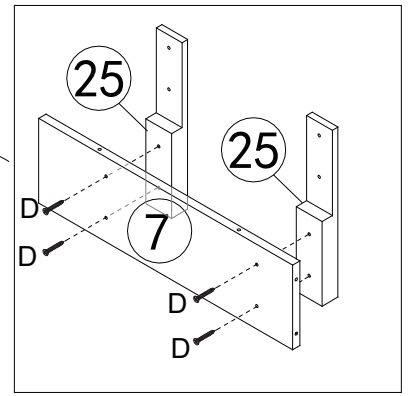
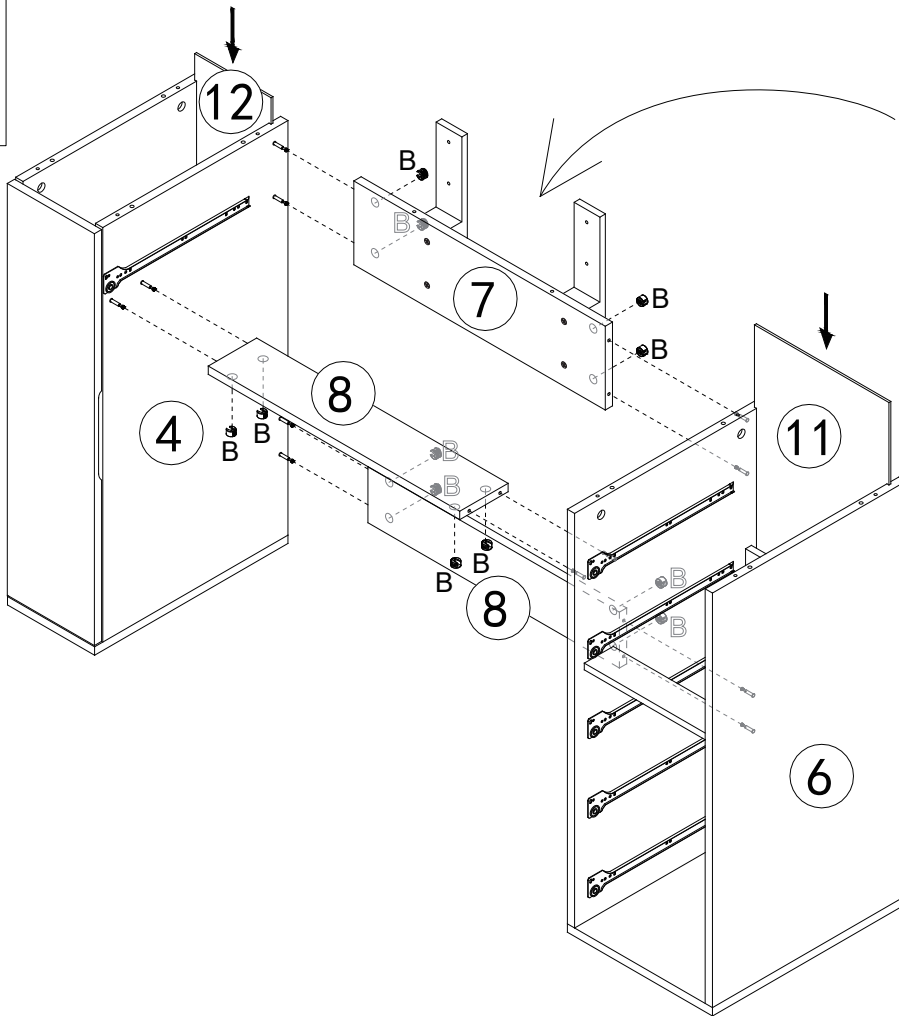
	
B	C
x6	x2

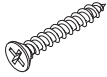

8



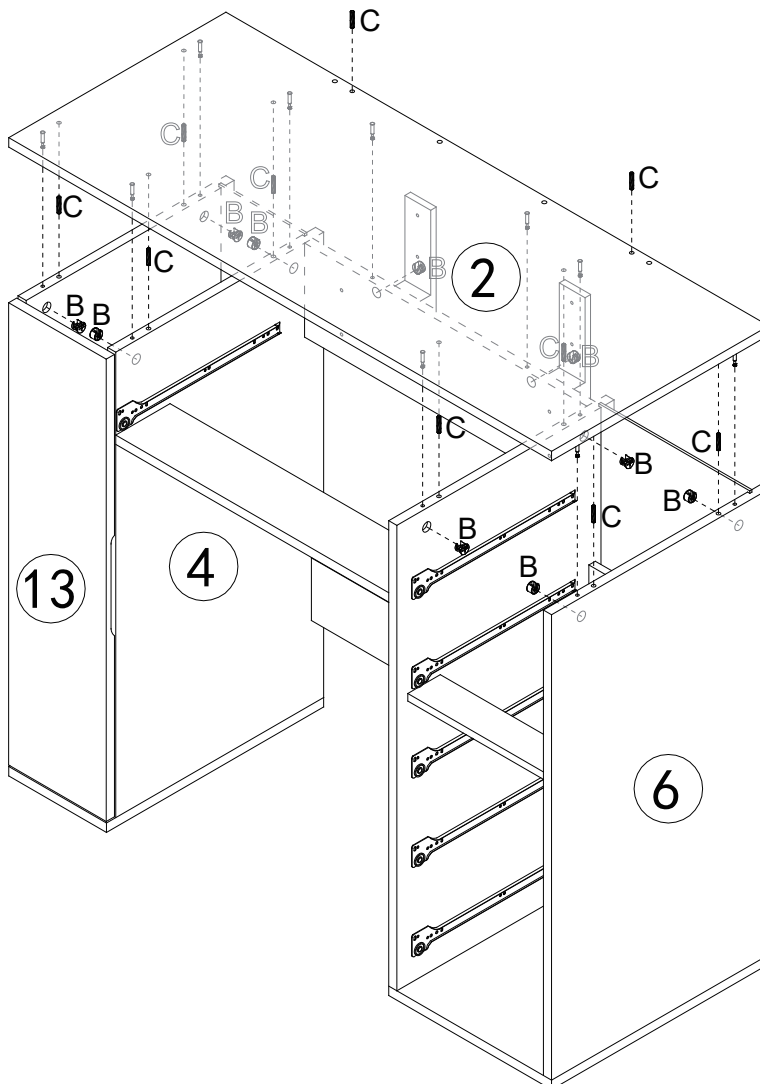
	
D	C
x8	x8


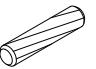
9



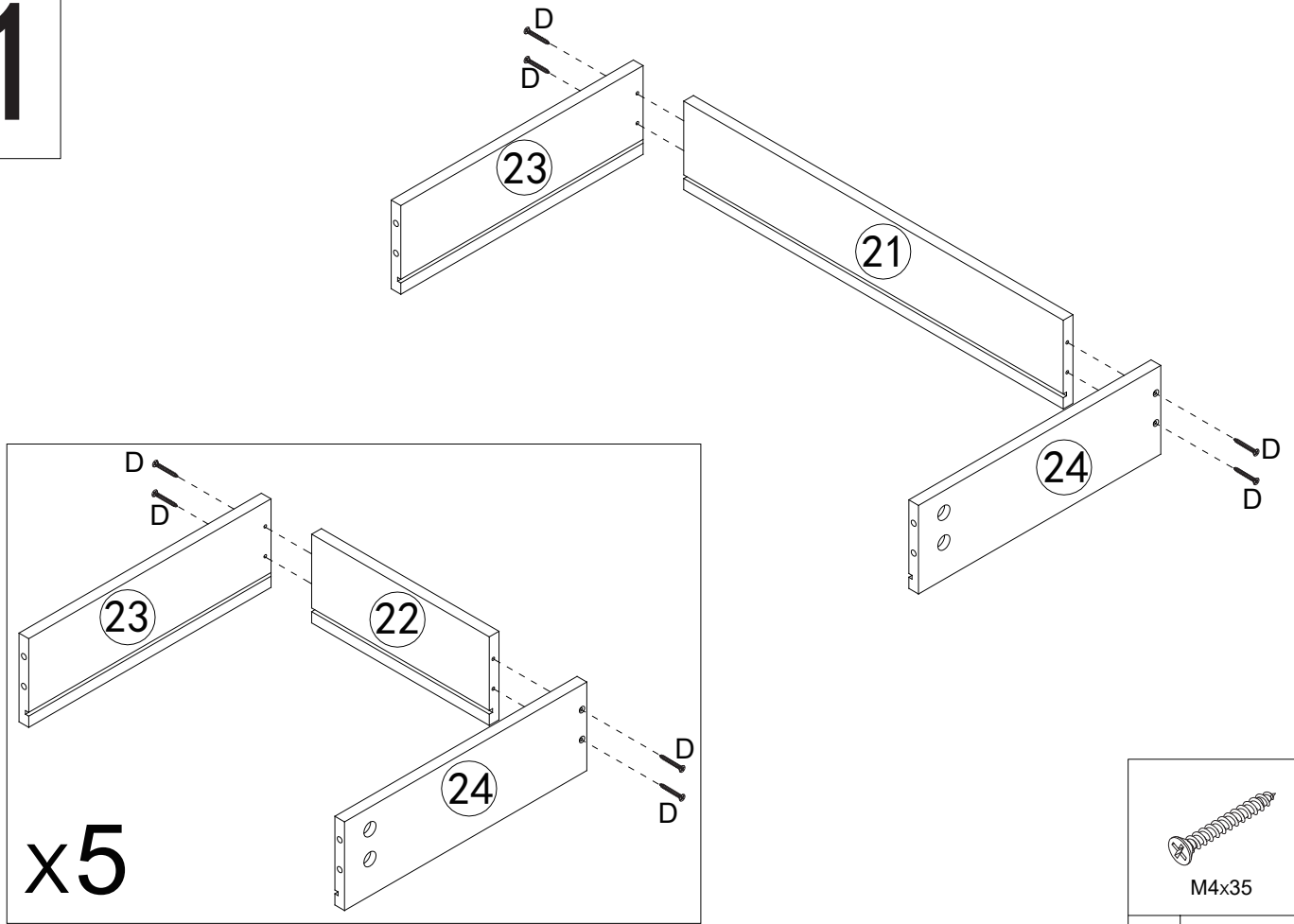
	
M4x35	
D x4	B x12

10

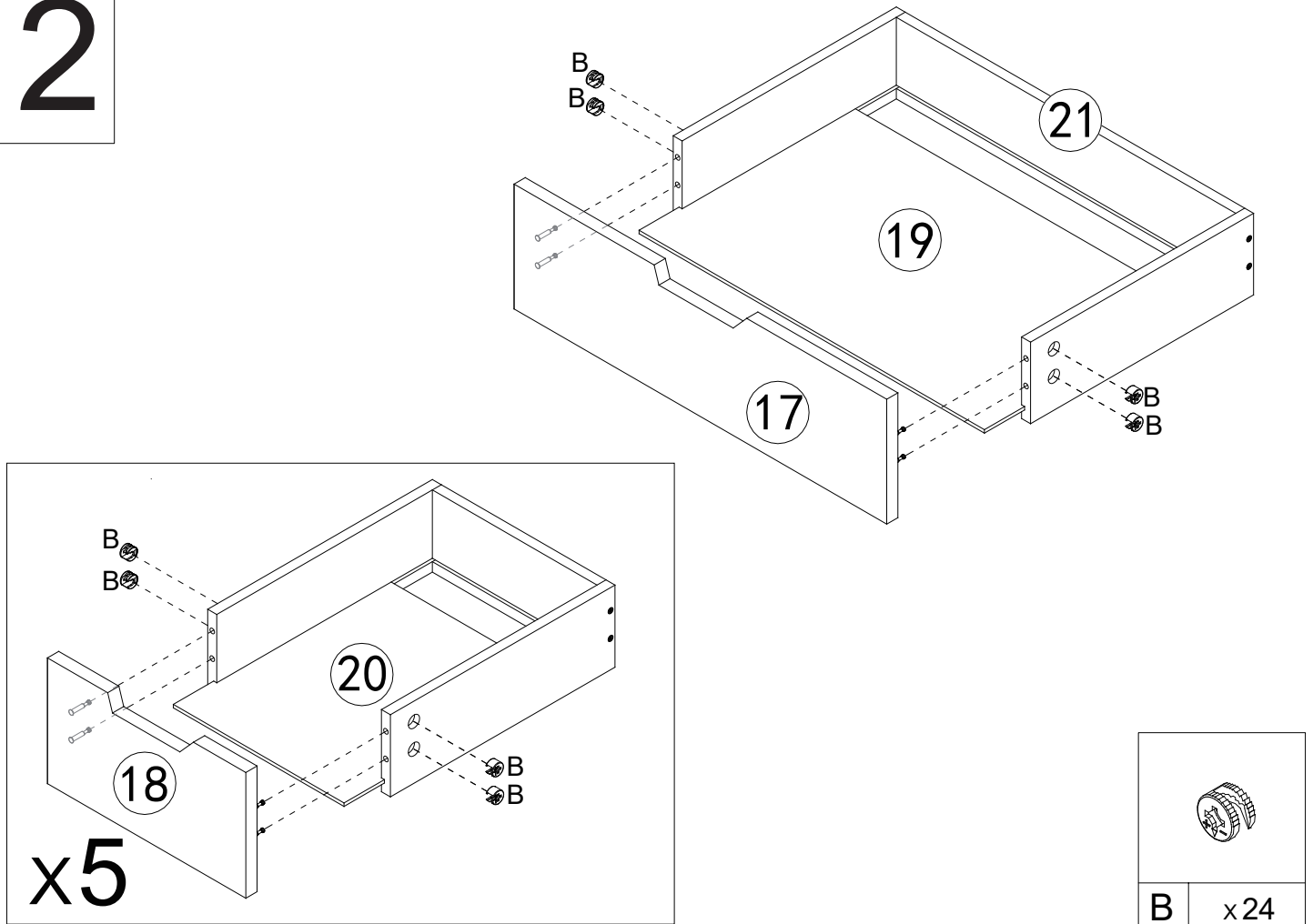


	
B x10	C x10

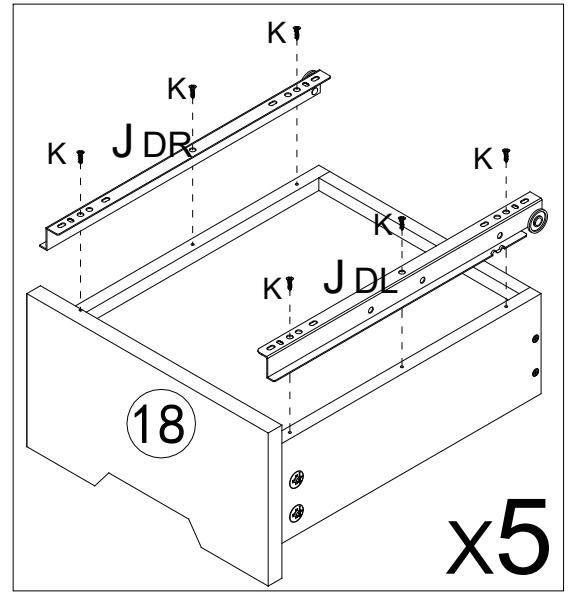
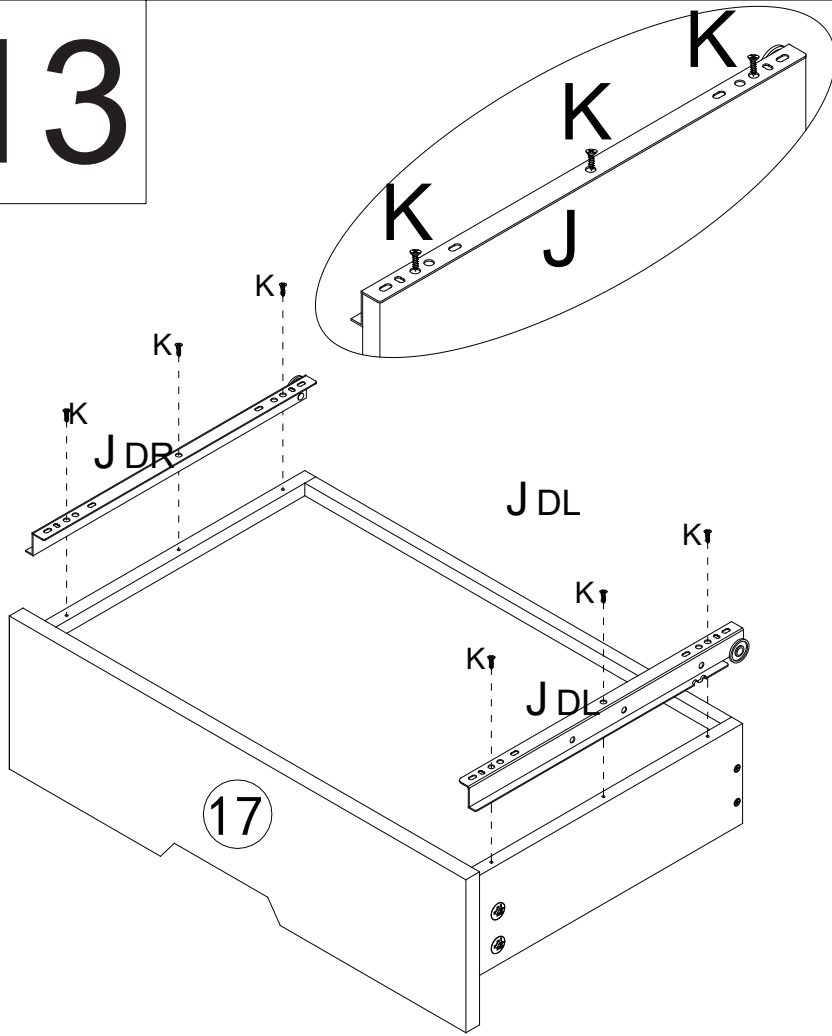
11



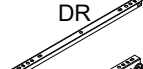

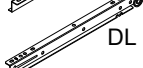
12



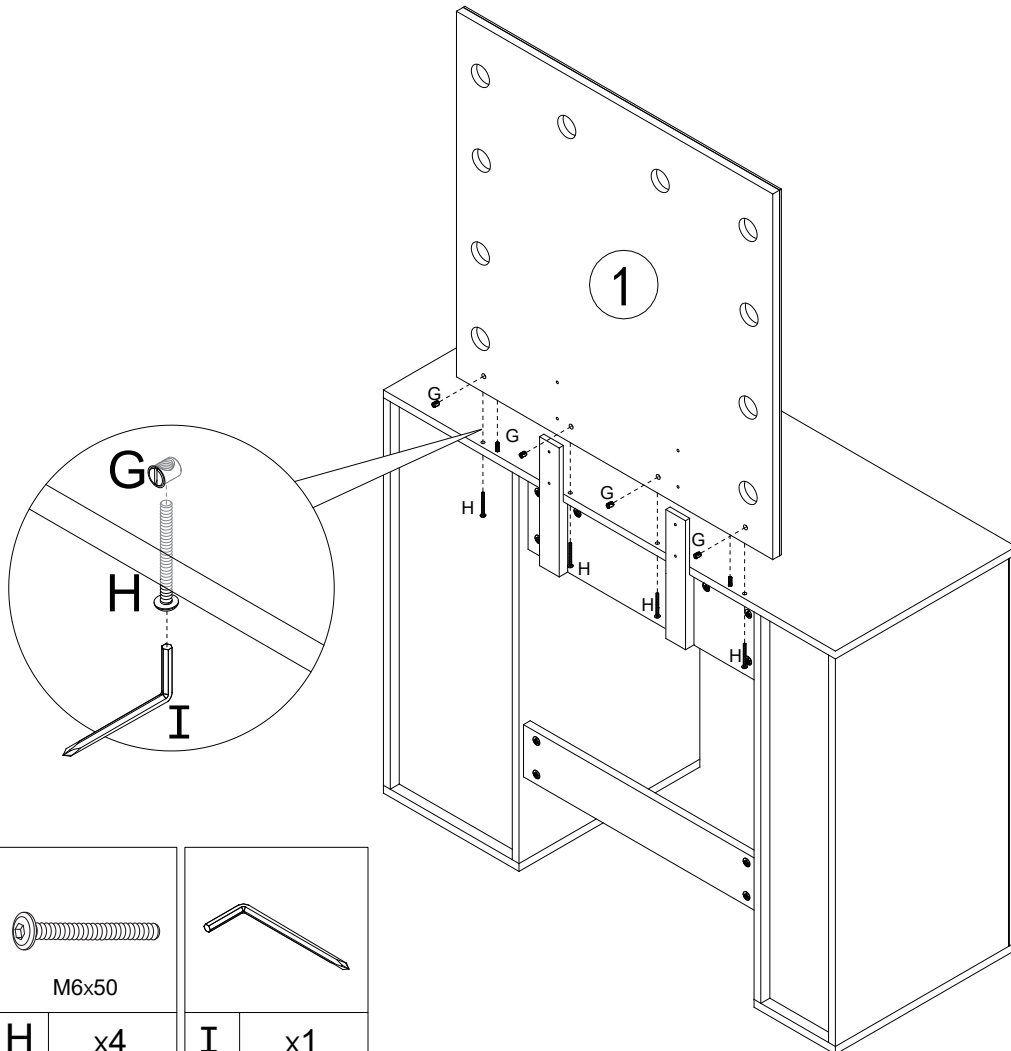
13






x5

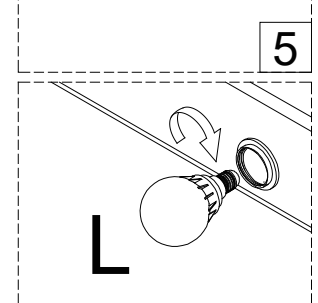
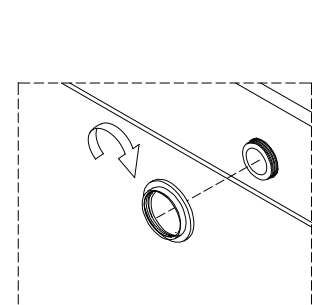
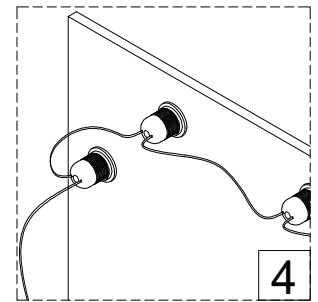
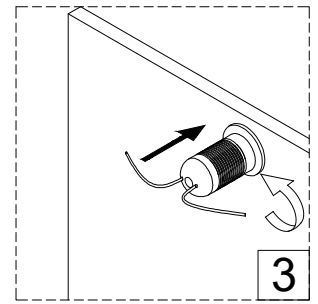
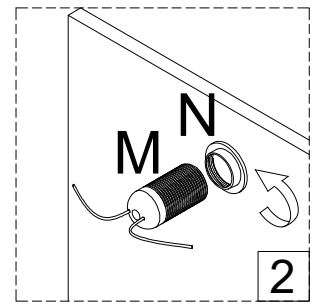
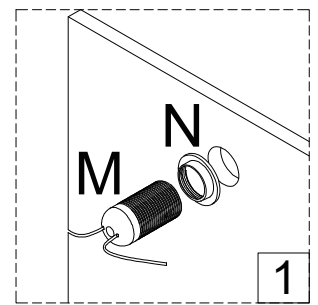
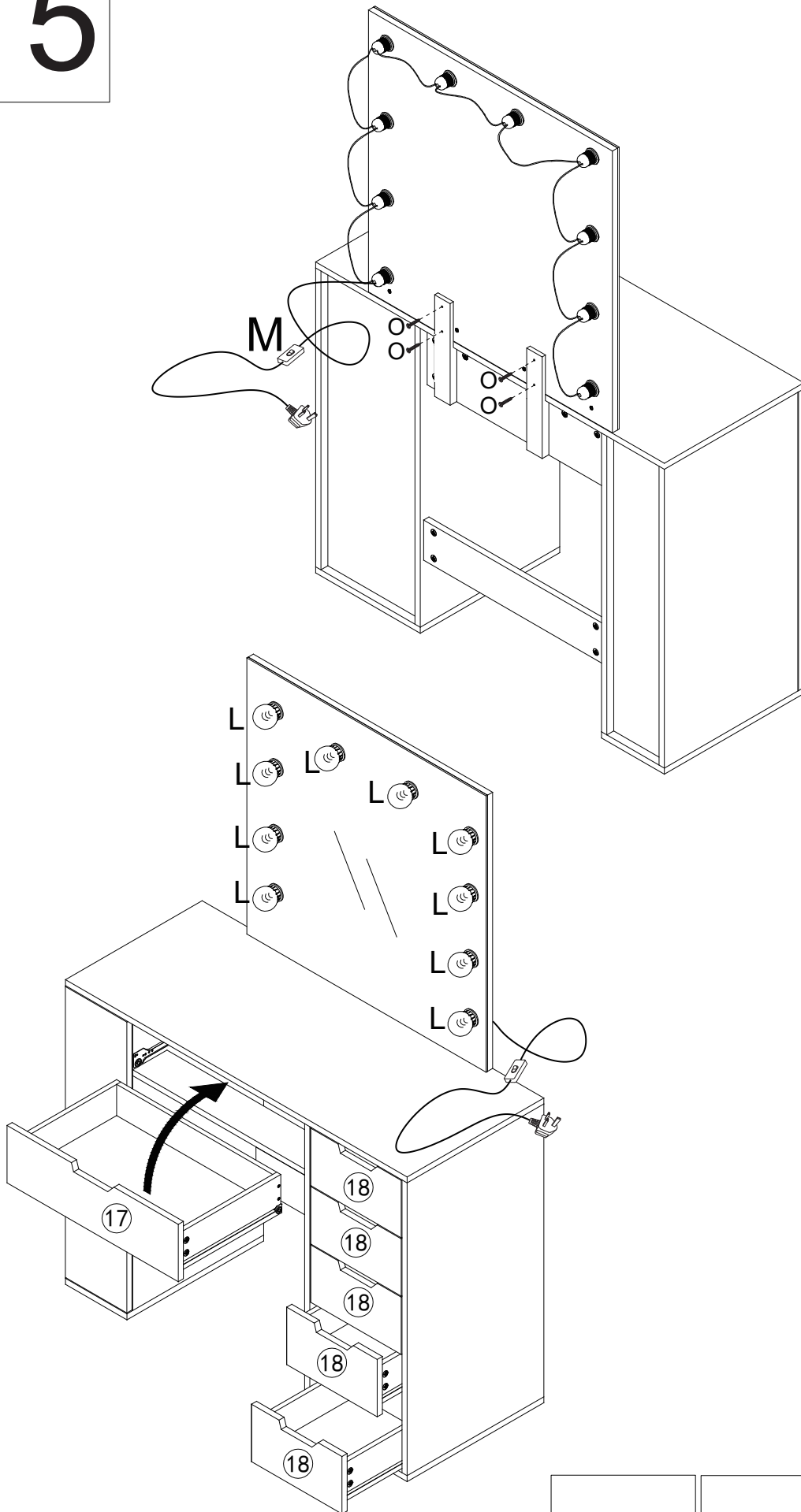
 DR		 M3x12	
 DL			
J	x6	K	x36

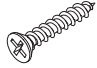

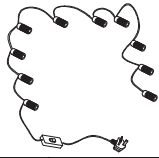

14



		 M6x50			
G	x4	H	x4	I	x1

15



			
M4x25			
O	x4	L	x10
		M	x1
		N	x20