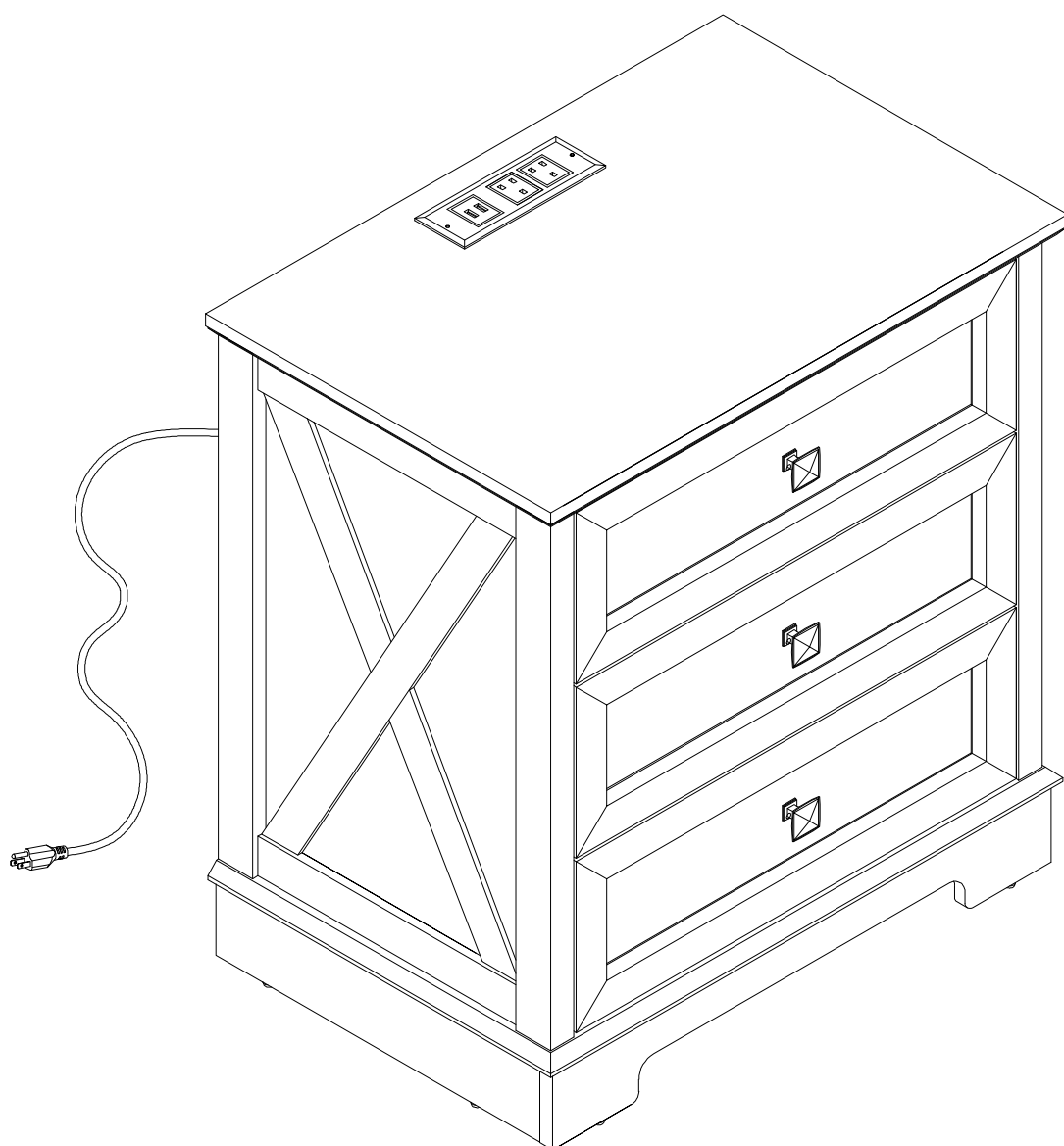
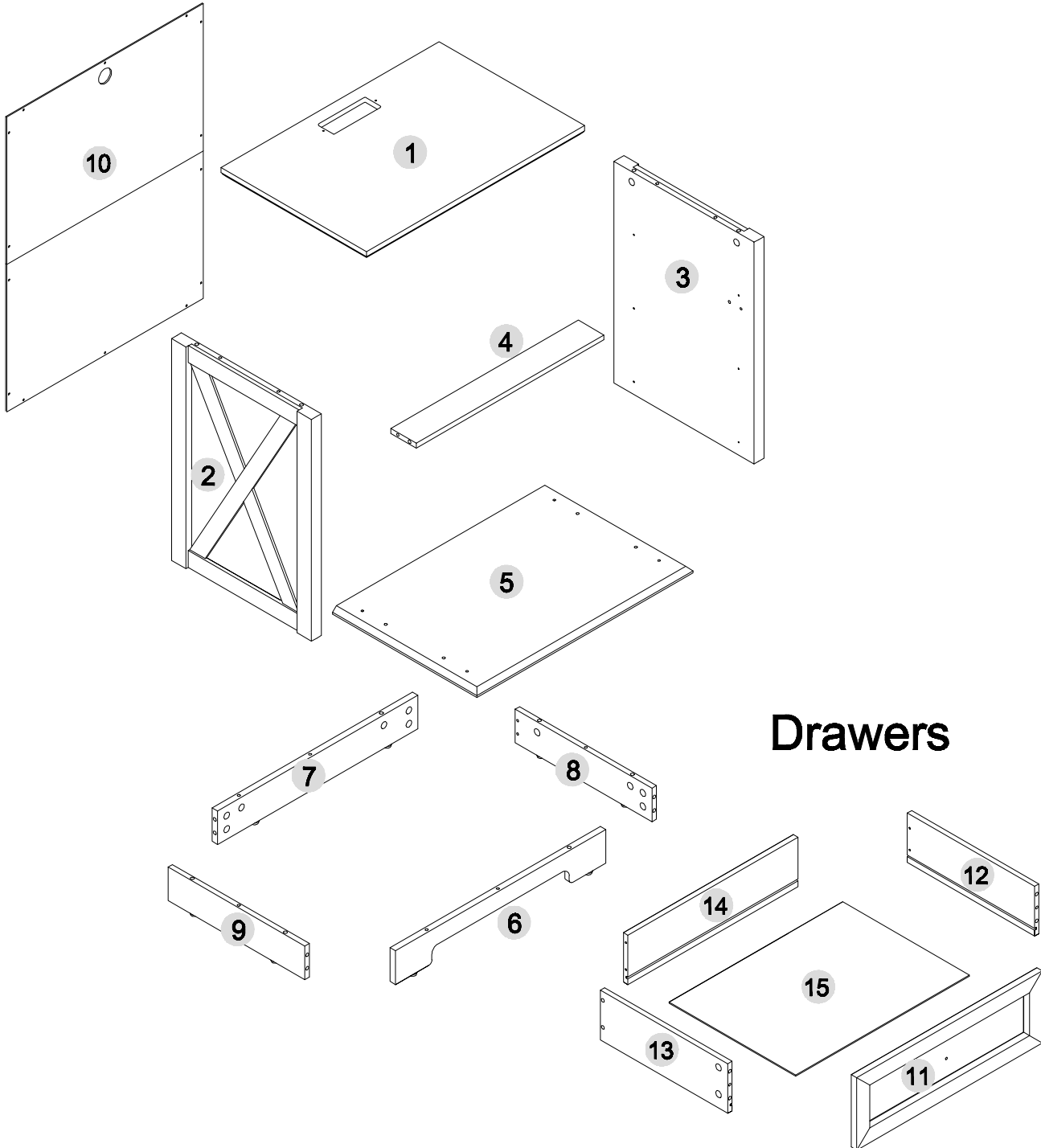


Nightstand Installation Manual



PACKAGE INCLUDE

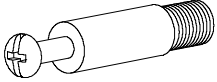
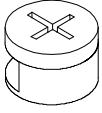
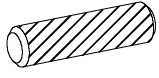
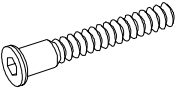

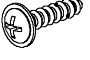
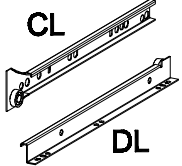
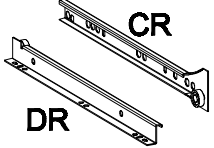
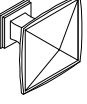

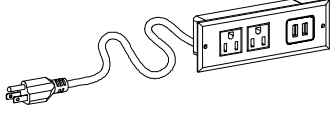
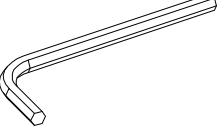
STRUCTURE FOR REFERENCE TO ASSEMBLY



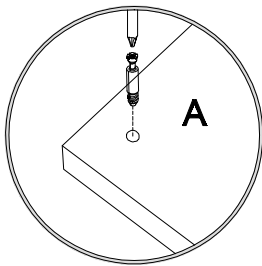
Drawers

X3

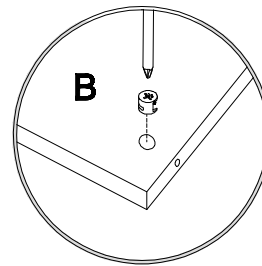
PACKAGE CONTENT

<p>A</p>  <p>34+2 PCS</p>	<p>Ø15x9MM</p>  <p>B</p> <p>34+2 PCS</p>	<p>Ø6x30MM</p>  <p>C</p> <p>20+1 PCS</p>	<p>Ø5*48MM</p>  <p>D</p> <p>16+2 PCS</p>
<p>Ø3.0x12MM</p>  <p>E</p> <p>26+2 PCS</p>	<p>Ø3.5x14MM</p>  <p>F</p> <p>14PCS</p>	<p>14"</p>  <p>G</p> <p>3PCS</p>	<p>14"</p>  <p>G</p> <p>3PCS</p>
<p>30*24MM</p>  <p>H</p> <p>3 PCS</p>	<p>M4*10MM</p>  <p>I</p> <p>3 PCS</p>	 <p>J</p> <p>1 PCS</p>	<p>M3</p>  <p>K</p> <p>1 PCS</p>

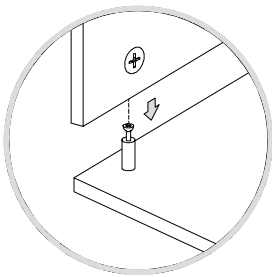
How to use the cam lock system



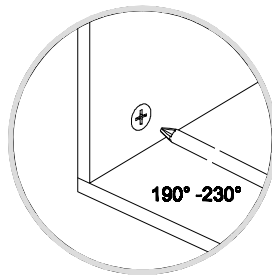
1. Screw cam bolt into panel



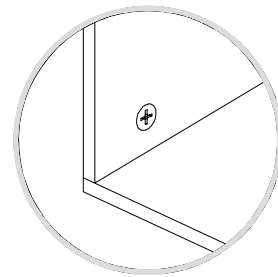
2. Push cam into panel - arrow feature on cam top points to panel edge



3. Align cam bolt(s) with cam(s) and insert all the way into cross-bored hole(s)

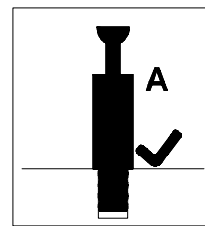
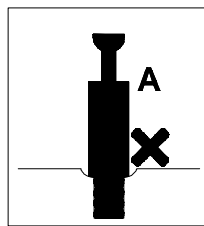
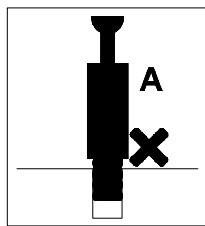
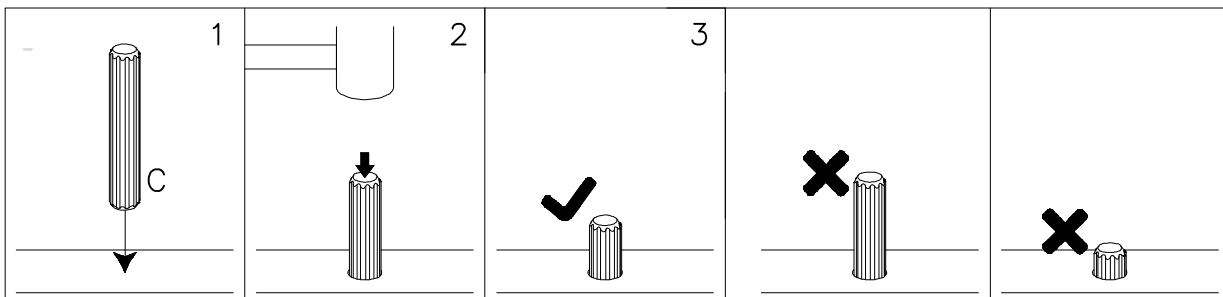


4. Rotate cam(s) clockwise 190° - 230° to lock panels together



5. Panels should be tight against each other and connection should be rigid

Insert the wood dowel [C] at least half way by tapping lightly with a rubber mallet, IF NECESSARY.



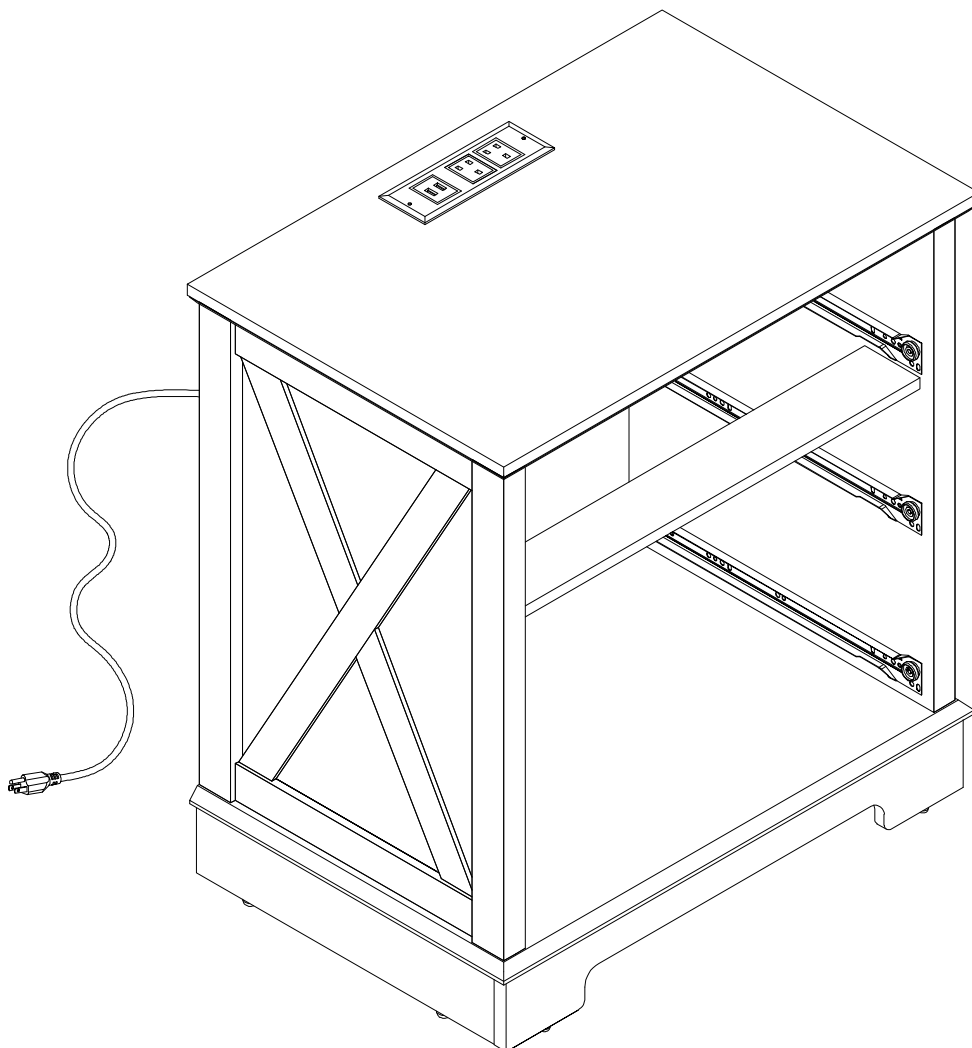
⚠ WARNING

- Unit must be placed on a level surface or leveled with included hardware(when applicable).
- Do not sit or stand on or allow children to climb,sit or stand on the assembled product.
- For safety reasons,it is imperative that this unit be mounted to the wall.
- Do not use without installing the tip restraint.
- Unit can tip over causing severe injury or death.
- Do not exceed the recommended weight limits.
- Evenly distribute the weight on each level and always keep the heavier loads on the bottom.
- Before cutting,drilling or hammering into any wall or floor surface,verify the location of electrical, plumbing and gas lines.Cutting may cause serious injury.

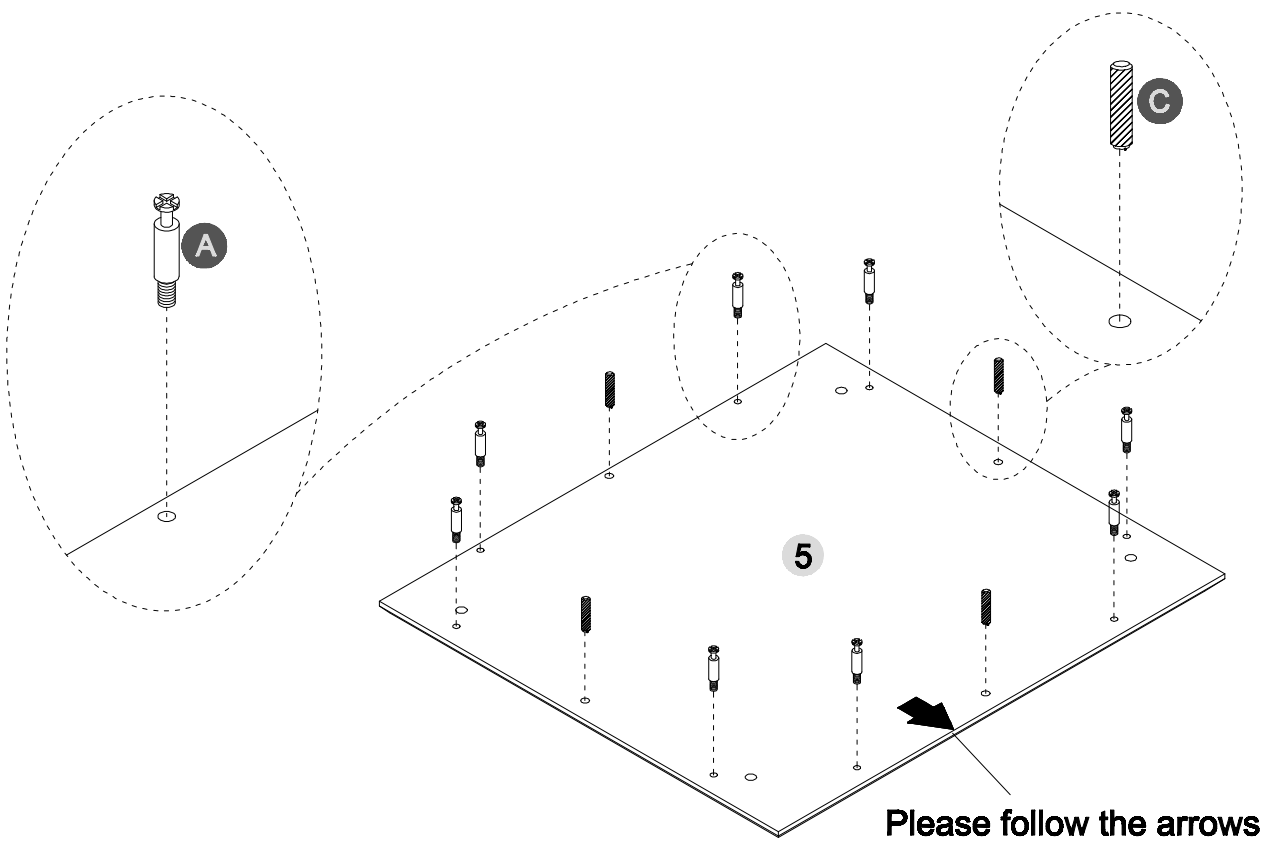
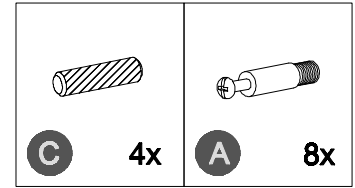
You are now ready to assemble the dresser



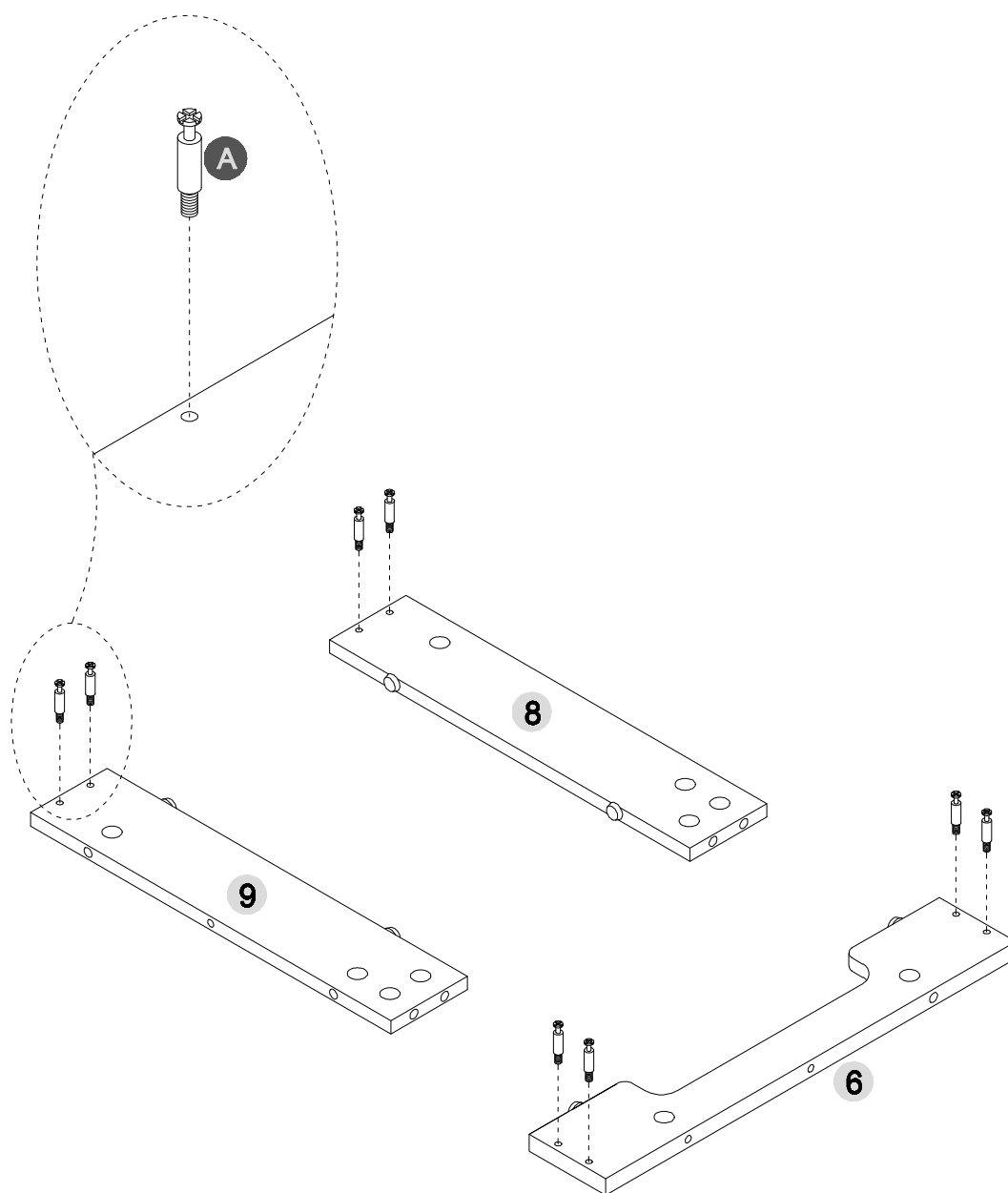
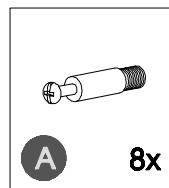
We recommend using a power drill to assemble.



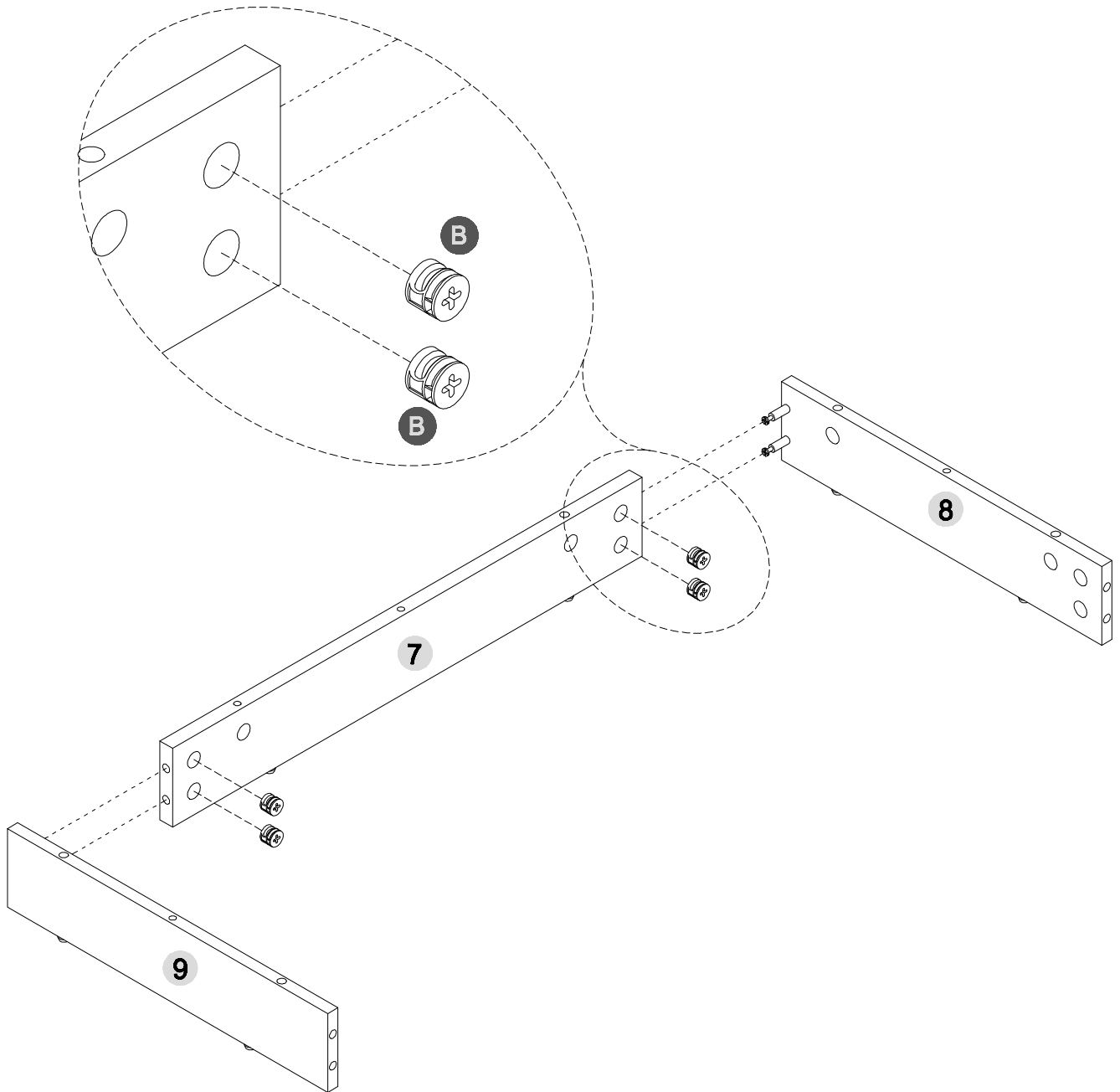
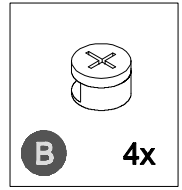
STEP 1



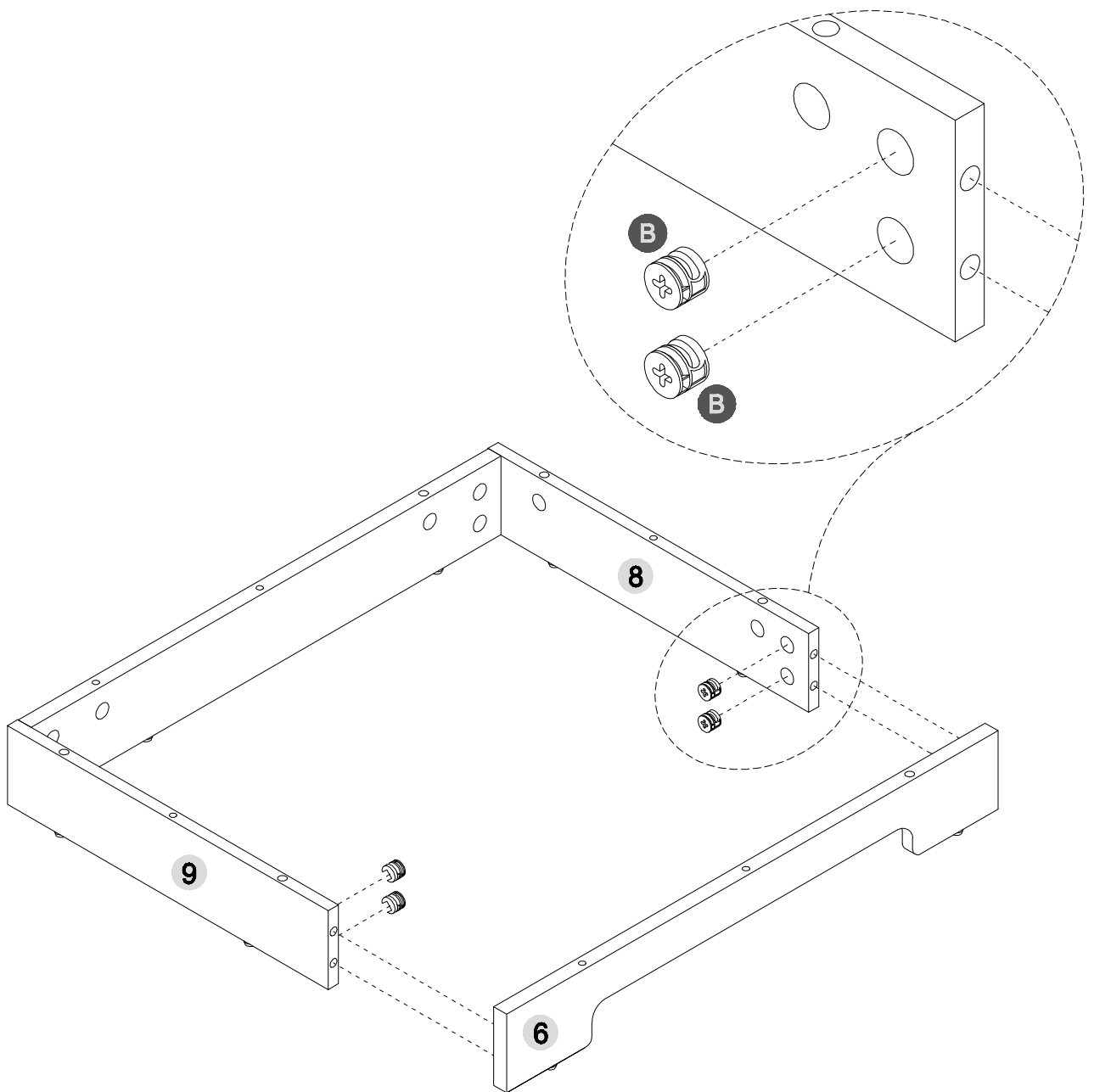
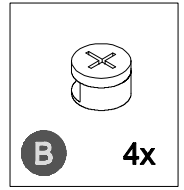
STEP 2



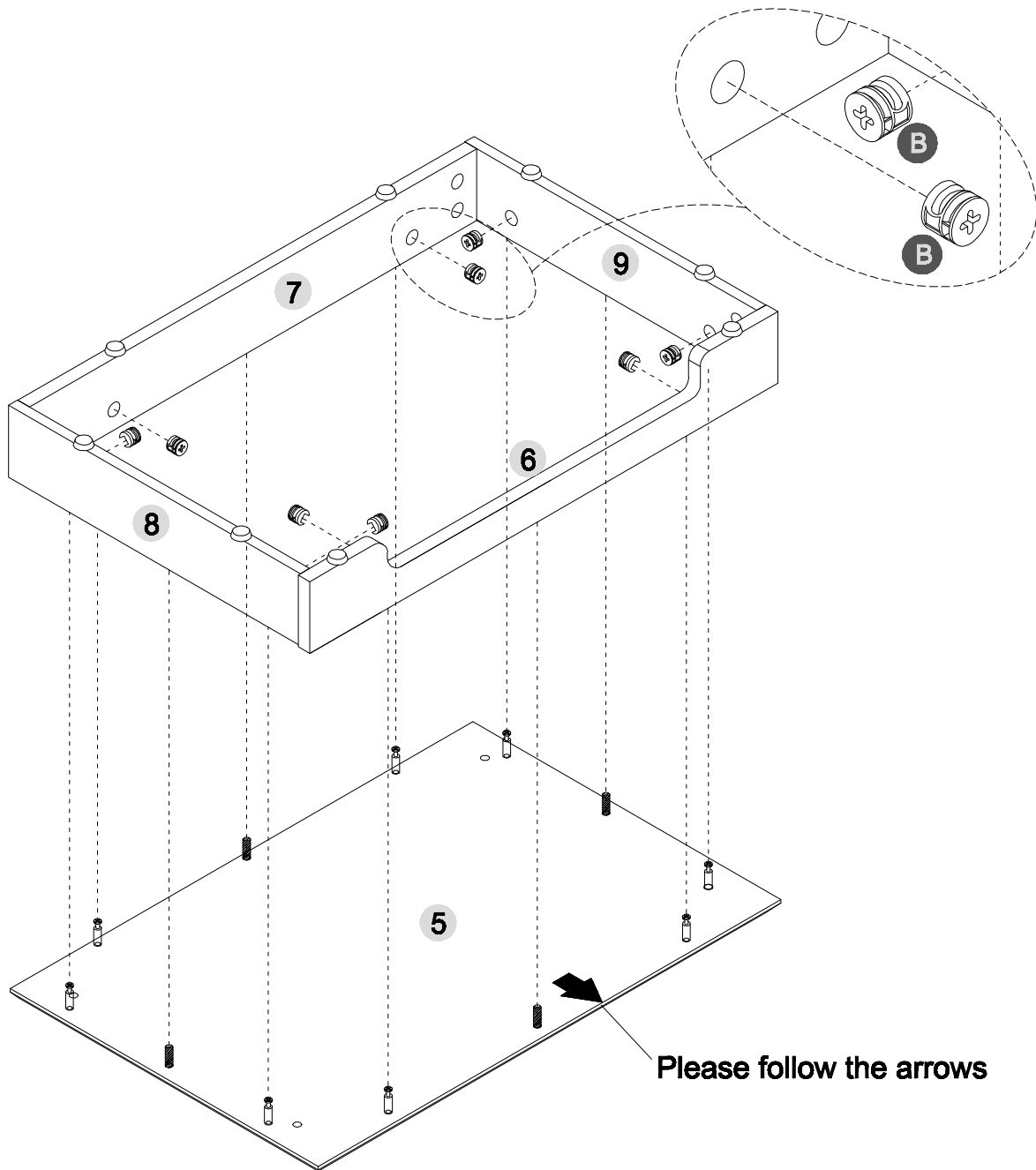
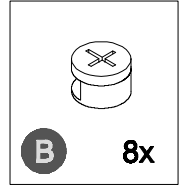
STEP 3



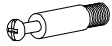


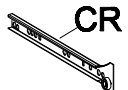
STEP 4

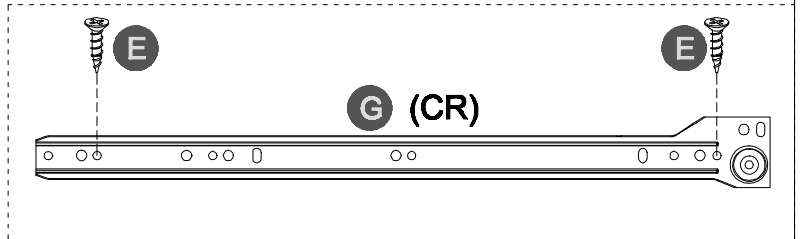


STEP 5

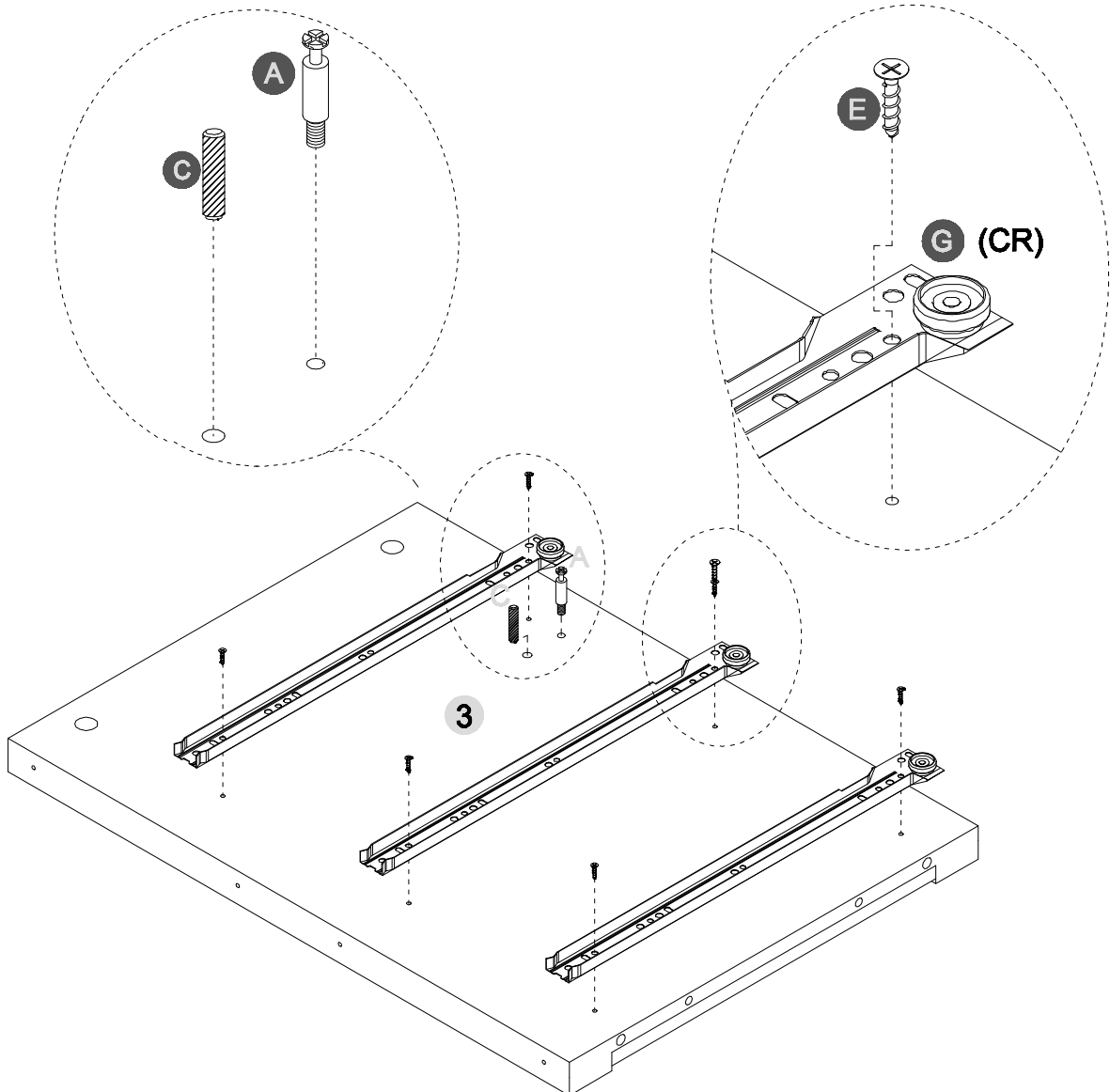


STEP 6

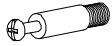


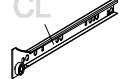
			
A 1x	C 1x	E 6x	G 3x

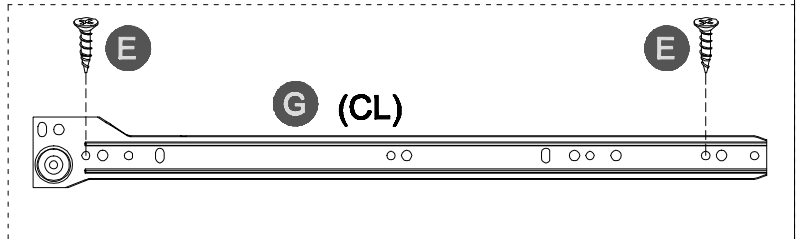


Note: Screw E can only be installed in the 1st hole at the front of the CR and the 3rd hole at the end

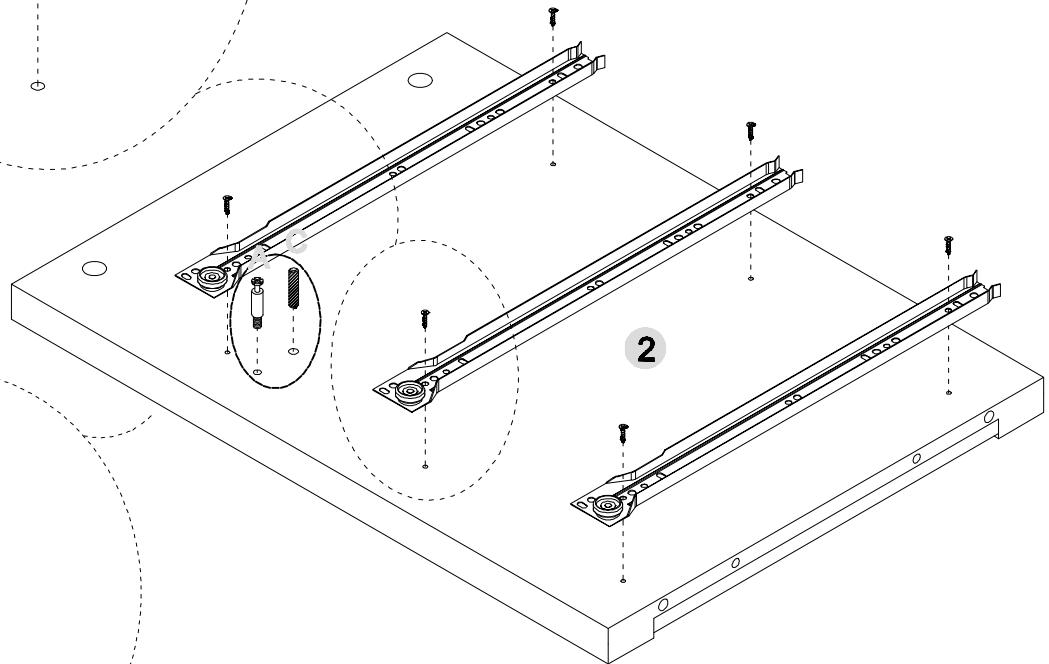
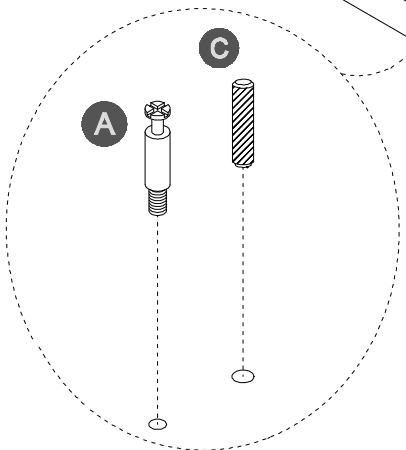
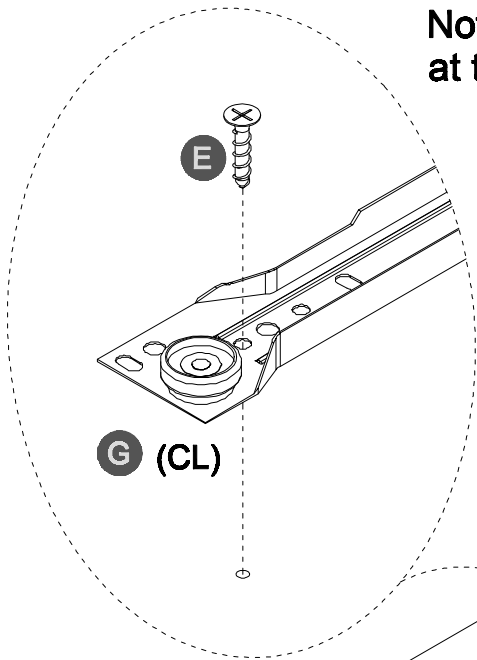


STEP 7

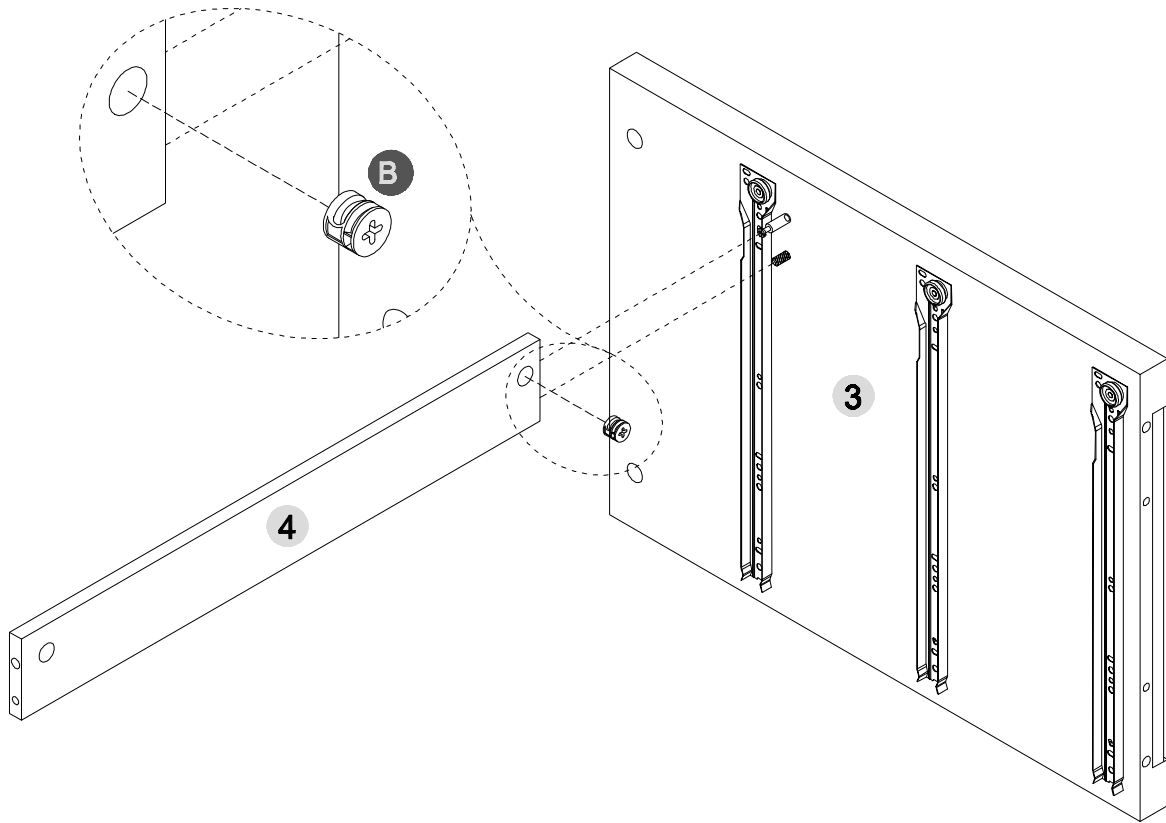
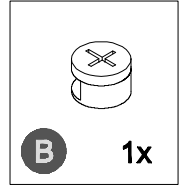
			
A 1x	C 1x	E 6x	G 3x



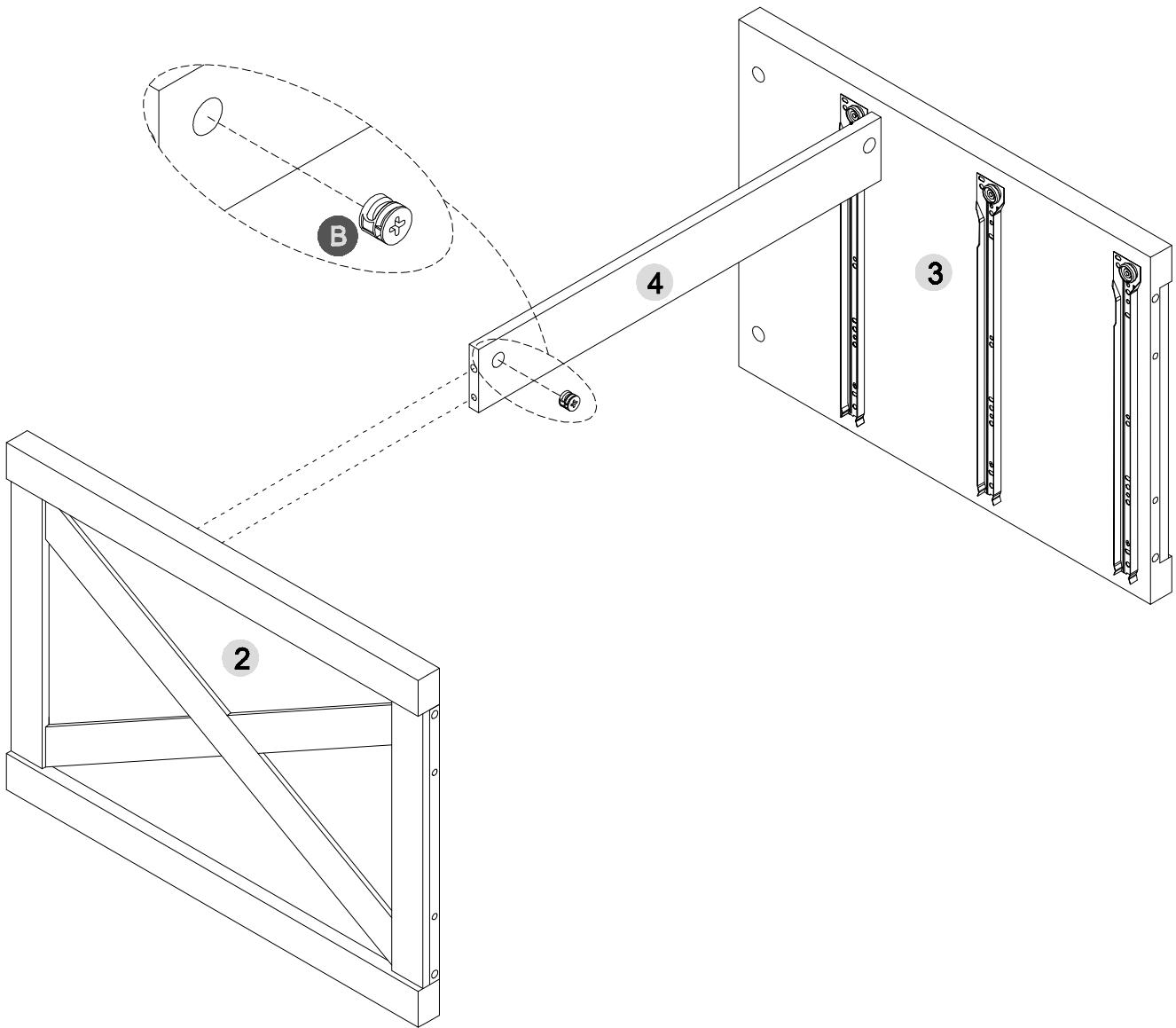
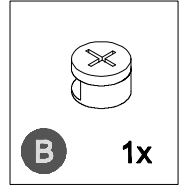
Note: Screw E can only be installed in the 1st hole at the front of the CL and the 3rd hole at the end



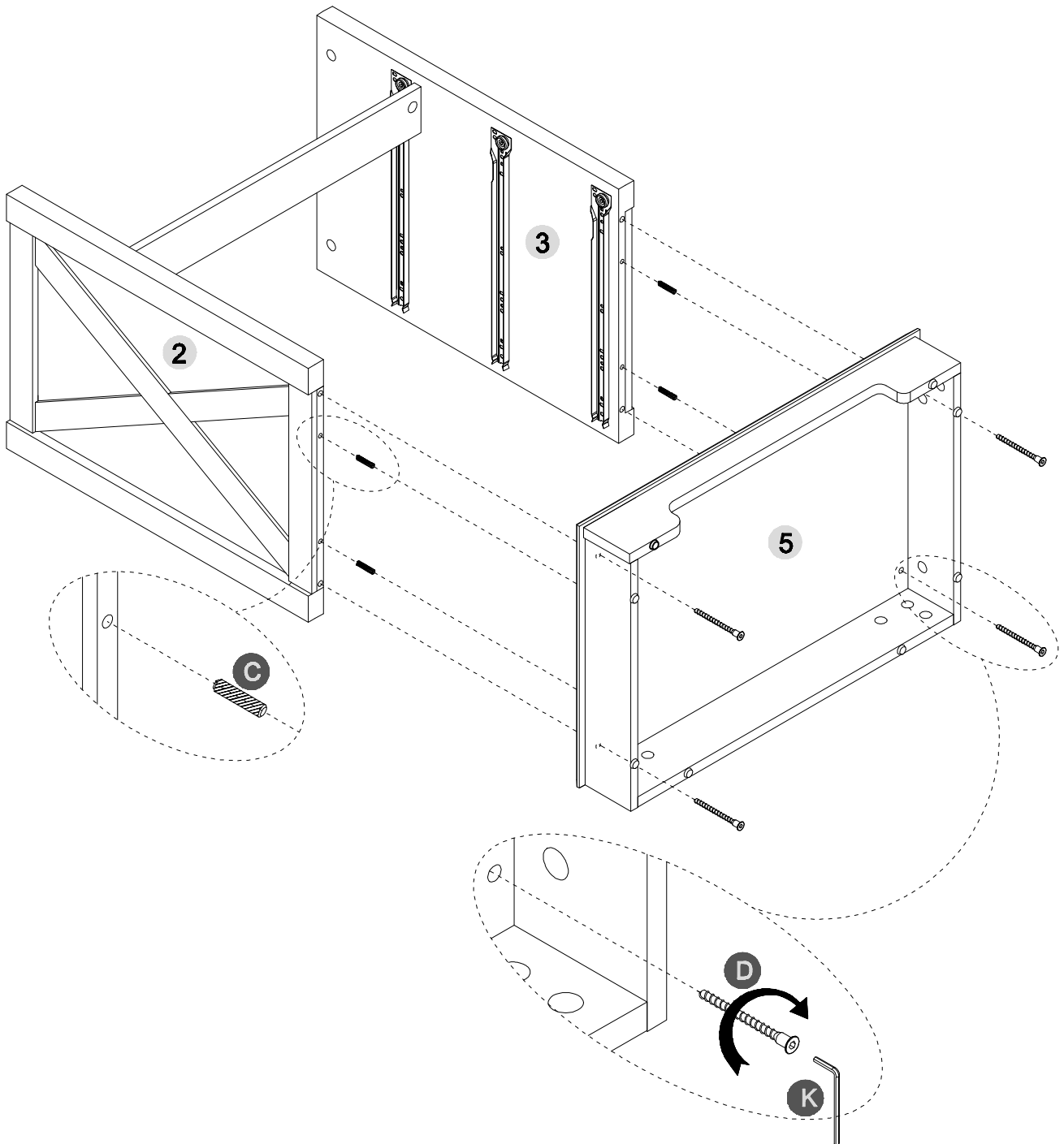
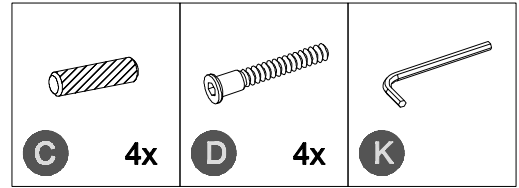
STEP 8



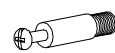
STEP 9



STEP 10

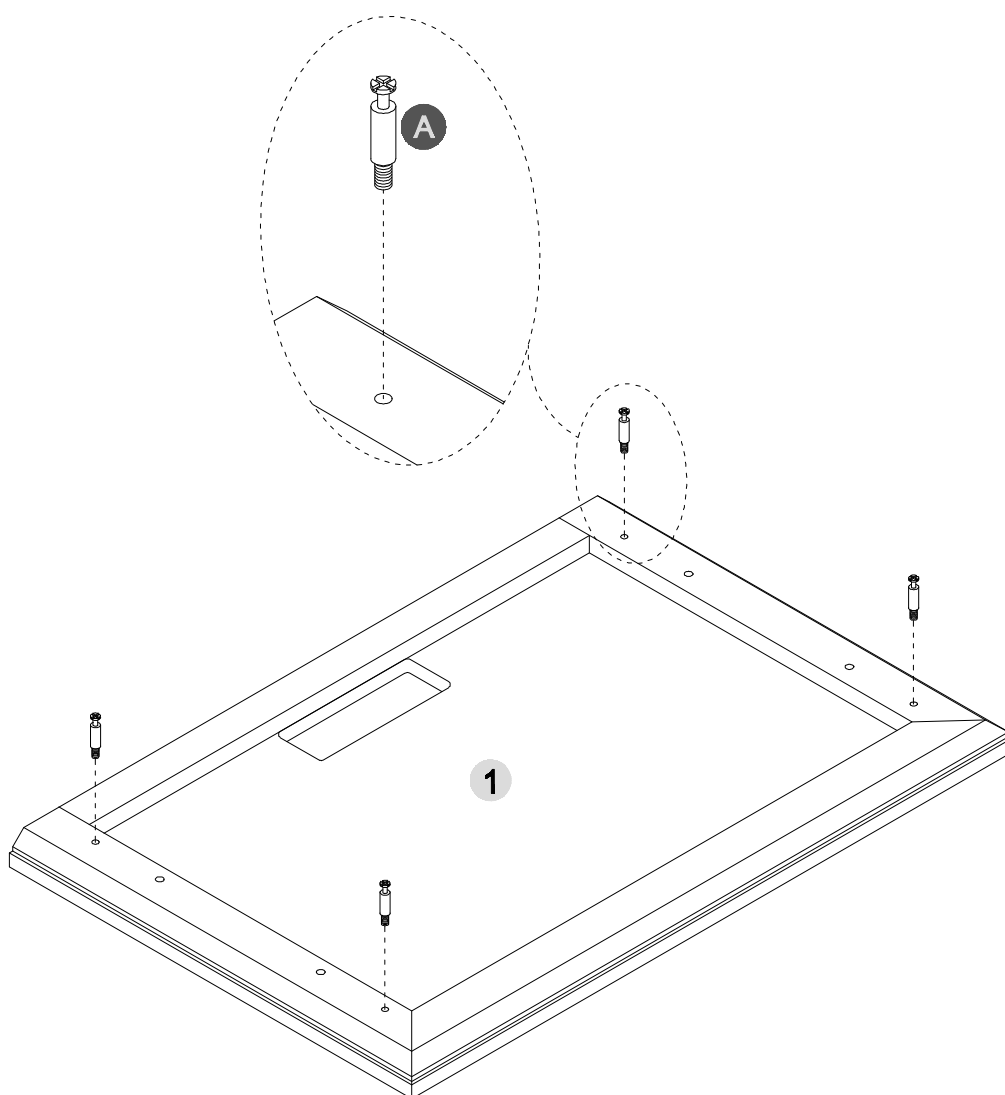


STEP 11

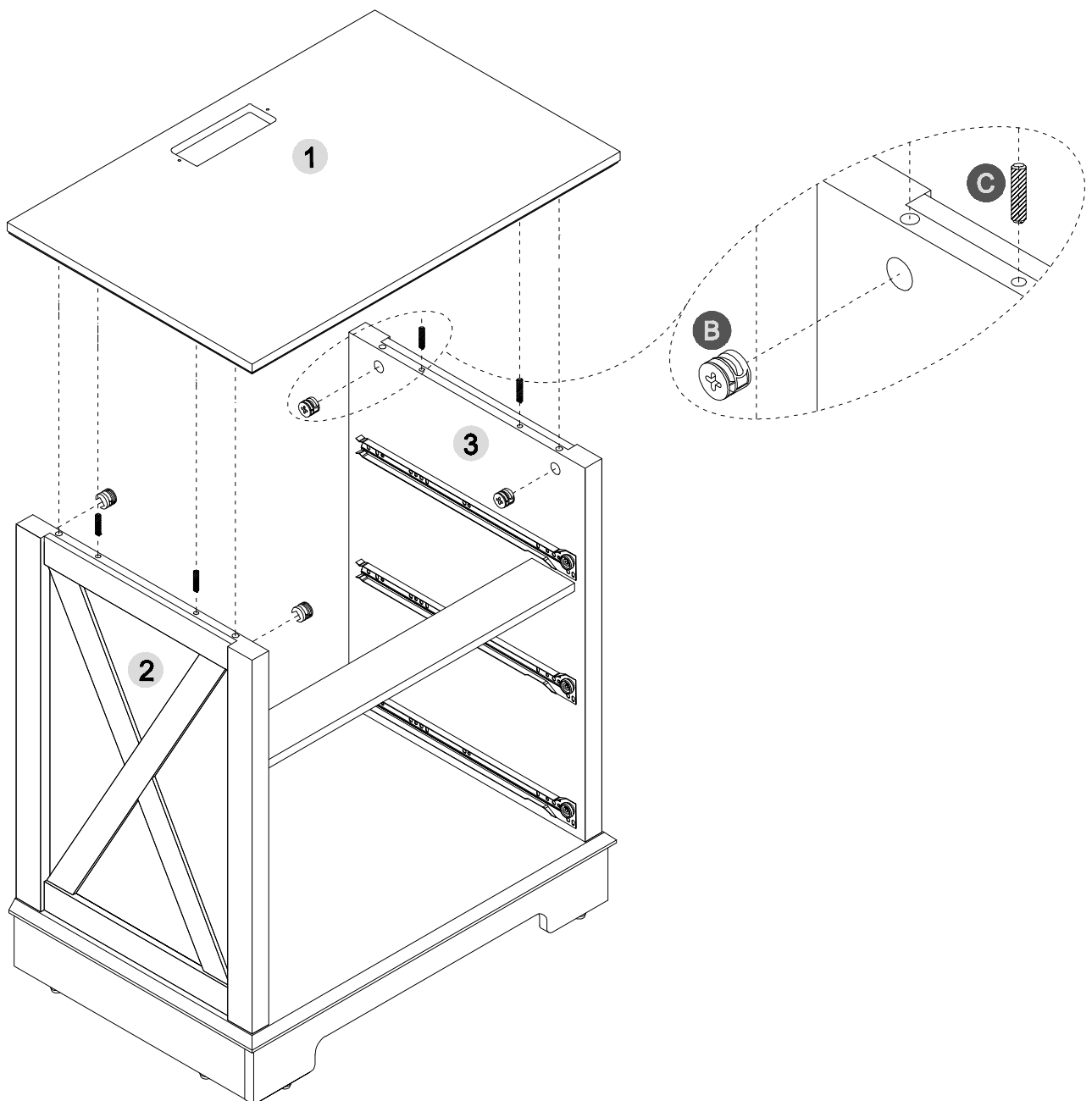
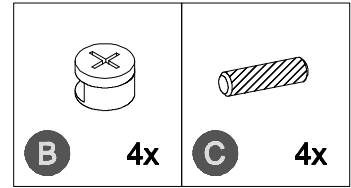


A



4x

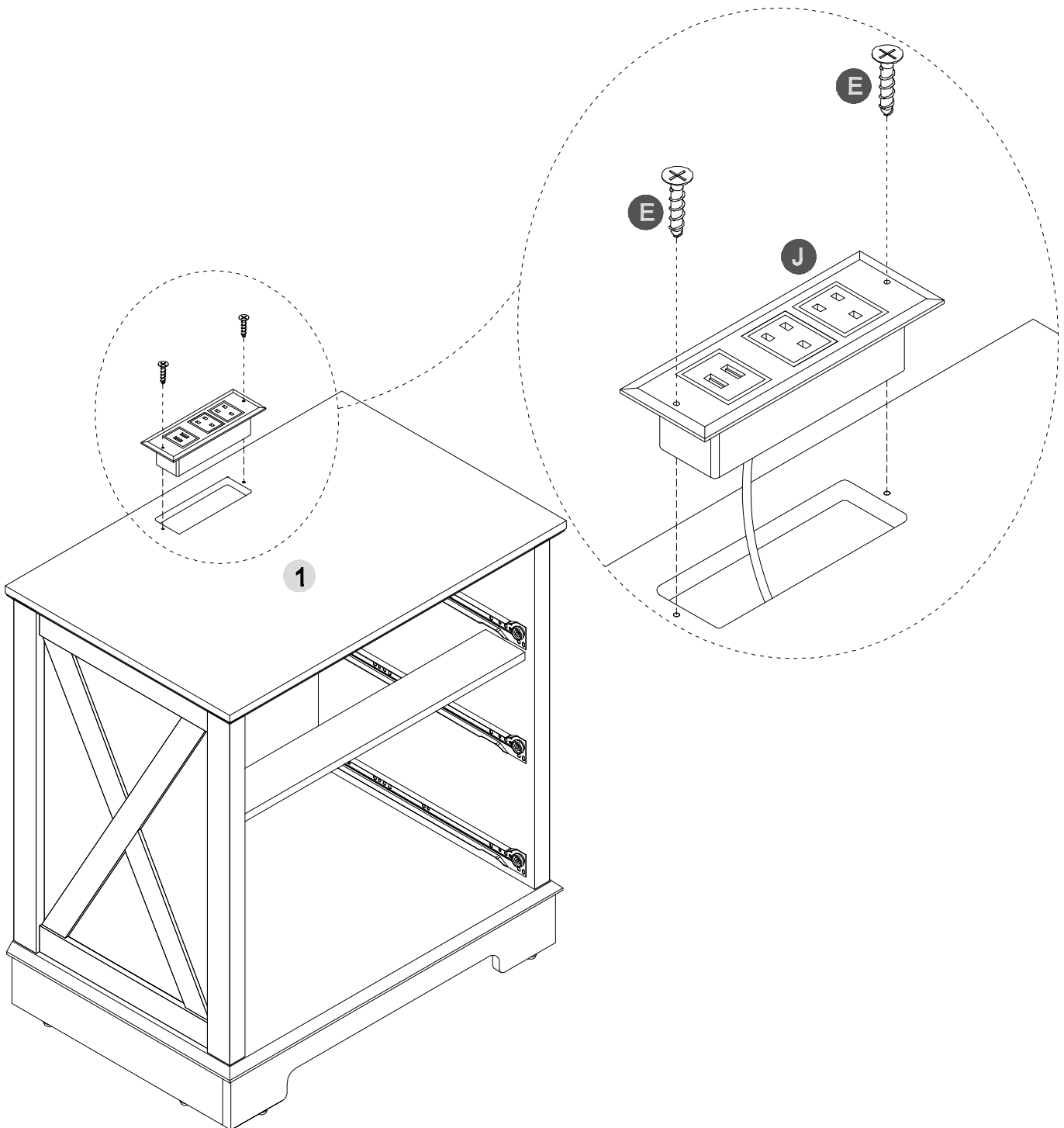


STEP 12

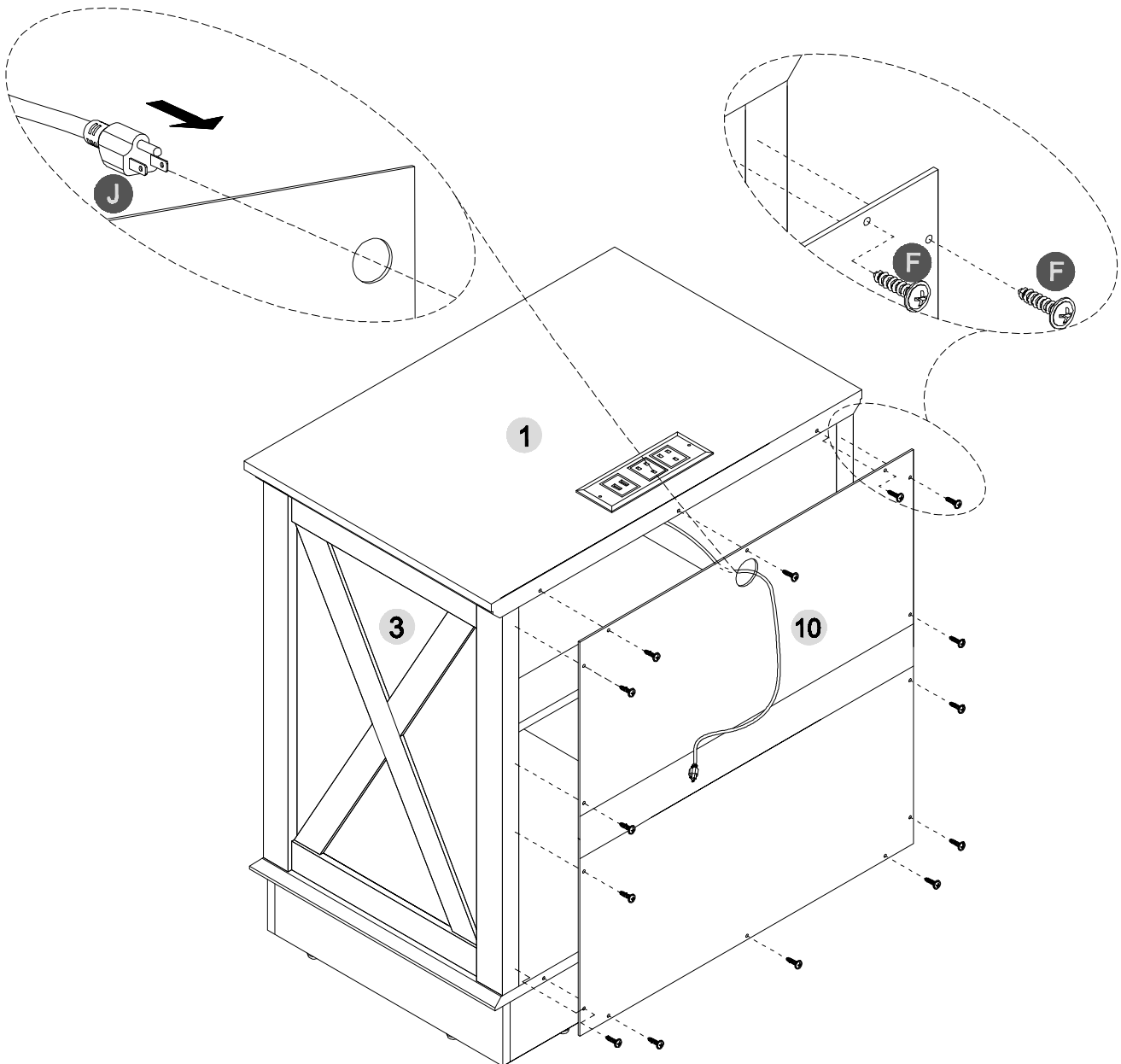
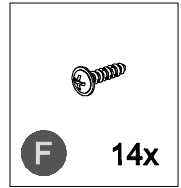


STEP 13

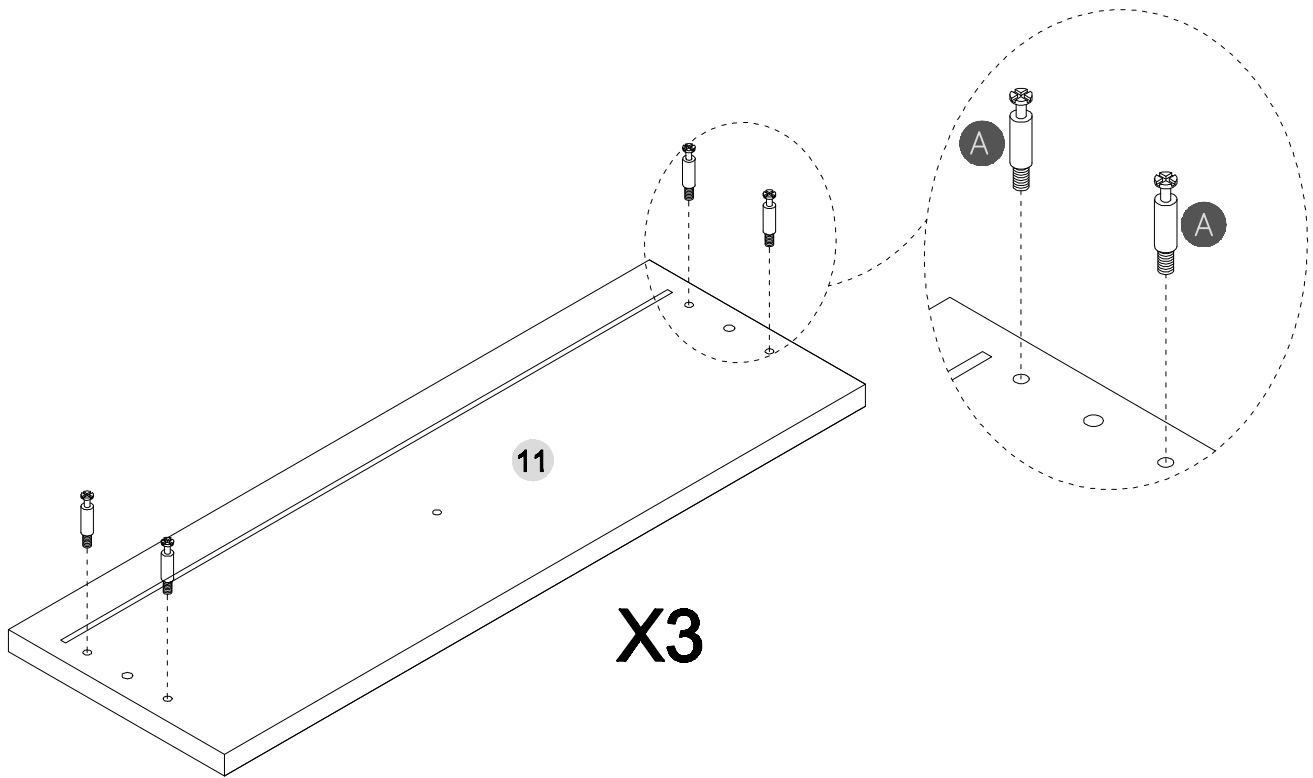
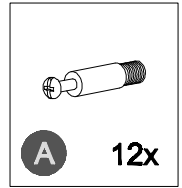
	
E 2x	J 1x



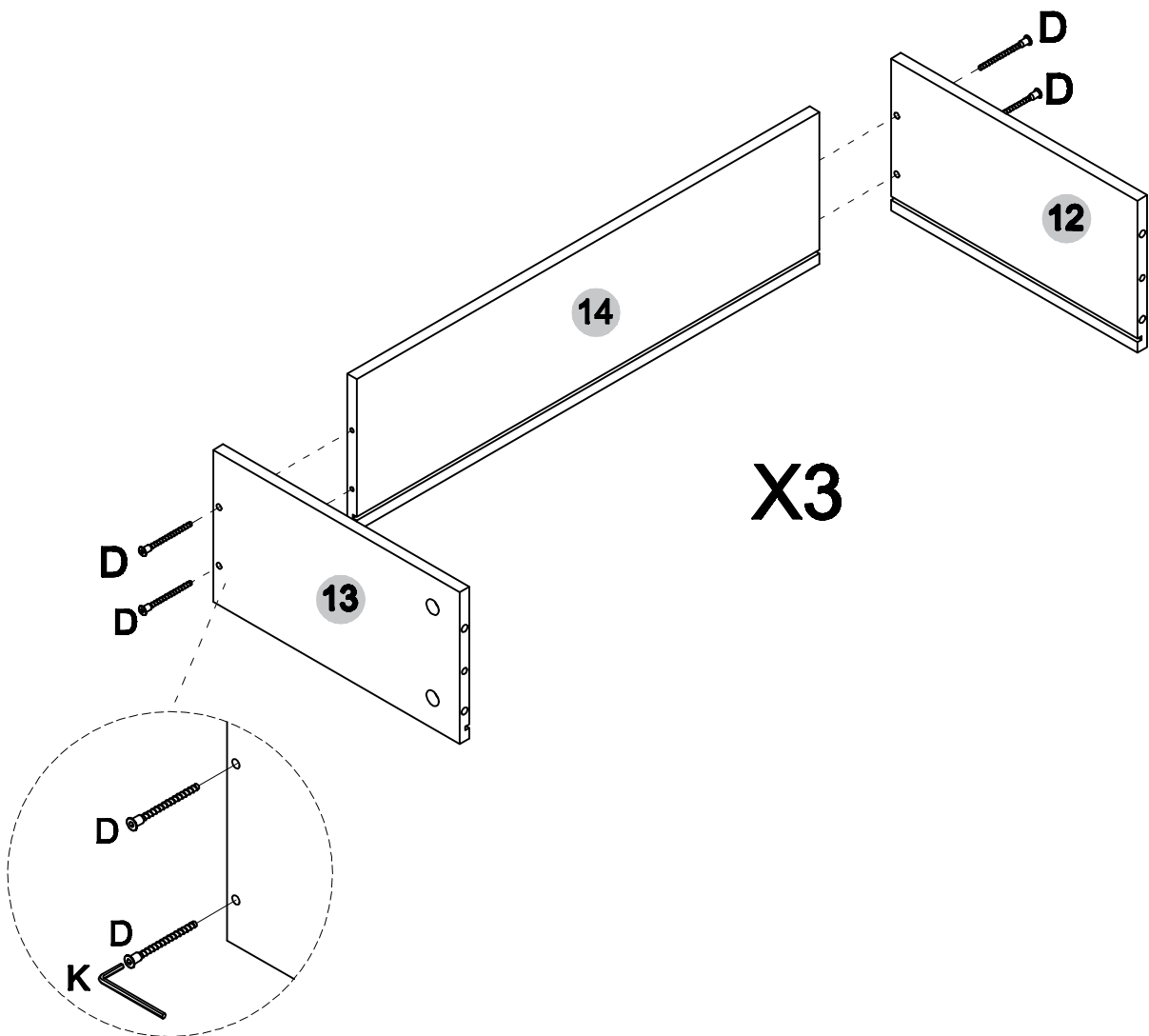
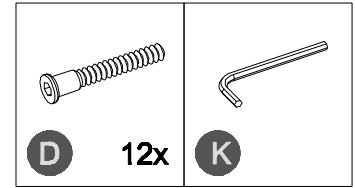
STEP 14



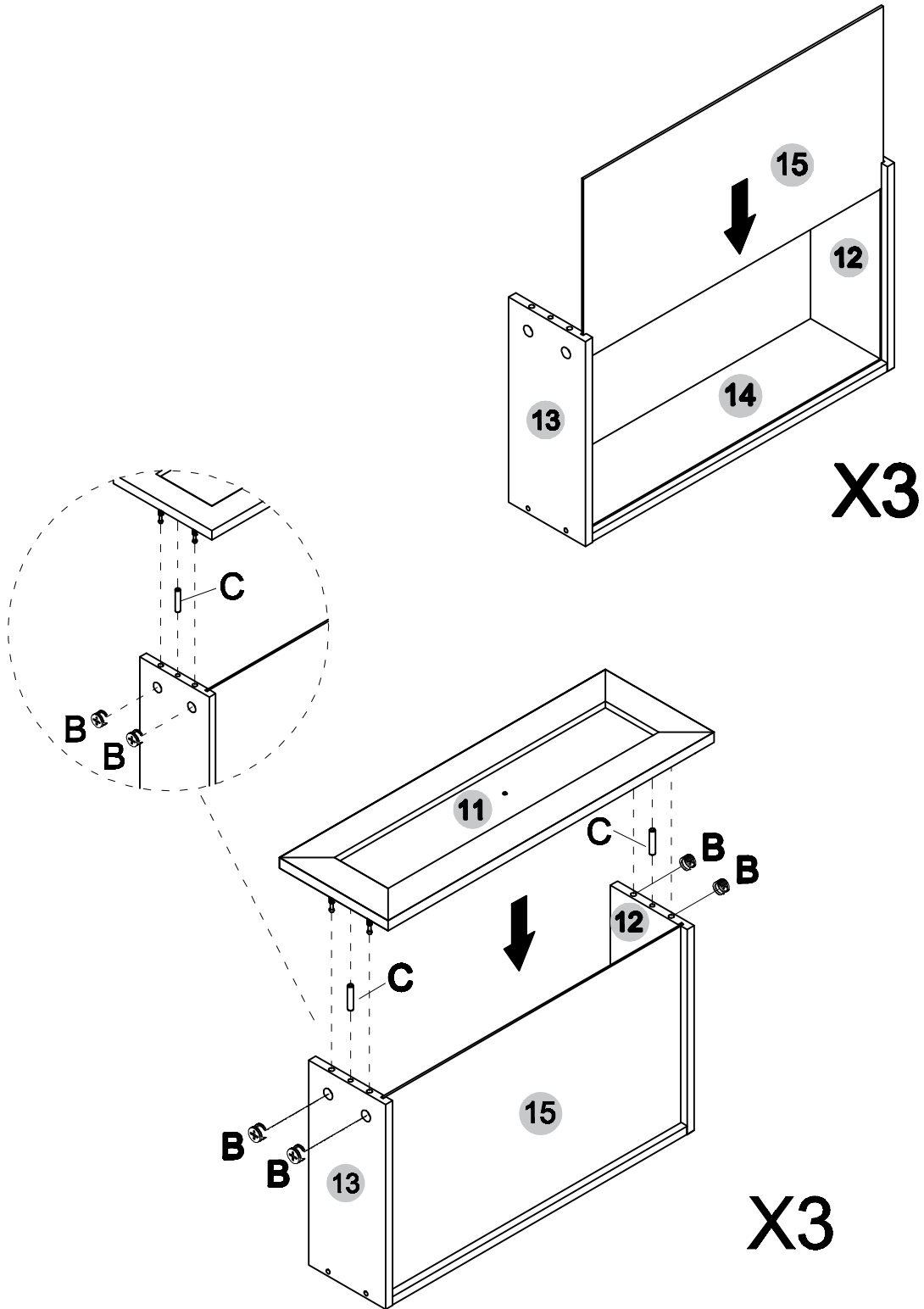
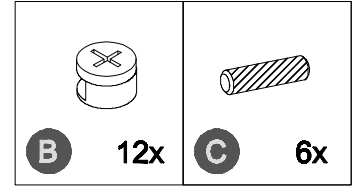
STEP 15



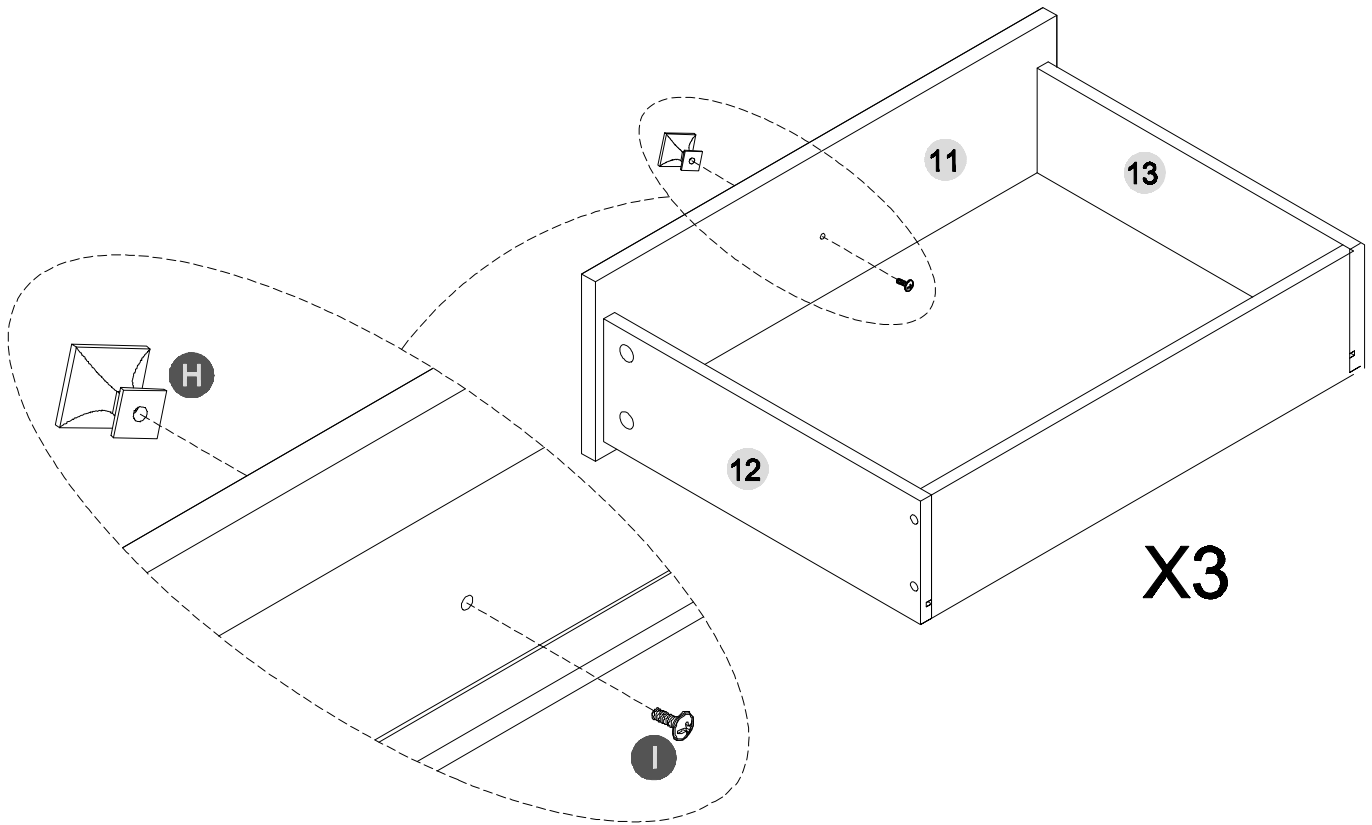
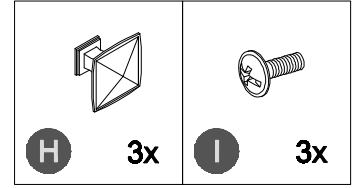
STEP 16




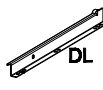
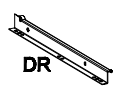
STEP 17

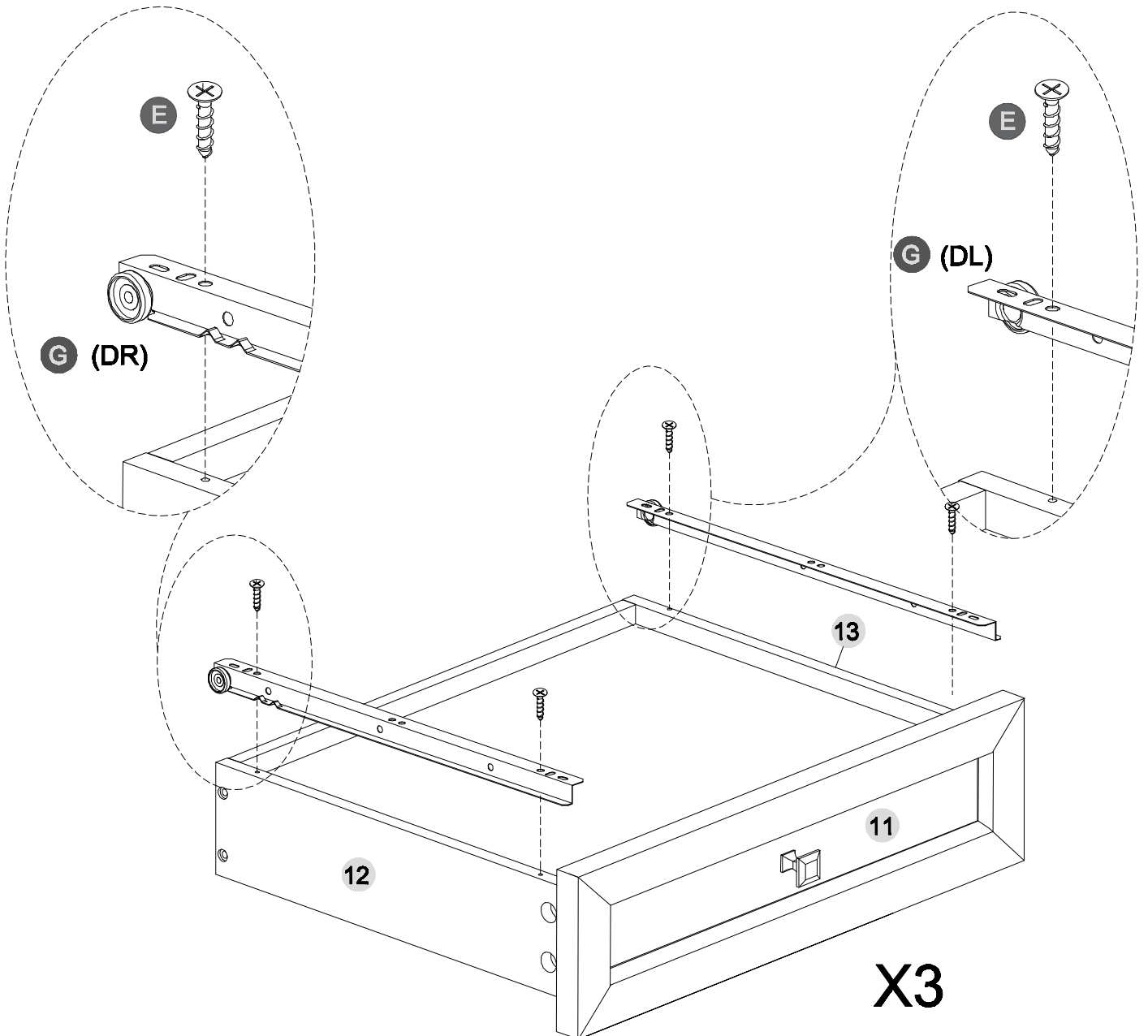
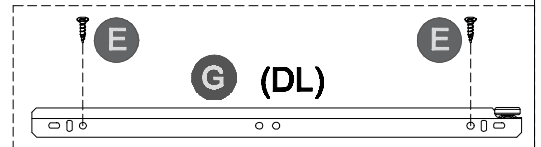


STEP 18



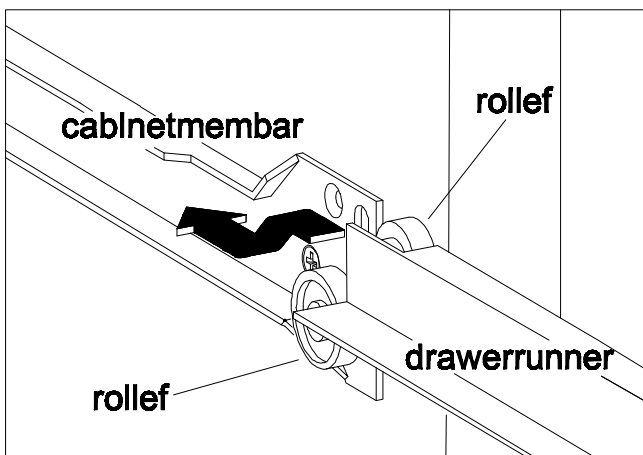
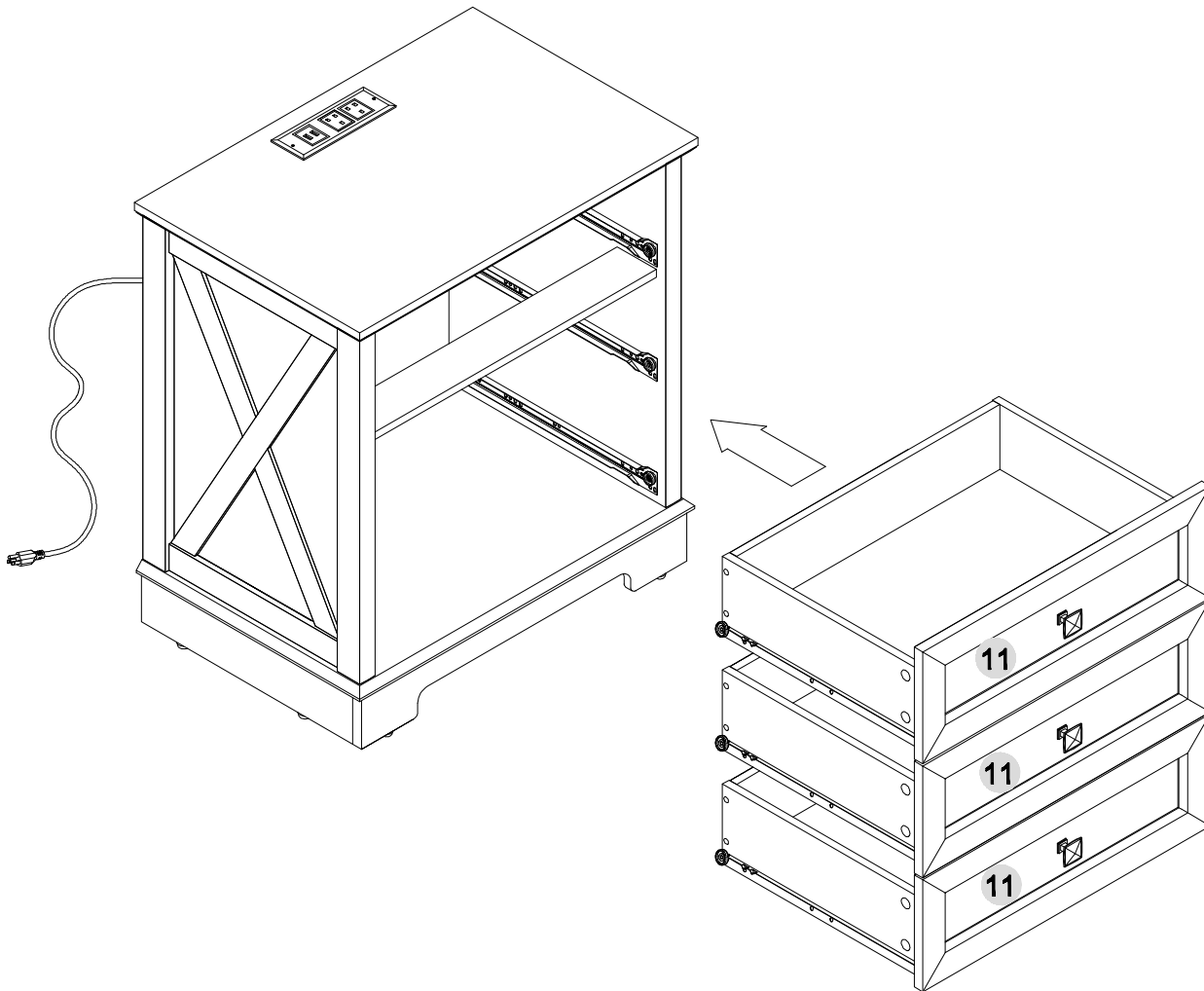
STEP 19

		
E 12x	G 3x	G 3x



STEP 20

Place the drawers in the nightstand



When you put the drawer, please note that the drawer wheels on top of the wheels of the slide, then check whether the drawer is smooth when pulled out. Otherwise, the drawer will not be aligned with other drawers.

STEP 21

Finally, you got a nightstand !

