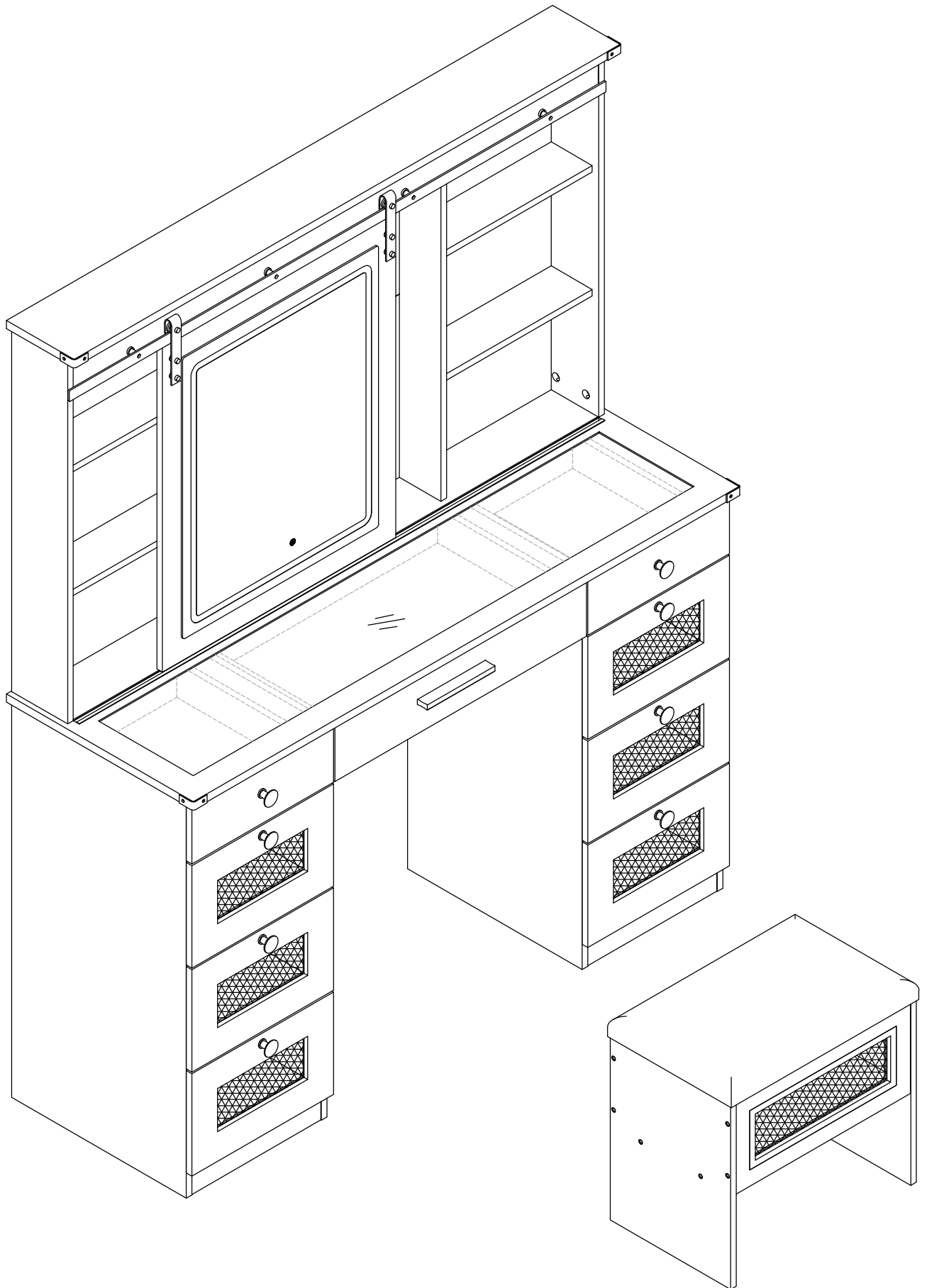
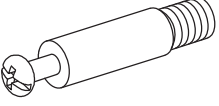
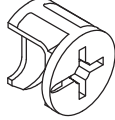
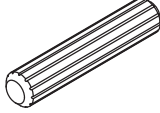
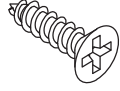
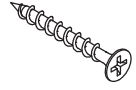
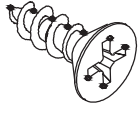
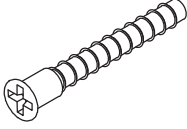
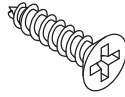


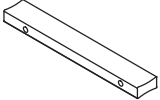

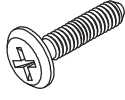
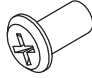



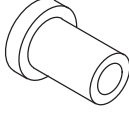
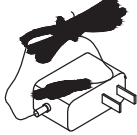
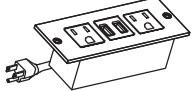
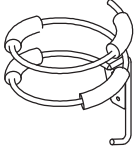

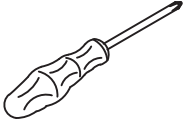



Installation & Assembly



Version:1.1

HARDWARE LIST

<p>A</p>  <p>6×35mm 117(+3)PCS</p>	<p>B</p>  <p>117(+3)PCS</p>	<p>C</p>  <p>6×30mm 20(+2)PCS</p>	<p>D</p>  <p>M3×12mm 72(+2)PCS</p>	<p>E</p>  <p>M3.5×35mm 36(+2) PCS</p>
<p>F</p>  <p>M3.5×12mm 8 PCS</p>	<p>G</p>  <p>M5×40mm 12(+1) PCS</p>	<p>H</p>  <p>M3×14mm 32(+2) PCS</p>	<p>I</p>  <p>15×14×10mm 32(+2) PCS</p>	<p>J</p>  <p>M4×16mm 10(+1) PCS</p>
<p>K</p>  <p>1 PC</p>	<p>L</p>  <p>8 PCS</p>	<p>M</p>  <p>M6×25mm 4 PCS</p>	<p>N</p>  <p>M6×12mm 4 PCS</p>	<p>O</p>  <p>M6×10mm 4 PCS</p>
<p>P</p>  <p>2 PCS</p>	<p>Q</p>  <p>2 PCS</p>	<p>R</p>  <p>4 PCS</p>	<p>S</p>  <p>1 PC</p>	<p>T</p>  <p>1 PC</p>
<p>U</p>  <p>1 PC</p>	<p>V</p>  <p>21×1mm 20(+2) PCS</p>	<p>Y</p>  <p>1 PC</p>	<p>Z</p>  <p>1 PC</p>	

W



DL L300

9PCS



DR L300

9PCS



CL L300

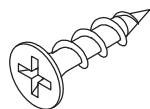
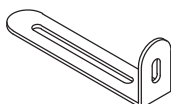
9PCS



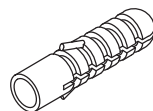
CR L300

9PCS

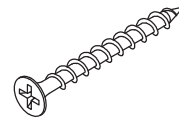
X



M3×15mm

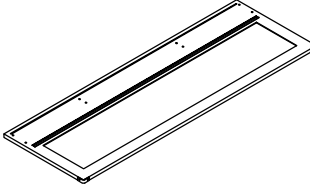
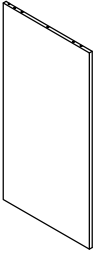
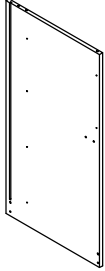
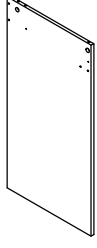
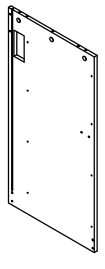
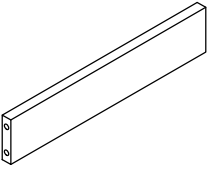
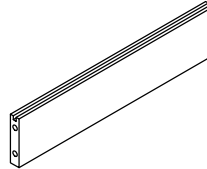

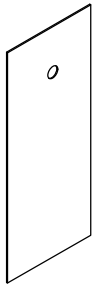
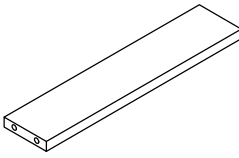
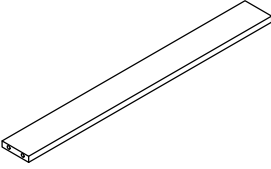
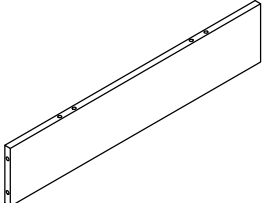
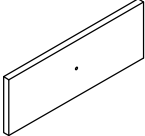
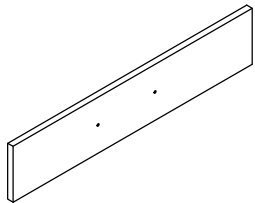
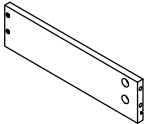
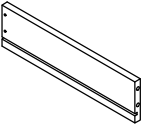
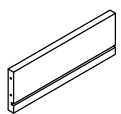
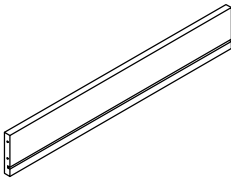
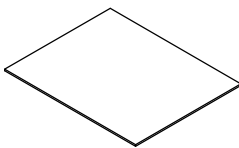
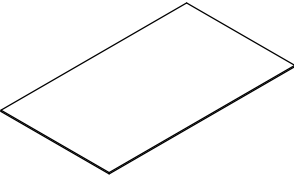
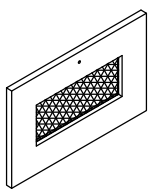
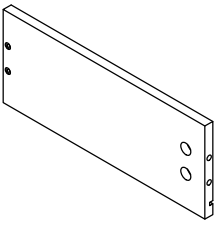
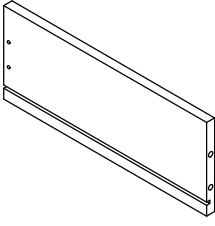
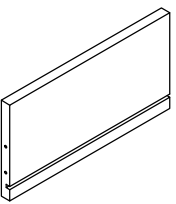


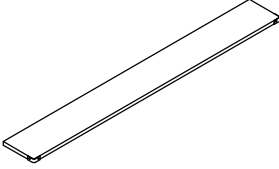


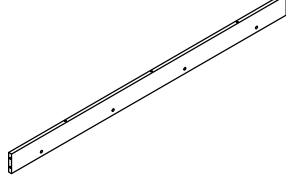
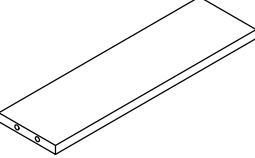
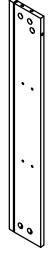

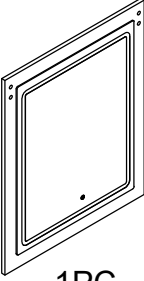
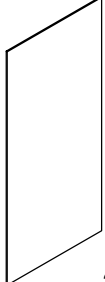
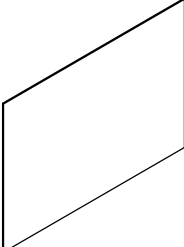
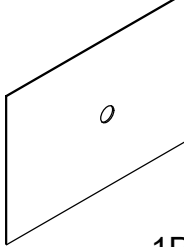
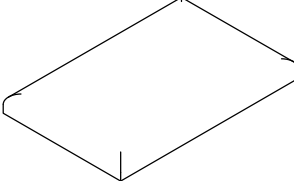
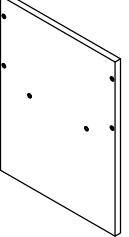
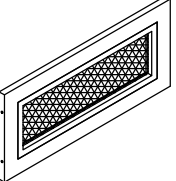
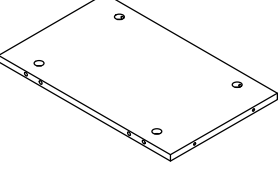
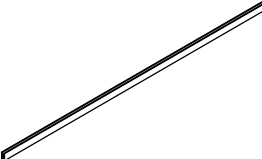
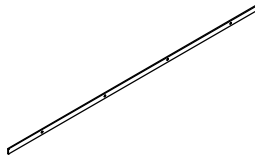
2PCS

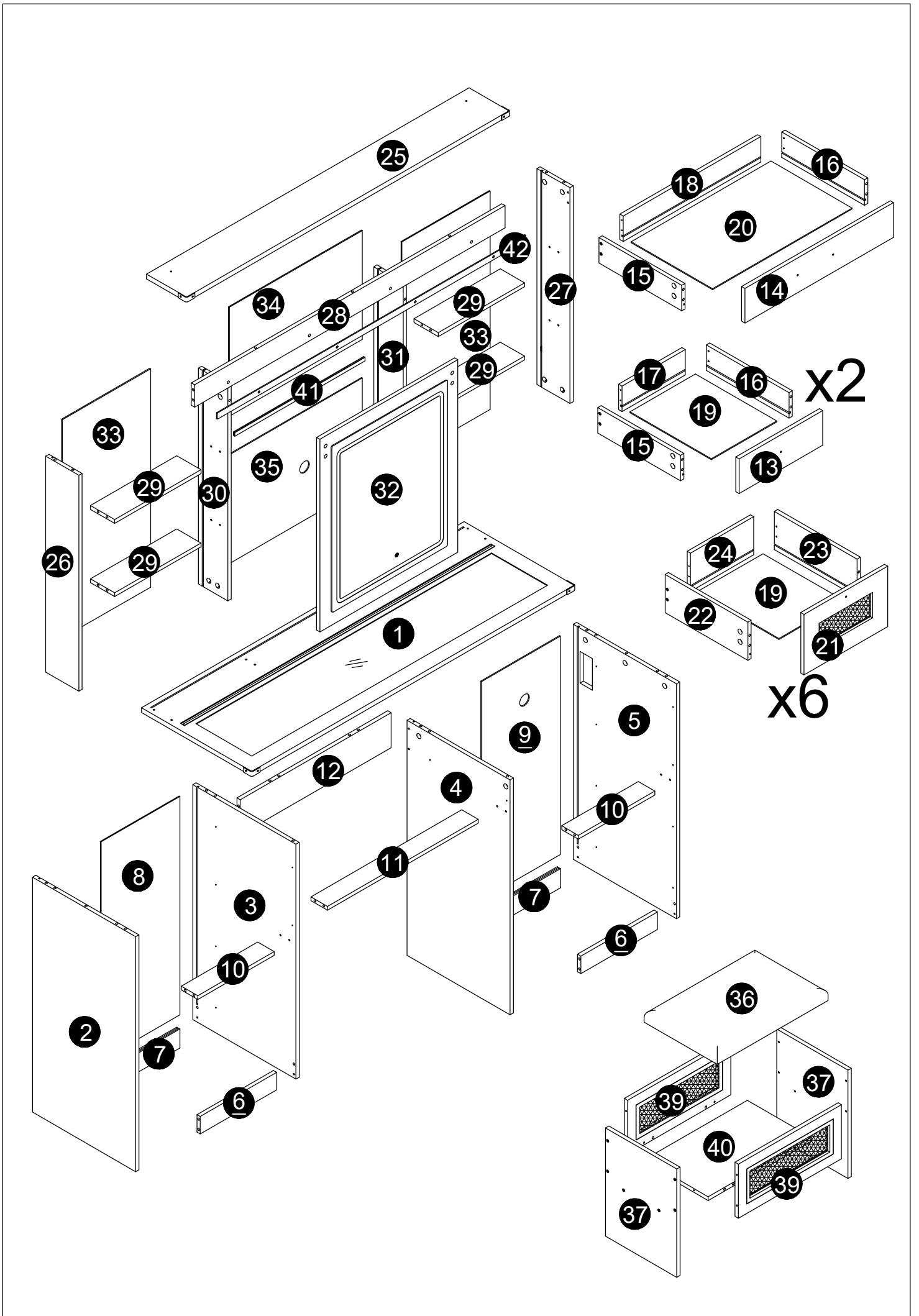


M3×35mm

PANEL LIST

<p>1</p>  <p>1PC</p>	<p>2</p>  <p>1PC</p>	<p>3</p>  <p>1PC</p>	<p>4</p>  <p>1PC</p>
<p>5</p>  <p>1PC</p>	<p>6</p>  <p>2PCS</p>	<p>7</p>  <p>2PCS</p>	<p>8</p>  <p>1PC</p>
<p>9</p>  <p>1PC</p>	<p>10</p>  <p>2PCS</p>	<p>11</p>  <p>1PC</p>	<p>12</p>  <p>1PC</p>
<p>13</p>  <p>2PCS</p>	<p>14</p>  <p>1PC</p>	<p>15</p>  <p>3PCS</p>	<p>16</p>  <p>3PCS</p>
<p>17</p>  <p>2PCS</p>	<p>18</p>  <p>1PC</p>	<p>19</p>  <p>8PCS</p>	<p>20</p>  <p>1PC</p>
<p>21</p>  <p>6PCS</p>	<p>22</p>  <p>6PCS</p>	<p>23</p>  <p>6PCS</p>	<p>24</p>  <p>6PCS</p>

<p>25</p>  <p>1PC</p>	<p>26</p>  <p>1PC</p>	<p>27</p> 	<p>28</p>  <p>1PC</p>
<p>29</p>  <p>4 PCS</p>	<p>30</p>  <p>1PC</p>	<p>31</p>  <p>1PC</p>	<p>32</p>  <p>1PC</p>
<p>33</p>  <p>2PCS</p>	<p>34</p>  <p>1PC</p>	<p>35</p>  <p>1PC</p>	<p>36</p>  <p>1PC</p>
<p>37</p>  <p>2PCS</p>	<p>39</p>  <p>2PCS</p>	<p>40</p>  <p>1PC</p>	<p>41</p>  <p>1PC</p>
<p>42</p>  <p>1PC</p>			

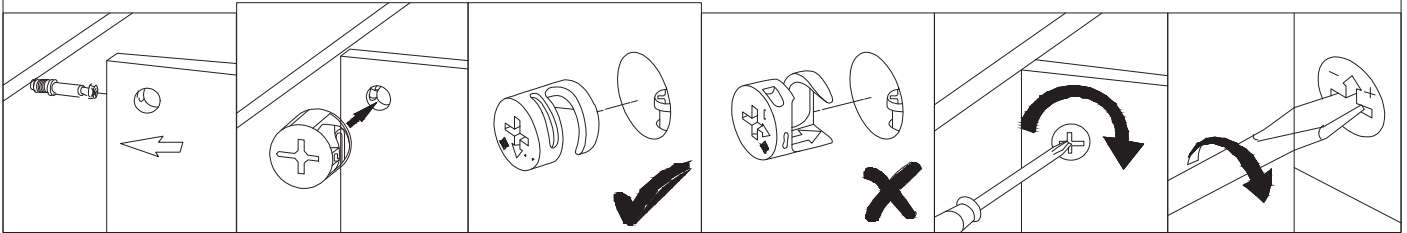
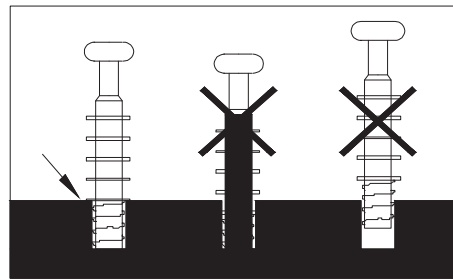


TIPS

1. When installing the product, use a soft surface (such as carpet or cardboard) to avoid scratching or damaging the surface of the product.
2. Please try to use a manual screwdriver instead of electric screw driver. A manual screwdriver can be used to better control the tightness of the screws.
3. Do not use any glue.
4. The product is unstable before it is assembled. Please pay attention to the product installation sequence, and align all screws and screw holes before tightening.
5. The structure of this product can not meet the requirements of children climbing.





Installation method of three
in one rod and buckle

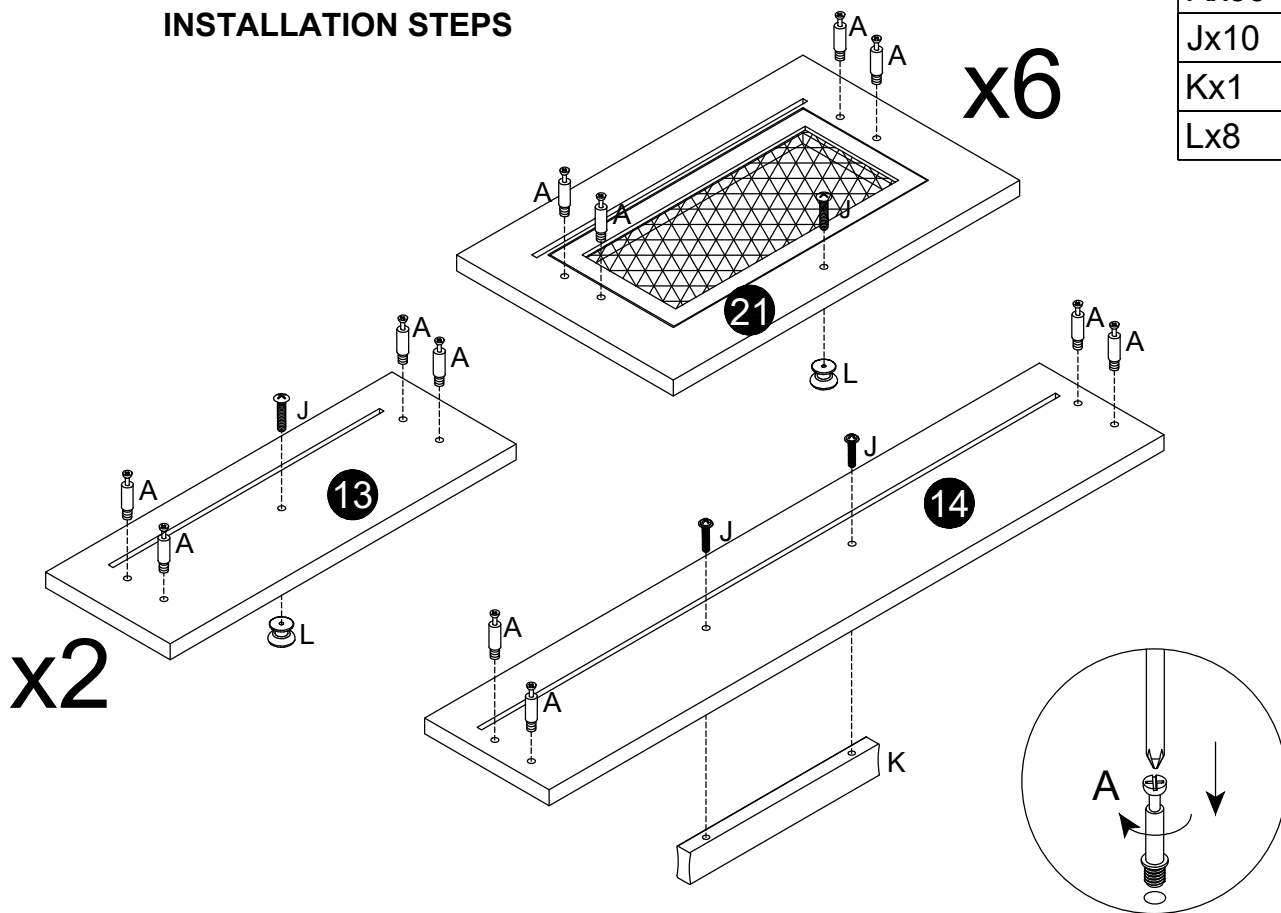
Note: There is a hole at the triangular mark




01

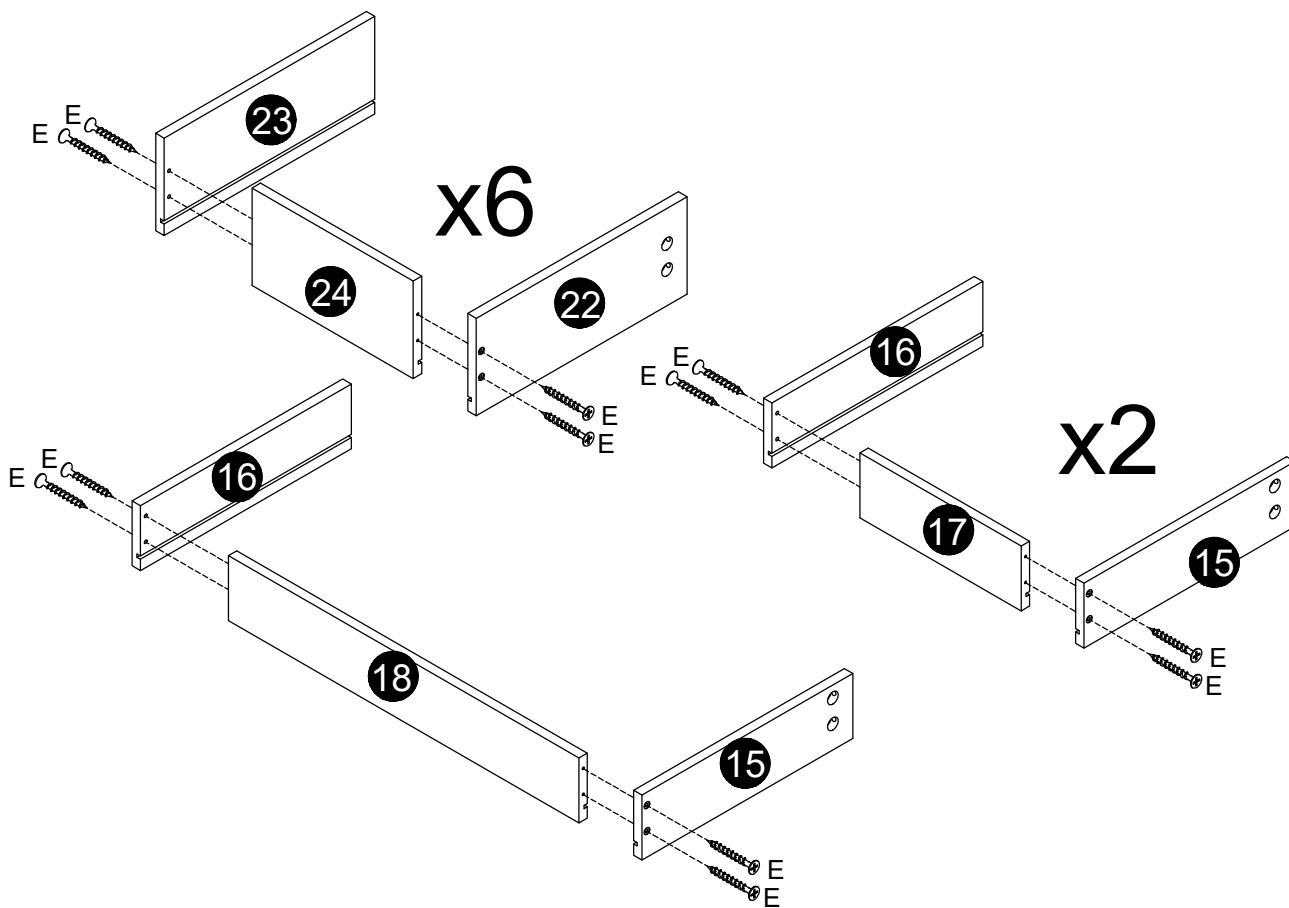
INSTALLATION STEPS

Ax36	
Jx10	
Kx1	
Lx8	

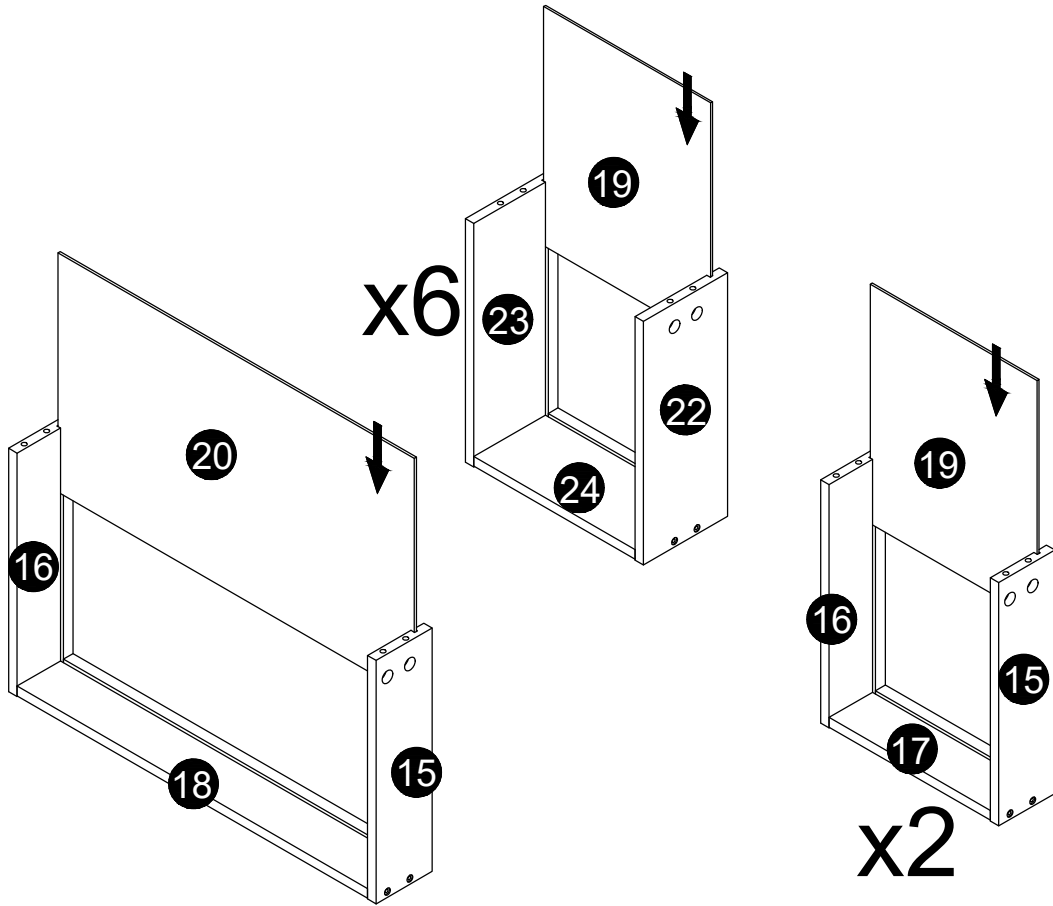


02

Ex36 

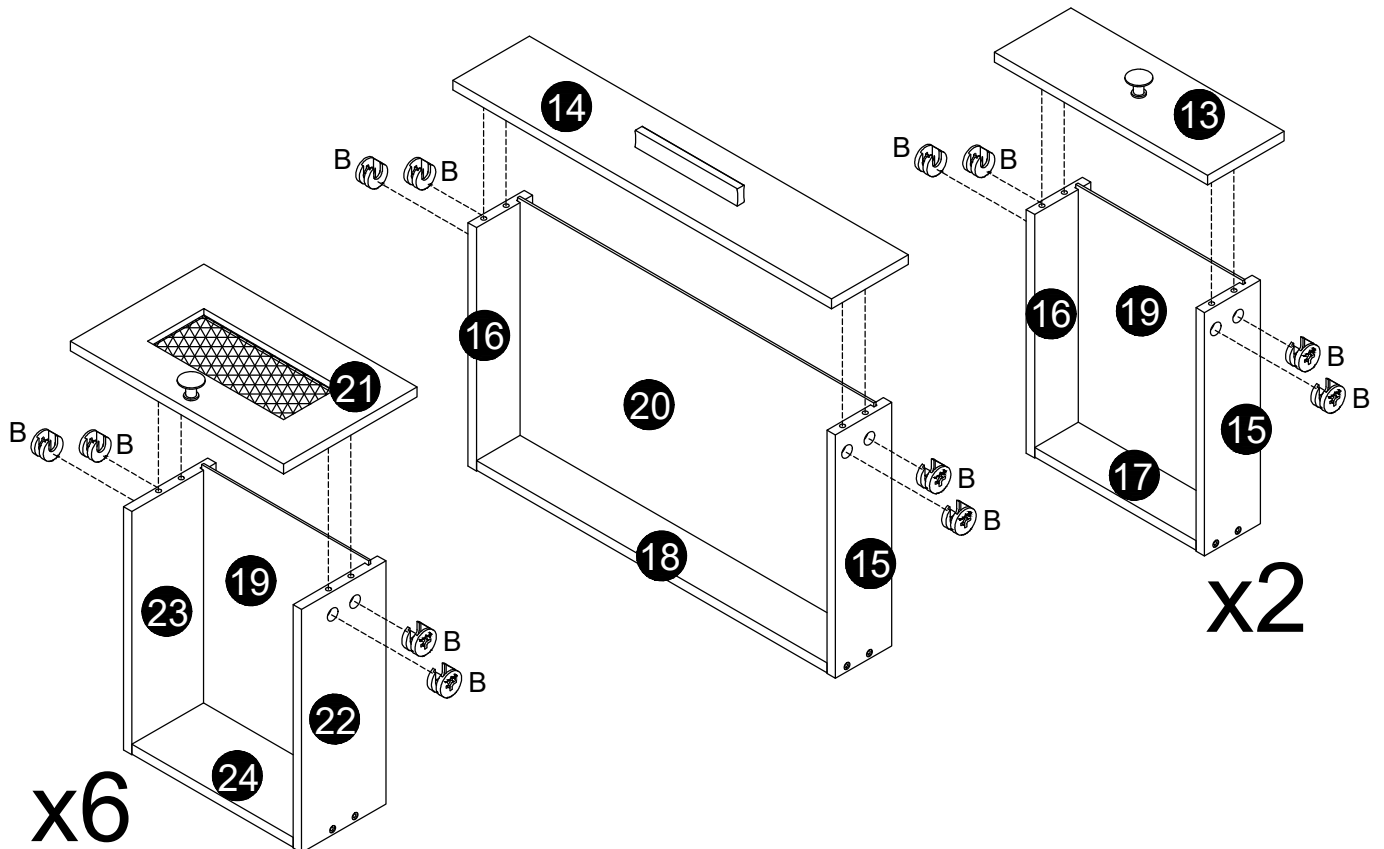


03






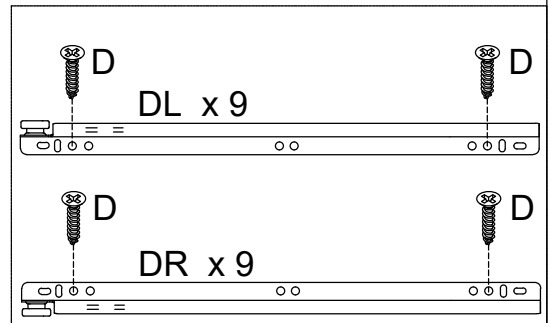
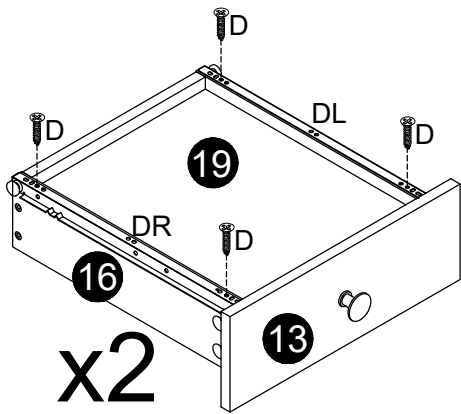
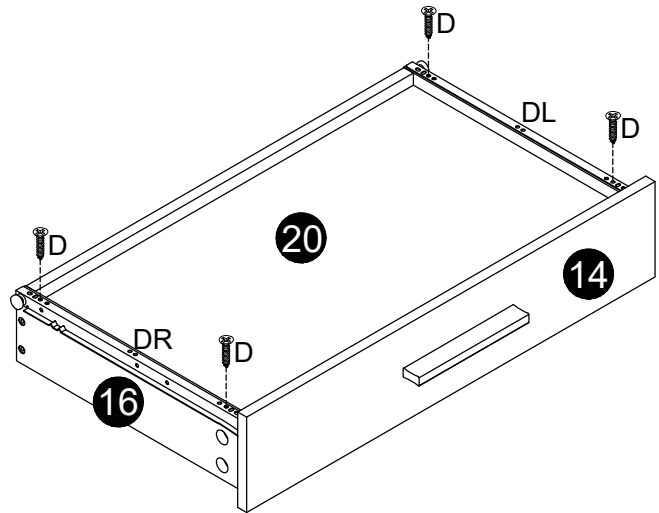
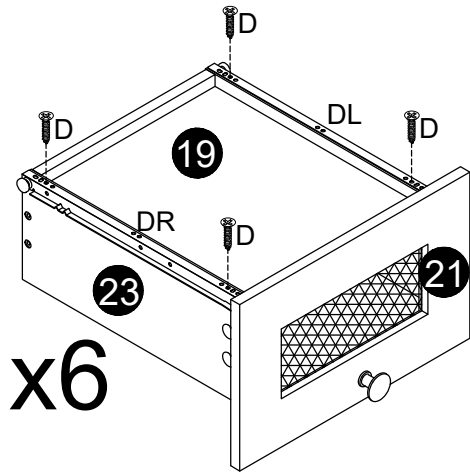
04

Bx36



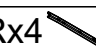



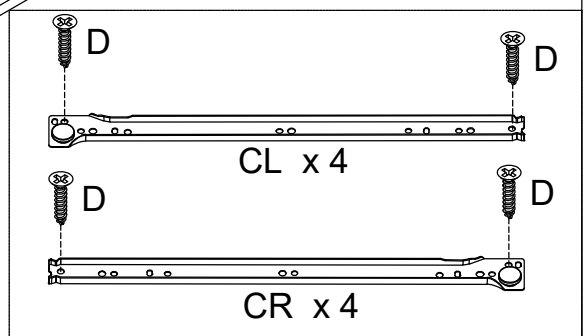
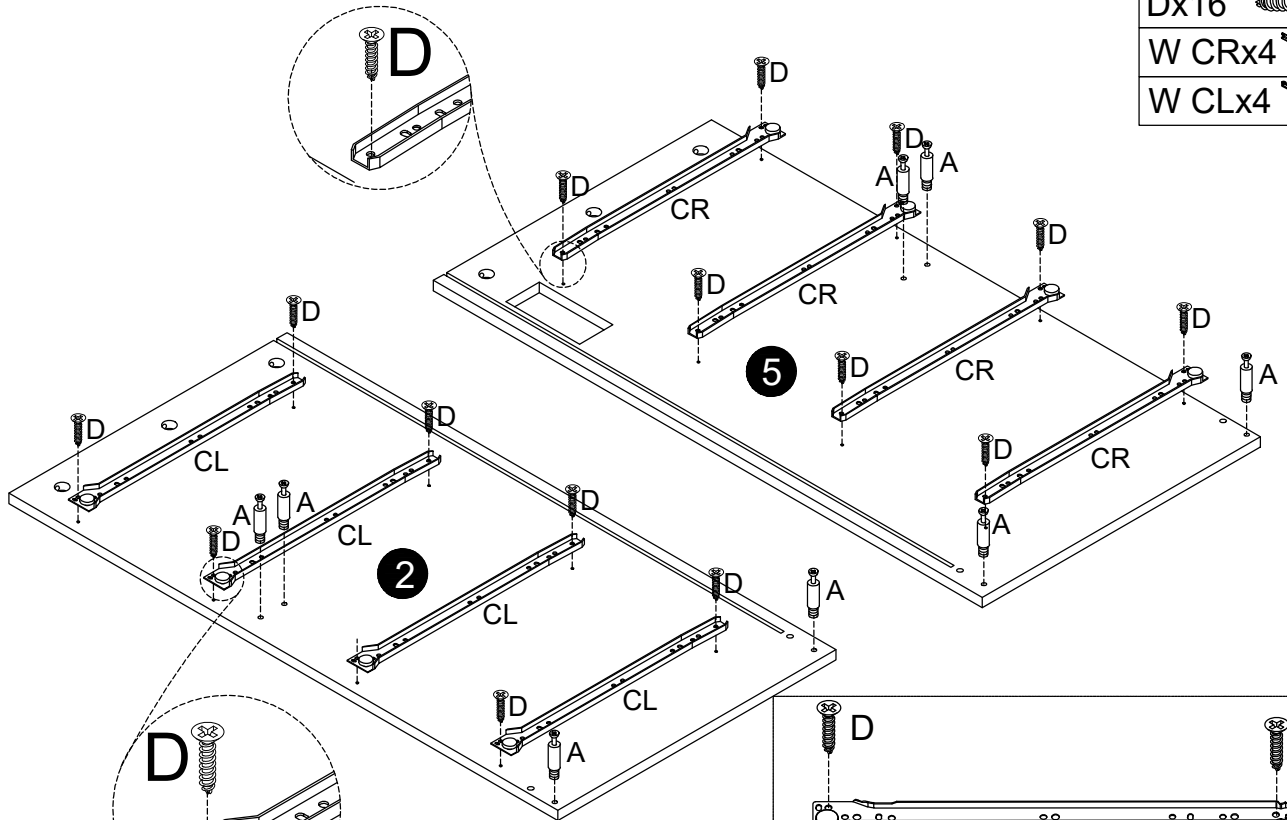
05

- Dx36 
- W DRx9 
- W DLx9 

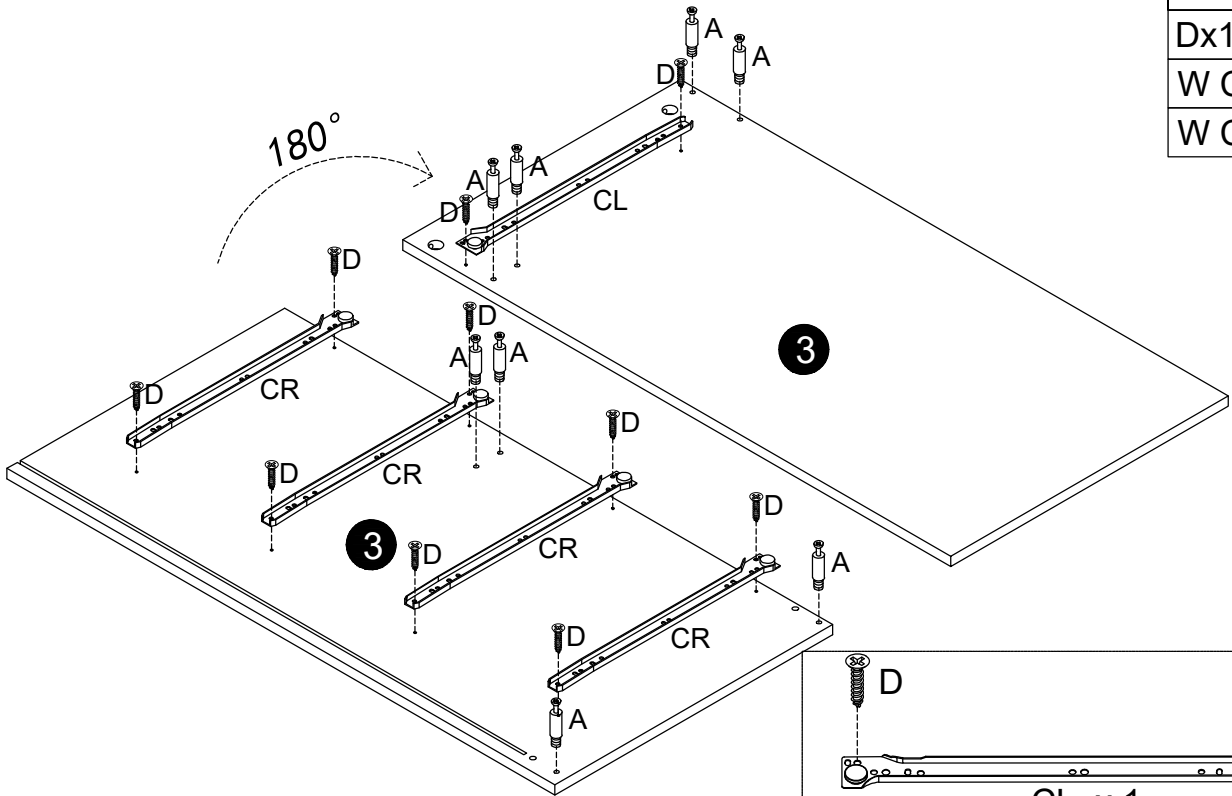






06

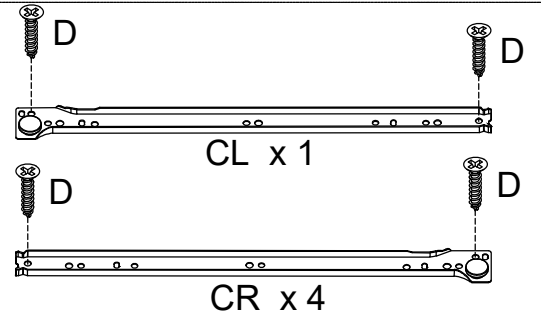
- Ax8 
- Dx16 
- W CRx4 
- W CLx4 



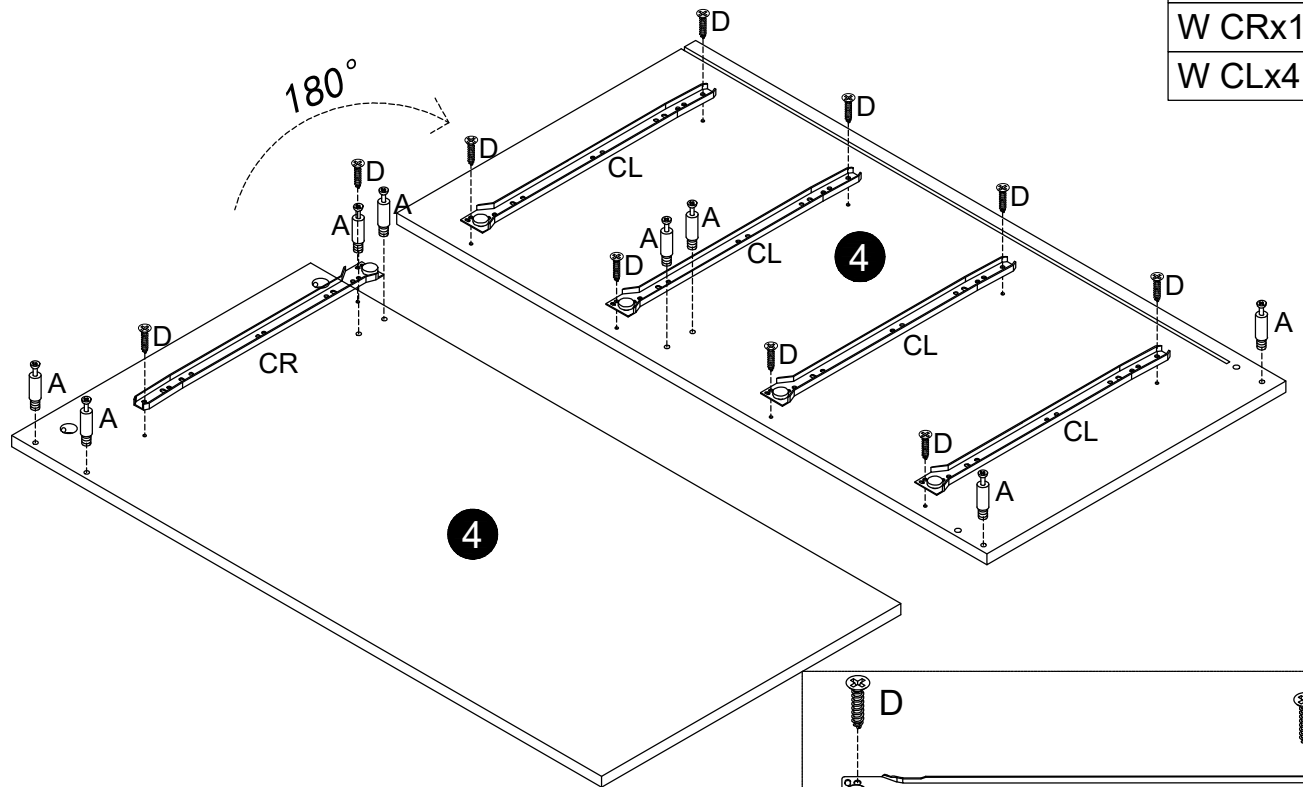
07







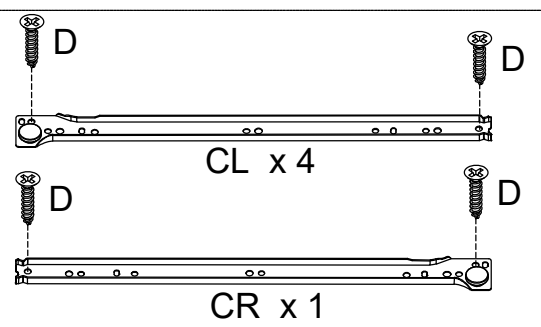
- Ax8 
- Dx10 
- W CRx4 
- W CLx1 





08

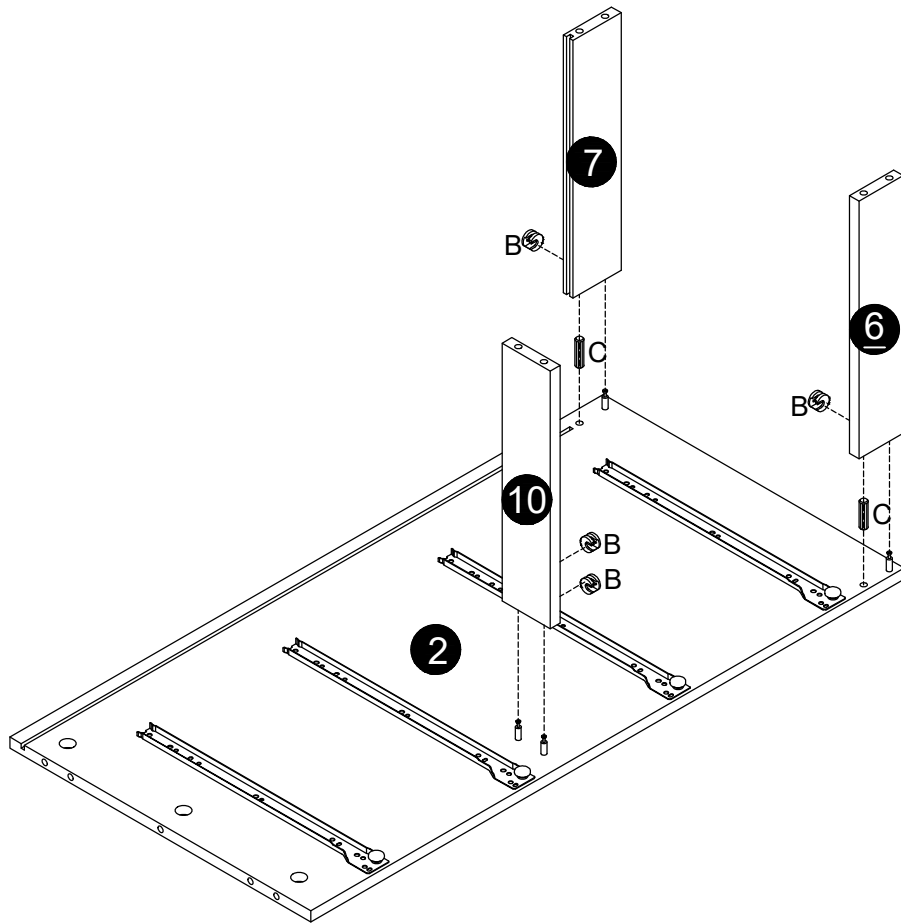


- Ax8 
- Dx10 
- W CRx1 
- W CLx4 





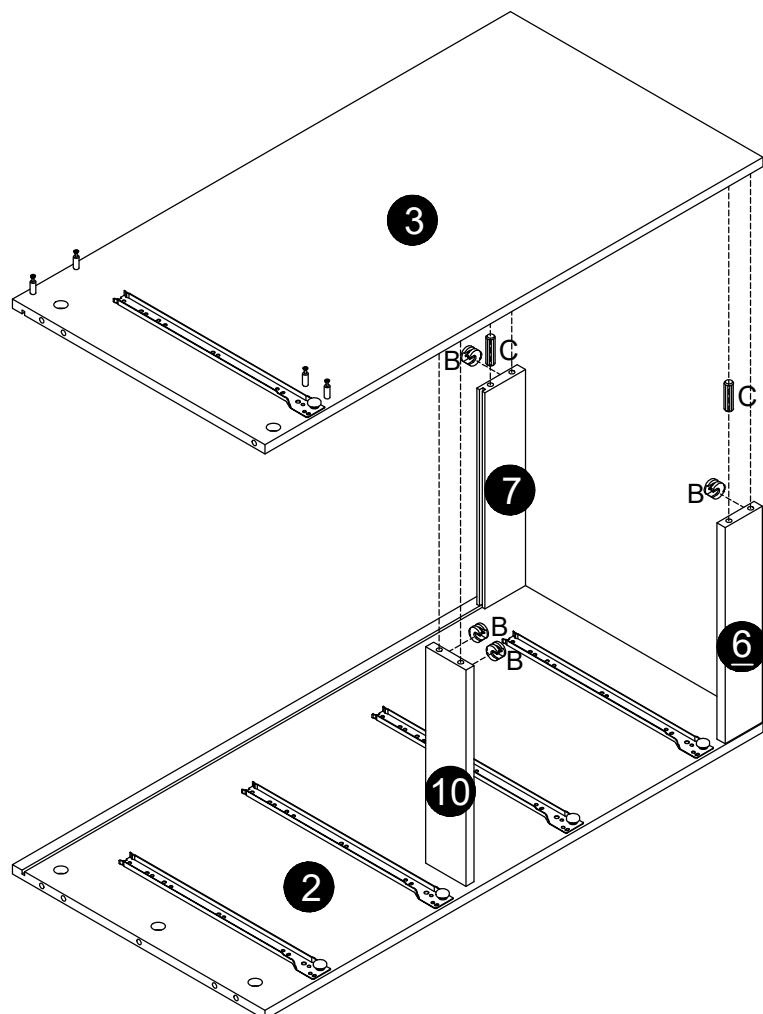
09

Bx4 
Cx2 





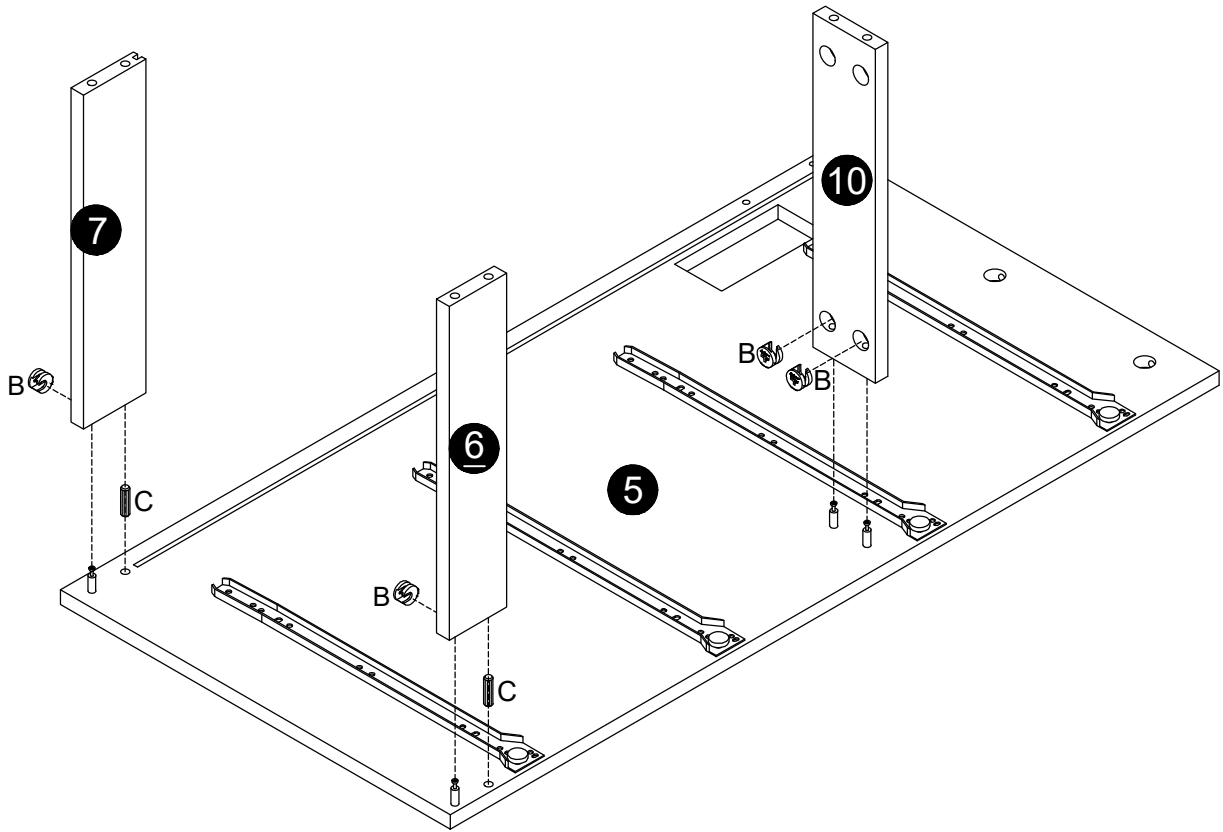
10

Bx4 
Cx2 





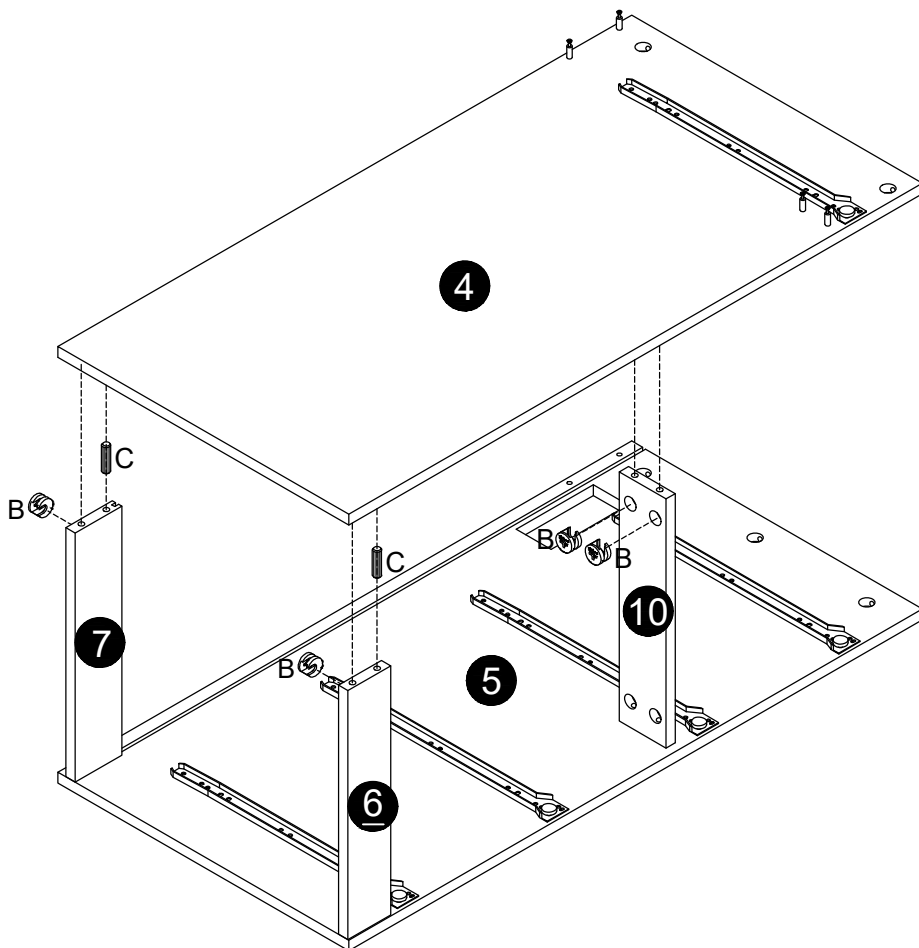
11

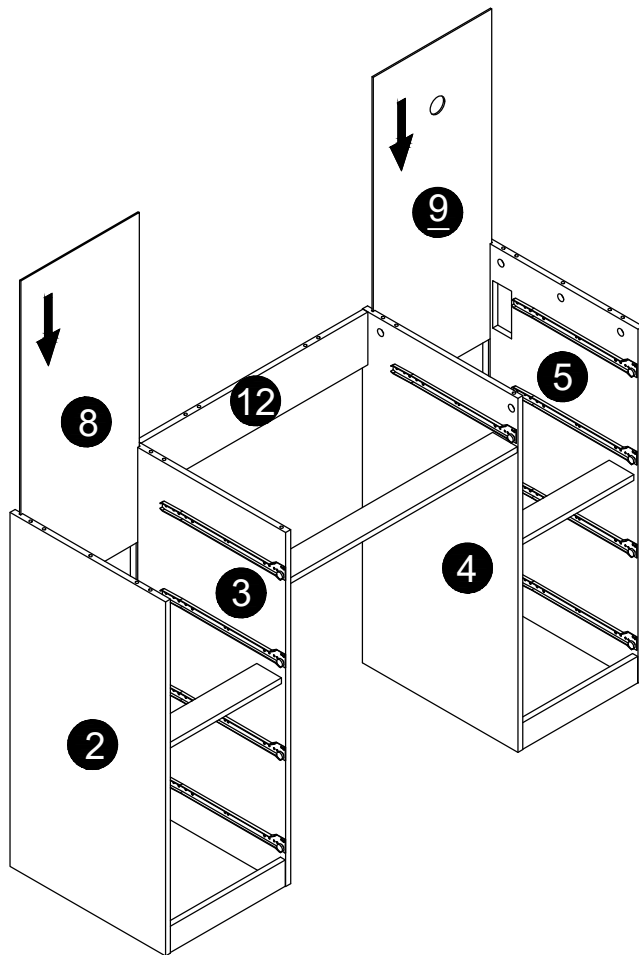
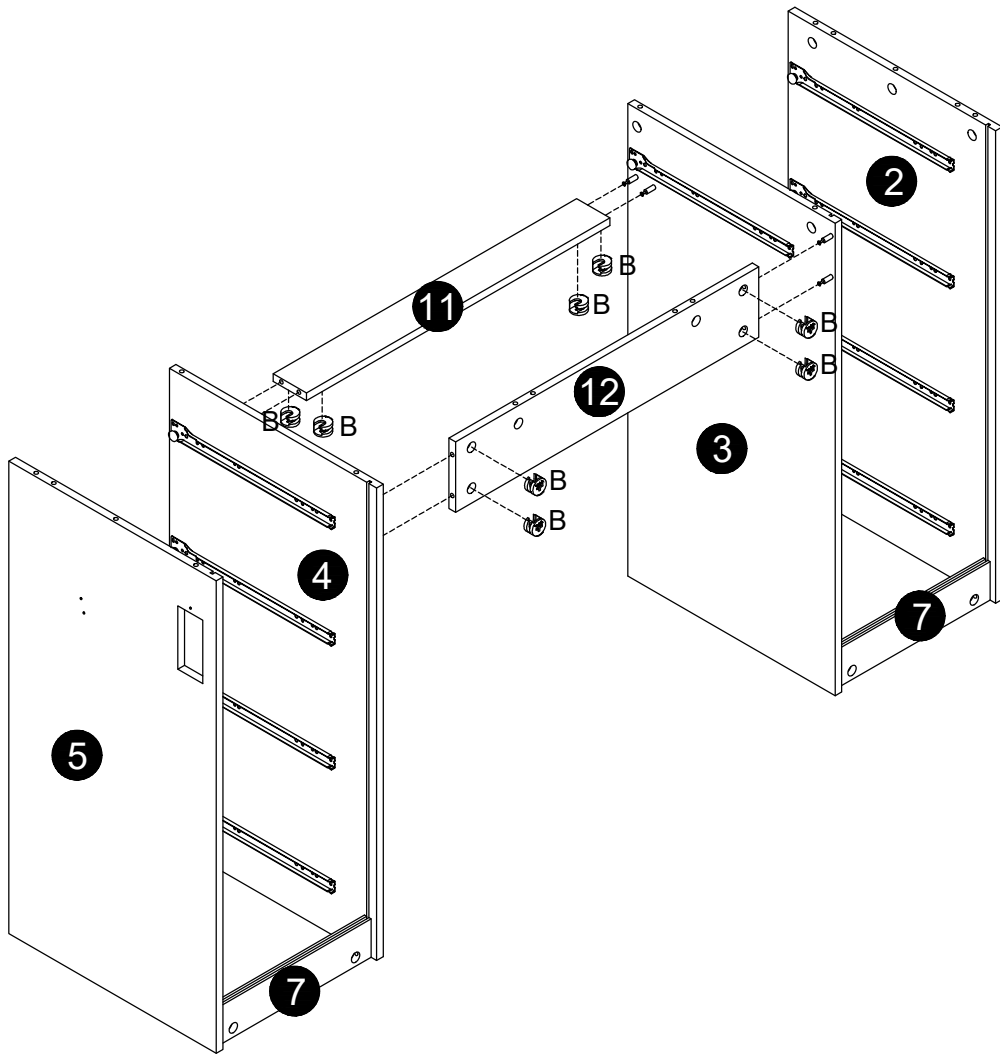
Bx4 
Cx2 




12

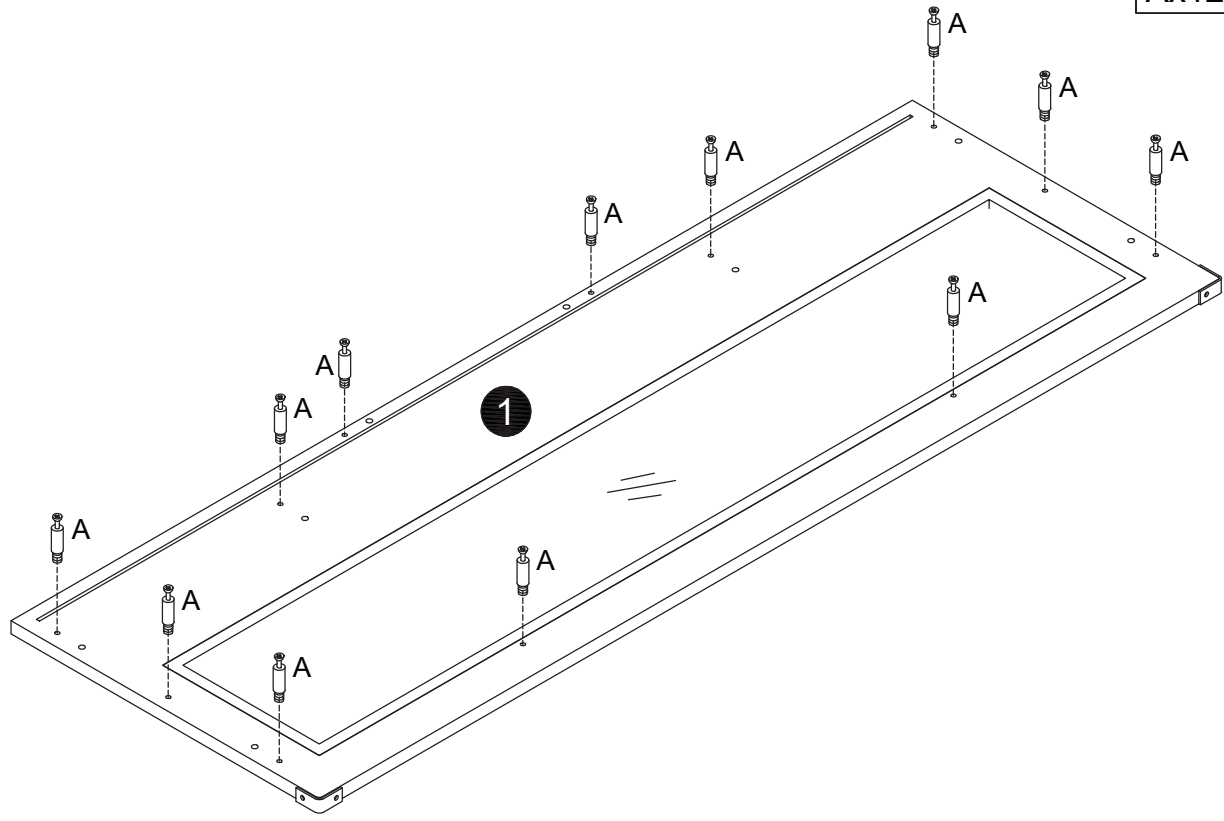
Bx4 
Cx2 







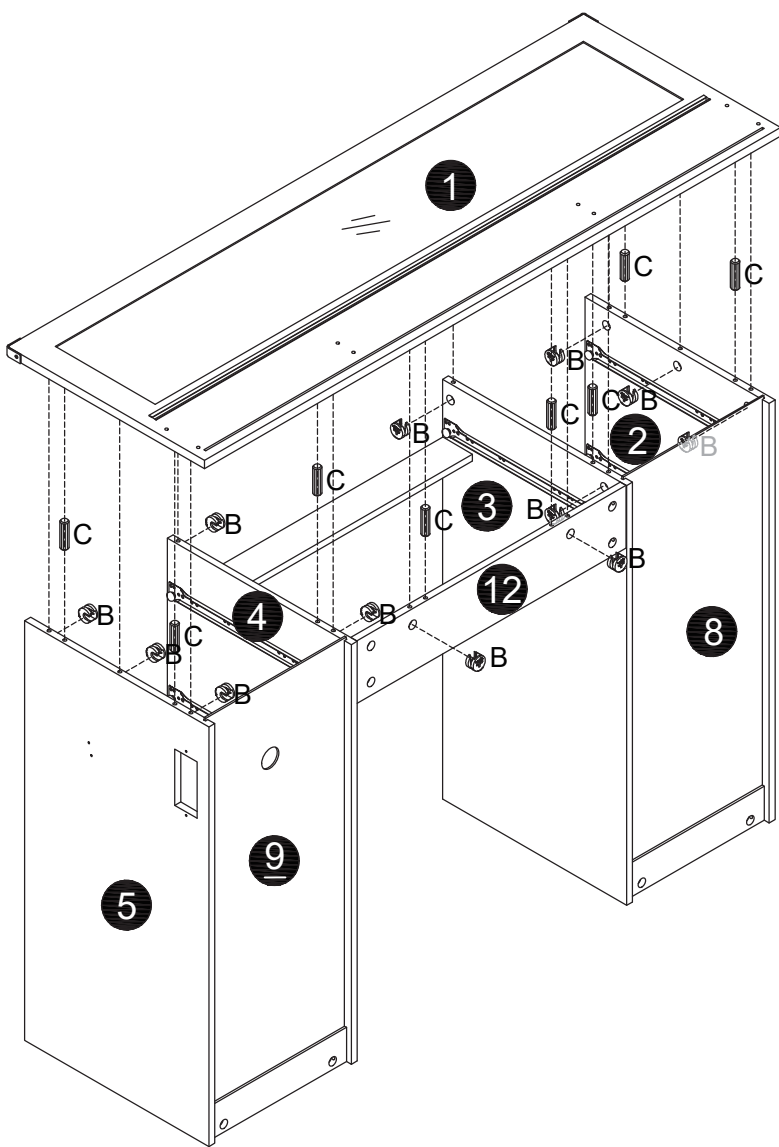
15

Ax12 




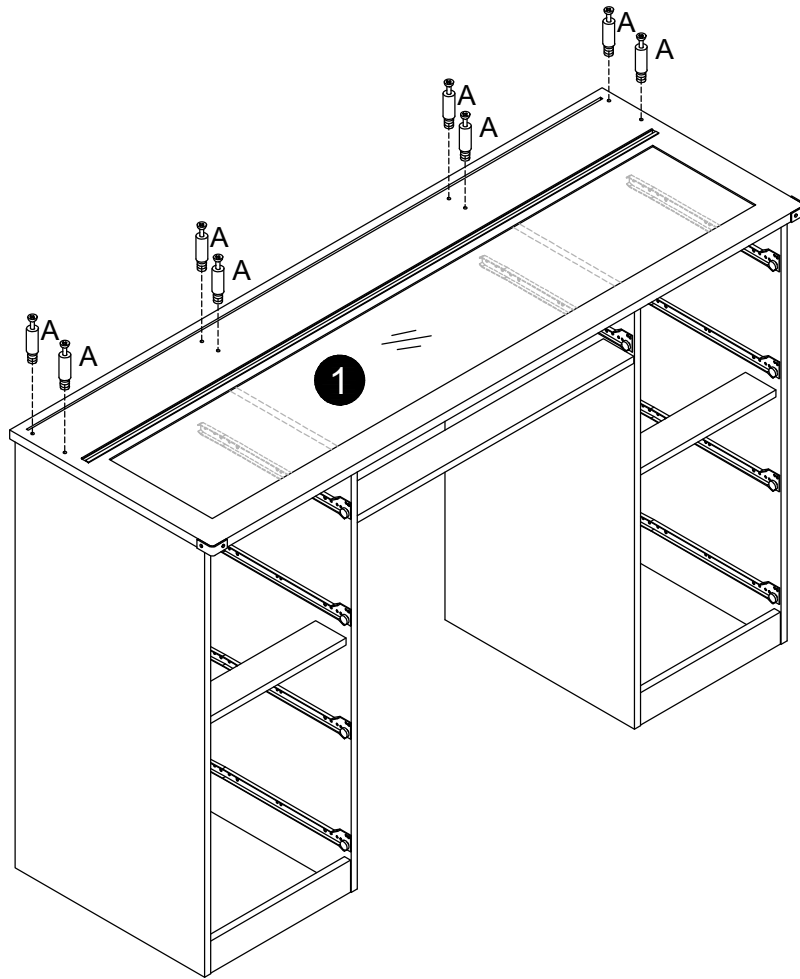
16

Bx12 
Cx8 



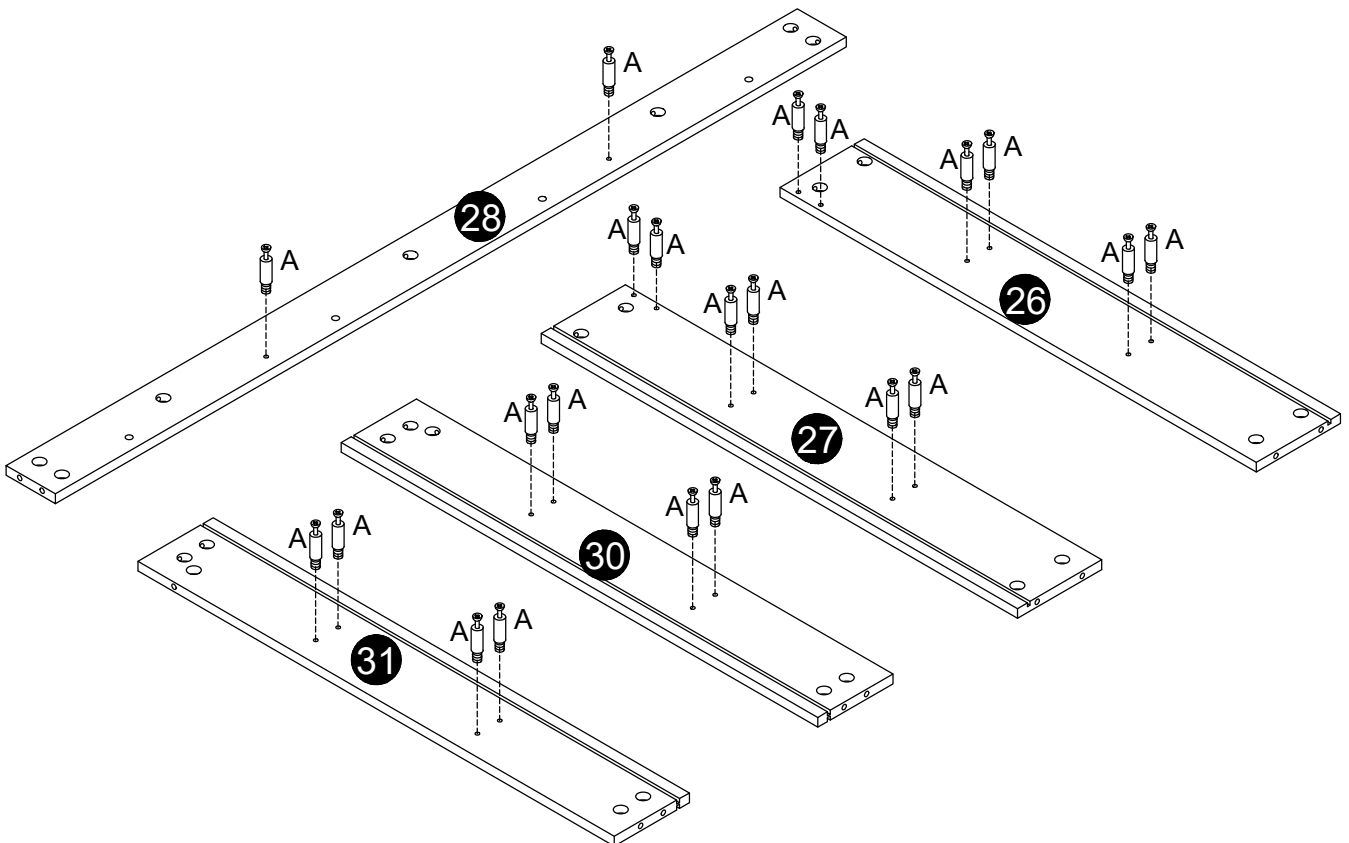
17

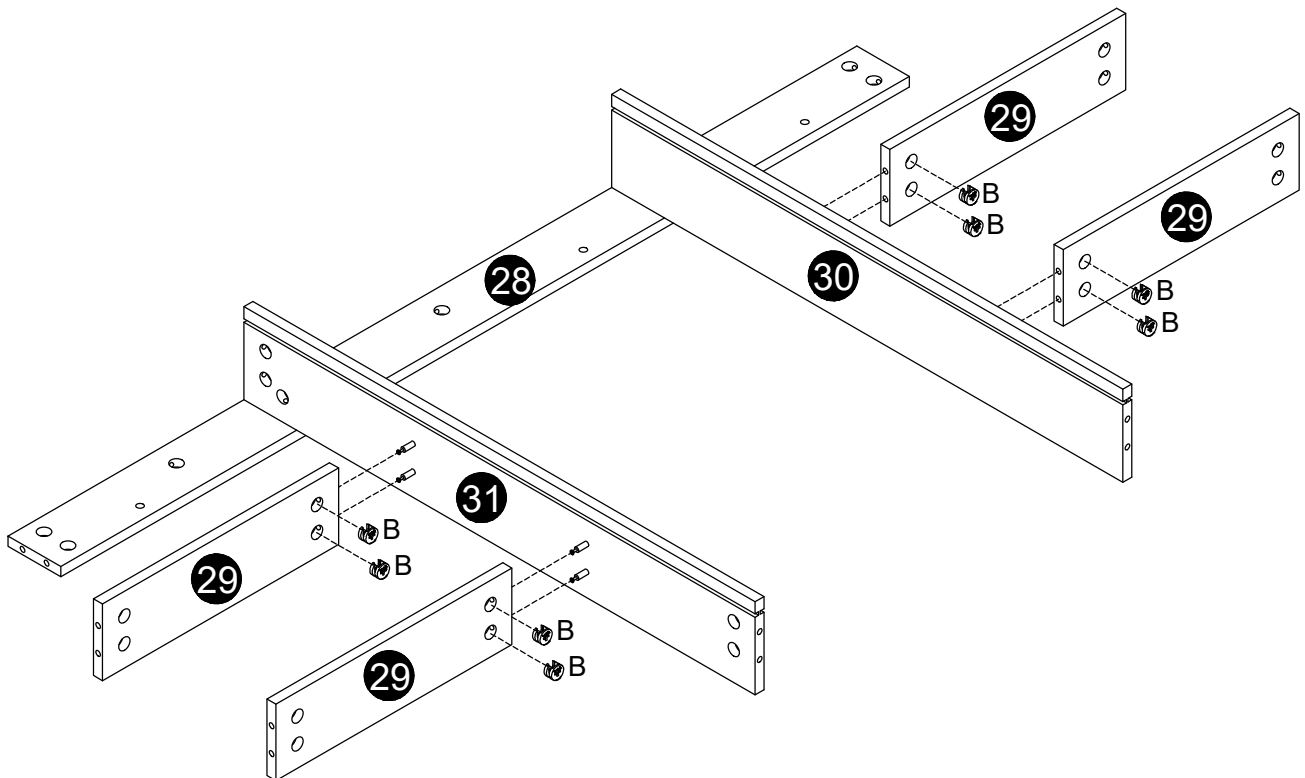
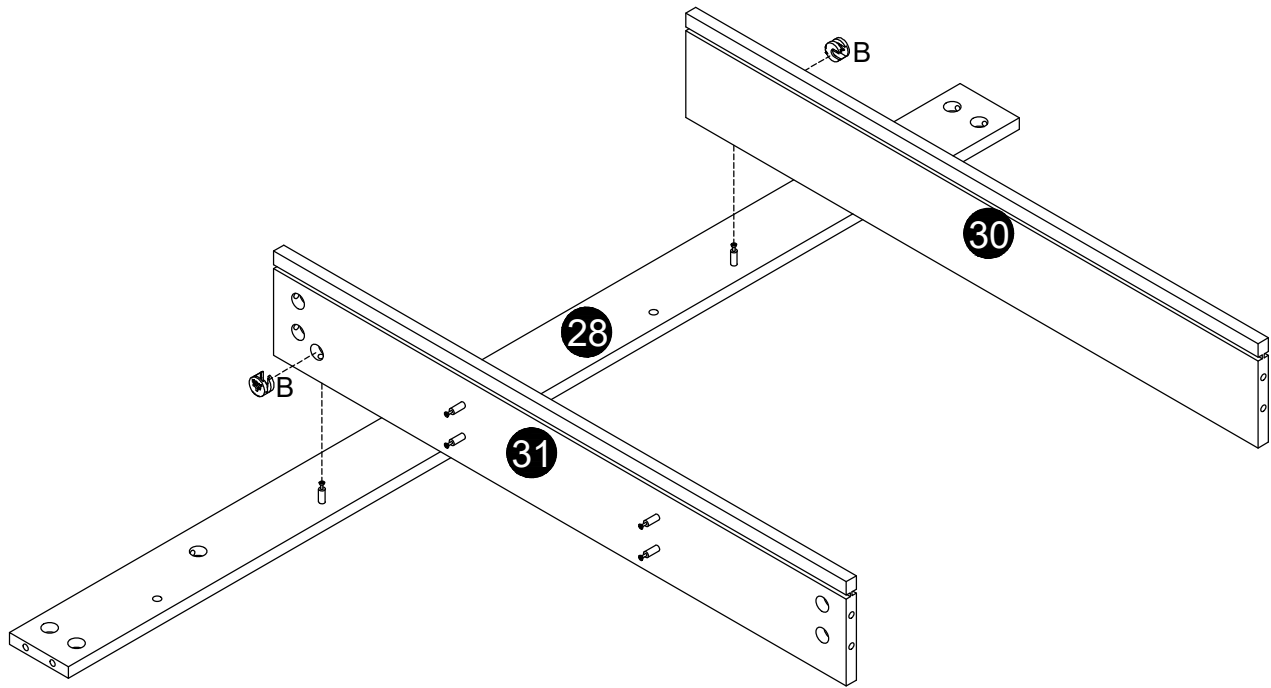
Ax8 




18

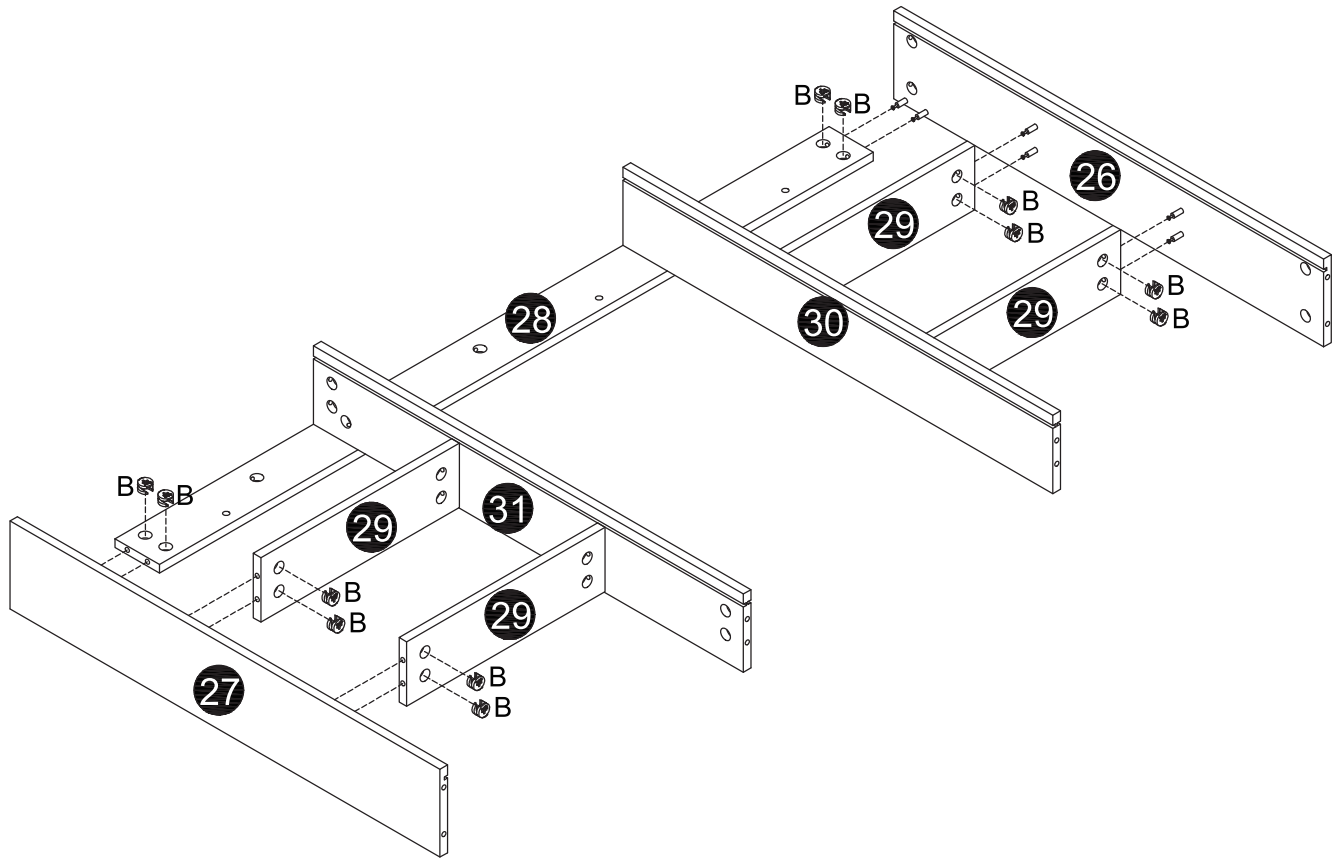
Ax22 






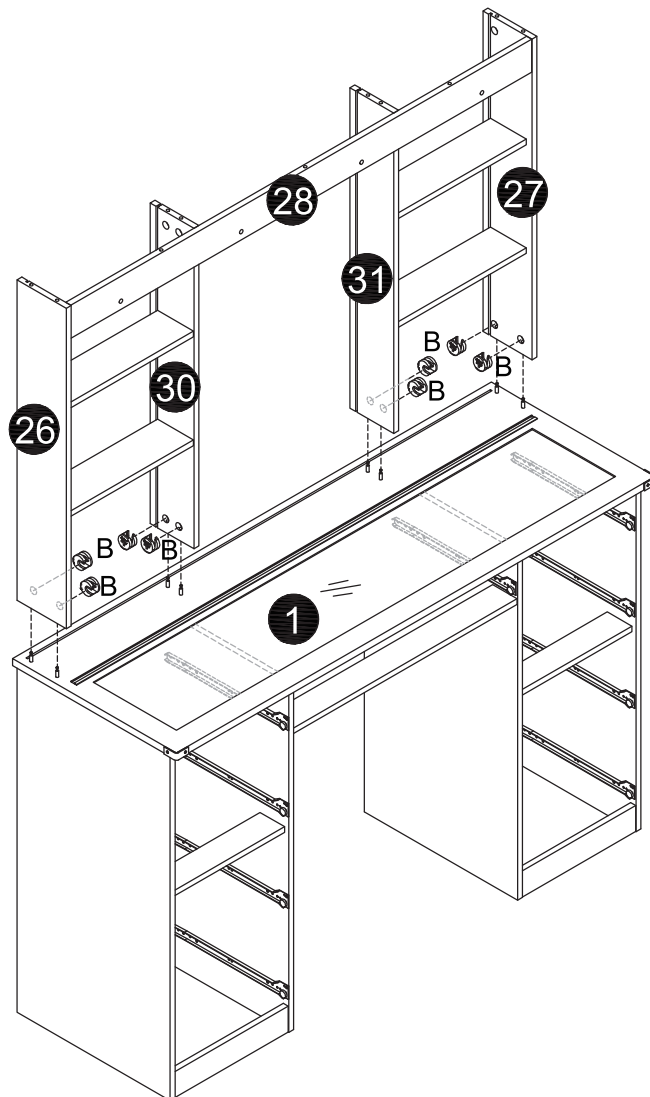
21

Bx12 

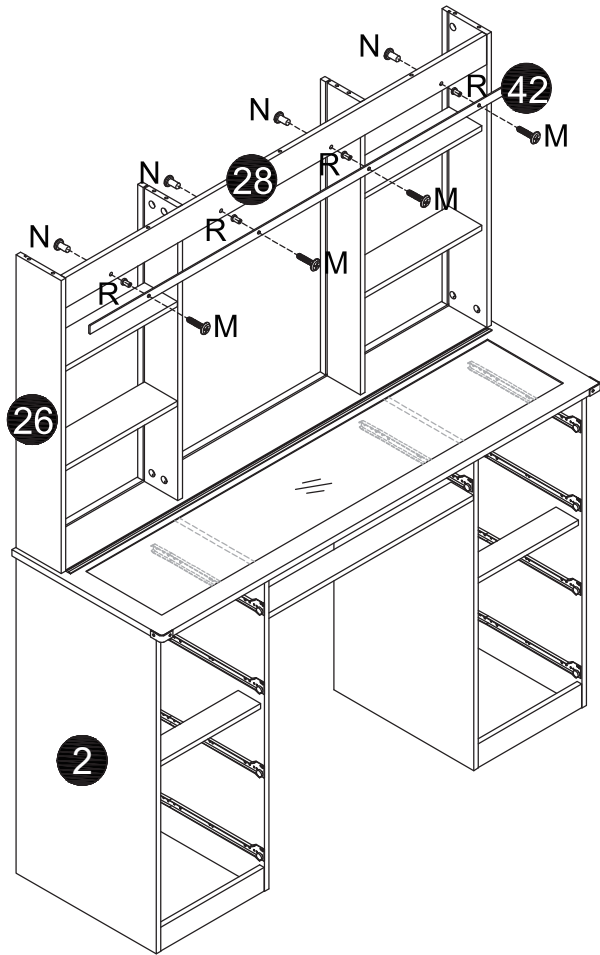





22

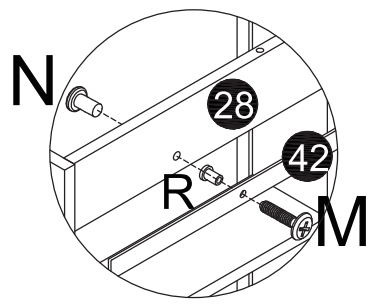
Bx8 



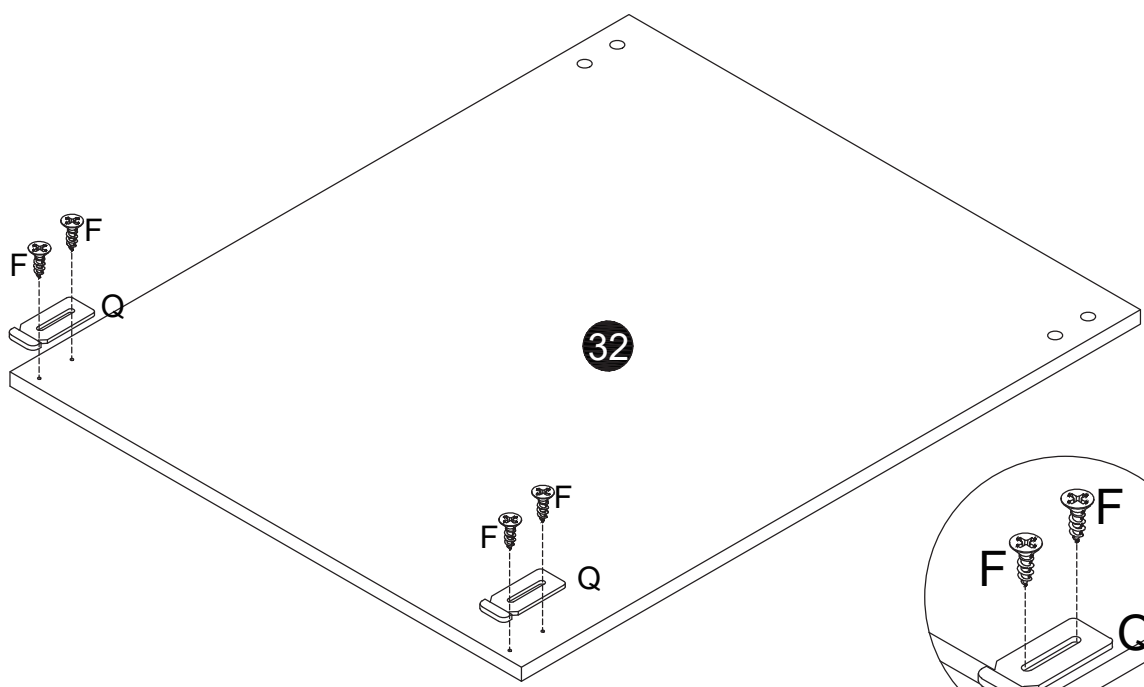
23





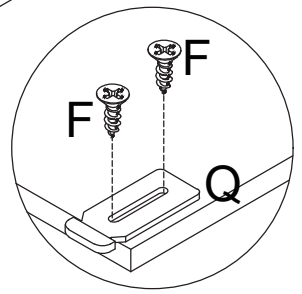
- Mx4 
- Nx4 
- Rx4 



24

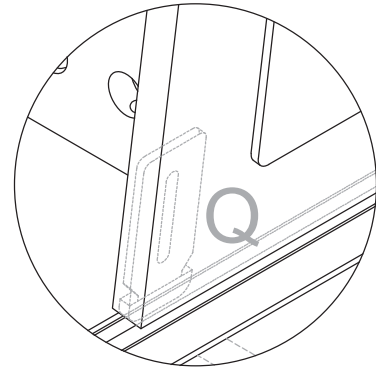
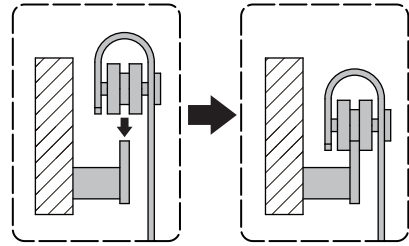
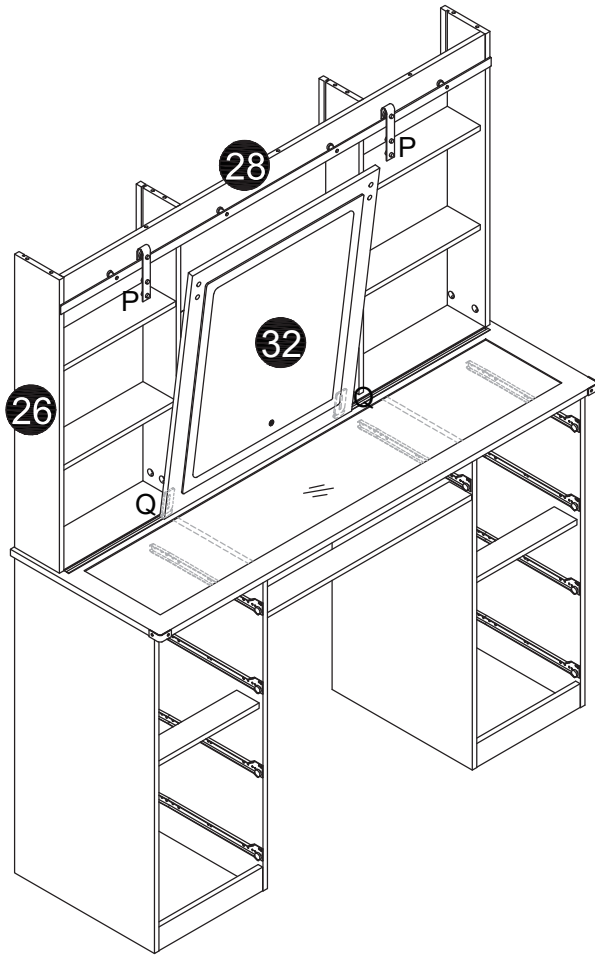


- Fx4 
- Qx2 



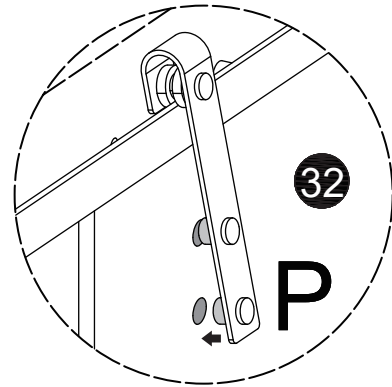
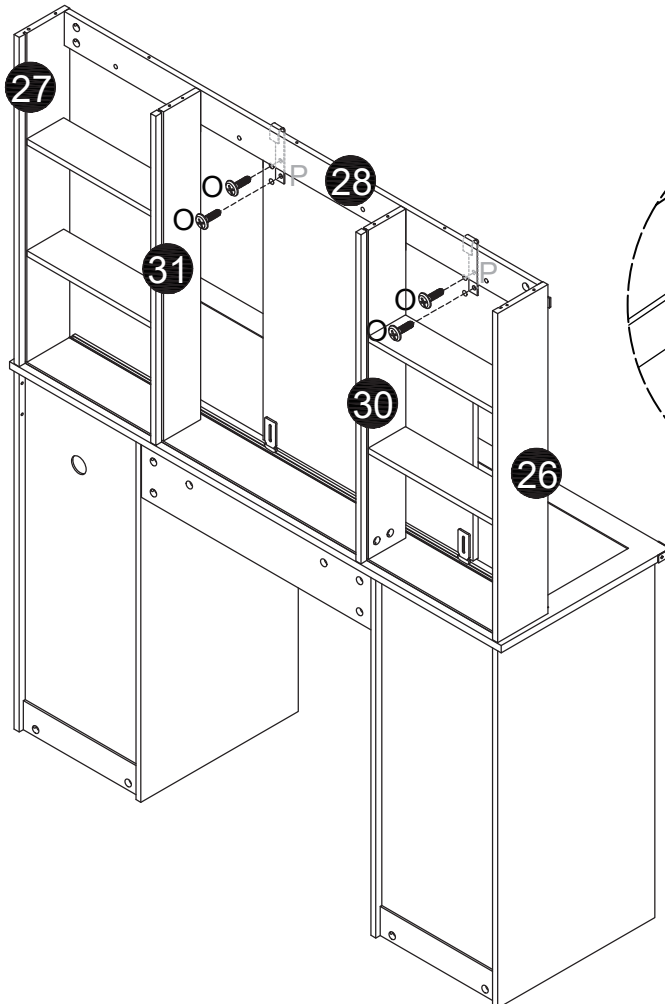
25

Px2



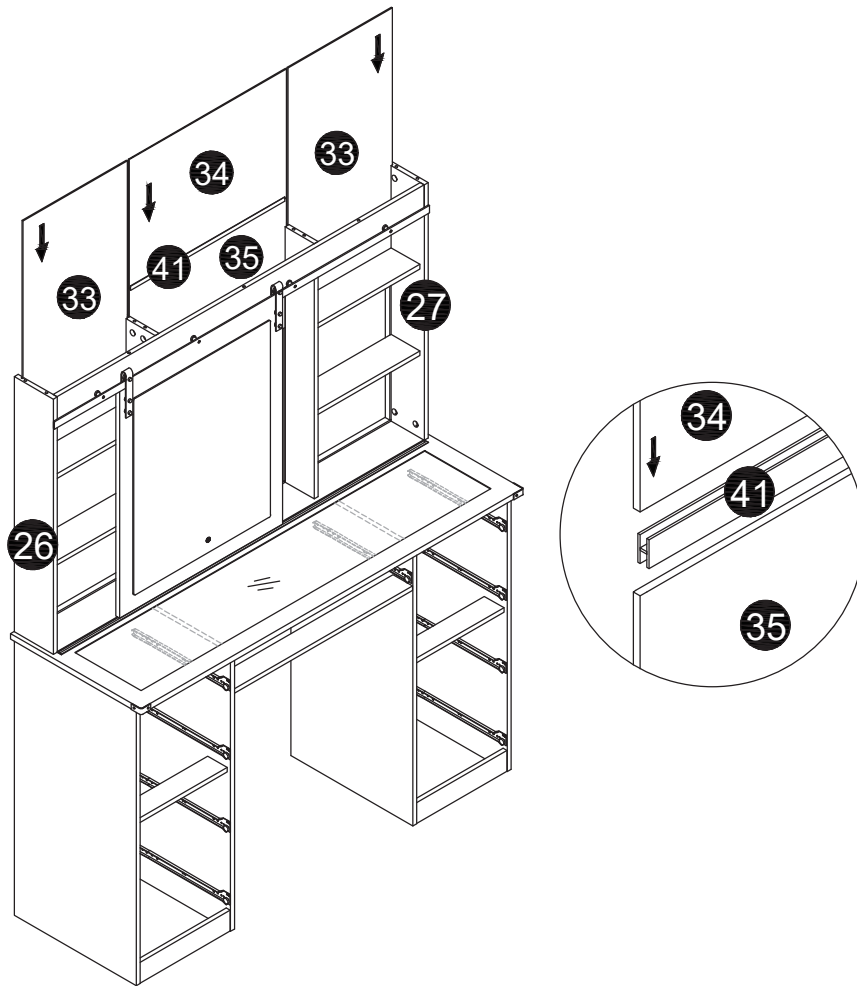
26

Ox4



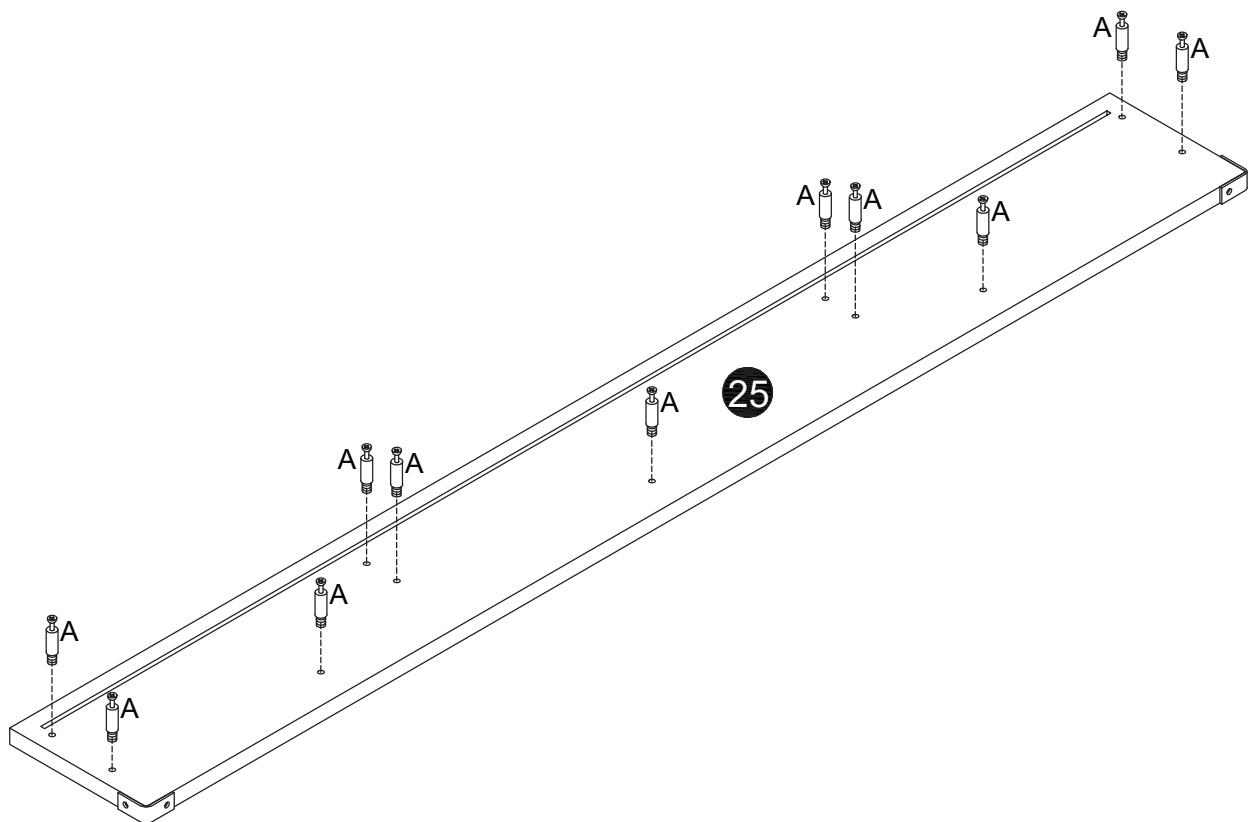
27

Ox4





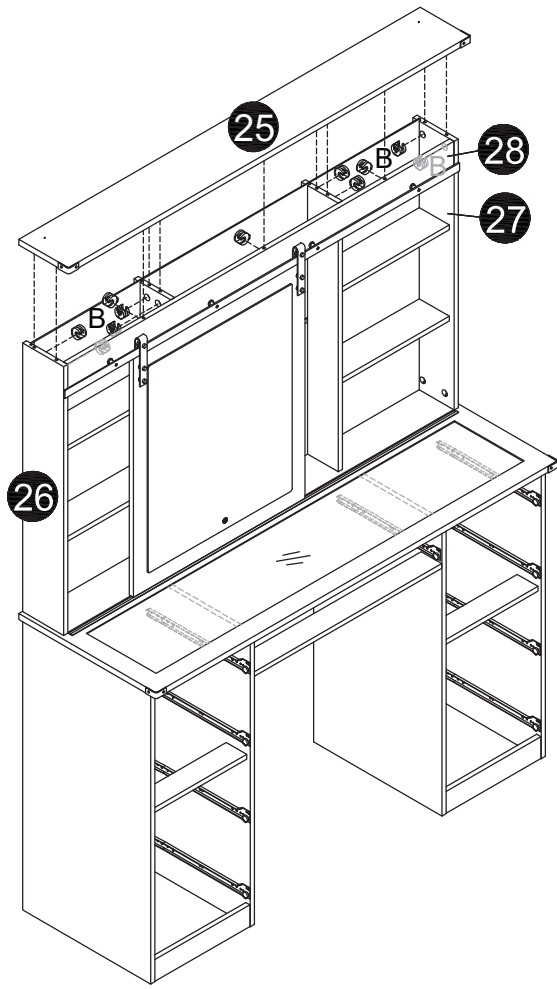
28

Ax11






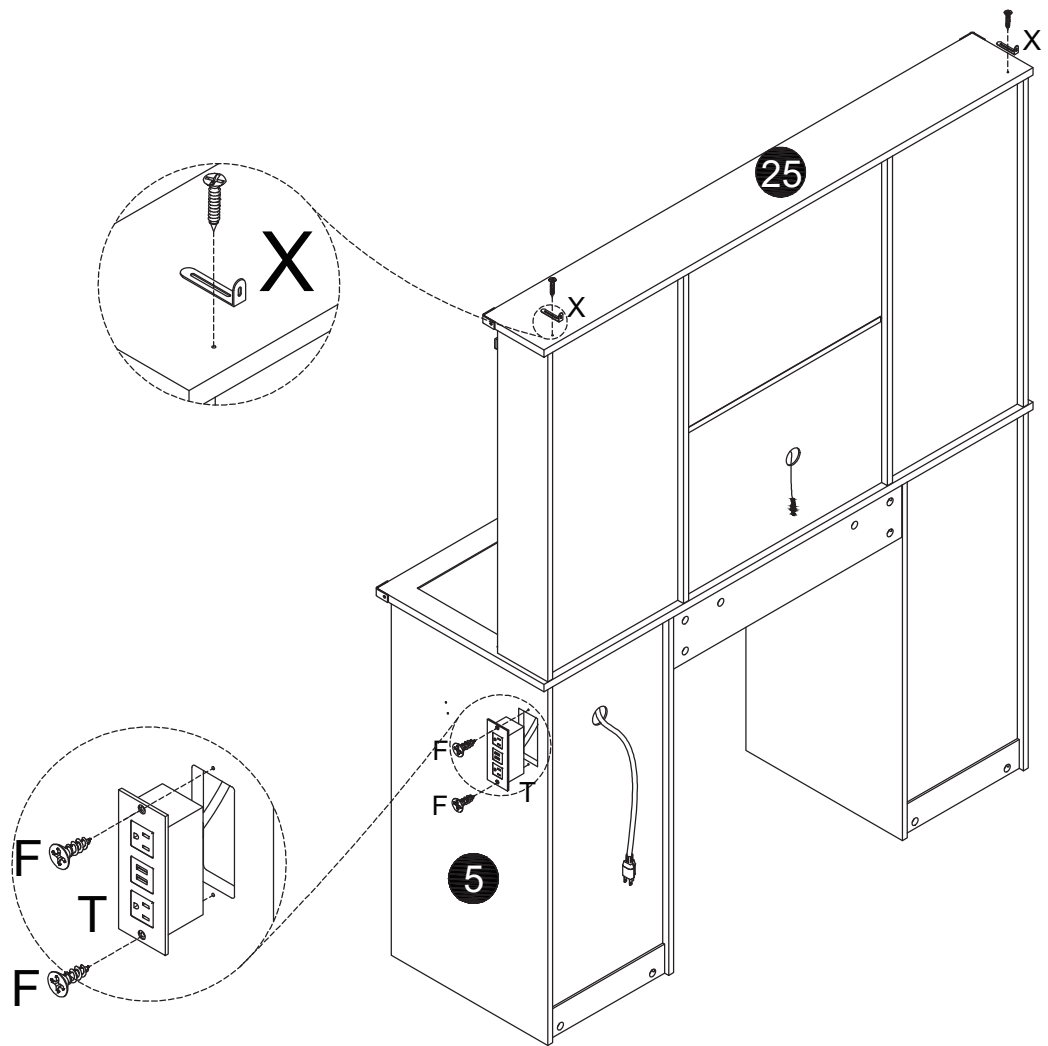
29

Bx11	
Zx1	






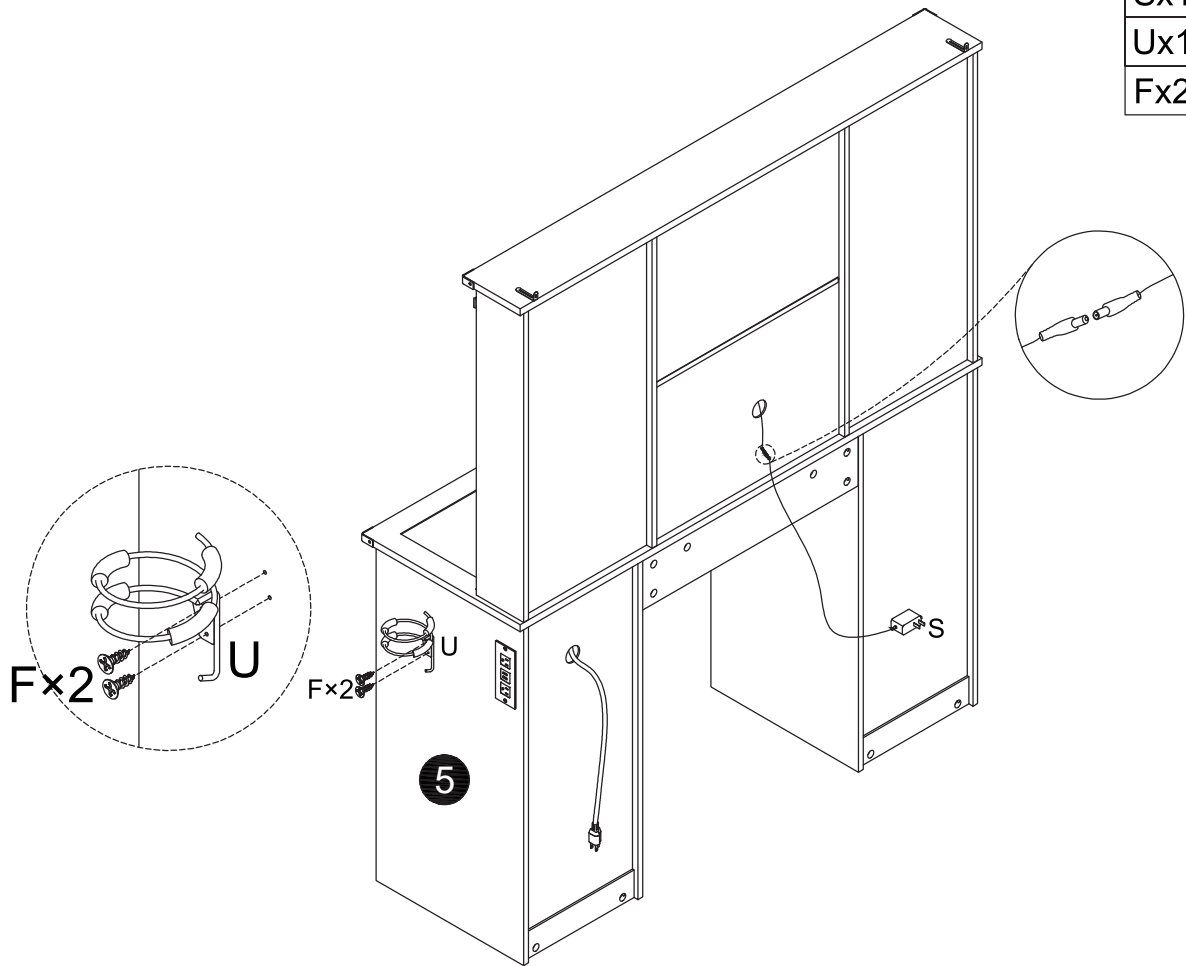
30

Fx2	
Tx1	
Xx2	

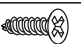



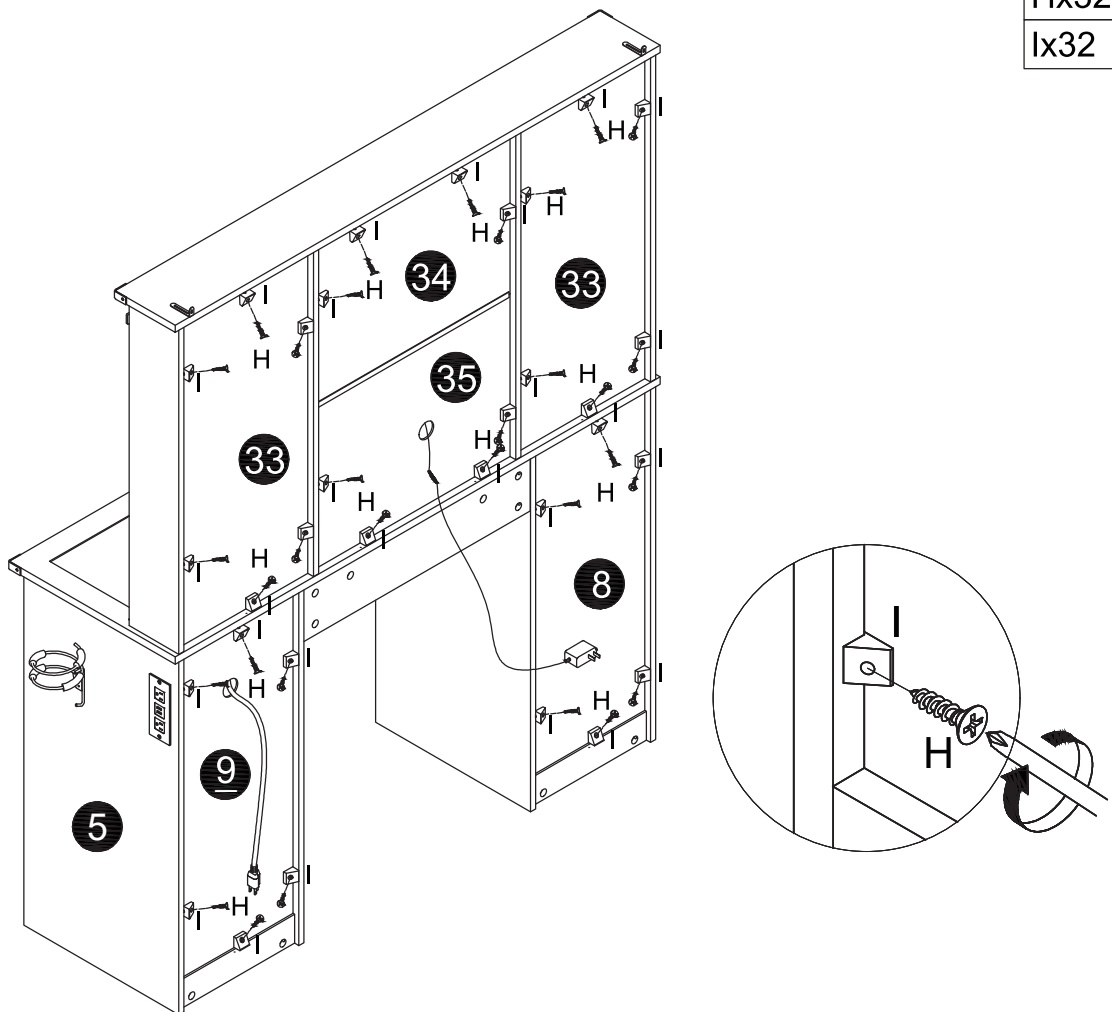
31

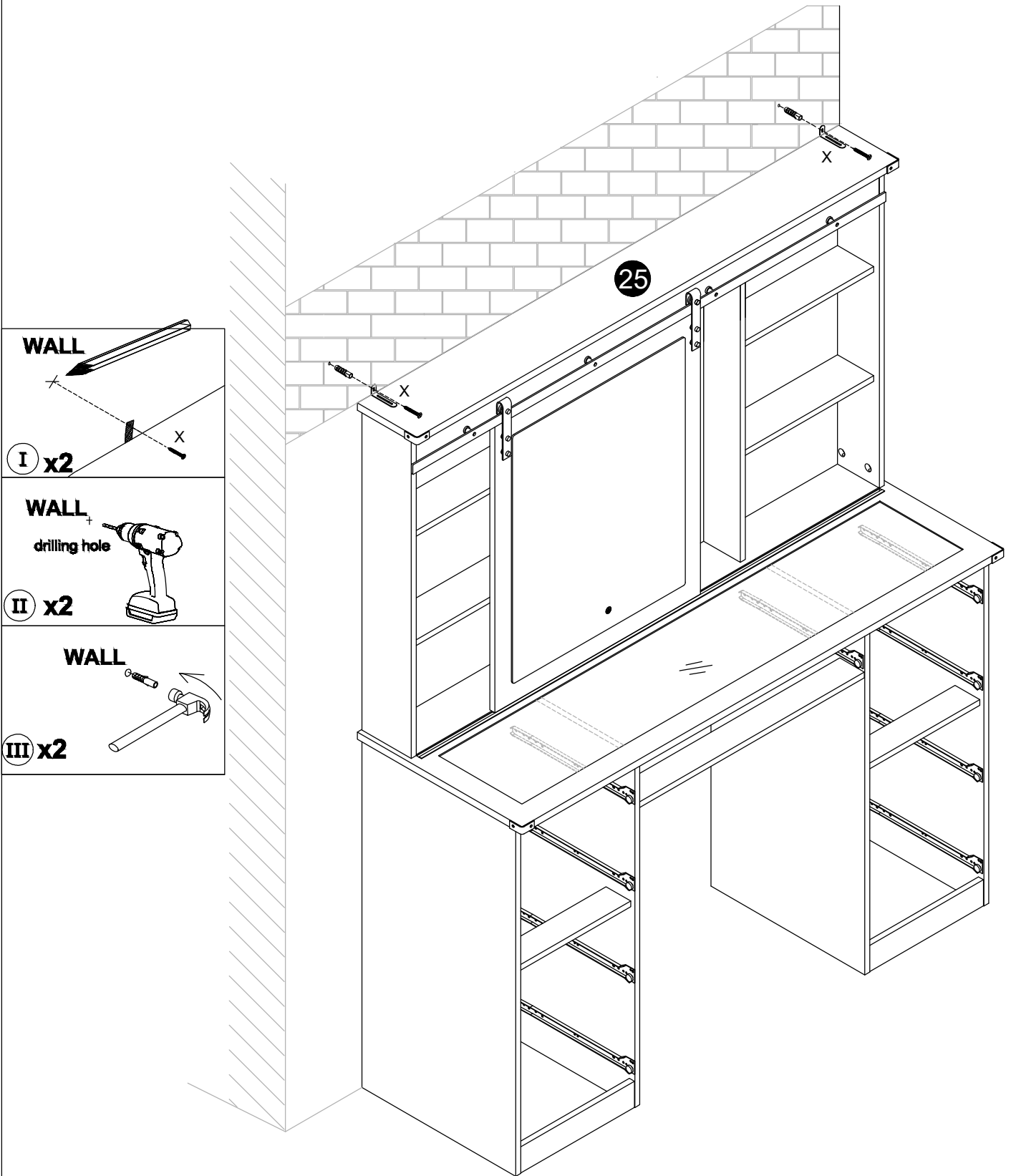
Sx1	
Ux1	
Fx2	



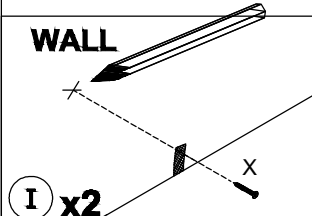
32

Hx32	
Ix32	



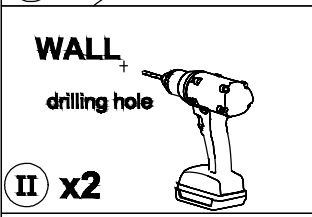


WALL



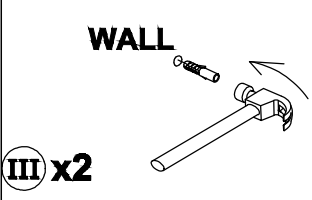
I x2

WALL
drilling hole

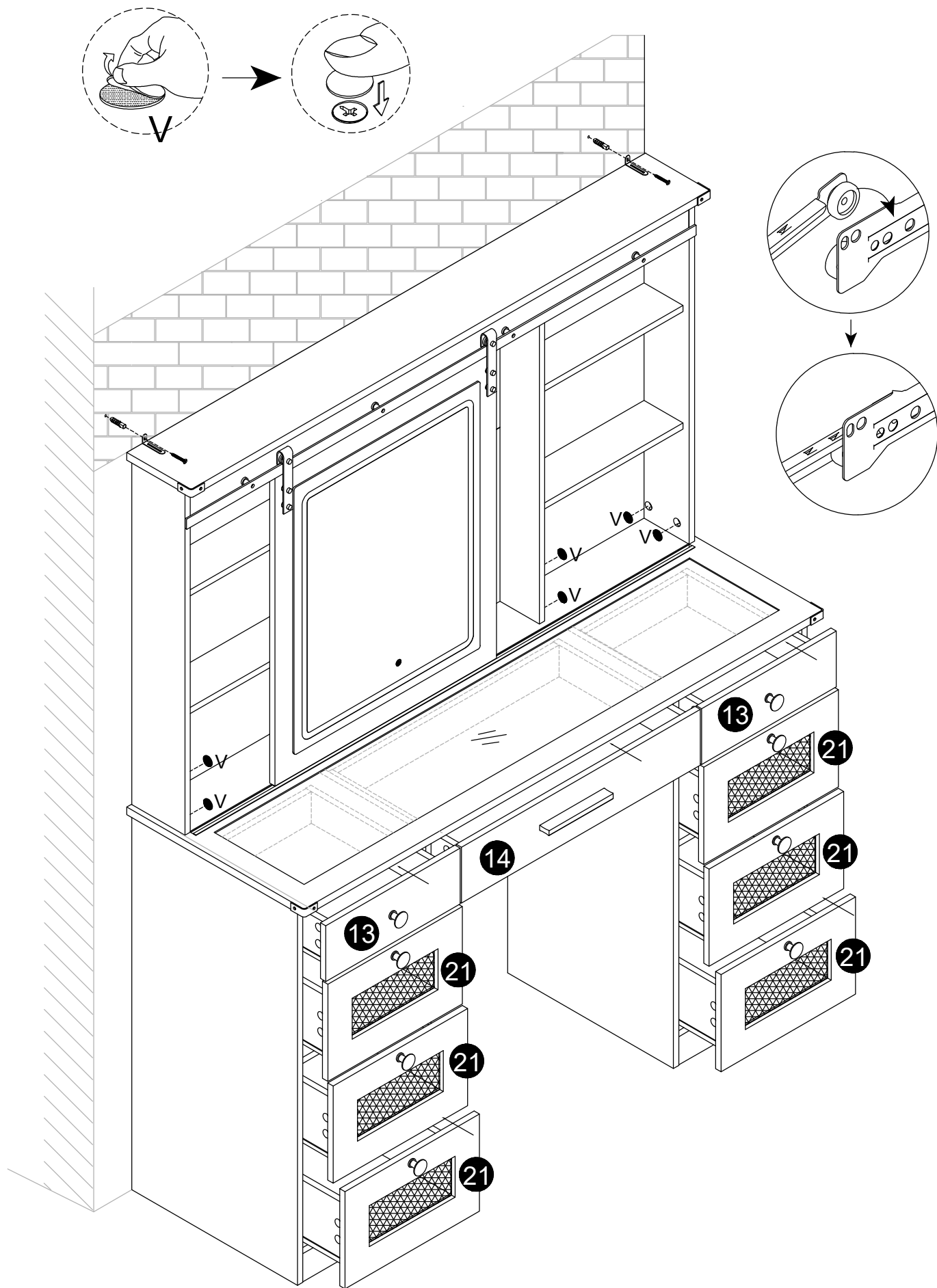


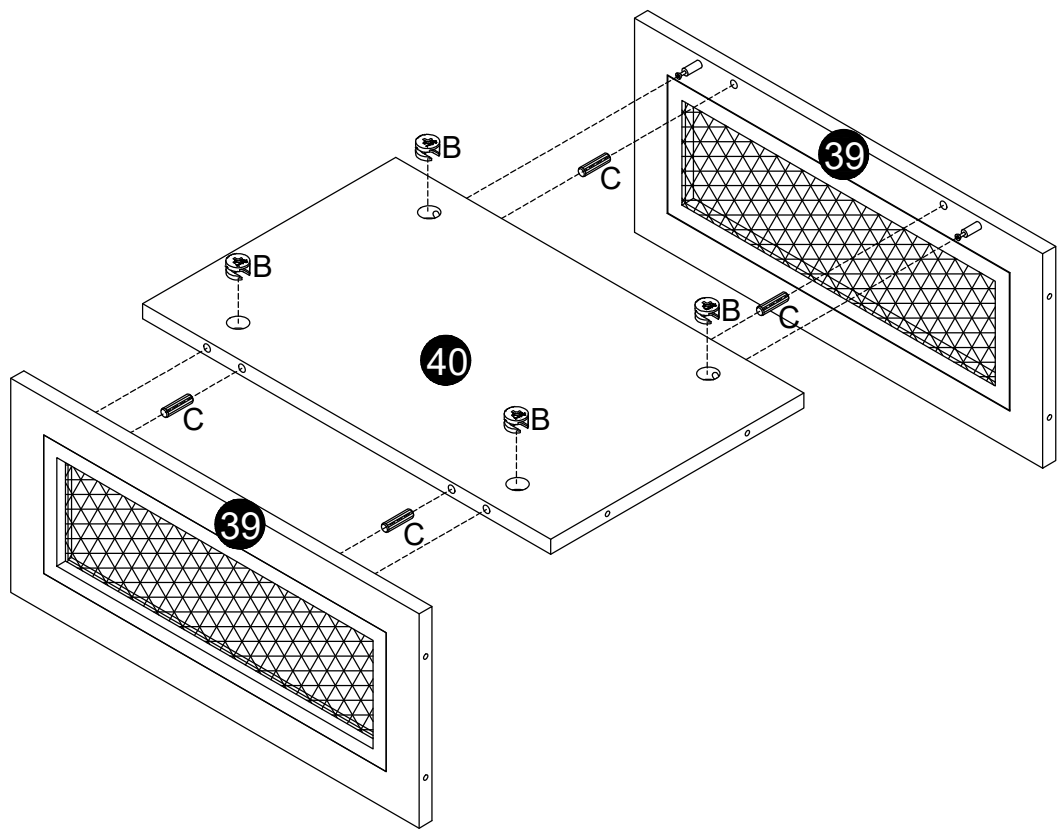
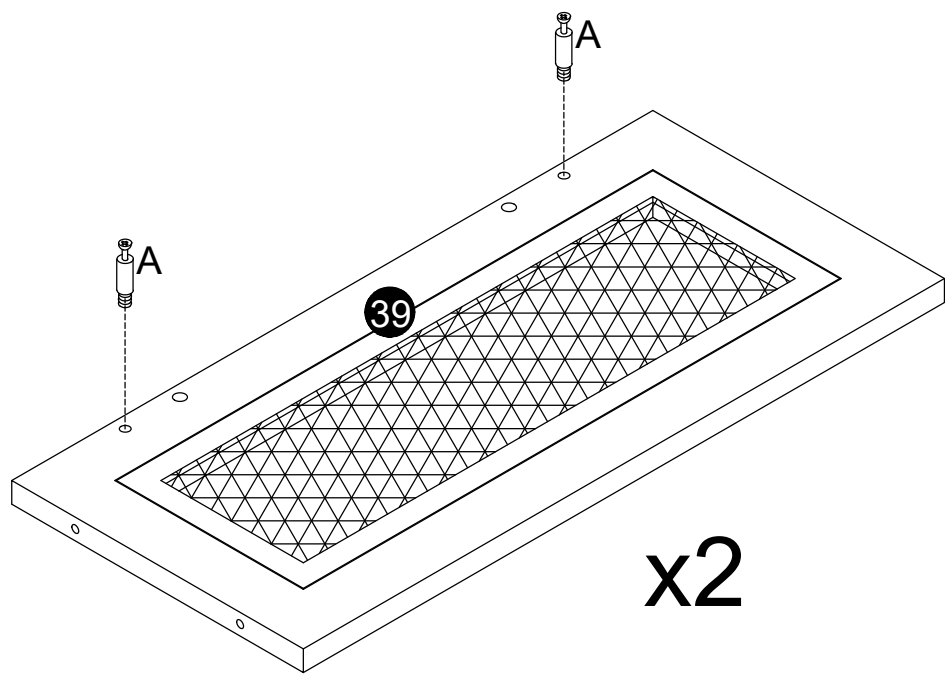
II x2

WALL

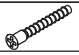


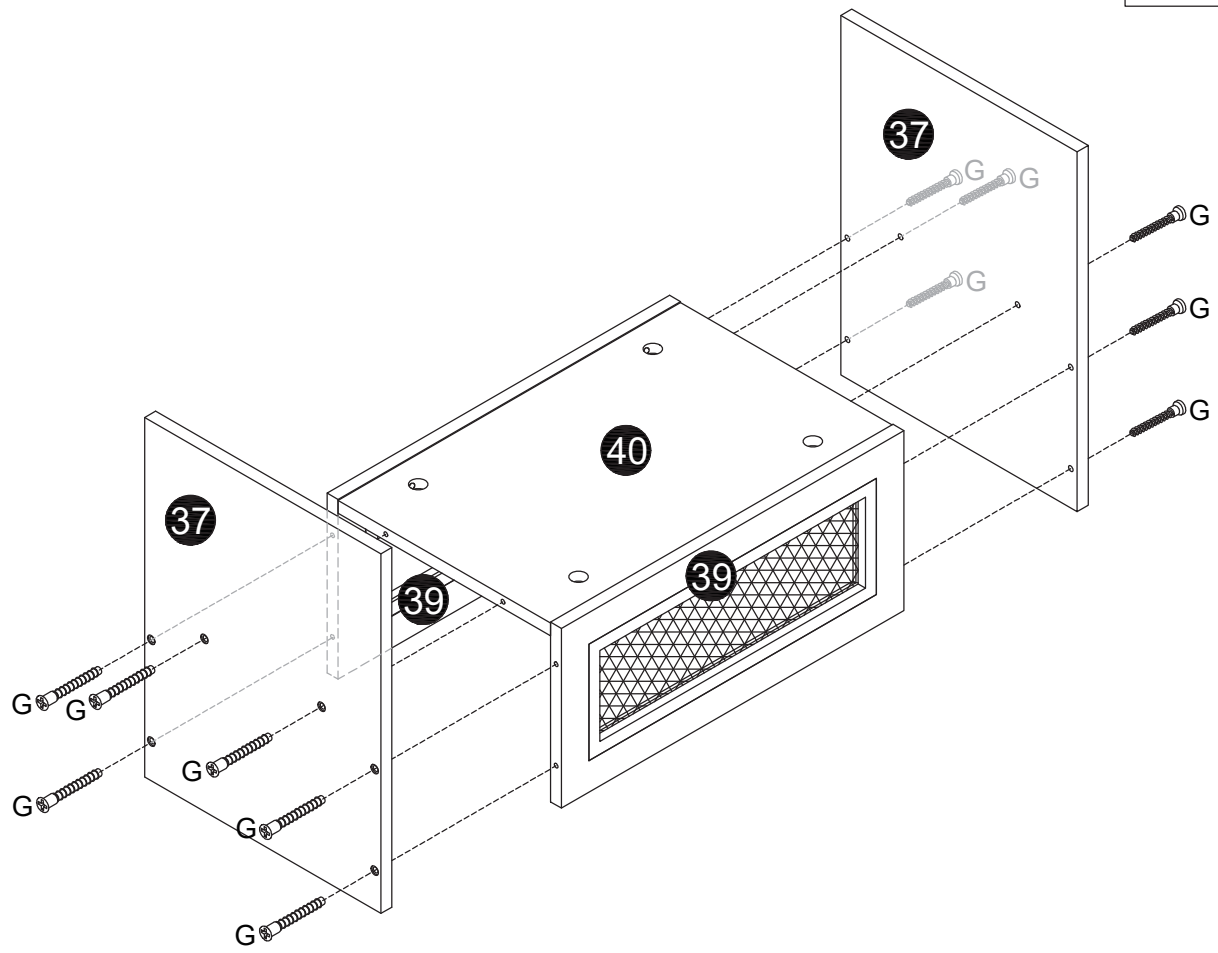
III x2





37

Gx12 



38

Vx12 