

# Product User Manual



# CATALOG

- 01 Company Profile
- 02 Installation instructions
- 03 Product introduction
- 04 How to replace the door panel handle of the cabinet or desk
- 05 How to replace a drawer
- 06 About us
- 07 Thank you letter

# 02

## Installation instructions

		<p>1  x1          1-2  x1          2  x3          3  x3</p>	<p>1: Tighten them together</p>
<p>2</p> <p>2: knock in the holes</p>		<p>3</p> <p>3: Tighten screws</p>	

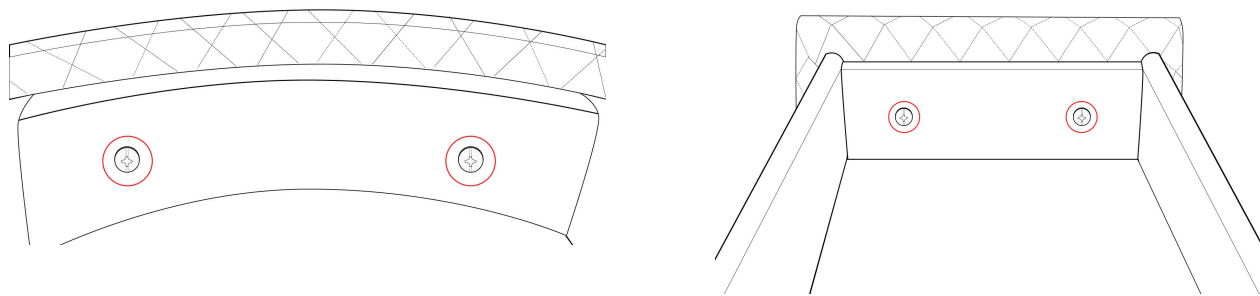
# 03

## Product introduction

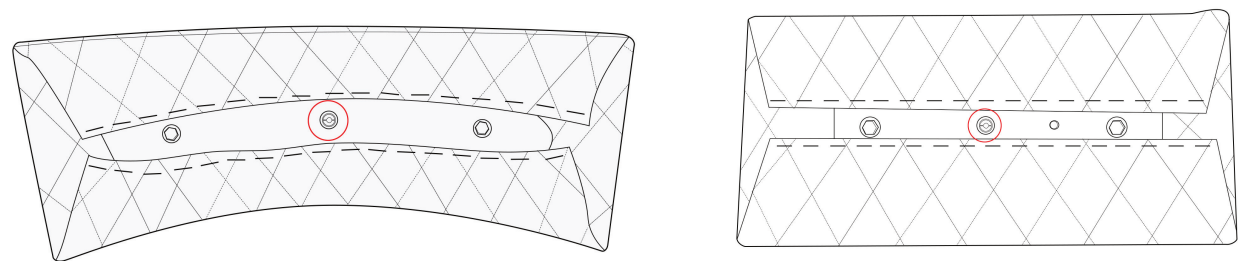


# 04

## How to replace the door panel handle of the cabinet or desk



1. Use a screwdriver to remove the screws marked in the red circle on the door panel.

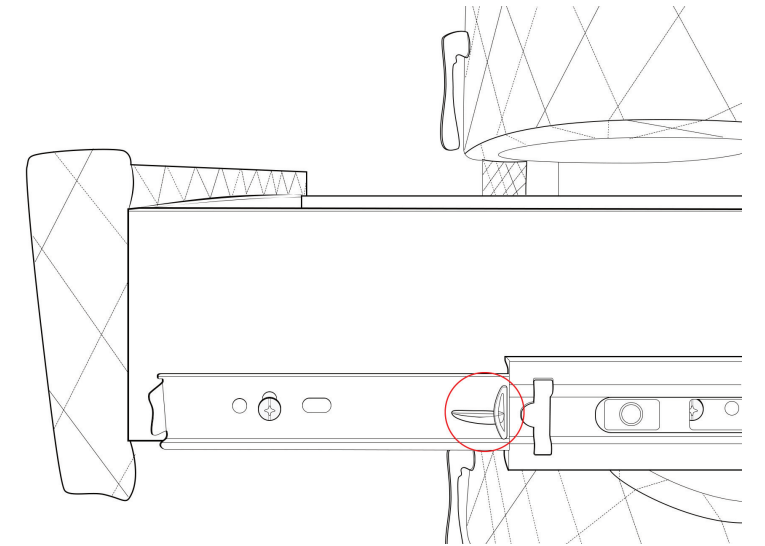


2. After removing the door panel, continue to use a screwdriver to remove the screws marked in red circles on the door panel.

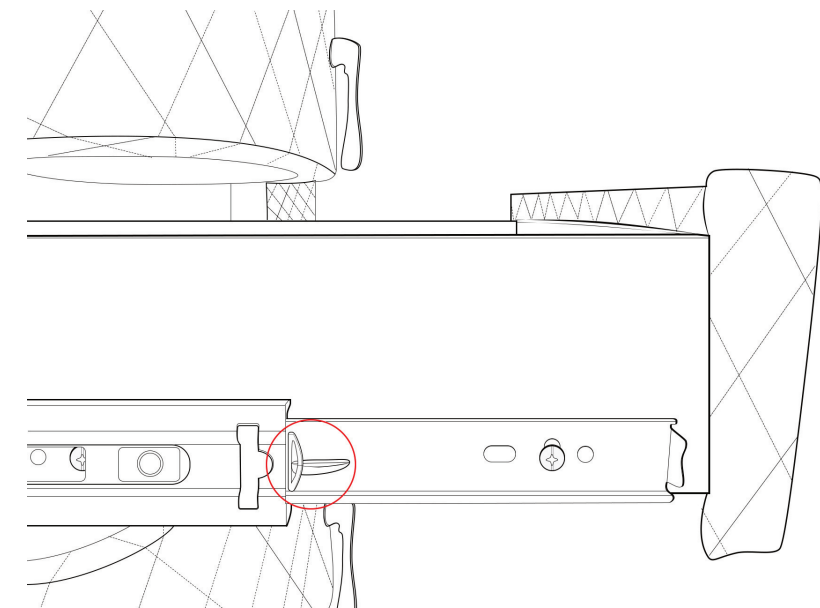
3. Remove the damaged handle and install a new one, then reassemble the removed accessories.

# 05

## How to replace a drawer



1. Press down with your finger on the area marked by the red circle in the picture.



2. Use your finger to press upward on the area marked by the red circle in the picture.

3. Press the area marked by the red circle with two fingers at the same time and pull it out to take out the drawer.