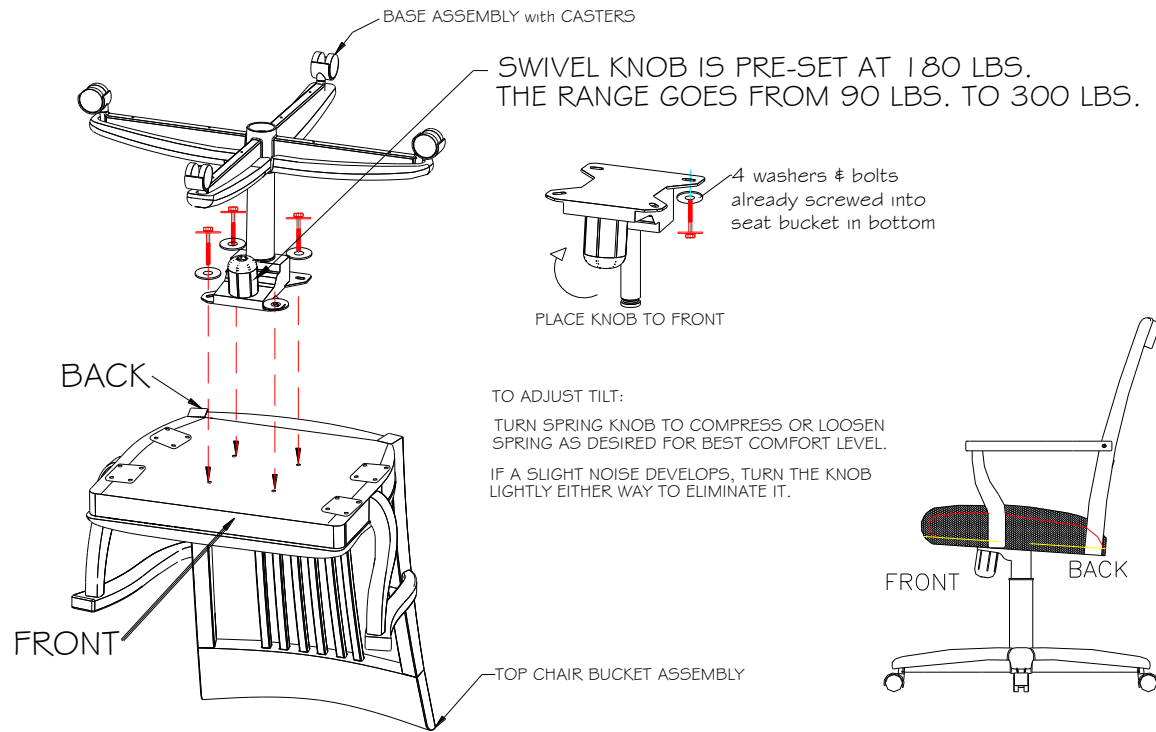


GENERIC CHAIR ASSEMBLY FOR SWIVEL CHAIRS



LIMITED WARRANTY

All Amtech products are warranted to the original consumer for normal home use for one year from the date of sale against defects in material or workmanship. This warranty does not cover damage which occurs while in the consumer's possession, which is not attributable to material or workmanship defects. This warranty covers only repair or replacement to Amtech products. Amtech specifically does not warrant the suitability of its products for any particular use in any particular environment. Amtech specifically disclaims any liability for damages caused by use of a Amtech product in an environment unsuited for such use.

Amtech does not warrant the suitability of these products for use with vinyl, linoleum or any other similar floor covering. During one year period & covered defects will be remedied by Amtech without charge by repair, if in the opinion of Amtech repair will fully remedy the defect & is commercially practicable, or the product will be replaced. For any such repair or replacement, the consumer shall return the product to the place from which it was purchased. Amtech shall neither bear responsibility for the cost of such return nor for any other costs or damages, which the consumer may incidentally incur as a result of such defect of the breach of any implied warranty.

Some states do not allow the exclusion or limitation of incidental damages so that the above limitation or exclusion may not apply to you.

All implied warranties including but not limited to implied warranties of fitness & merchantability, are limited in duration to a period ending one year from the date of sale. Some states do not allow limitation on how long implied warranty lists, so the above limitation may not apply to you. This warranty gives you specific legal rights and you may also have other rights which vary from state to state.

ASSEMBLY INSTRUCTIONS:

- 1) UNPACK CHAIR BUCKET AND PEDESTAL. TURN BUCKET UPSIDE DOWN.
- 2) REMOVE BOLTS & WASHERS FROM BOTTOM OF BUCKET AND PLACE THE PEDESTAL WITH THE KNOB FACING THE FRONT OF SEAT. LINE HOLES IN TILT TO HOLES IN THE SEAT & SLOWLY INSERT BOLT WITH WASHER & HAND TIGHTEN HALF WAY. ADD REST OF BOLTS LEAVING ALL LOOSE UNTIL ALL ARE INSTALLED
- 3) WITH SCREW DRIVER START TIGHTENING THE BOLTS INTO THE THREADED T-NUTS. DO NOT TIGHTEN BOLTS HARD UNTIL ALL 4 ARE SNUG TO THE METAL PLATE. THEN TIGHTEN UNTIL THEY WILL NO LONGER TIGHTEN.
- 4) INSERT ONE CASTER BY HAND & PUSH IT UNTIL IT SNAPS INTO PLACE. DO NOT USE HAMMER OR OTHER TOOL. BASES MAY ALREADY HAVE CASTERS IN PLACE.

TOOLS NEEDED: PHILLIPS SCREWDRIVER

CARE INSTRUCTIONS:

REMOVE STAINS AS SOON AS POSSIBLE. DO NOT USE ABRASIVE SOAPS OR STEEL WOOL.

VINYL-UPHOLSTERY CHAIRS: DAY TO DAY SOIL can be removed with a neutral soap & warm water.

Areas which come in contact with hair oil or tonic should be washed occasionally with neutral soap & warm water.

FABRIC-UPHOLSTERY CHAIRS: Wipe with a solution of mild soap & clear water. Sponge dry. Brush nap to original appearance.

METAL PARTS: Use a neutral soap & warm water. Rinse thoroughly in clear water. Wipe clean with a clean cloth to avoid spots & streaks.