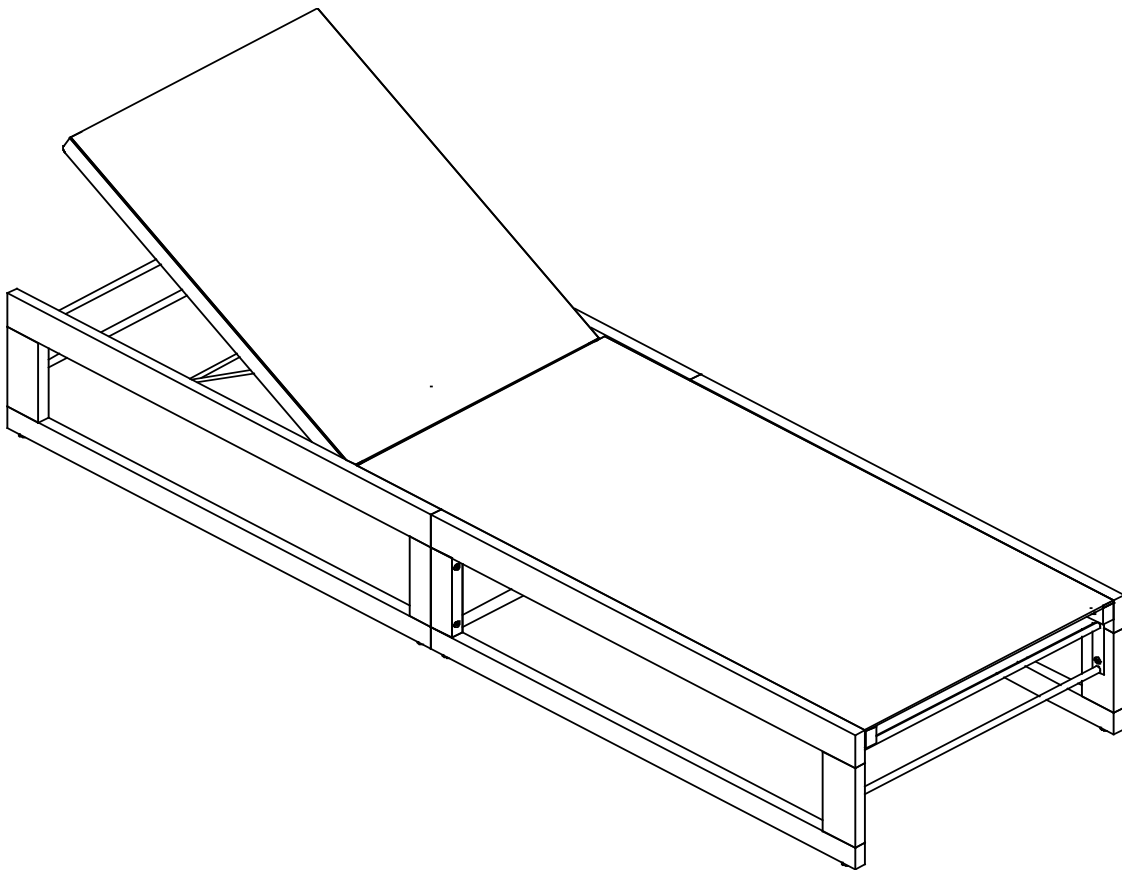


Assembly Instructions

CAUTION: You must read this **Assembly Instructions** before you proceed.

Please look in the **Seat Panel** for hardware packs.

Sunlounger

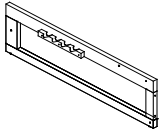
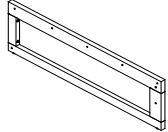
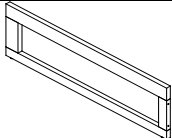
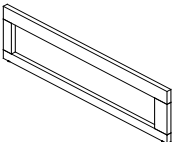
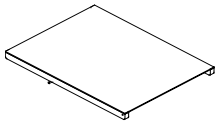
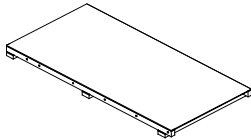
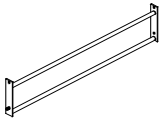
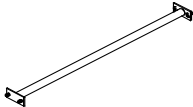


CAUTION: This sunlounger is NOT a TOY.





Keep your child / children at bay during the assembly process.

Whenever lifting or moving the Sun Lounger and to prevent any damage to it, two adults may be needed to execute these actions.

Part List

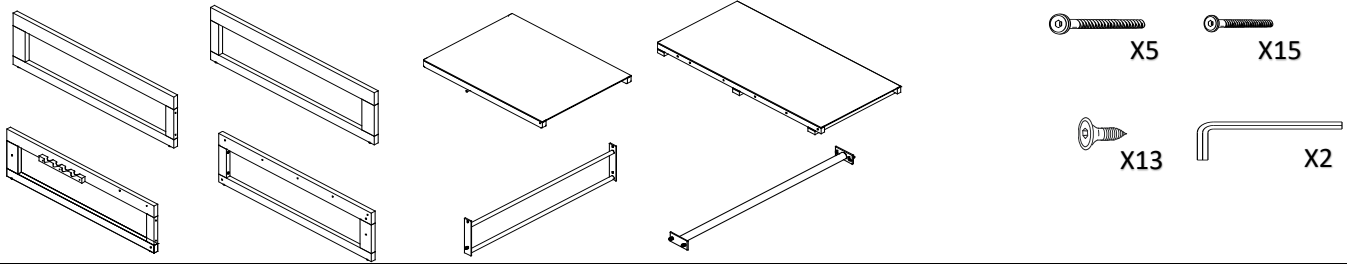
Label	Picture	Description	QTY
A		Right Backrest Base Panel	1
B		Right Seat Base Panel	1
C		Left Backrest Base Panel	1
D		Left Seat Base Panel	1
E		Backrest Panel	1
F		Seat Panel	1
G		First Support Bar	2
H		Second Support Bar	1

Hardware

Label	Picture	Description	QTY
①		Bolt (M6x70mm)	5
②		Bolt (M6x35mm)	15
③		Screws (M6x20mm)	13
④		Allen Wrench	2

Assembly Preparation

Before Beginning Assembly:



- Read instructions, cover to cover-



- Have 2 adults on hand for assembly-



- Do not assemble on flooring or carpet-



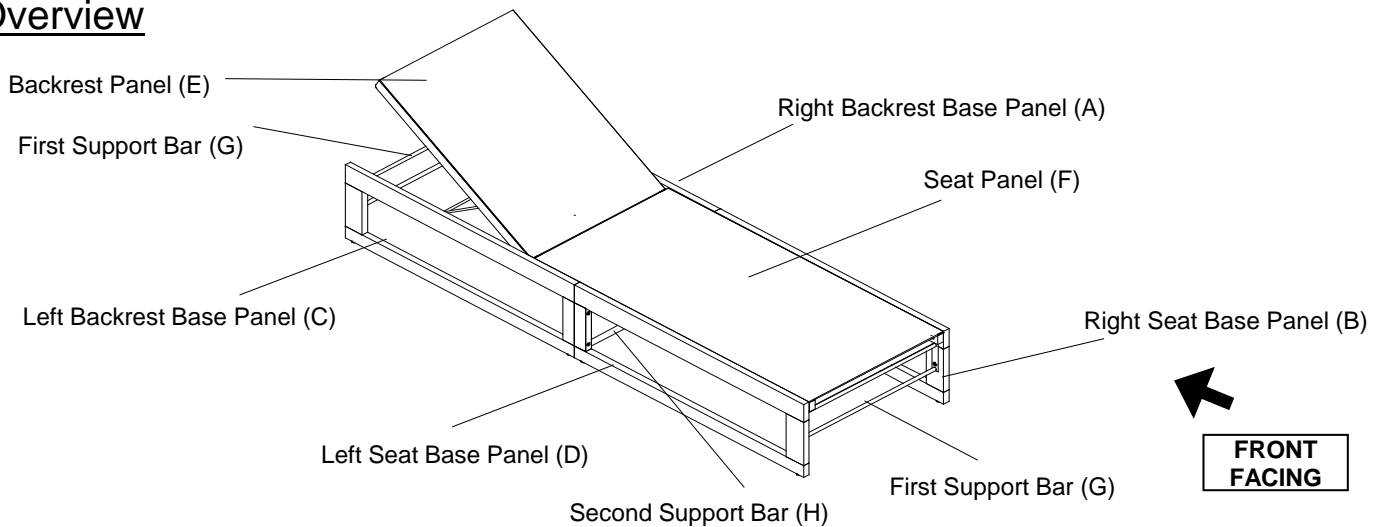
- Assemble on a clean non-marring surface (packing foam)-



- Save all packaging until finished-

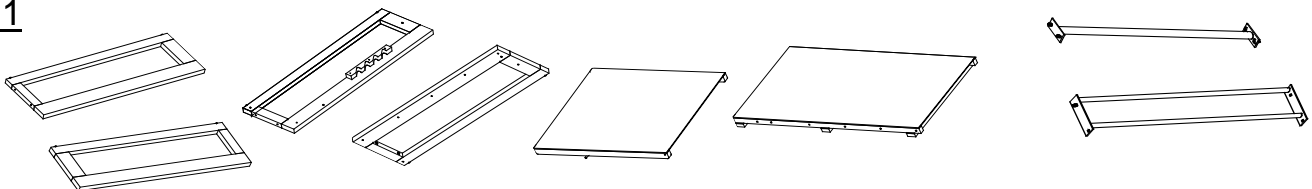
Assembly Steps

Overview



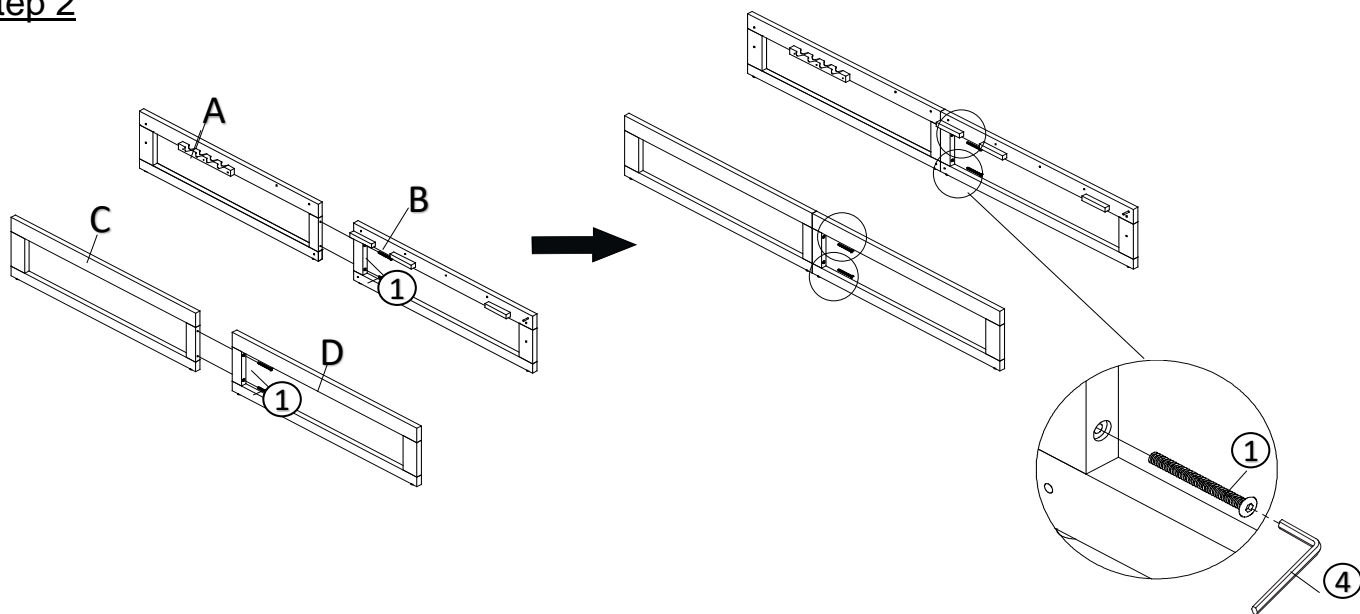
This sunlounger has multiple parts and may require up to 45 minutes to assemble. To give you an overview of the sunlounger parts, the above picture is provided to help you put the various parts into perspective. Please read through the instructions below to familiarise yourself with the parts and steps before assembly.

Step 1



Unpack and place all parts on a clean, non-marring surface.

Step 2



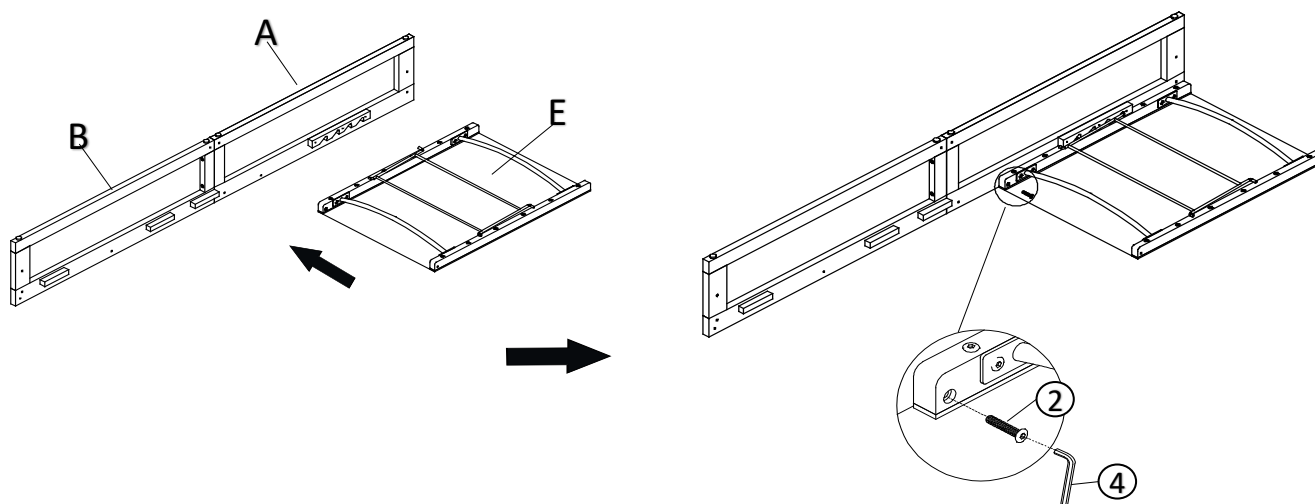
With assistance from your adult partner(s), place the Right Backrest Base Panel (A) and the Right Seat Base Panel (B) upright as shown in the picture above onto a clean, soft surface to avoid any scratches or damage to the product.

Attach the Right Backrest Base Panel (A) and the Right Seat Base Panel (B) using Bolts (1) and the Allen Wrench (4) as shown in the pictures above.

Repeat the same process with the remaining Left Backrest Base Panel (C) and Left Seat Base Panel (D)

Do not fully tighten the Bolts at this time.

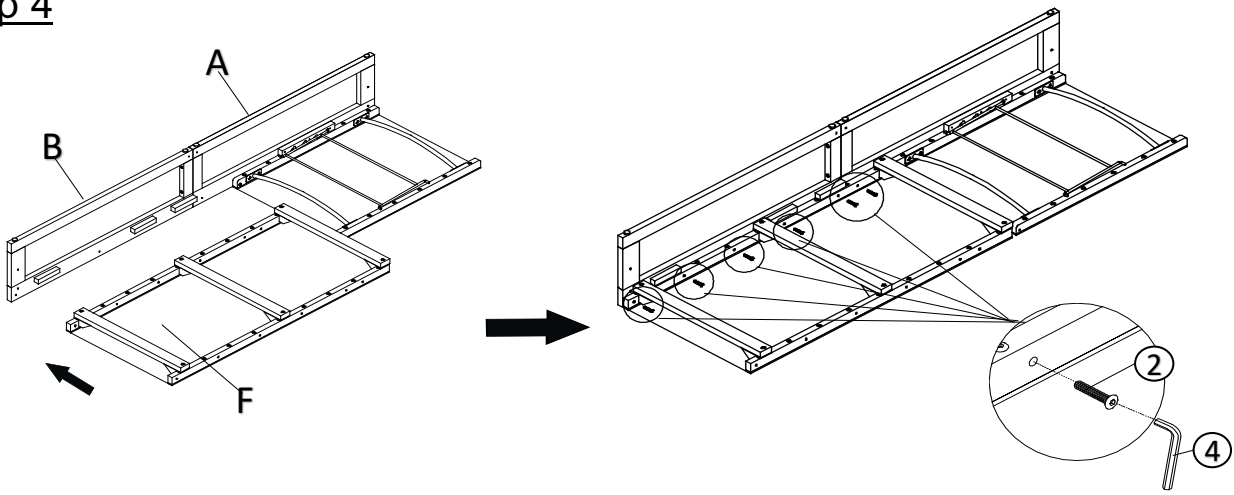
Step 3



With assistance from your adult partner(s), attach the Backrest Panel (E) to the assembled parts in Step 2 - the Right Backrest Base Panel (A) and the Right Seat Base Panel (B) using Bolts (2) and the Allen Wrench (4) as shown in the pictures above.

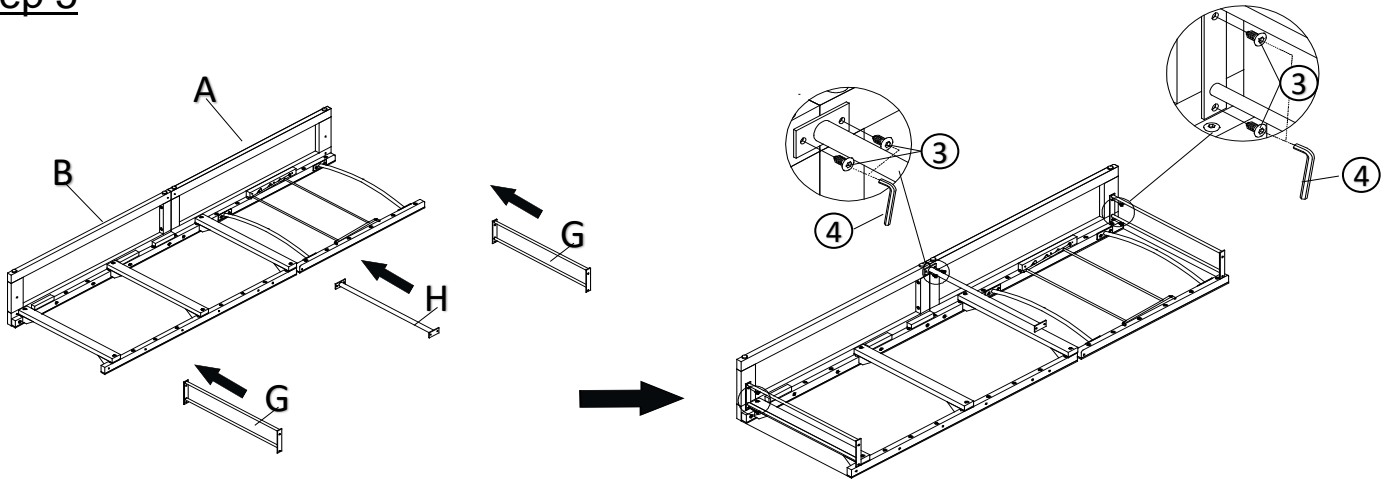
Do not fully tighten the Bolts at this time.

Step 4



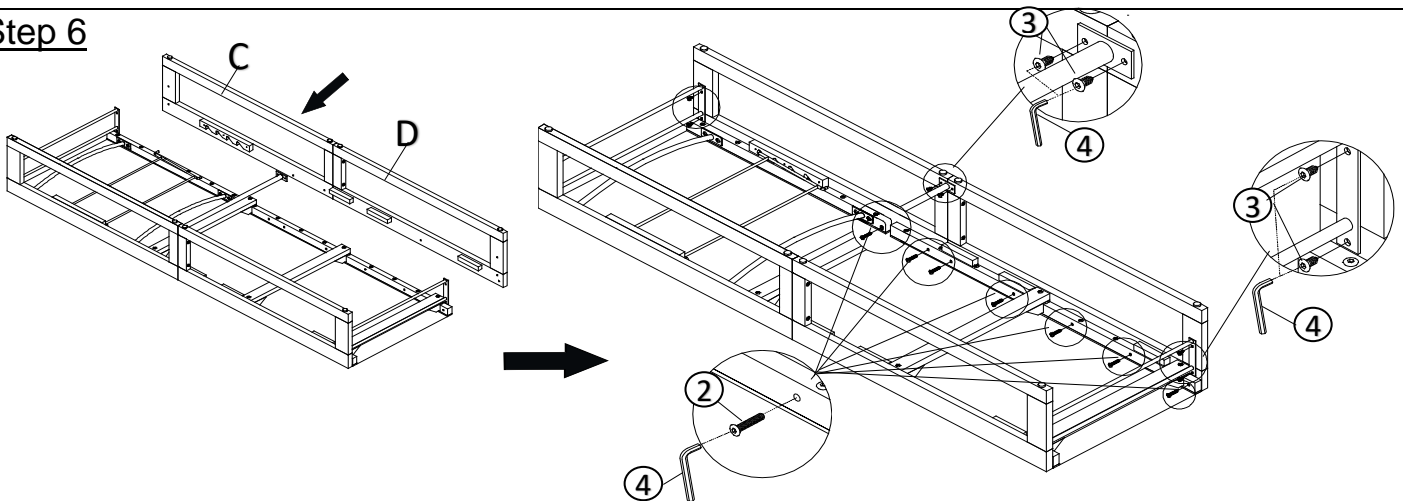
With assistance from your adult partner(s), attach the Seat Panel (F) to the assembled parts in Step 3 using Bolts (2) and the Allen Wrench (4) as shown in the pictures above.
Do not fully tighten the Bolts at this time.

Step 5



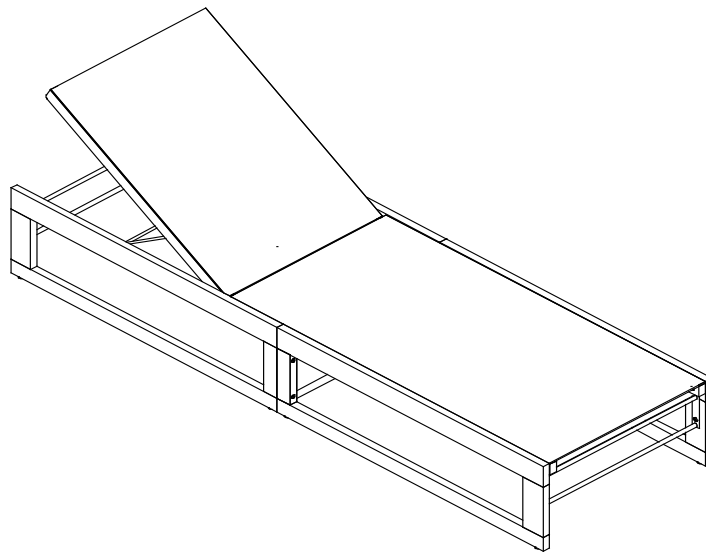
With assistance from your adult partner(s), attach the First Support bar (G) and the Second Support Bar (H) to the assembled parts in Step 4 using Screws (3) and the Allen Wrench (4) as shown in the pictures above.
Do not fully tighten the Screws at this time.

Step 6



With assistance from your adult partner(s), attach the assembled part in Step 2 - the Left Backrest Base Panel (C) and the Left Seat Base Panel (D) to the assembled part in Step 5 using Bolts (2), Screws (3) and the Allen Wrench (4) as shown in the pictures above.
Do not fully tighten the Bolts and Screws at this time.

Step 7



With assistance from your adult partner(s), turn the Sunlounger right side up.

Inspect the Sunlounger and make sure all parts are adequately connected.

In a sequential manner, tighten all Screws and Bolts at all joints.

CAUTION : When tightening these screws and bolts, tighten sequentially.











DO NOT tighten any screw or bolt fully and then move towards the next one. This could cause the frame to warp.

WARNING!! IF THE SUNLOUNGER IS NOT STABLE , IT COULD LEAD TO DAMAGE OF THE PRODUCT.

Your Sunlounger is ready to be used.

This Sunlounger can only be used on a flat, level surface

Care & Maintenance

-  ● Do not put hot items directly on furniture surface
-  ● Do not clean furniture with harsh cleansers or polish.
-  ● To obtain the longest lifespan of your outdoor products, minimizing exposure to direct sunlight is recommended.
-  ● Children should not climb or jump on the furniture.
-  ● Do not write on furniture without a padded barrier to protect the surface.
-  ● To obtain the longest lifespan of your outdoor products, avoid extended and lengthy exposure to rain, snow, and direct sunshine. Whenever possible cover the product and /or place under patio or awnings.
-  ● Not for commercial use. For residential use only .
-  ● Stains may be removed with mild soap solution and damp cloth.
-  ● Keep away from sources of ignition.
-  ● Dust and pick-up spills using a clean, non-colored, lint-free cloth.