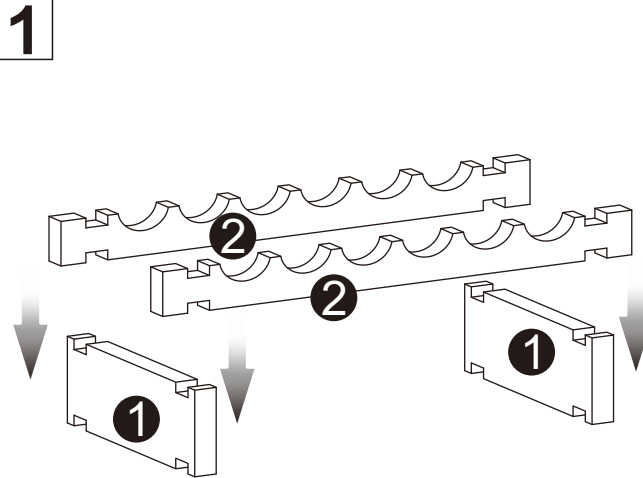
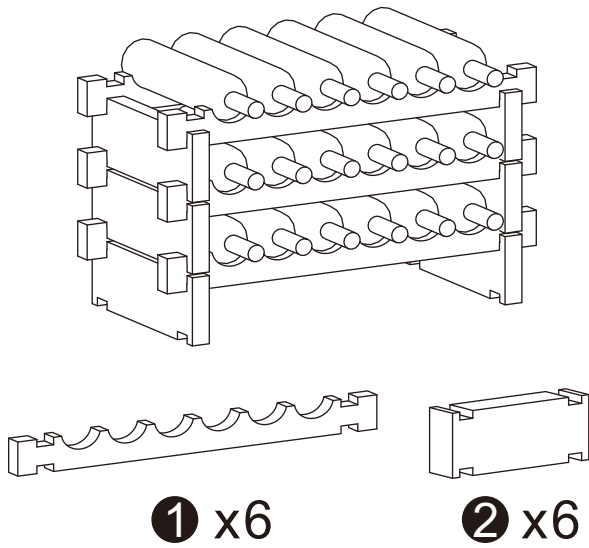
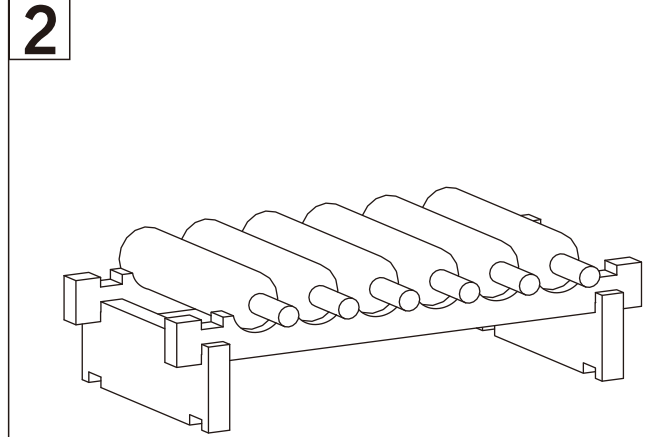


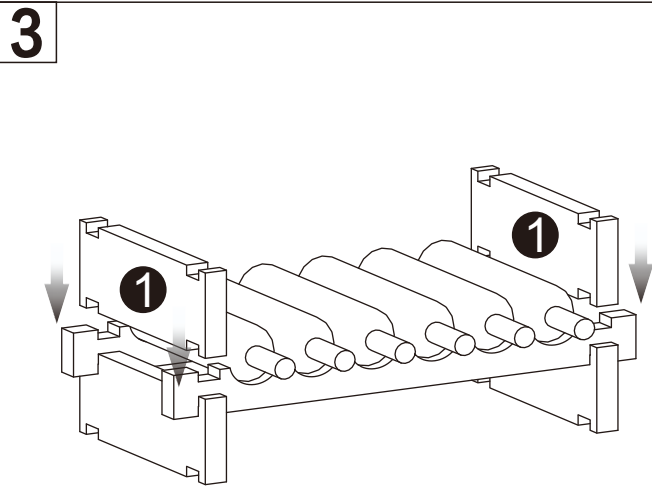
Installation Instructions



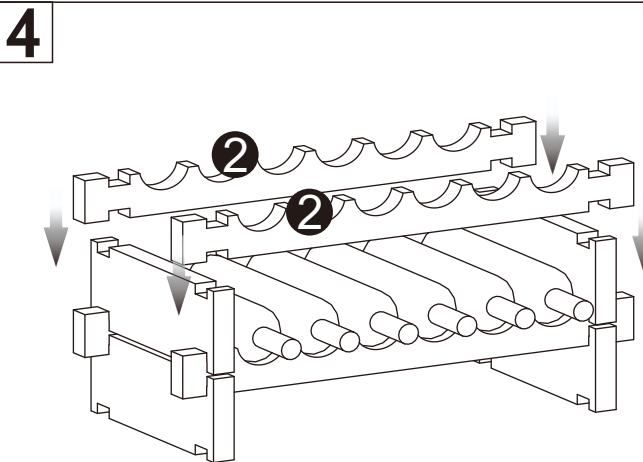
Fix the 1st and 2nd plates, and clamp the slots together as shown in the figure.



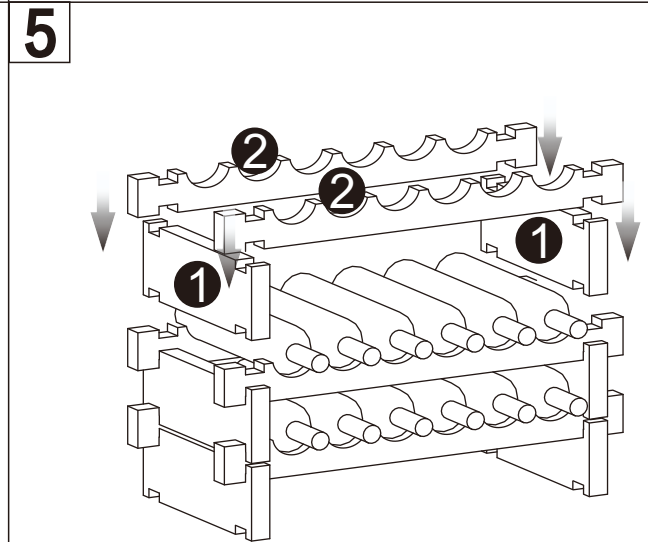
As shown in the figure, after the installation of the first layer is completed, put the red wine in first.



As shown in the figure, fix the first board and the second board of the first layer, and clamp the slotin harness.



Fix the 1st and 2nd plates, and clamp the slots together as shown in the figure.



Please note that regardless of how many layers are installed, the installation method is the same as the previous installation steps.