

## Installing your TV on the Swivel Lift

Thank you for choosing TVLiftCabinet.com. This lift is designed to support TV's with a maximum weight of 80 lbs.

**MISSING PARTS or HAVE QUESTIONS?**

**CALL 561-417-0999**

**DO NOT RETURN TO STORE.**

**Our customer service will address any missing parts, damage, and questions so you do not have to return your TV lift.**

**⚠ WARNING**

**This product contains small items that could be a choking hazard if swallowed. Keep these items away from young children!**

**⚠ CAUTION**

Do not use this product for any purpose not explicitly specified by TVLiftCabinet. Improper assembly may cause property damage or personal injury. If you do not understand with these directions, or have doubts about the safety of the assembly, contact Customer Service or call a qualified contractor. TVLiftCabinet is not responsible for damage or injury caused by incorrect assembly or use.

**www.TVLiftCabinet.com**

Factory Direct TV Cabinets - Since 1970

2295 NW Corporate Blvd - Suite 221, Boca Raton, FL 33431

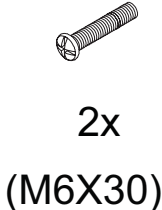
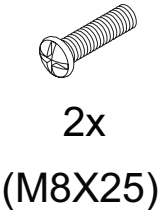
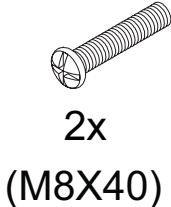
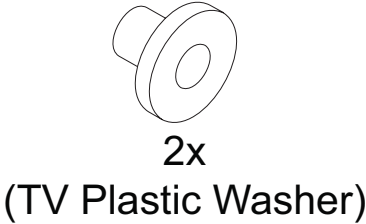
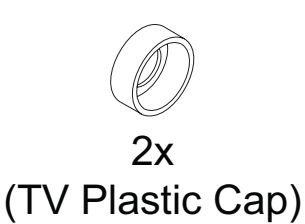
Customer Service: 561-417-0999

# Supplied Parts and Hardware

Before starting assembly, verify all parts are included and undamaged. If any parts are missing and damaged, do not return the item to the retailer; contact Customer Service. Never use damaged parts.

TV Mounting Hardware located on the TV Mounting Bracket Contains:

- 2 pcs. of TV plastic caps
- 2 pcs. of TV plastic washers
- 2 pcs. of M8X40
- 2 pcs. of M8X25
- 2 pcs. of M6X30
- 2 pcs. of M5X30
- 2 pcs. of M4X30



# 1: Plug Lift to Wall

- A) Pull the power cord out of one of the two holes in the bottom of the cabinet. Choose the exit hole that will be nearest your wall outlet.

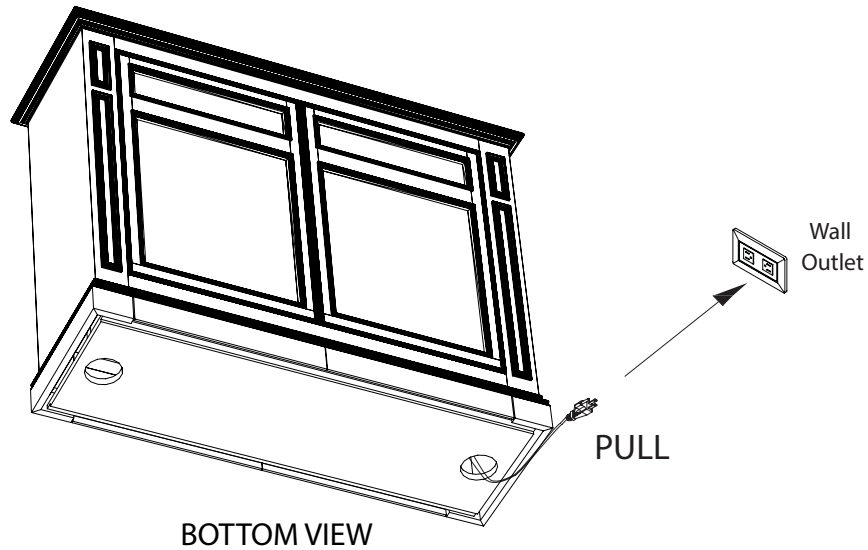
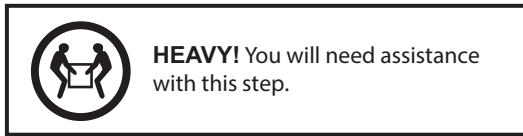


Fig. 1

B)



Using two people, slide the cabinet into place.

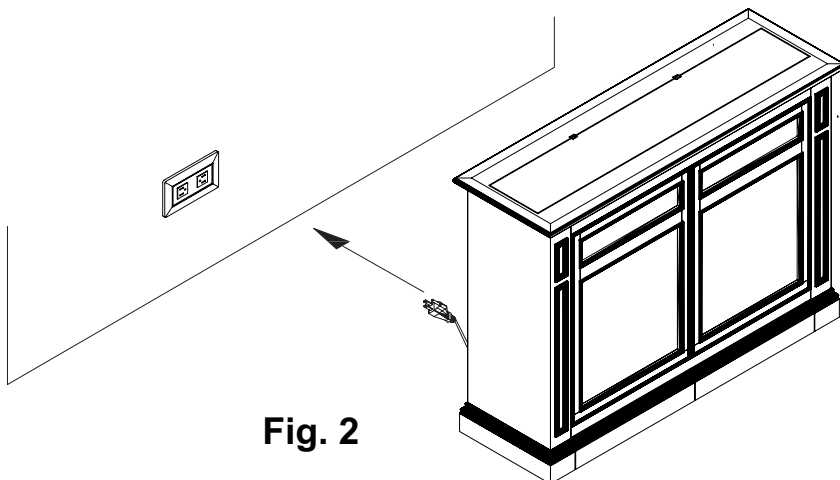
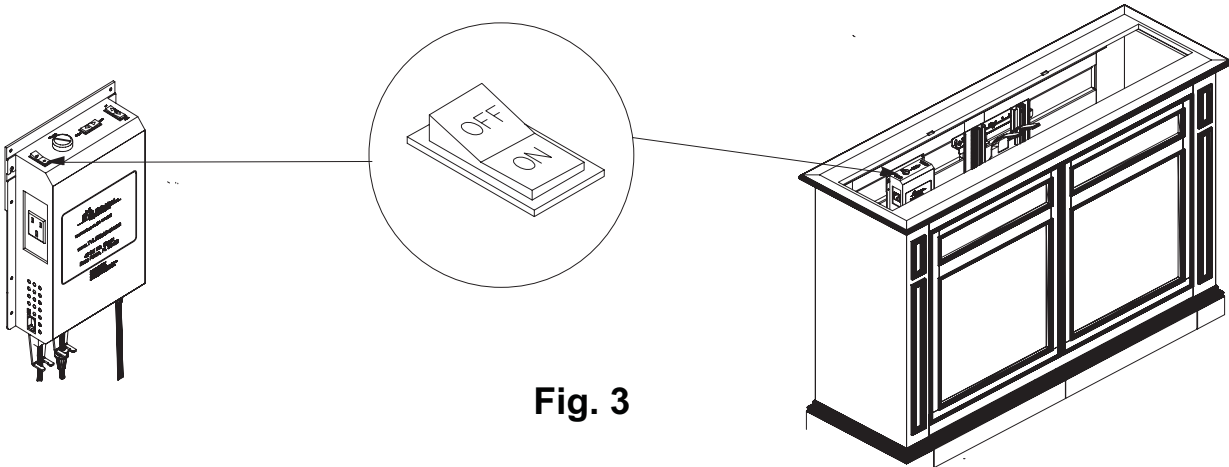


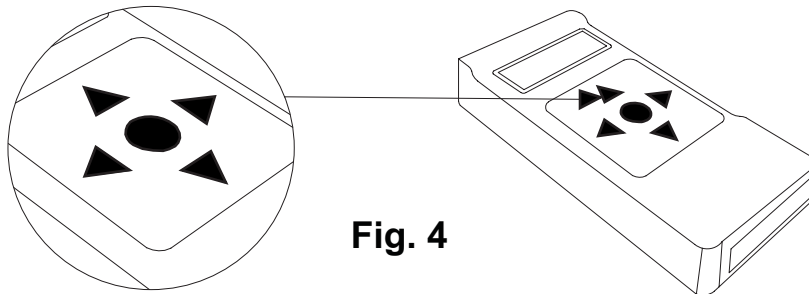
Fig. 2

## 2: Raise Lift

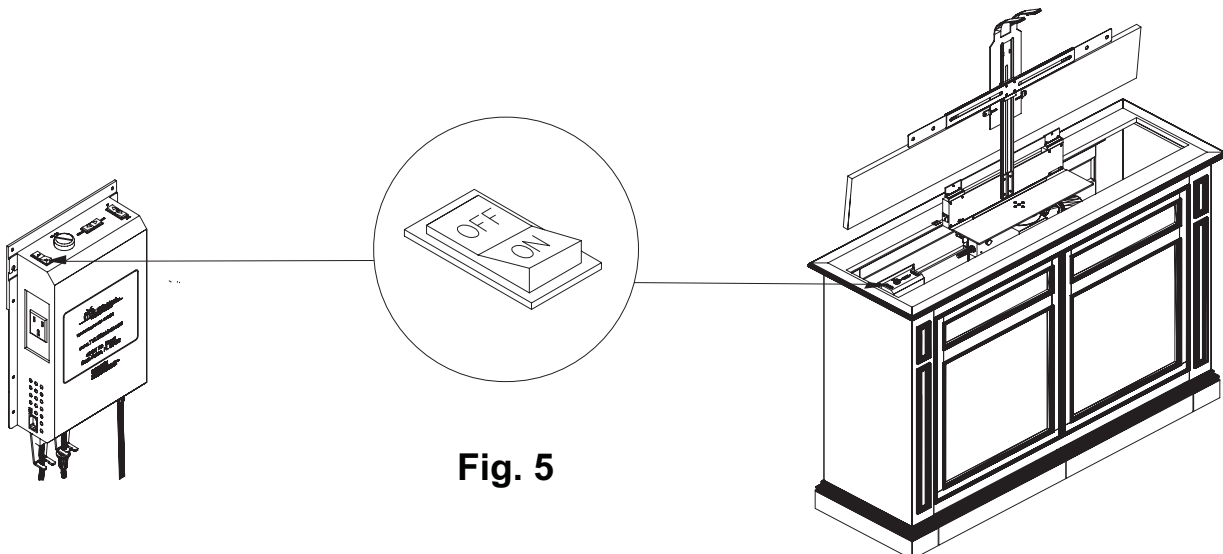
- A) Remove lid from cabinet and place on a safe surface.  
Turn power on by toggling the switch to the on position.  
(The control box is located behind the lift).



- B) Using the remote, press and release the UP button on the remote control unit.

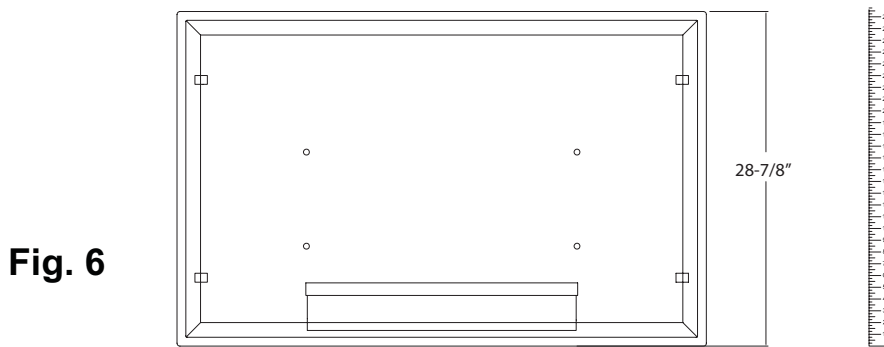


- C) With lift completely in the up position, turn the lift OFF on the manual control box.

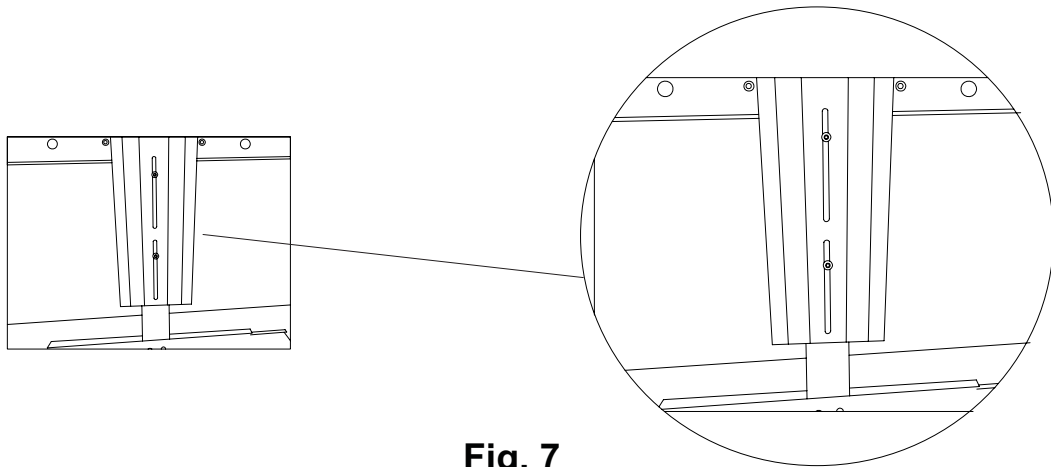


# 3: Mounting Your TV

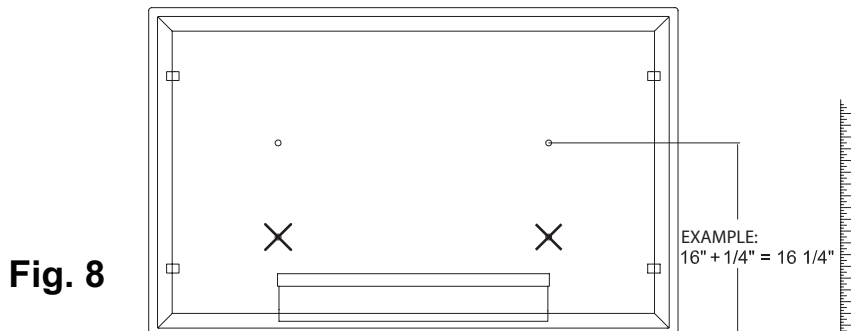
- A) Remove the stand from your TV.
- B) Measure the overall height of your TV without the stand.



- C) Adjust "vertical push arm" to the measurement calculated in "B" + add 3/4" by loosening the bolts, raising to position and tightening. This will allow the "push arm" to sit just above your TV.



- D) Measure the distance from the bottom of your TV to the middle of the threaded inserts on the back of your TV.  
Note: Use the top two threaded inserts and not the bottom.



- E) Add 1/4" to that dimension.

- F) Adjust horizontal mounting bracket to the measurement calculated in "E" by manually raising or lowering the horizontal TV bracket. Your measurement should be from the small TV platform to the center of the slot on the TV bracket as shown in Fig. 8.

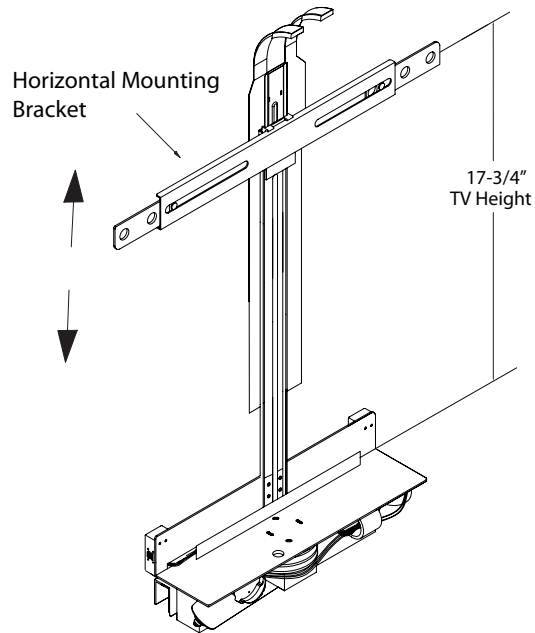



Fig. 9

G)



**HEAVY!** You will need assistance with this step.

Using two people, place TV on platform and attach to bracket using the supplied plastic caps, washers, and bolts.

**⚠ WARNING**

You should not feel resistance when threading bolts into the back of the televisions. If you feel resistance, stop immediately and call Customer Service : 561-417-0999

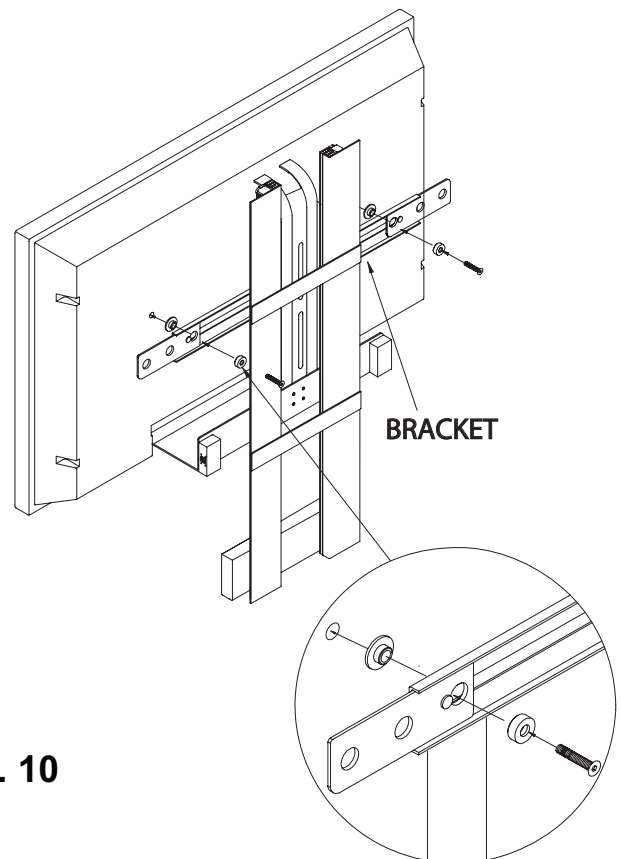
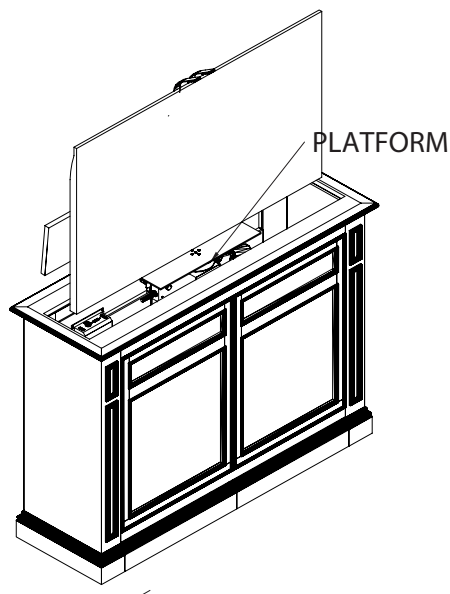
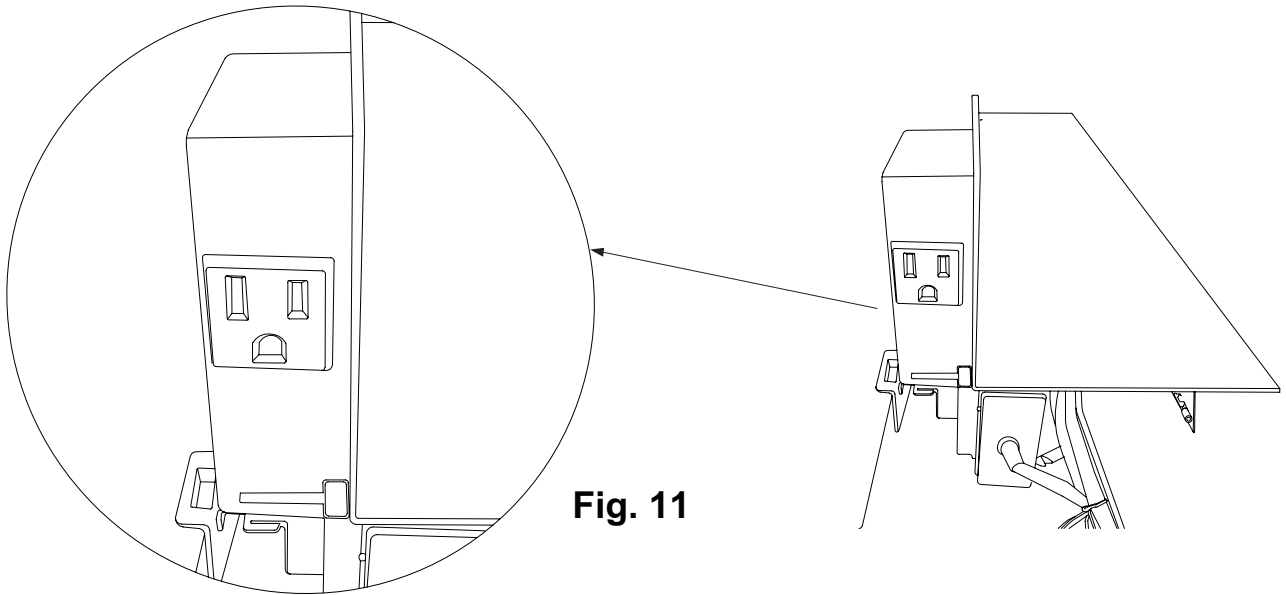
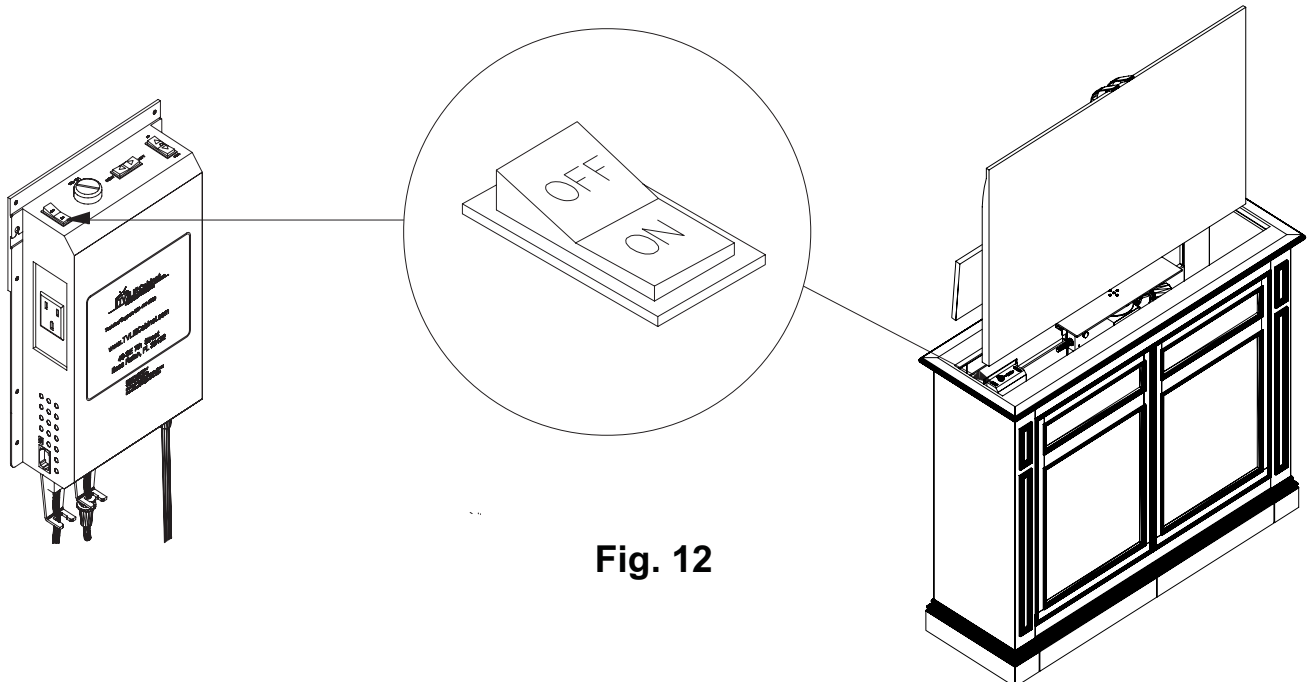


Fig. 10

- H) Plug TV into the outlet located on the manual lift. Make sure you zip tie the wire so it does not get tangled during movement.



- I) Turn lift on by toggling manual control switch to the ON position.



- J) Using the manual controls, drive the lift down into the cabinet.  
(Fig. 13).

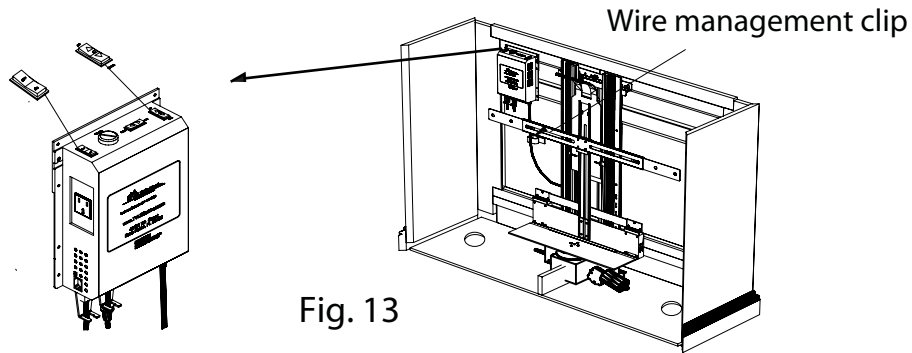


Fig. 13

**CAUTION**

Watch carefully to see that all wires and cords are not rubbing on the lift and or cabinet and that they are not being pulled. Use the two wire management clips as needed to keep wires from being tangled or entrapped. Watch the cabinet lid and prepare to remove it in case if it is misaligned or it could fall. If misaligned see #6.

If the TV appears to be crooked, you can make fine adjustments to level it

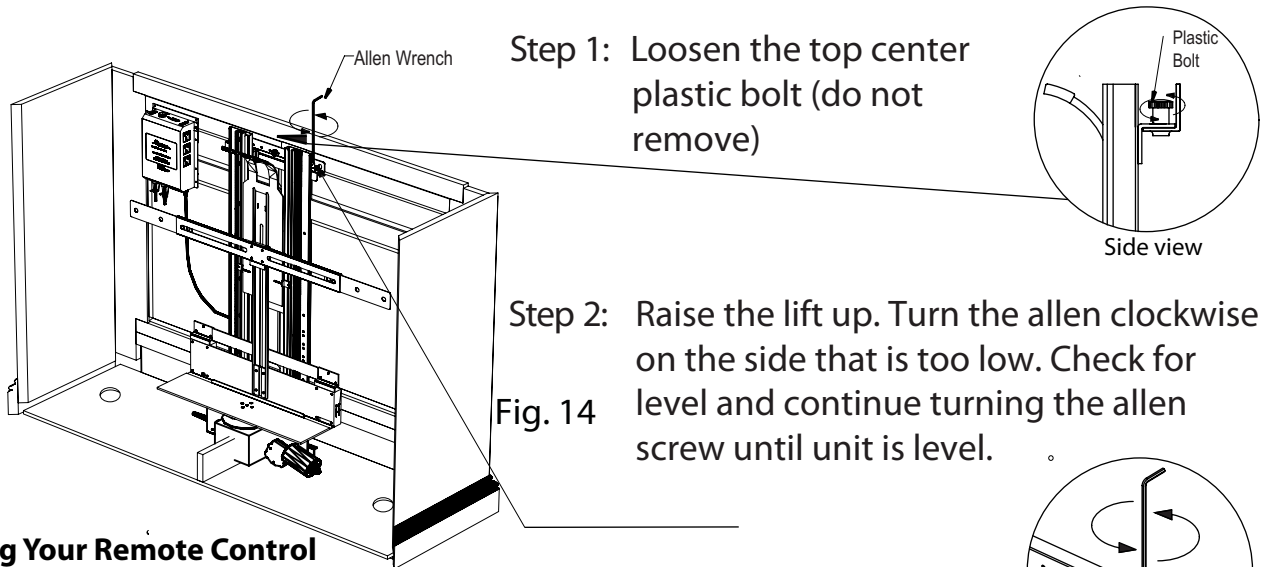


Fig. 14

**Syncing Your Remote Control**

If the manual up/down switches are operating your lift but the remote control is not, your remote has likely lost its connection to the lift. This can be corrected by syncing your remote with the lift as follows:

1. Drive the lift into the down position.
2. Turn the lift off on the manual control box.
3. Leave the lift off for 60-90 seconds minimum.
4. After 60-90 seconds has expired, press and hold the up button on the remote control.  
The red light on the remote should stay on.
5. Keeping the remotes up button depressed, turn the lift on.
6. After 2-5 seconds, the lift should begin running up.
7. Release the up button as soon as the lift begins to move.



Questions? Call us at Customer Service: 561-417-0999

- K)** Install the lid onto the cabinet by carefully inserting lid pins into the cabinet cups. Gently lower the lid into the cabinet.

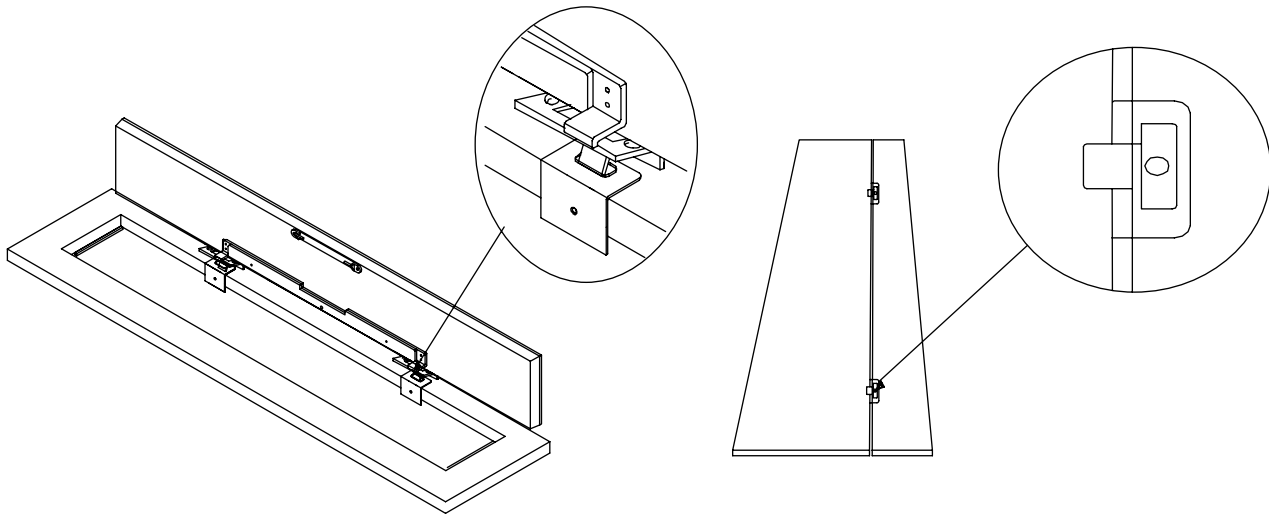


Fig. 15

- L)** Center the lid in the opening left to right assuring the gapping is as per the drawing below.

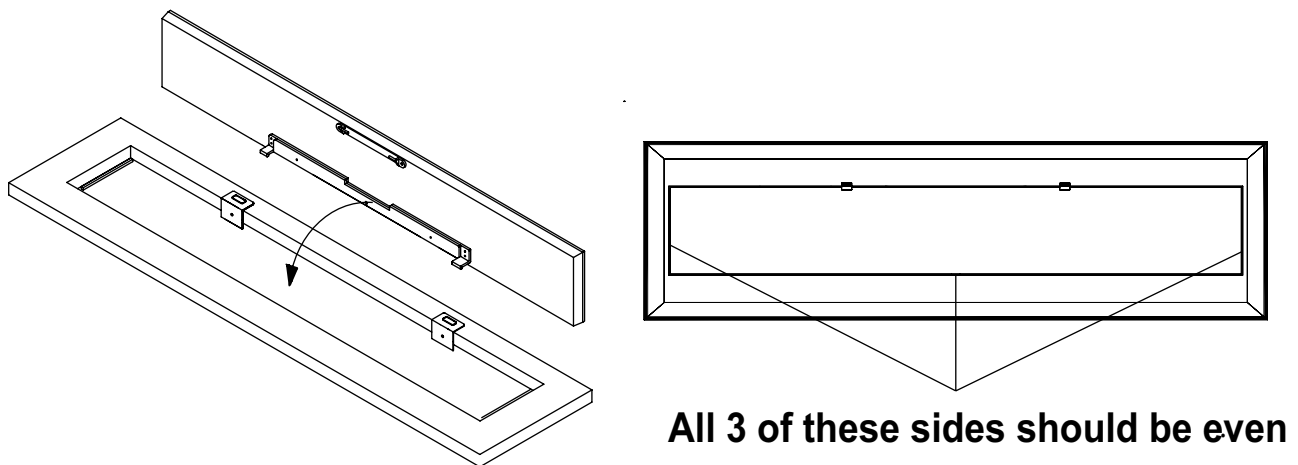


Fig. 16

**M)** Press the up button on the lift and be ready to support the lid should it jump off the guides.

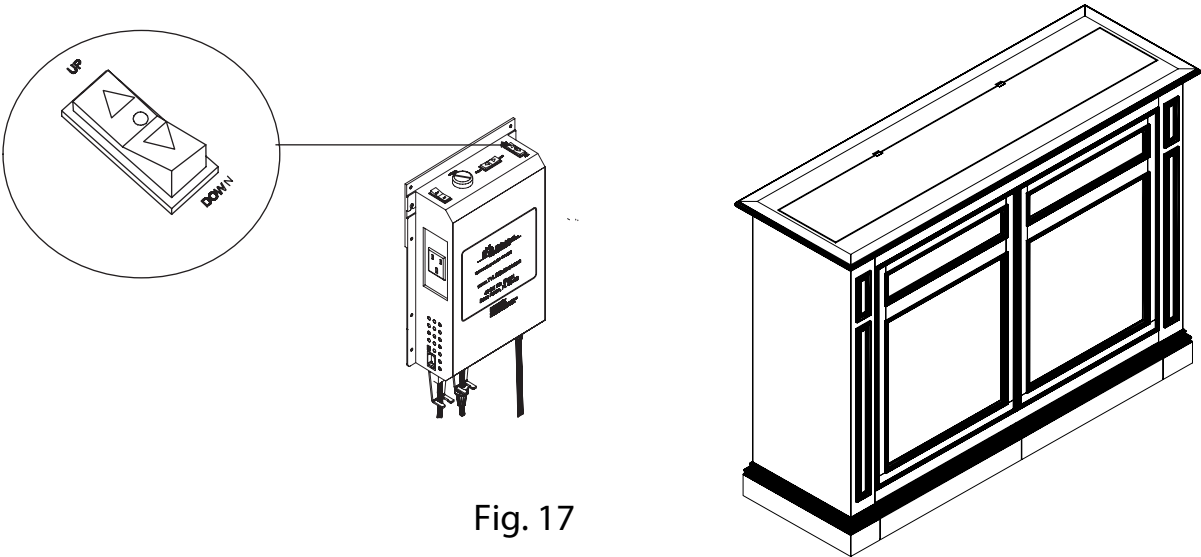


Fig. 17

**N)** If the lift successfully rises, press the down button. Again, make sure you prepared to support the lid in case it jumps off the guides.

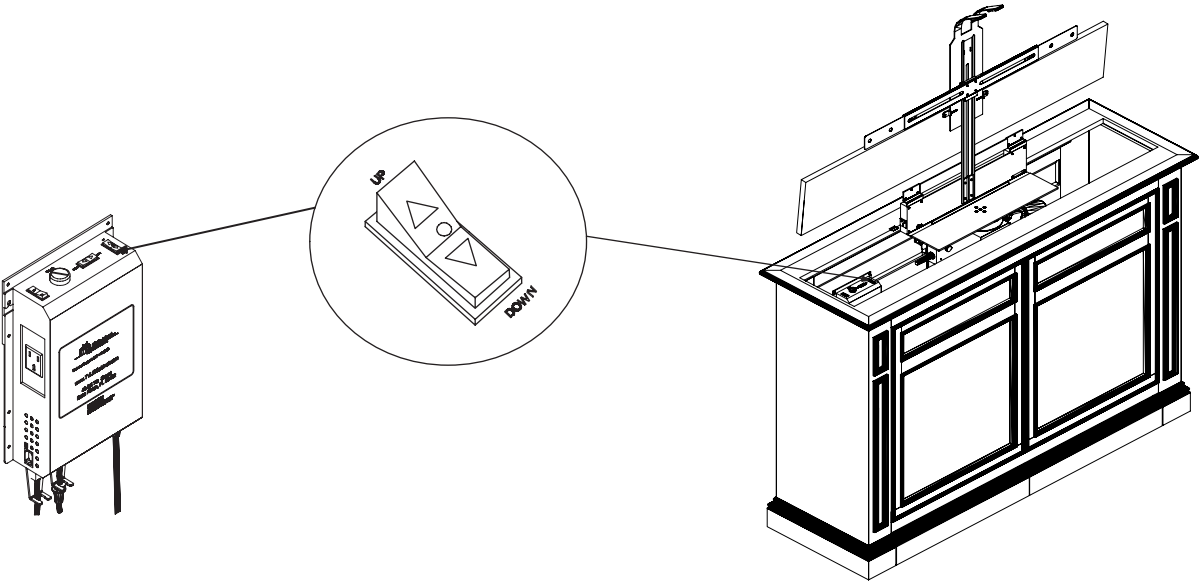
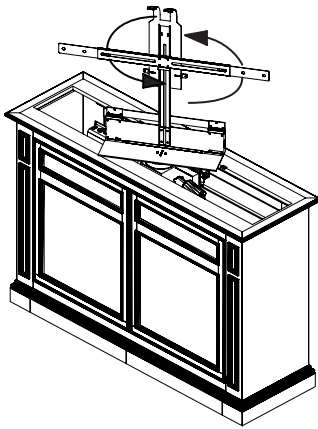
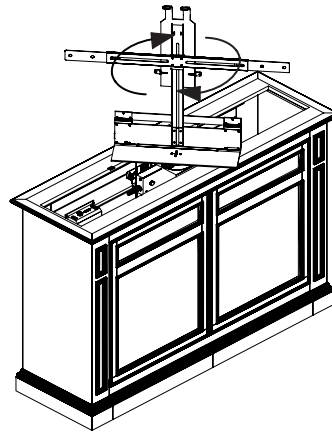


Fig. 18

- O) If the up and down function caused the lid to come off the guides or off center, you need to determine if the lift needs to be adjusted clockwise or counter clockwise.



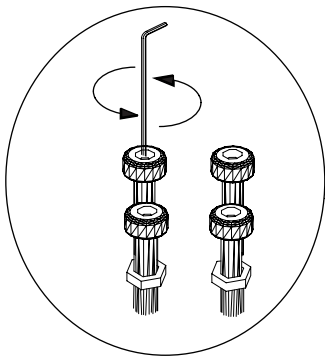
Counter Clockwise



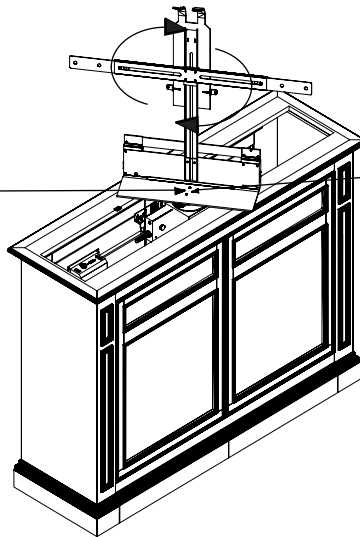
Clockwise

Fig. 19

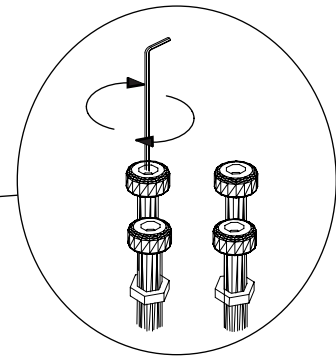
- P) Adjust the lift as follows.
- Loosen the 4 black allen bolts on the padded platform (**Do not loosen the chrome allen heads**).
  - Turn the lift as needed.
  - Re-tighten allen bolts.



A



B



C

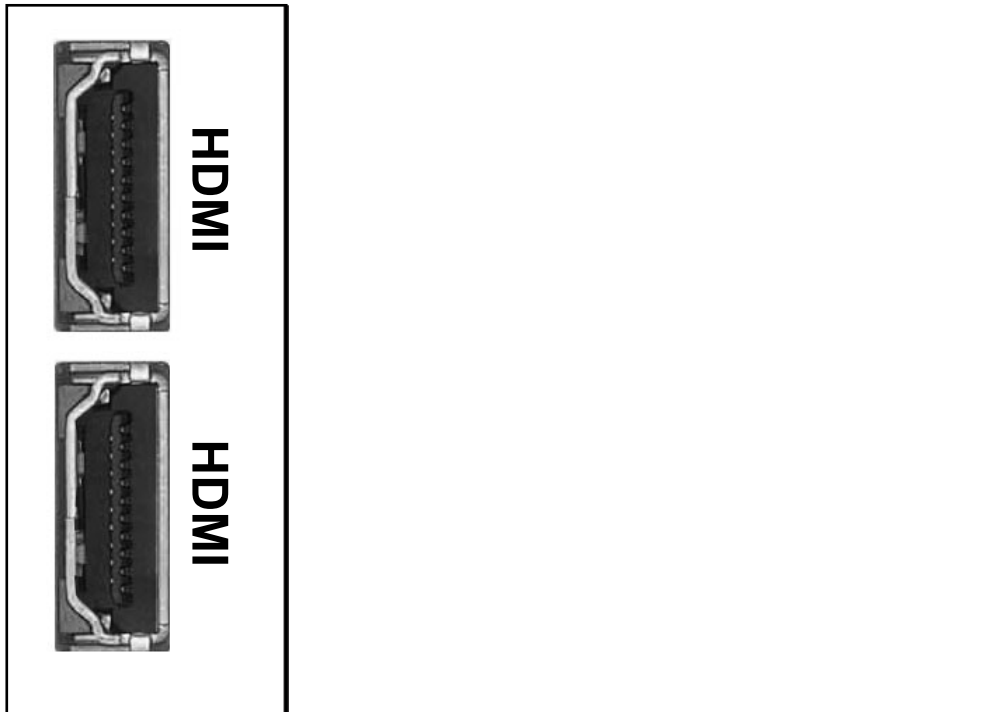
Fig. 20

- Q) Repeat steps L-N.

## 4: Installing Your Components

- A) In each drawer you will find a pre-wired HDMI cable. Plug this cable into your equipment.
- B) The lift has 2 HDMI ports. Using your 3 foot or smaller cable, plug you cable into the lift and the other end into our TV.

**Note: Do not run any cable other than the pre -wired or you may get them entangled on the lift.**



- C) Plug your equipment placed in the drawer into the surge protector. Located on the floor of the TV lift shaft.

## 5: Infrared System (IR)

(applies to certain models only)

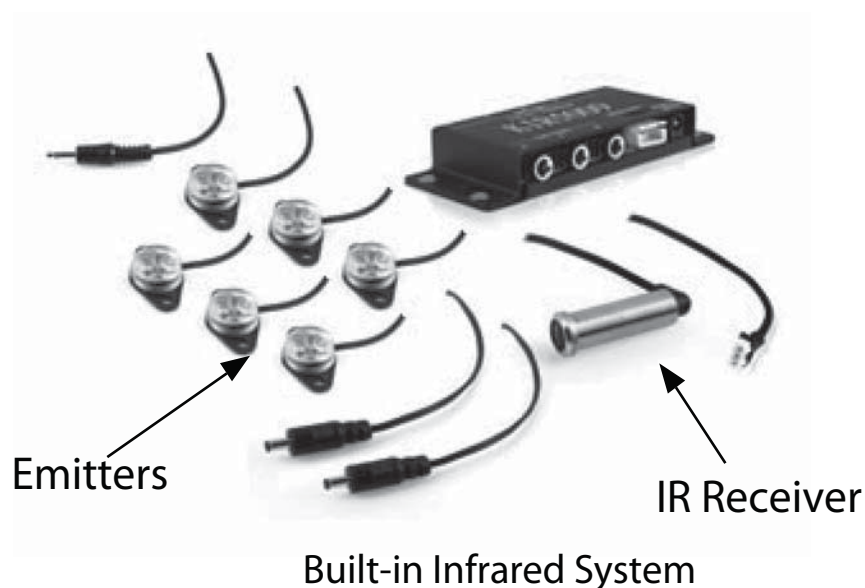
### Take control of your components

Infrared components require line of sight to operate via remote control. The TV Lift Cabinet infrared products provide a window from your handheld remote to your components that are out of the line of sight enclosed in our cabinetry.

Our Plasma/LCD/LED friendly IR receivers are compact and blend into our furniture very well.

While many consider infrared products to be accessories, TVLiftCabinet has a different approach. We view all are products as integral parts of the overall system. Therefore, all TV Lift Cabinet IR products are pre-installed with simple connections, engineered to integrate with a vast number of products and designed to perform with exceptional reliability.

Simply install your components on shelves or drawers that contain an emitter (equipment must be 1" or more behind the emitter) and you will have full control of that equipment from behind closed doors.



\* Works with 97% of all equipment

# 6: Steps to Reverse Cabinet Over Drawers

(applies to certain models only)

1. Lift lid on the furniture.



You may also open the doors to help route your cables to and from the TV and equipment in drawers.

2. Reaching your arm in, push the doors open.



Our infrared system is designed to find your equipment in the drawers. There is nothing to attached or program.

3. Using an allen wrench, remove all bolts by reach through the arm holes.



Simply position your equipment a minimum of 1" behind the drawer face to allow the IR system to find your equipment.

4. Lift and turn cabinet 180 degrees (do not drag cabinet over drawer box).






Note:  
Your cabinet is reversible. It may be used against the wall (drawer faces must be on the same side as TV screen) or at the foot of the bed (drawer faces must be on the opposite side of the TV screen).

5. Re-insert and tighten bolts.



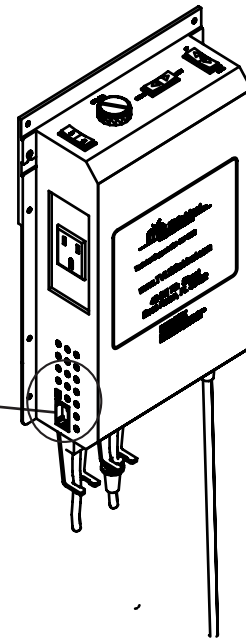
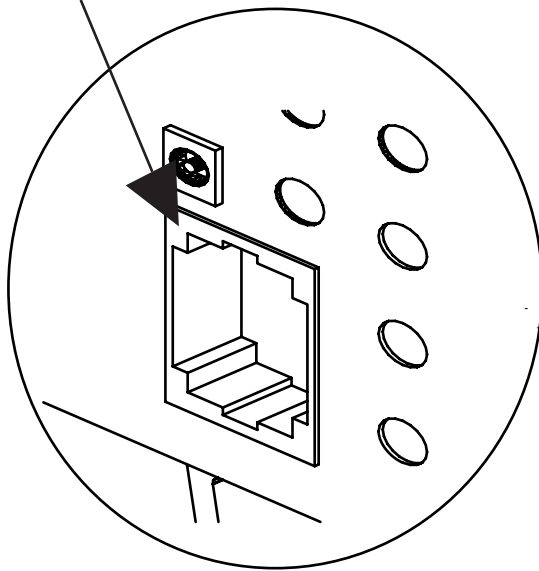
6. Open both drawers and plug the cables into the 2"X3" metal box bolted to interior wall. Insert the plugs into any emitter port.



HARDWARE LIST		
No.	Parts	Qty
1	 Allen Screw	4 pcs.
2	 Lock Washer	4 pcs.
3	 Washer	4 pcs.

# 7: RJ45 Port Wiring Diagram

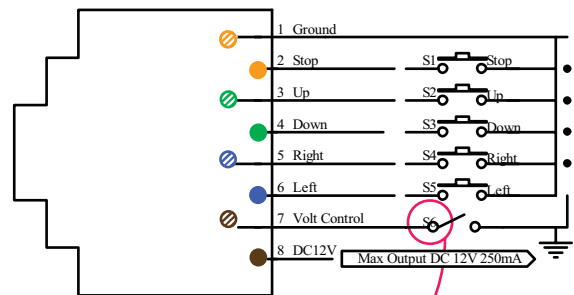
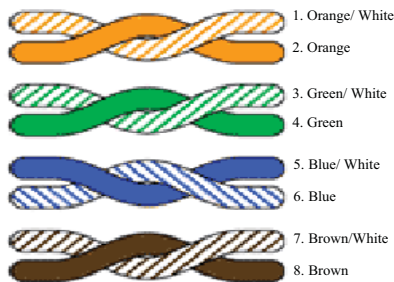
RJ45 Port



Control Box



RJ45 PLUG



Switch S6

Under normal operation, Switch S6 will switch to ON position, Lift will raise in 3 seconds. When Switch S6 switch to OFF position. Lift will lower in 3 seconds.

**Note:**

The RJ45 port on the Swivel Lift is driven by short-circuit or open-circuit to control lift of UP/DOWN/LEFT/ RIGHT.