

## Model #DV-1K0193

Overall Dimension: 32.99" L x 19.02" W x 10" H

## Features:

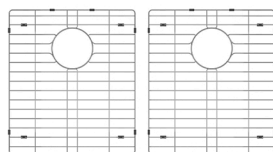
- Made from high-quality, scratch-free stainless steel, this sink features a sturdy thickness and sleek round corners, ensuring durability and easy cleaning.
- Designed for quiet performance with rubber-dampening pads and a sound guard undercoating that significantly reduces noise.
- A slightly sloped bottom ensures water drains quickly and efficiently, preventing pooling and keeping your sink clean and dry.
- This double-basin kitchen sink is perfect for multitasking in the kitchen, with a depth of 10 inches and a 3.5-inch standard drain that is compatible with most garbage disposals.
- Undermount sink installation creates a seamless transition from sink to countertop with no exposed mounting deck to trap debris – simplifies cleanup by letting you wipe water and crumbs right into the sink.



## Package Included:



● Undermount Kitchen Sink  
(DV-1K0193)



● Sink Grids  
(DV-K0193G35)



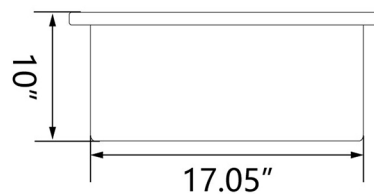
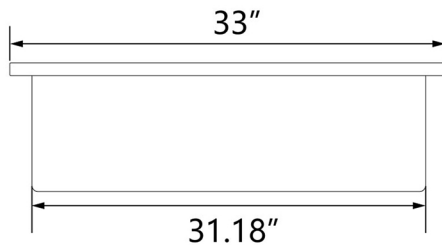
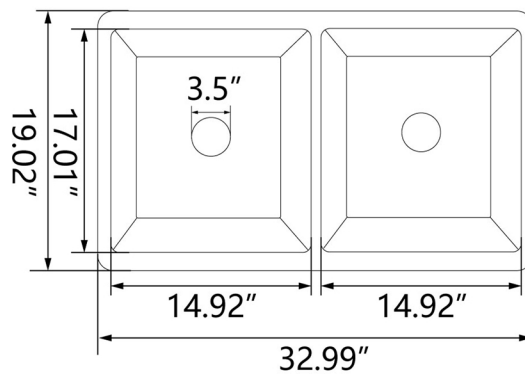
● Basket Strainer  
(DV-1D905)



● Installation Kit  
(DV-K0192P41)

## Technical Specifications:

- + Outer: 32.99" L x 19.02" W x 10" H
- + Single Basin Interior: 14.92" L x 17.01" W x 10" H
- + Sink Type: Double-basin sink
- + Weight: 23.54 lbs
- + Drain: 3.5" diameter
- + Minimum Cabinet Size: 33"



#DV-1K0193

Sinks are manually measured, so sizes may vary slightly.

**1 Year Warranty**

All DeerValley kitchen sinks come with our warranty within one year.

