

ACT3029 - Traditional Bridge

Product Finish: Brushed Nickel

EAN13 barcode: 5060879990074



Product features:

- Metal construction throughout (acrylic levers)
- Quarter turn handle action for precise flow control
- Antisplash spout supplied as standard
- Supplied with fixed 1/2" inlets
- Custom designed for lower to mid pressures

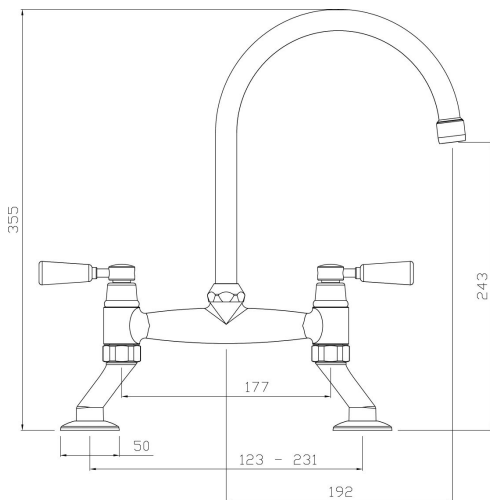
Additional information / Parts included:

2 x fixing nuts, 2 x upper seals, 2 x lower gaskets

Primary WRAS fittings number (see www.wras.co.uk):

None

Product dimensions:



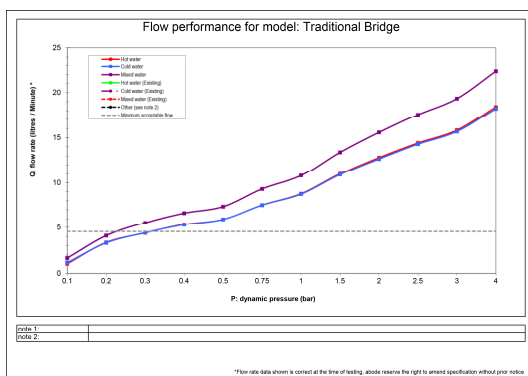
- Overall Height / projection: 355 mm
- Exit reach: 192 mm
- Exit height: 243 mm
- Centre distance(s): 123 - 231
- Base diameter(s): 50 mm
- Recommended hole diameter: Ø35 mm
- Max. surface depth: 80 mm
- Spout diameter: 18 mm
- Spout aerator size: M18 x 1f

Packaged properties:

Box length: 435 mm
Box width: 340 mm
Tap only weight: 1.44 kg

Box depth: 70 mm
Units per outer: 5
Boxed weight: 1.87 kg

Product flow characteristics:



- Min / Max water pressure: 0.30 / 5.5 bar
- Recommended / Max water temperature: 46°C / 70°C
- Part G - Mixed flow rate at 3 bar (litres / min): 22.34

- Control valve type: 1/2" ceramic disc, quarter turn operation
- Flow characteristics: Single Flow
- Non return valve(s): No, none required

- Aerator type: Honeycomb
- Spout connection method: Locking Collar

- Tail pipe inlet / outlet size: 1/2" / 1/2" Male / 15mm ID
- Inlet pipe type / length: Fixed Threaded Inlets / 120 mm

Care instructions summary:

- Clean the mixers and showers regularly as required, using soap, do not use any other cleaners.
- Regular cleaning will prevent the build up of lime scale and dirt
- After cleaning rinse thoroughly with clean water to remove any cleaner residue
- Residues of sink & worktop cleaners can also cause damage, so rinse with clean water after using, avoid contact with any abrasives

Warranty Summary (Full details available on request):

- Materials and workmanship defects warranted for 5 years
- Valves and working parts warranted for 5 years
- Surface warranty defects warranted for 1 year
- O-rings, hoses & gaskets warranted for 1 year