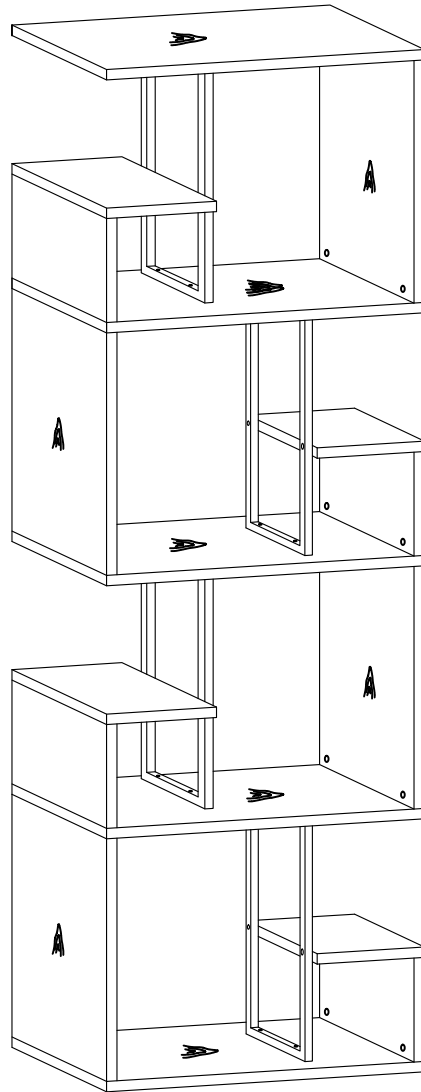
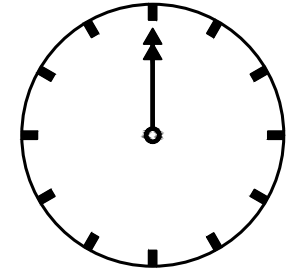


Assembling Instruction



PRODUCT DIMENSIONS

600*240*1740MM

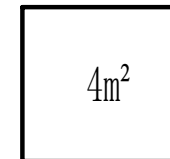


40 MIN

APPROXIMATE ASSEMBLY TIME



Single-Person Assembly



FLOOR AREA 2M*2M

REQUIRED ASSEMBLY SPACE

General Guidelines – Important Notice

● General Guidelines – Important Notice

Before starting assembly, be sure to read these instructions in full.

Please keep this manual and hand it over when transferring the product. This summary may not cover all variants or every detail of the steps to be considered. If you have any questions during installation, please contact us and we will provide assistance within 24 hours.

● Precautions

This product is for indoor use only. Assembly and use must be carried out in accordance with the instructions.

To avoid damaging your product, ensure that your electric drill is set to a low-torque mode.

Do not expose the product to humid environments for extended periods to prevent mold growth. During assembly, first align all screws with their corresponding pre-drilled holes, then tighten them one by one.

Check the screws regularly; they may loosen after long-term use. Retighten them if necessary to ensure stability and safety.

The seller shall not be liable for any damage or injury caused by improper assembly or use.

● Warnings

Children must not assemble this product. During assembly, keep children and pets away from the work area. Keep all small parts out of children's reach to prevent fatal risks from swallowing or inhalation. Children must not stand on, climb on, or play on the product to avoid serious bodily injury from product tipping. Keep plastic packaging bags out of children's reach to prevent potential suffocation hazards. Avoid contact between sharp objects, corrosive chemicals and the product to prevent product damage or bodily injury.

● Tip-over Warning!

Tipping furniture can cause serious or fatal crushing injuries. To prevent tipping, be sure to use the included wall anchoring device (if the product is not equipped with one). Purchase a wall anchoring device that matches your wall size. If in doubt, seek professional advice. Read and follow each step in the instructions carefully.

Do not allow children to climb on the furniture or hang items on it

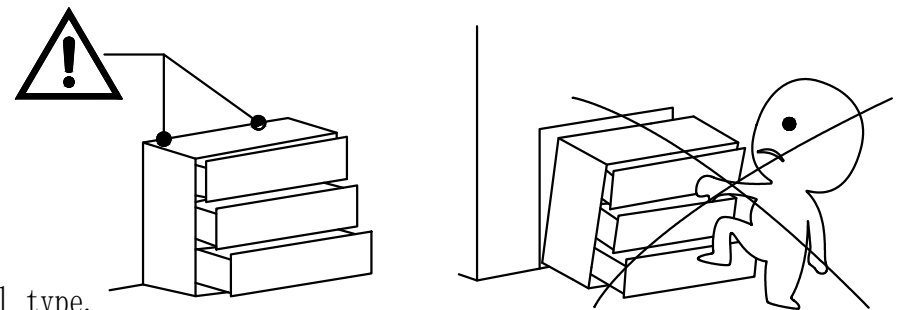
Do not open multiple drawers at once

Do not place heavy objects in the top drawer

Do not place heavy objects on top of the furniture

Note that only the anti-tip nails are provided.

You will also need to prepare wall plugs and screws suitable for your wall type.

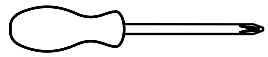


● Maintenance and Care

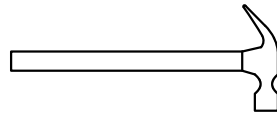
Clean the device only with a damp cloth. Inspect it regularly and use mild detergent; do not use bleach or abrasive cleaners to avoid damaging the device.

This device should not be disposed of with household waste and must be taken to a local government waste disposal center.

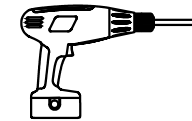
Tools required



Phillips screwdriver



Hammer



Electric drill

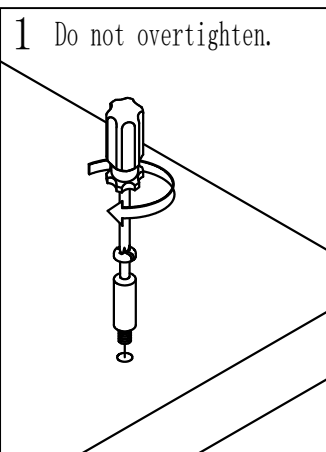
Ruler - Use this ruler to help correctly identify the screws



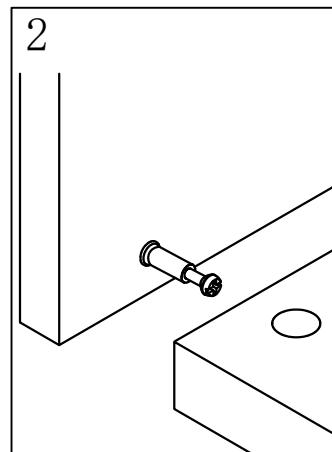
The screws length is measured from the head to the point (30mm screw shown).

Note: be sure to use the proper screws to avoid damaging the parts.

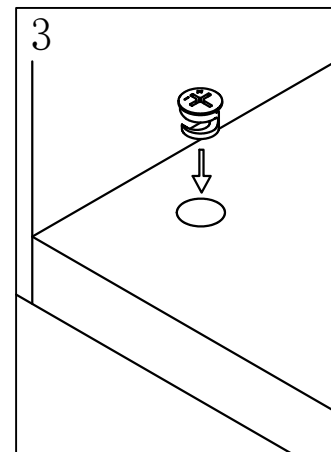
Using Camlocks



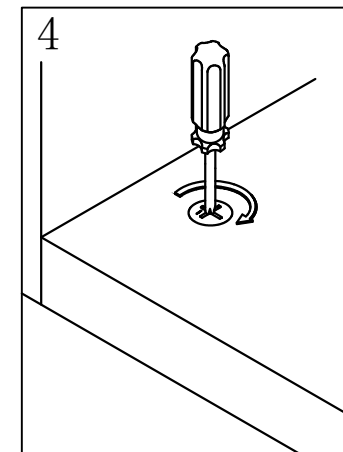
Step 1
Follow the guidelines outlined in the assembly manual and use a screwdriver to securely fasten the cam lock connecting rods.



Step 2
Insert the cam lock connecting rods into the designated entry holes properly.

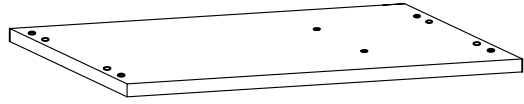


Step 3: Insert the cam lock as shown. Make sure the arrow on top of the cam lock points toward the opening where the dowel enters.

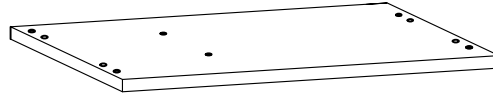


Step 4: Turn the cam lock clockwise with a screwdriver. You will hear a click when it is fully locked. The joint is now secured.

Main parts list



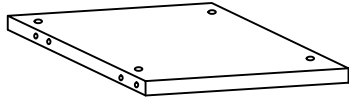
① X1



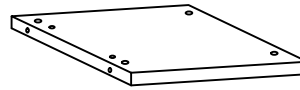
② X3



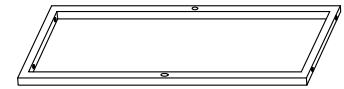
③ X4



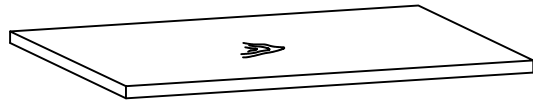
④ X4



⑤ X4

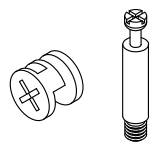

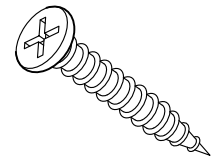

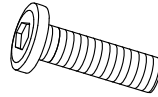
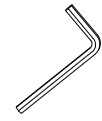
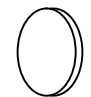

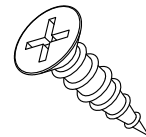
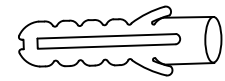
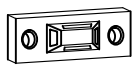
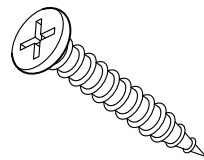

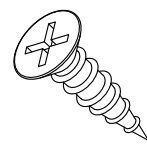


⑥ X4

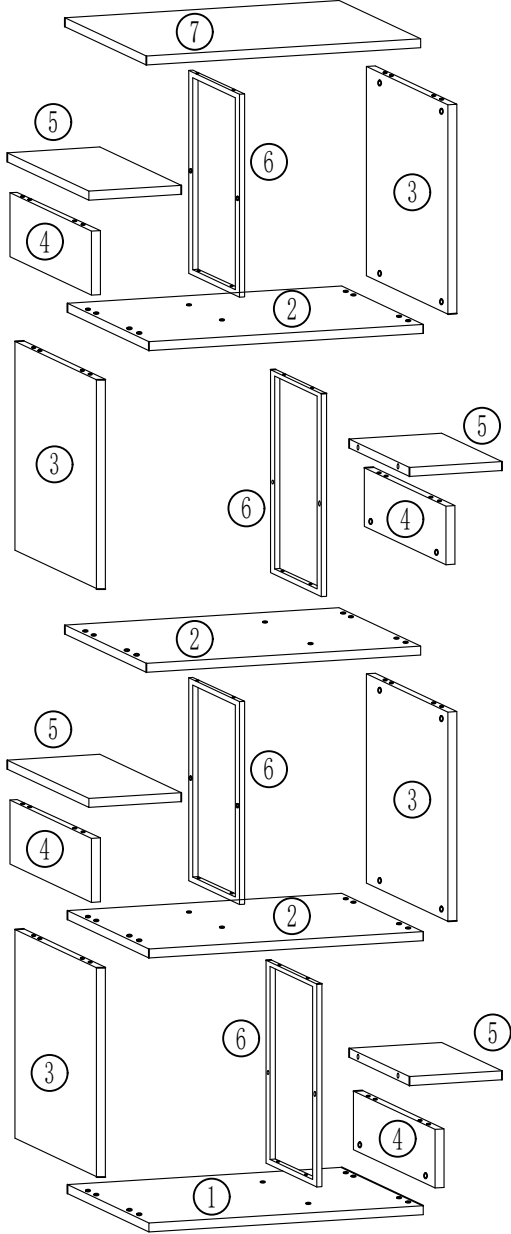


⑦ X1

Accessories List

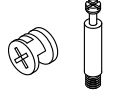

A	×32+2	B	×32	C	×8	D	×8	E	×16
									
28MM		φ 8*30		ST5*45		φ 9*9		M6*25	
F	×1	G	×40+4	H	×8	I	×16+2	J	×2
									
S=4		φ 22*1		19*19*18		ST3*12		φ 8*34	
K	×2	L	×2	M	×1	N	×2		
									
19*42*8		ST4*35		245*7*1		ST4*16			

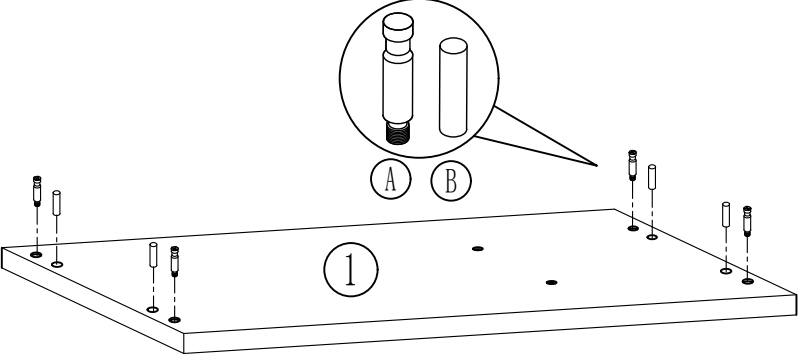
Assembling Instruction



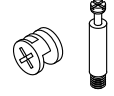

Assembling Instruction

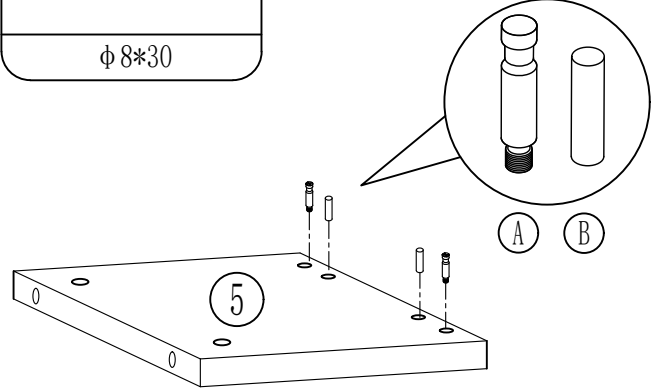
Step 1

(A)	X4	(B)	X4
			
28MM		φ 8*30	





Step 2

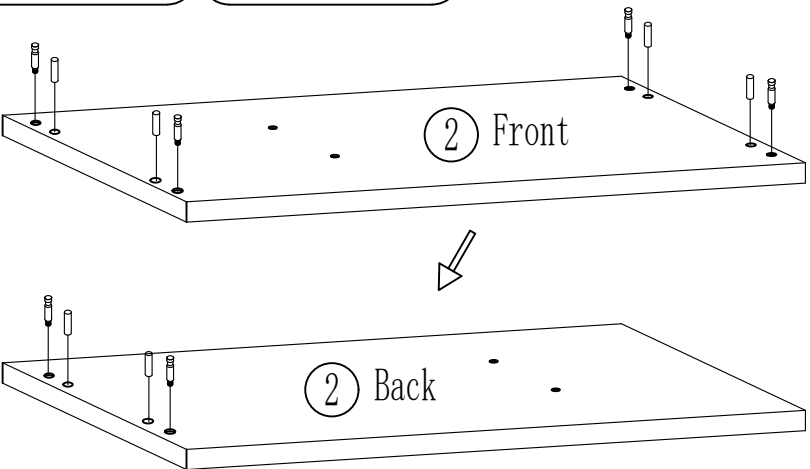
(A)	X8	(B)	X8
			
28MM		φ 8*30	



X4

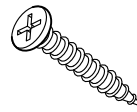

Step 3

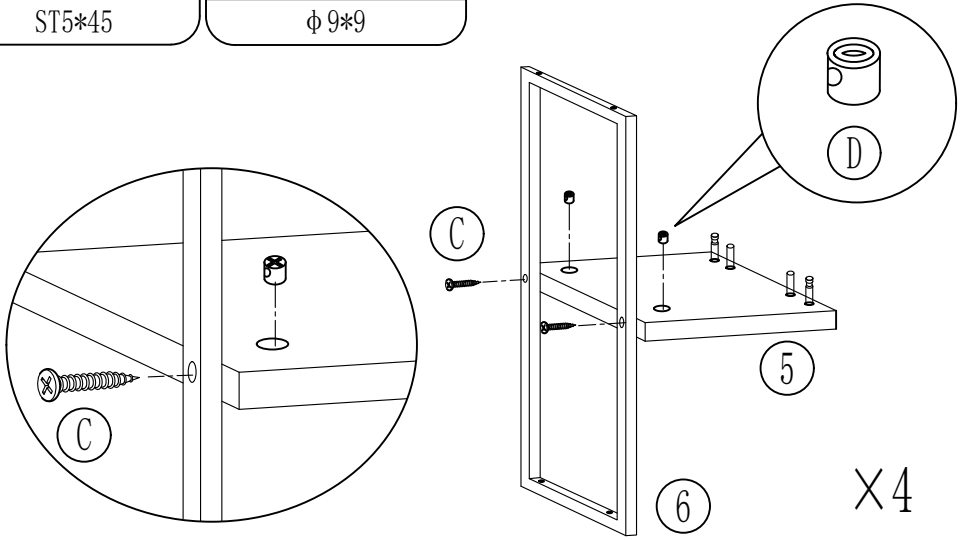
(A)	X24	(B)	X24
			
28MM		φ 8*30	



X4

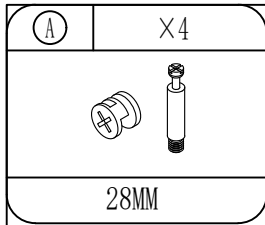
Step 4

(C)	X8	(D)	X8
			
ST5*45		φ 9*9	

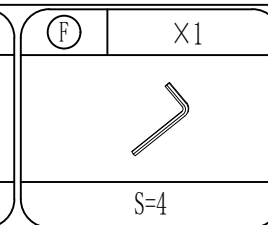
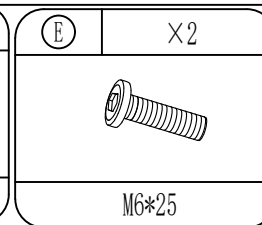
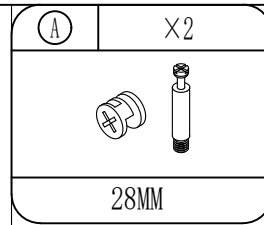
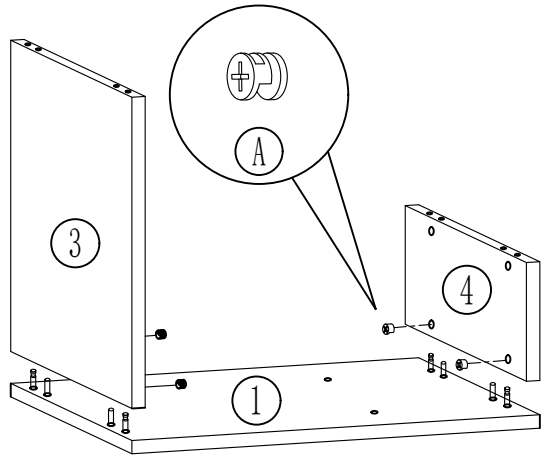


X4

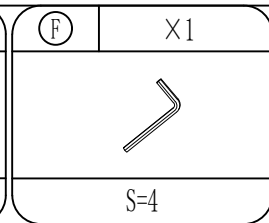
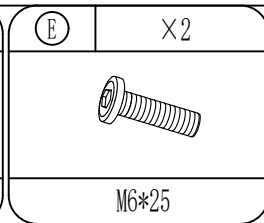
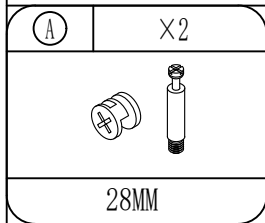
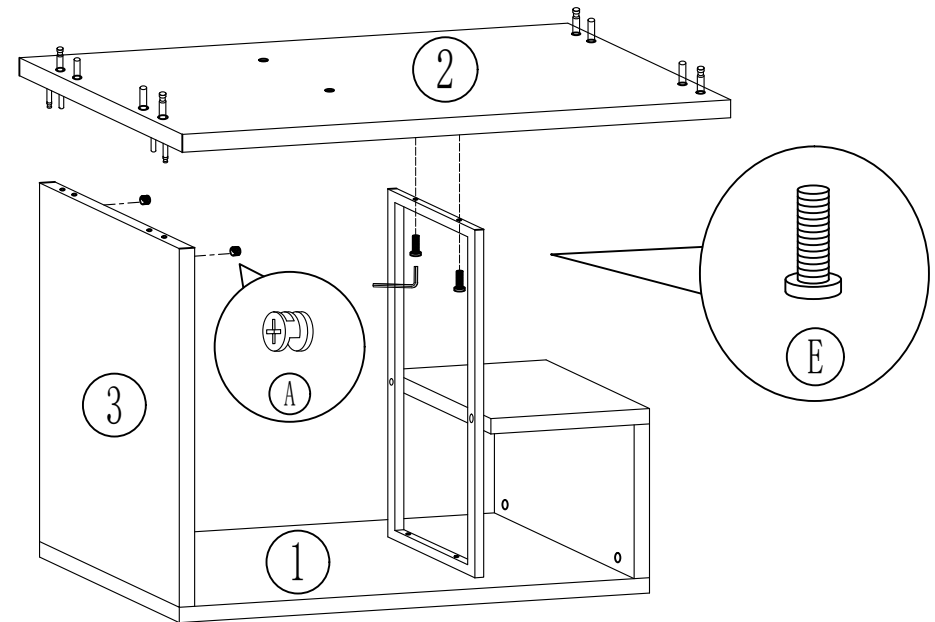
Assembling Instruction



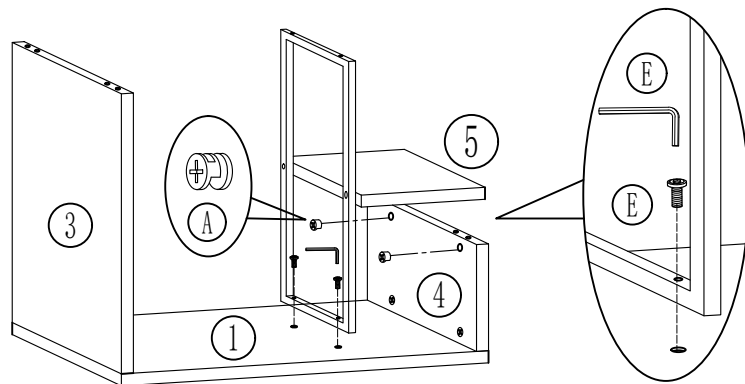
Step 5



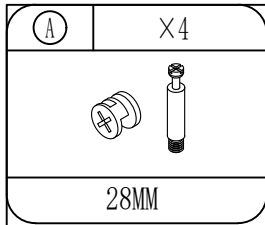
Step 7



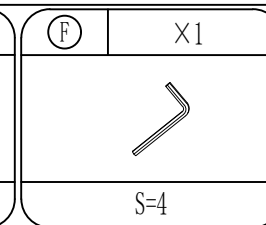
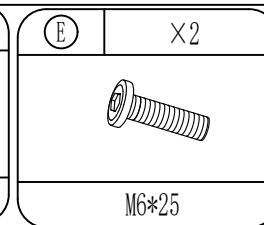
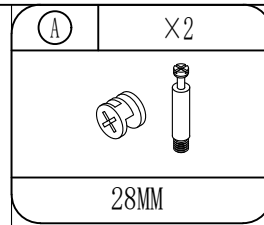
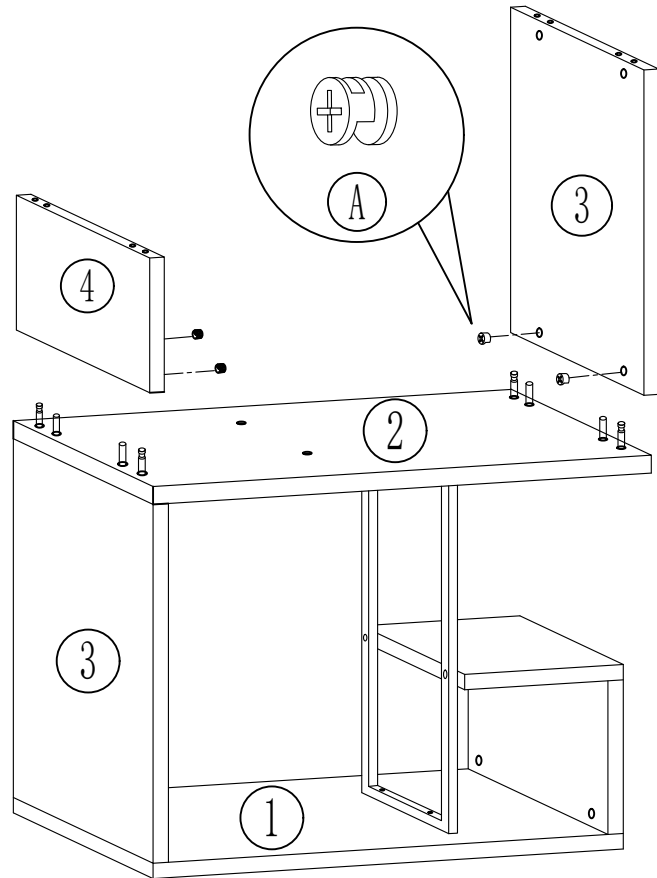
Step 6



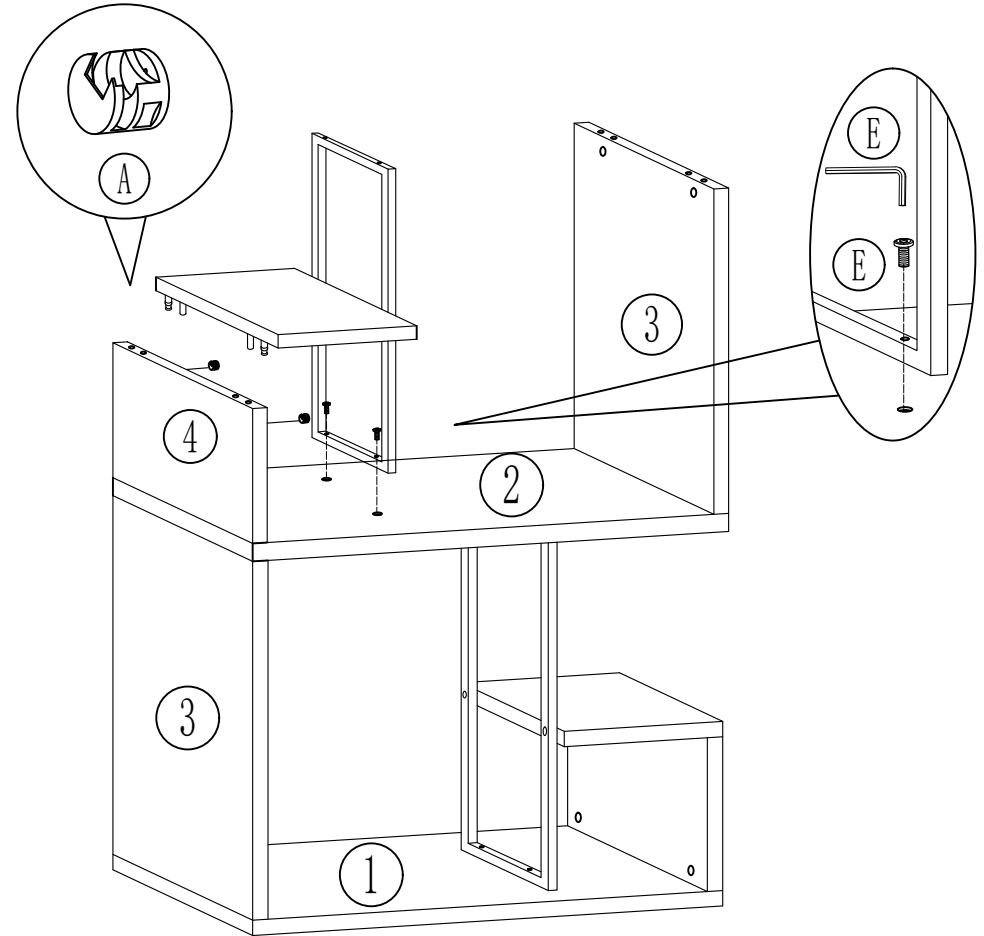
Assembling Instruction



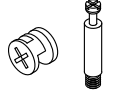
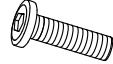
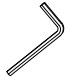
Step 8



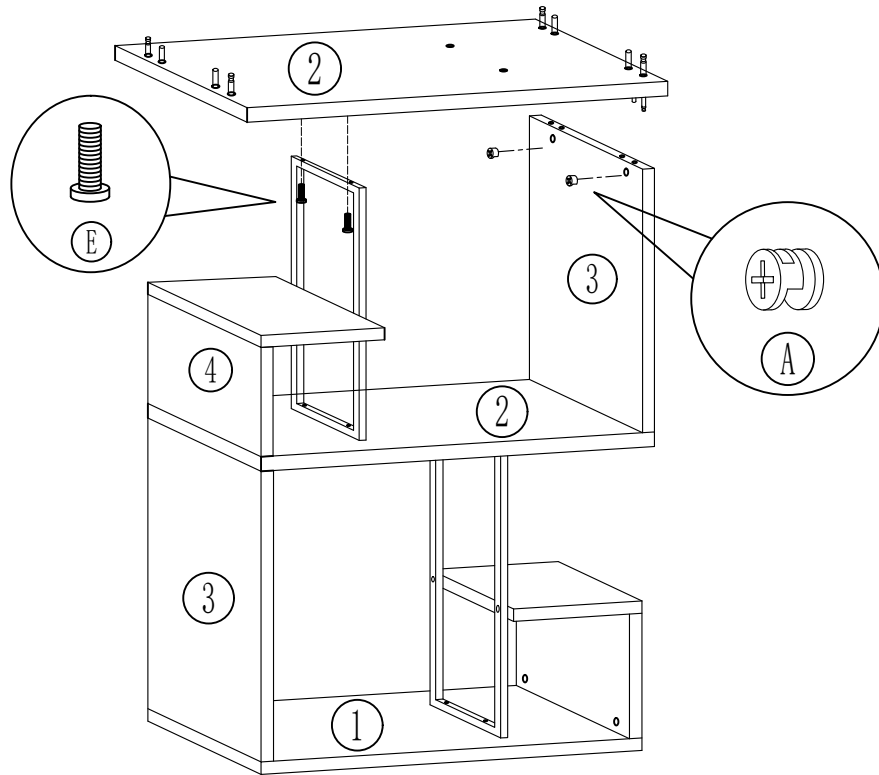
Step 9

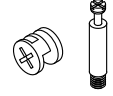


Assembling Instruction

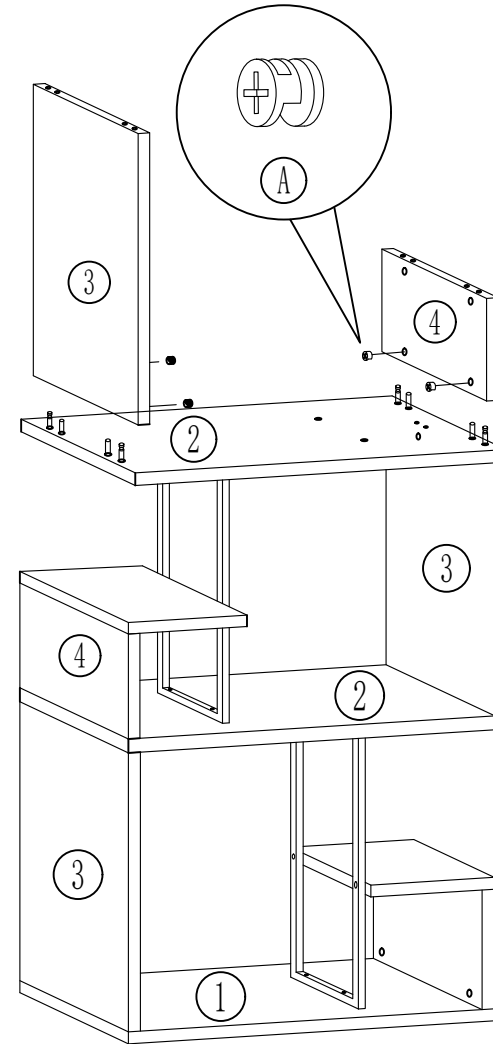
(A)	X2	(E)	X2	(F)	X1
					
28MM		M6*25		S=4	

Step 10



(A)	X4
	
28MM	

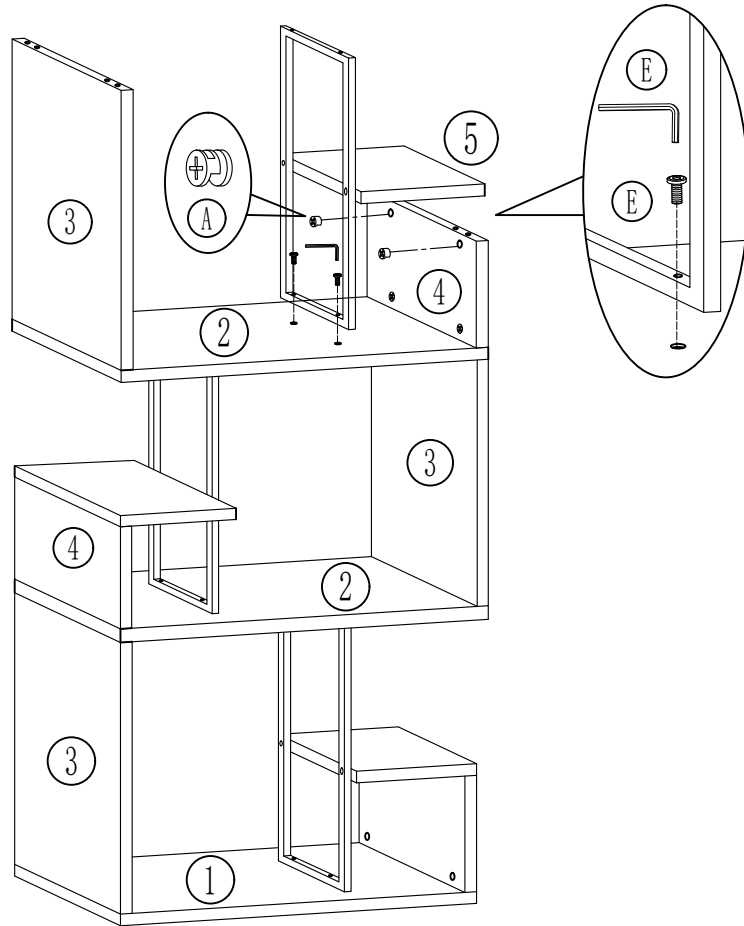
Step 11



Assembling Instruction

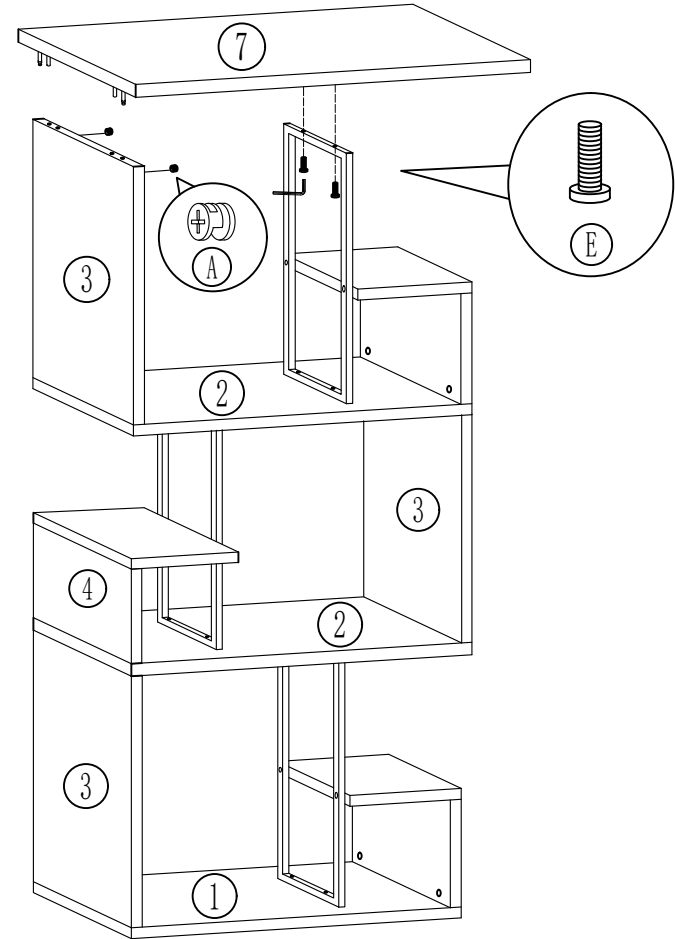
(A)	×2	(E)	×2	(F)	×1
28MM		M6*25		S=4	

Step 12

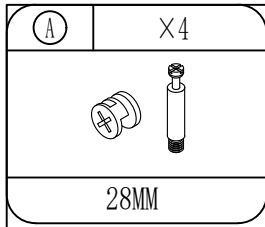


(A)	×2	(E)	×2	(F)	×1
28MM		M6*25		S=4	

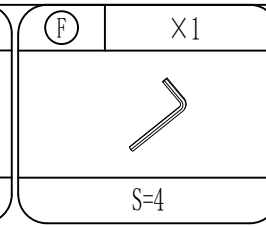
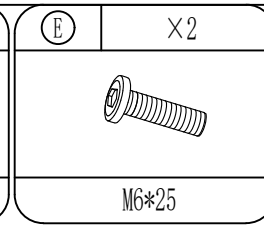
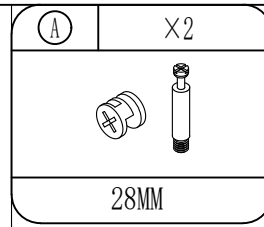
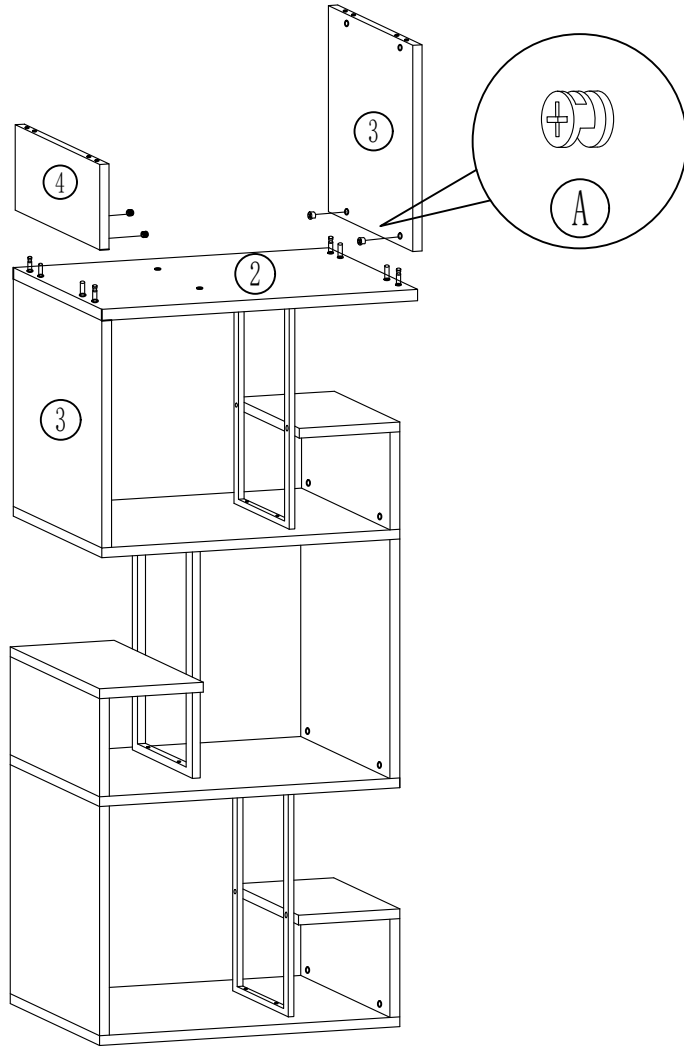
Step 13



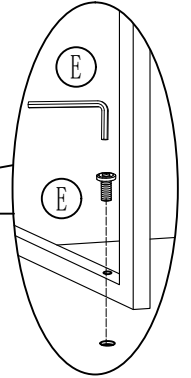
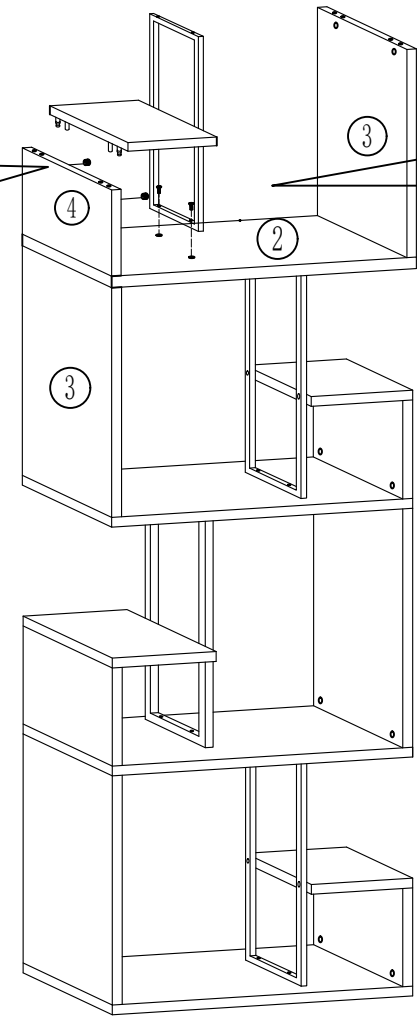
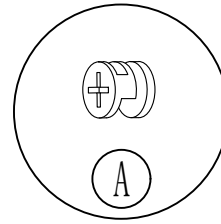
Assembling Instruction



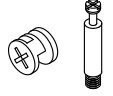
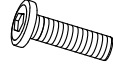
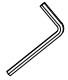
Step 14



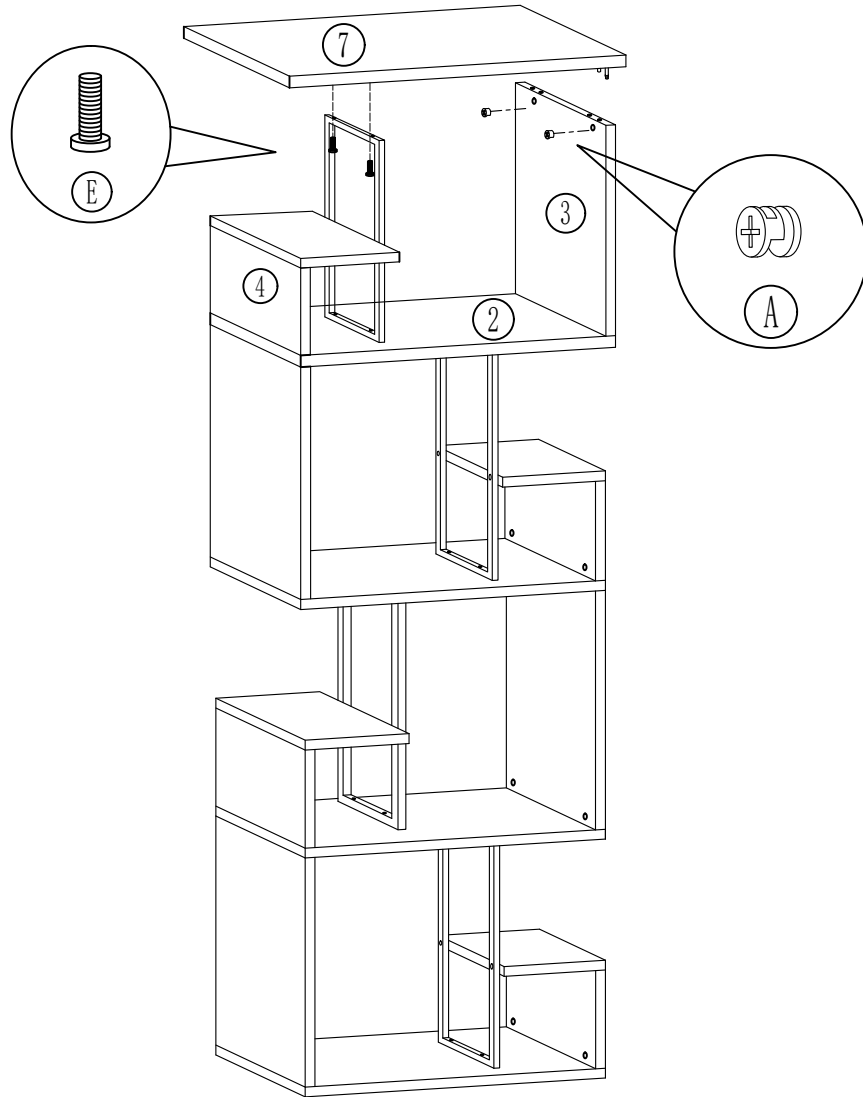
Step 15






Assembling Instruction

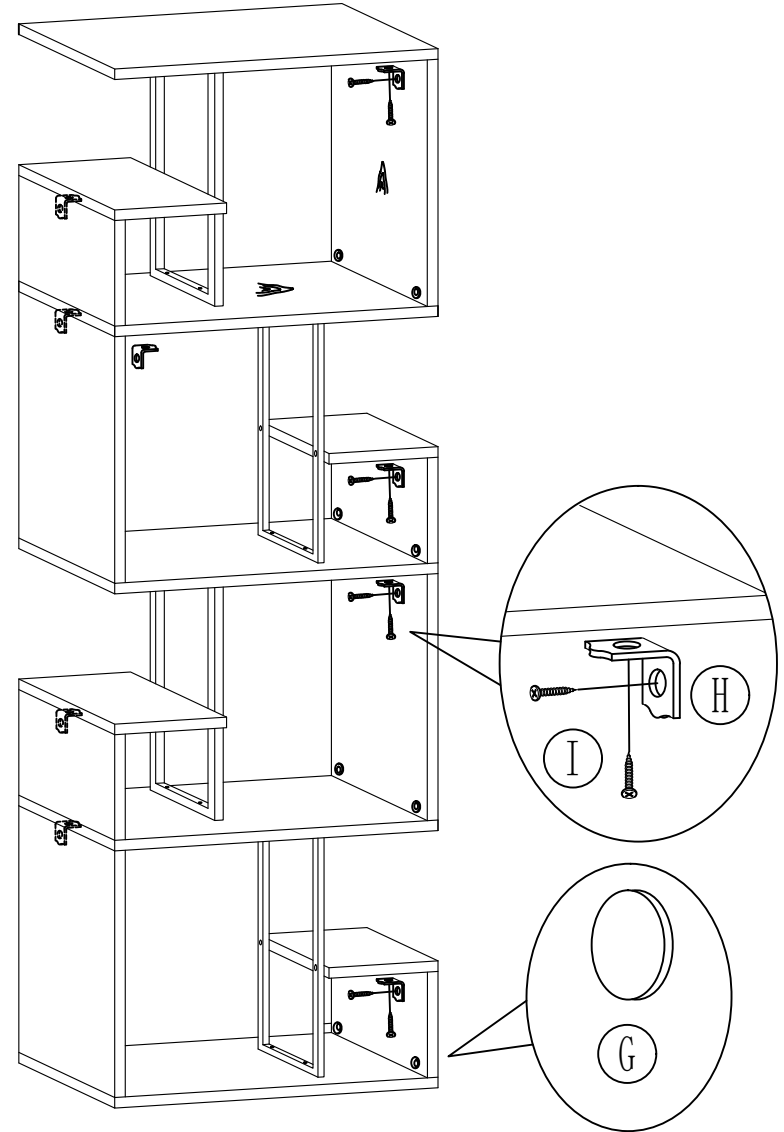
(A)	X2	(E)	X2	(F)	X1
					
28MM		M6*25		S=4	

Step 16



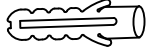




(H)	X8	(I)	X16	(G)	X30
					
19*19*18		ST3*12		φ 22*1	

Step 17



Assembling Instruction

Step 18

(J)	X2	(K)	X2	(L)	X2
					
$\phi 8*34$		19*42*8		ST4*35	
(M)	X1	(N)	X2		
					
245*7*1		ST4*16			

No pre-drilled holes required for installing the anti-tip panel; mount it directly according to your furniture placement needs.

