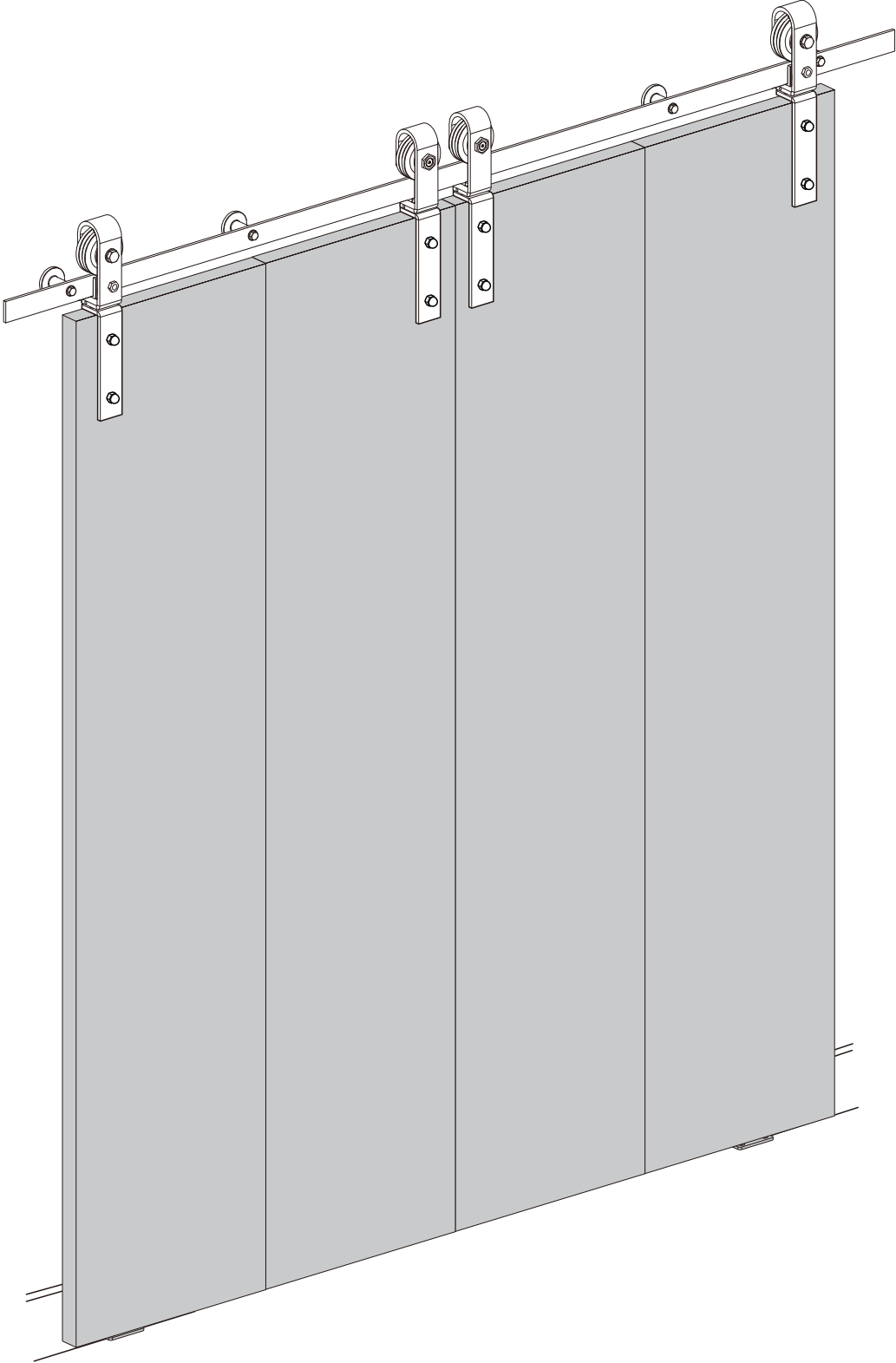


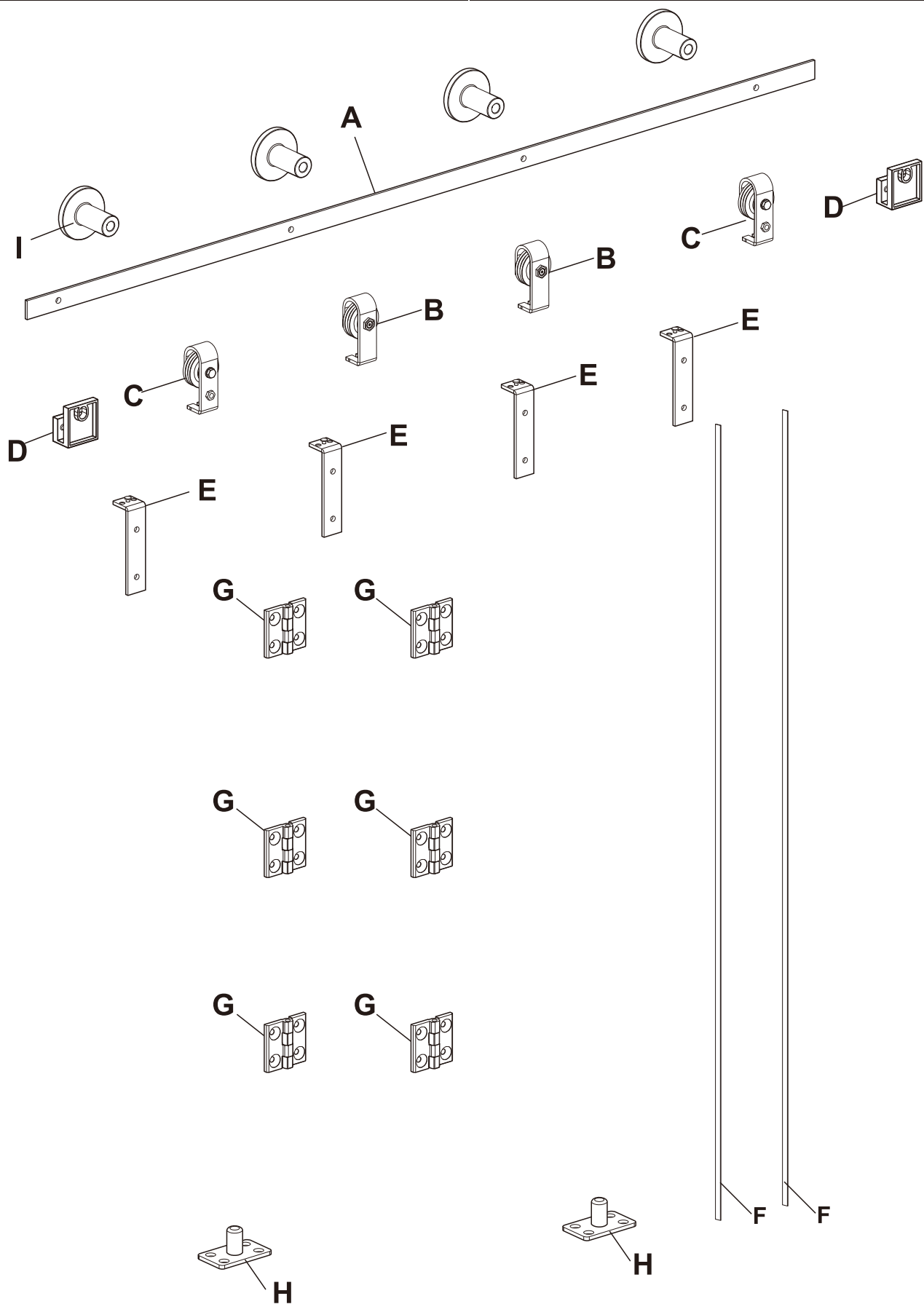


# Installation Manual

---

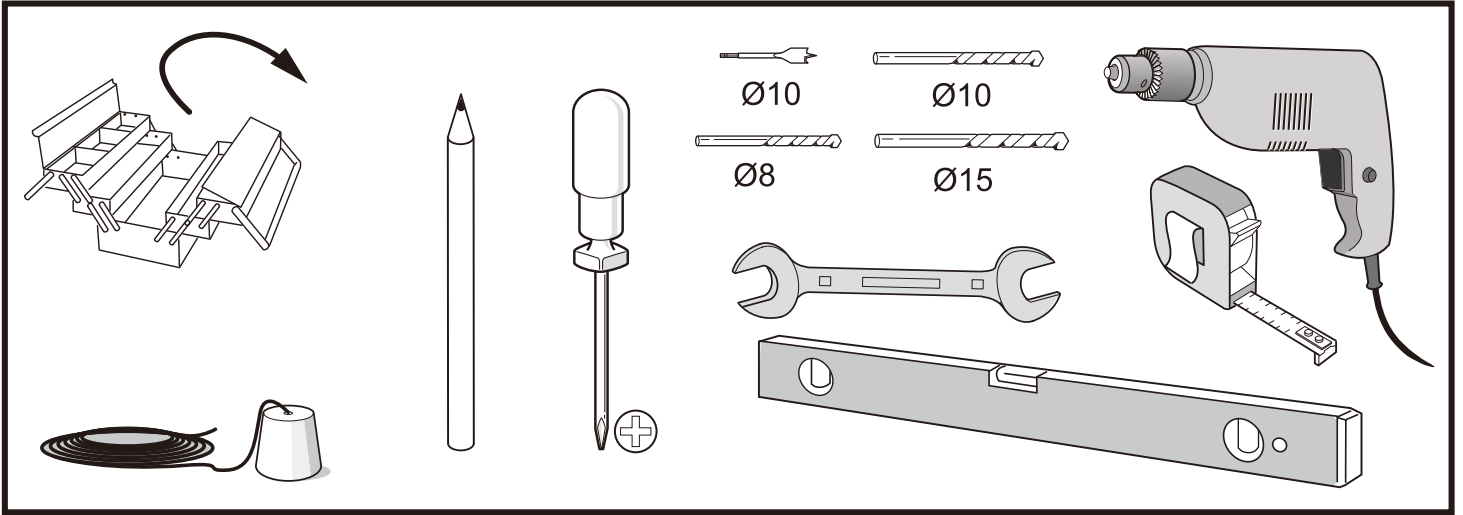


# Components list

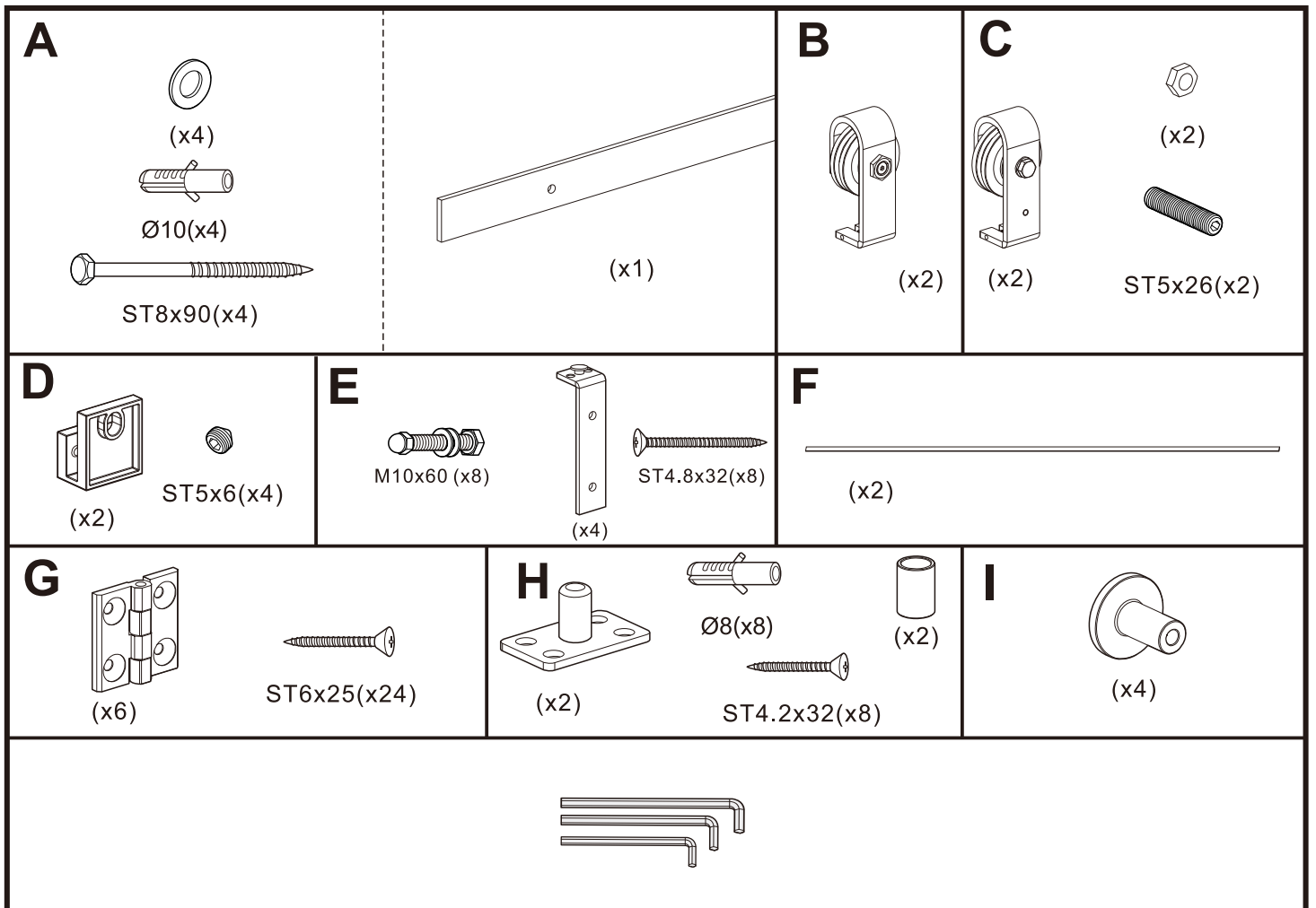


# Pre-installation

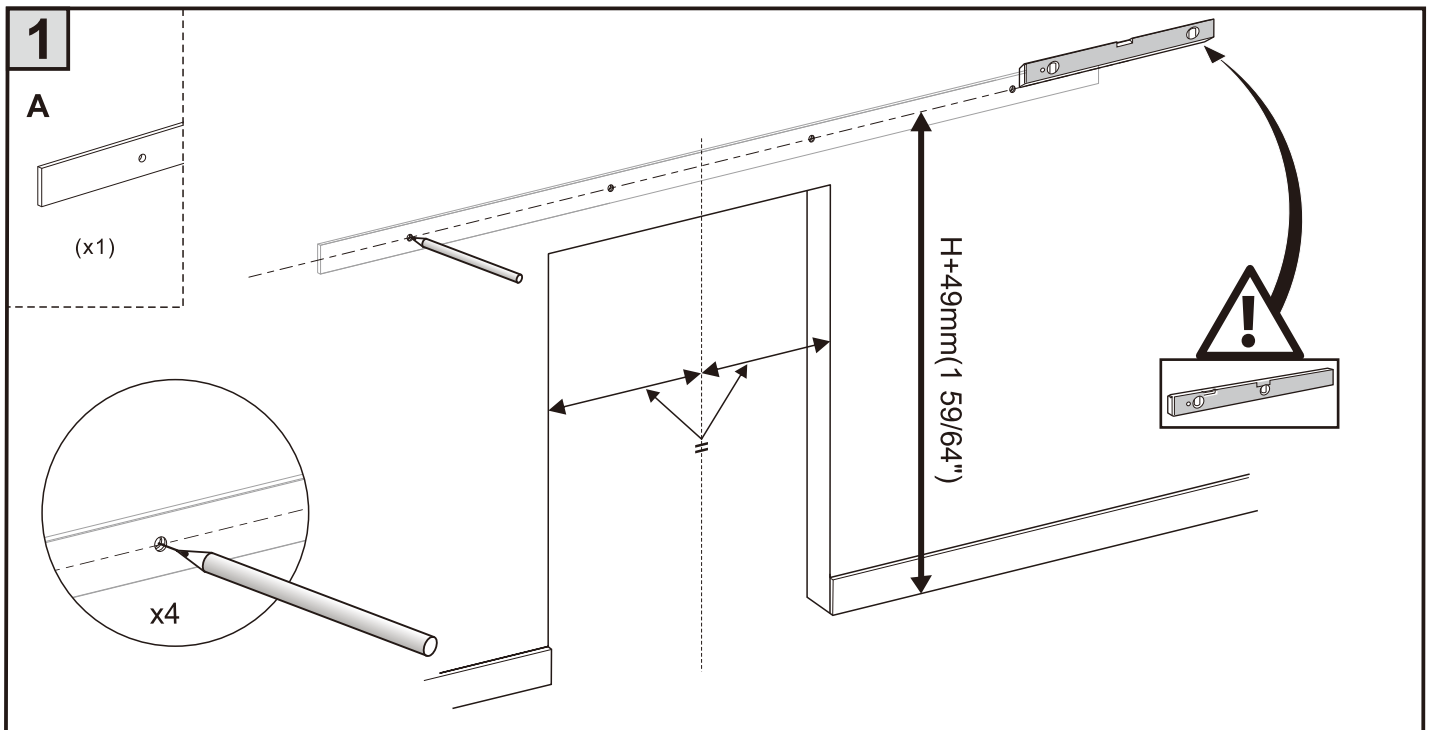
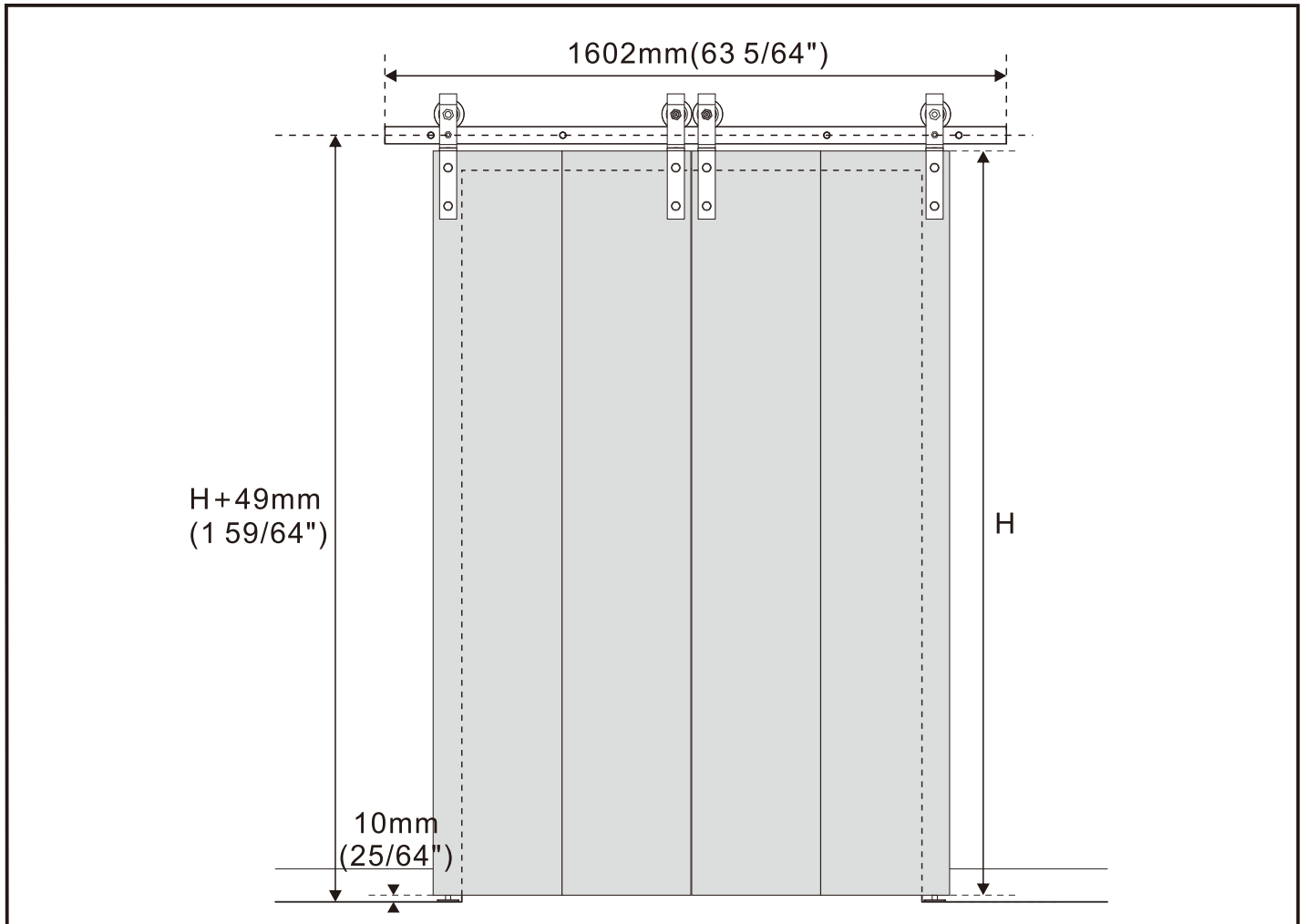
## TOOLS REQUIRED



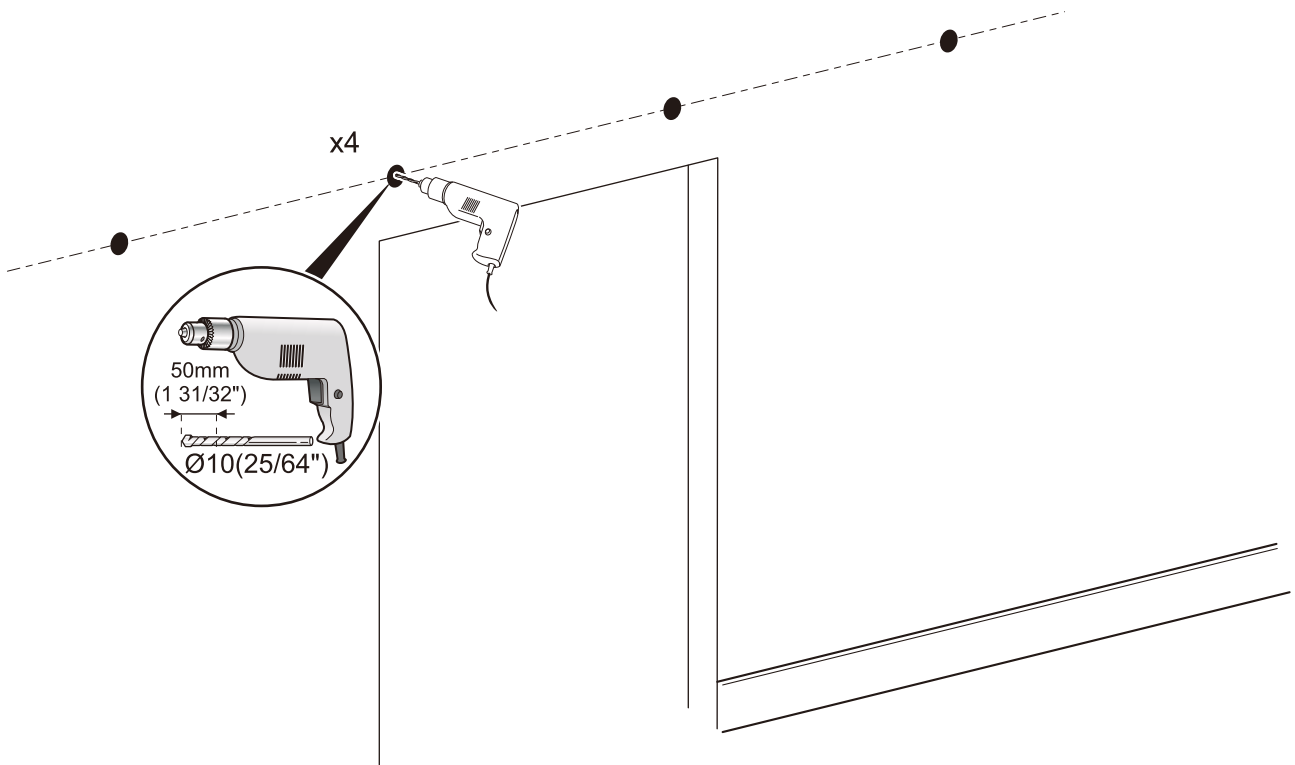
## HARDWARE INCLUDED



# Installation



2



3

A



(x4)



Ø10X48 (x4)

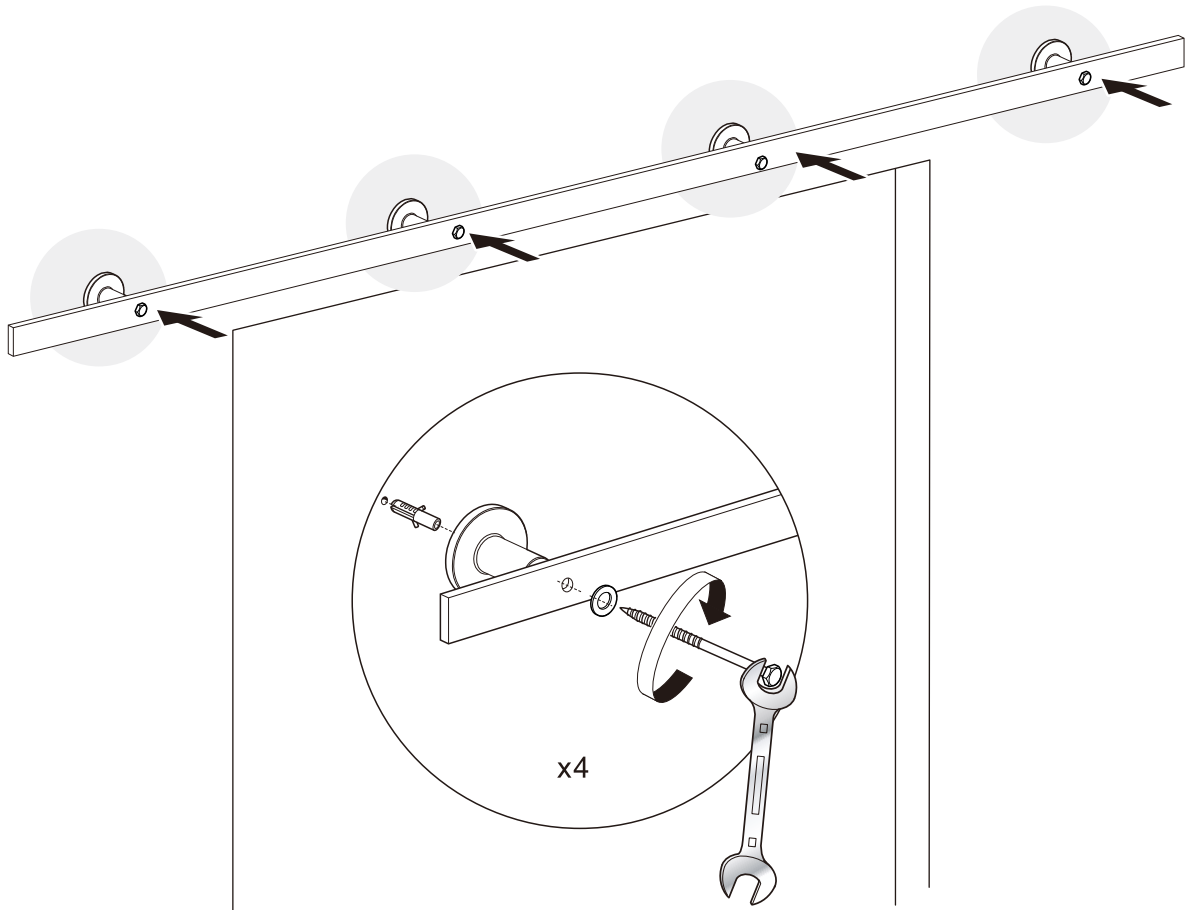


M8x90 (x4)

I

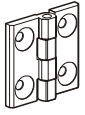


(x4)



**4**

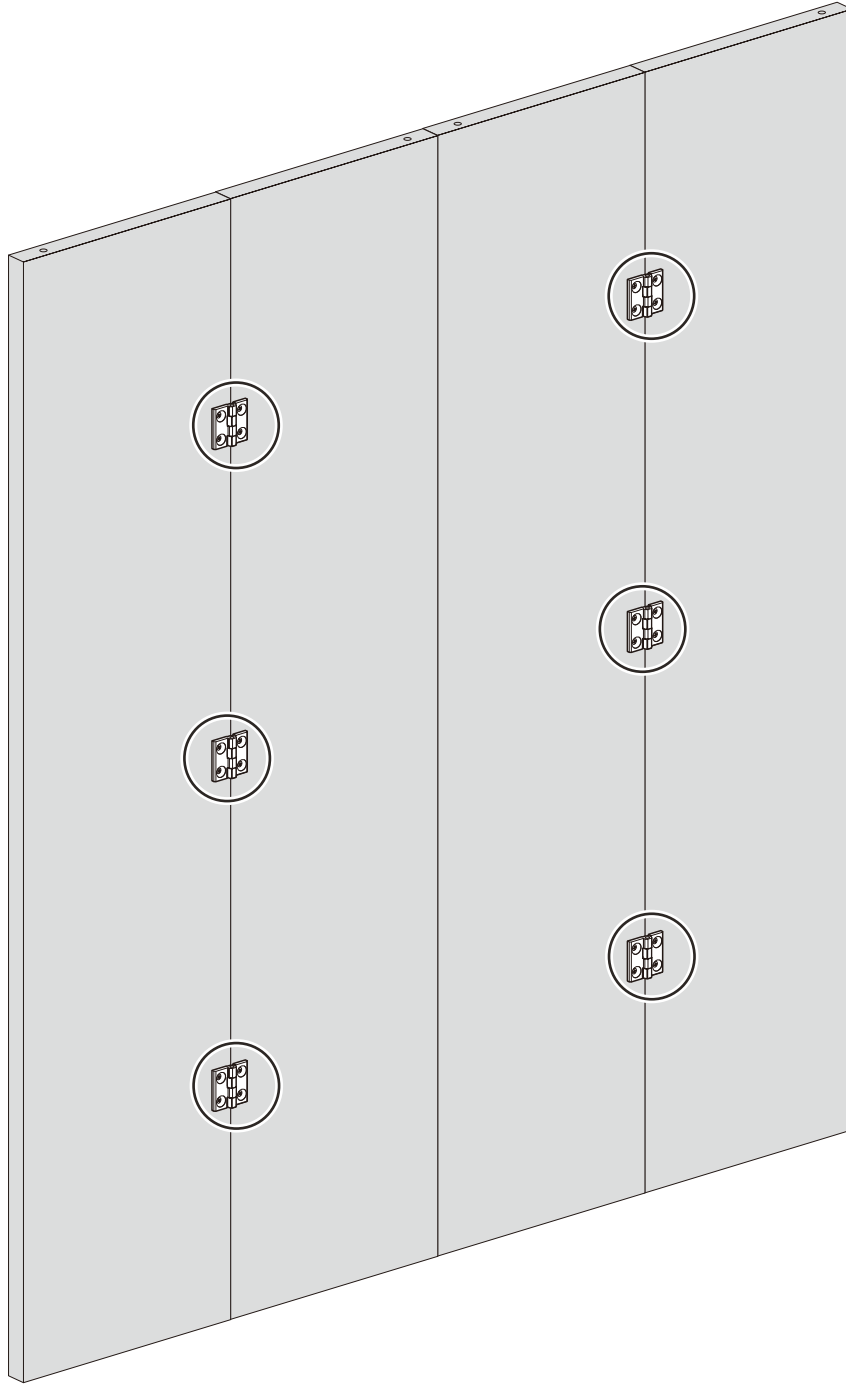
**G**



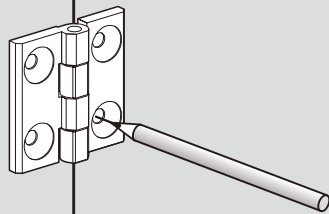
(x6)



ST6X25 (x24)

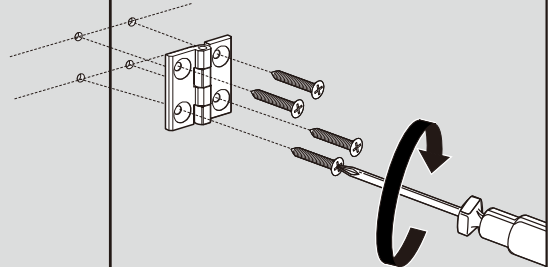


**1**



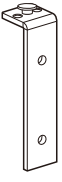
x6

**2**

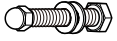


**5**

**E**



(x4)

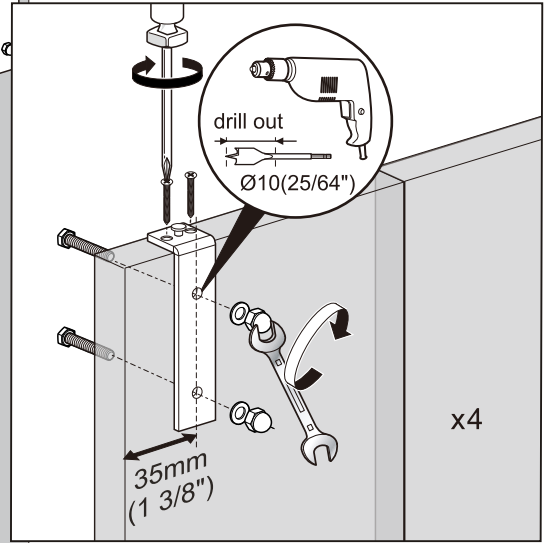
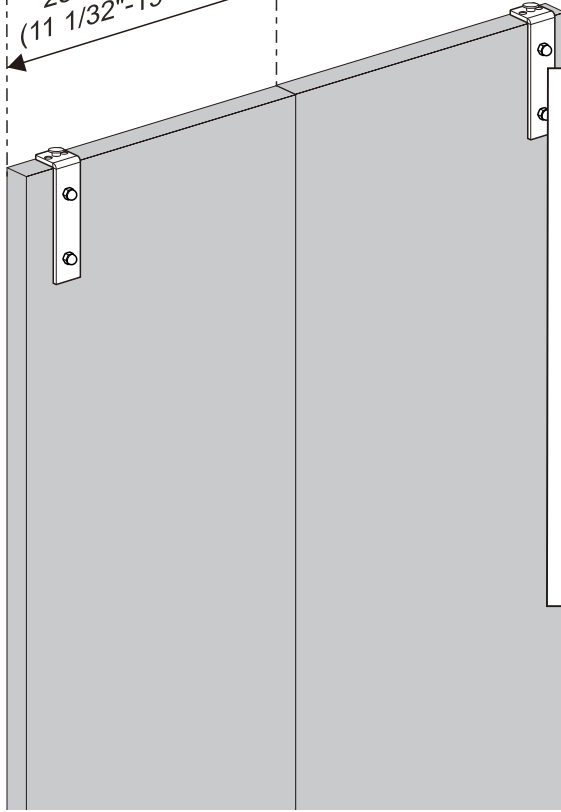


M10x60 (x8)



ST4.8x32(x8)

280mm-500mm  
(11 1/32"-19 11/16")



**6**

**B**

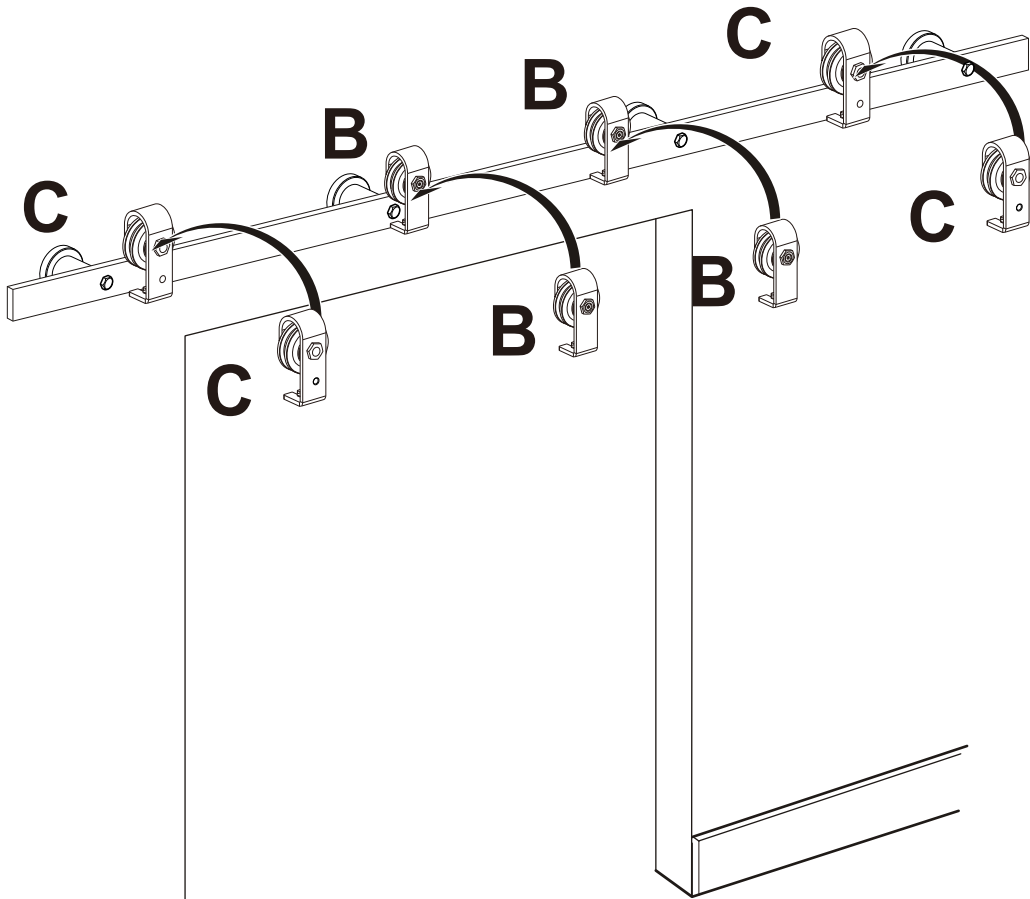


(x2)

**C**



(x2)

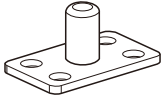


**7**

**H**



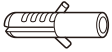
(x2)



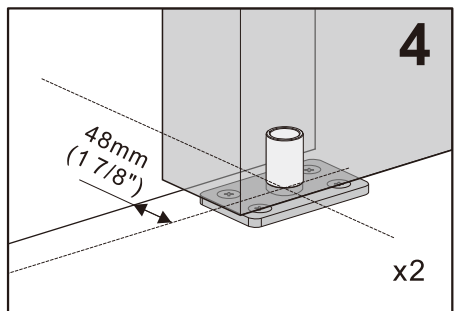
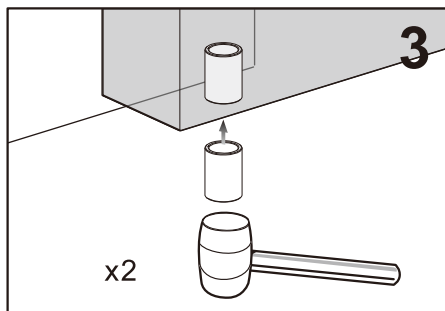
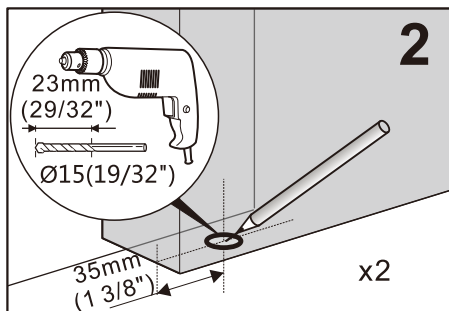
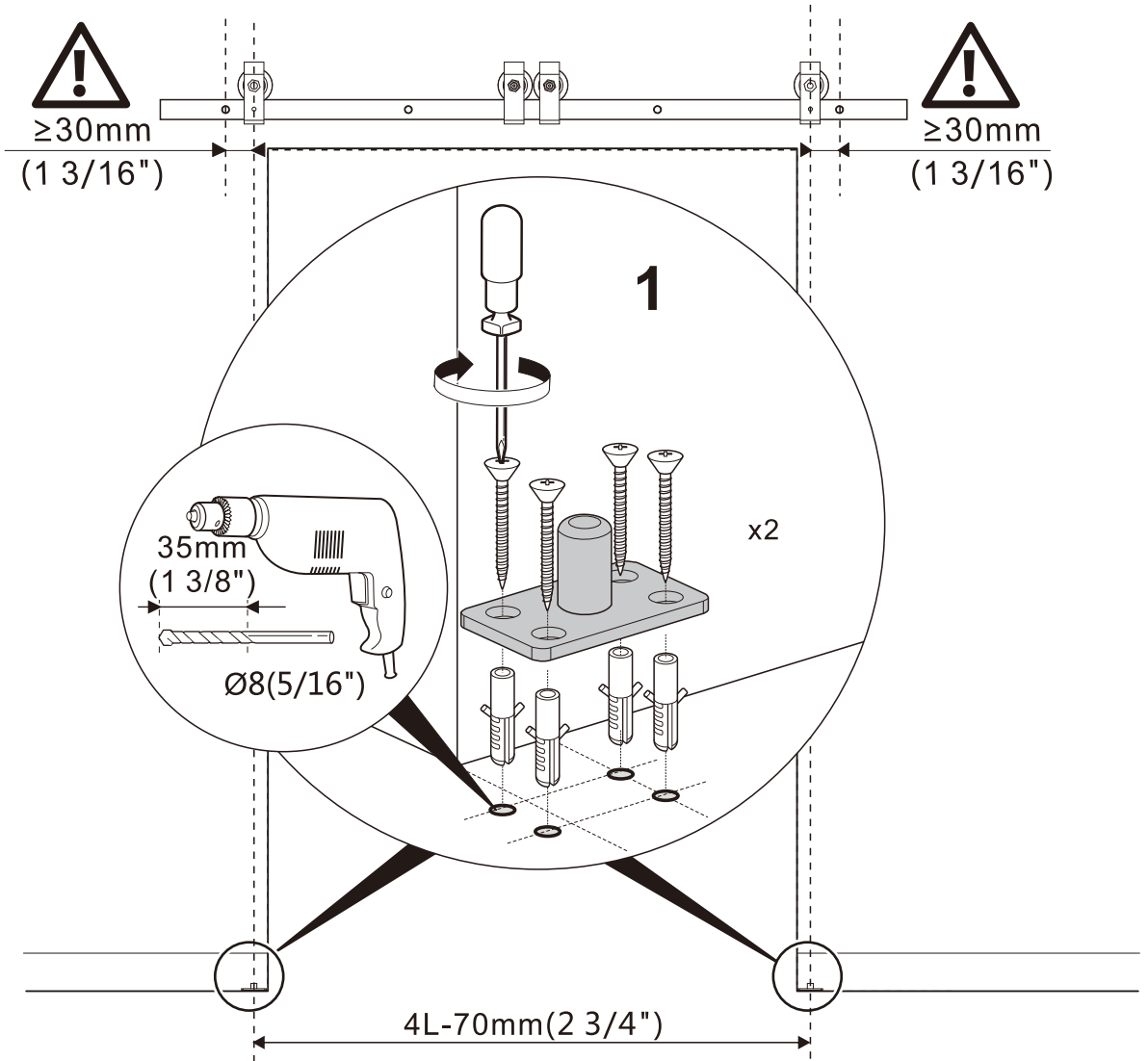
(x2)

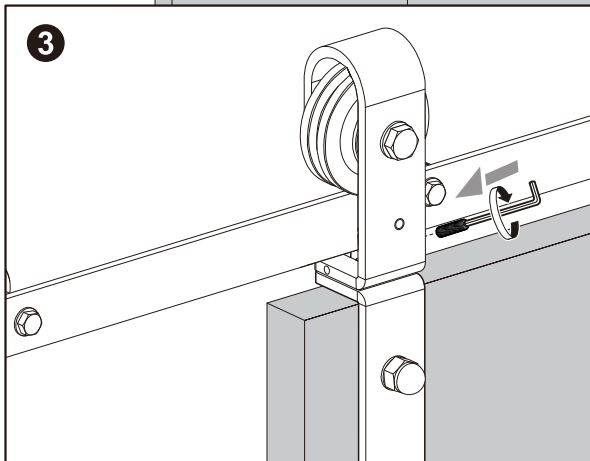
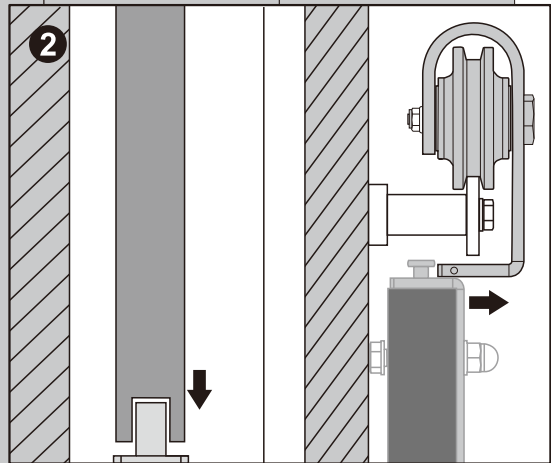
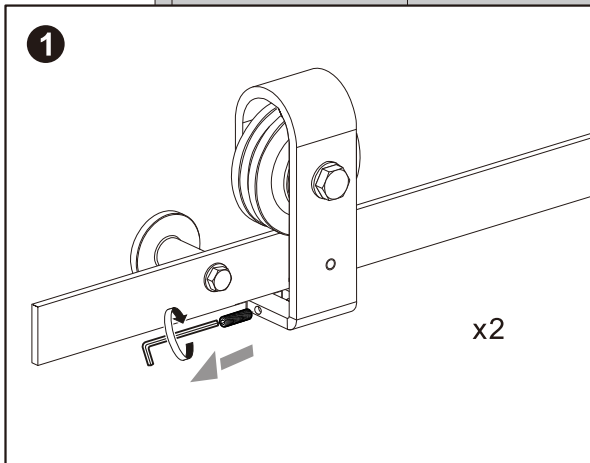
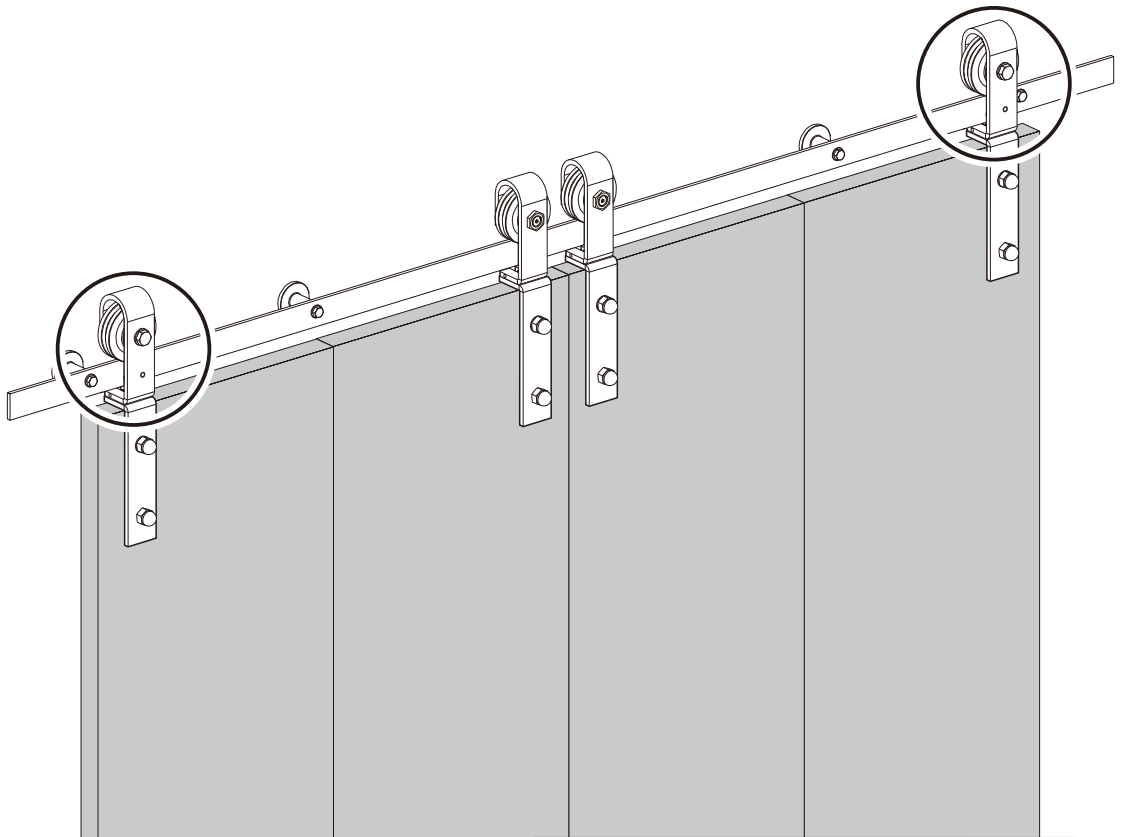


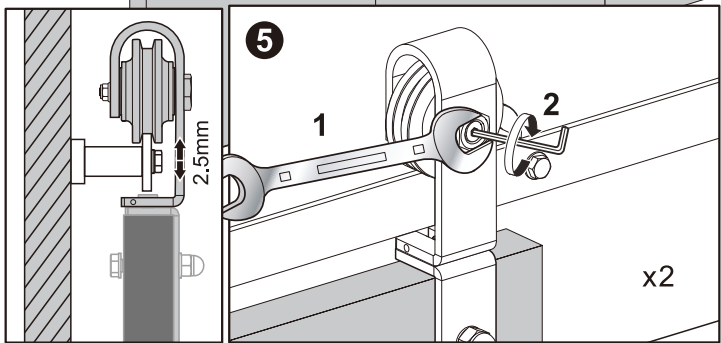
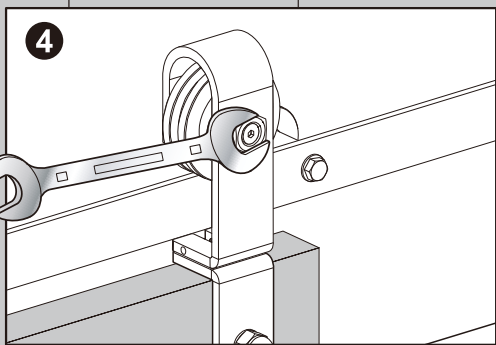
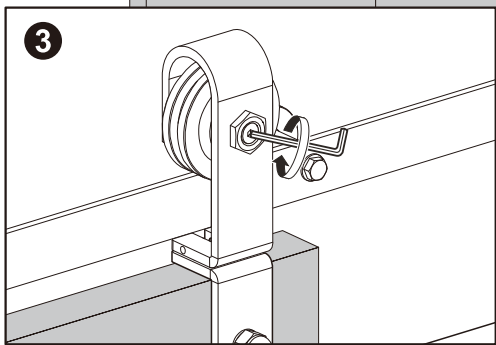
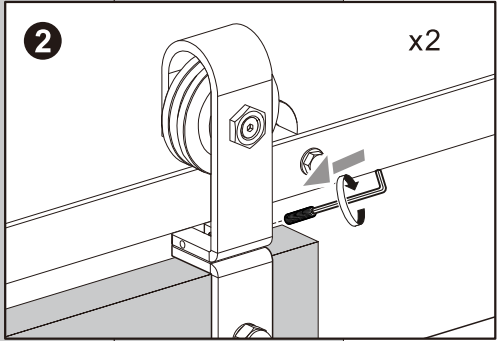
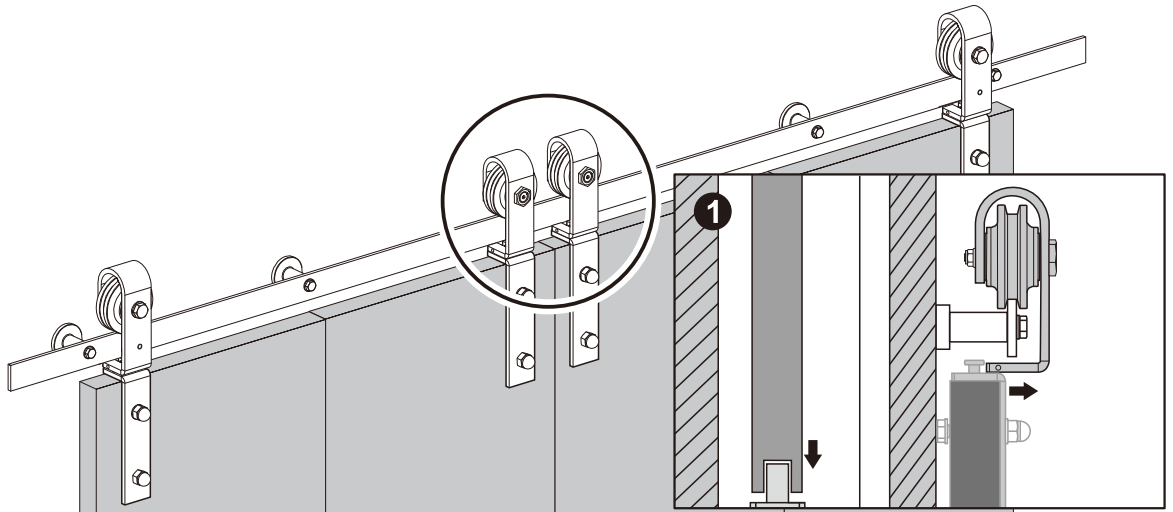
ST4. 2x32(x8)



Ø8(5/16")







**10**

**C**

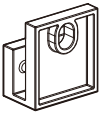


(x2)



ST5x26(x2)

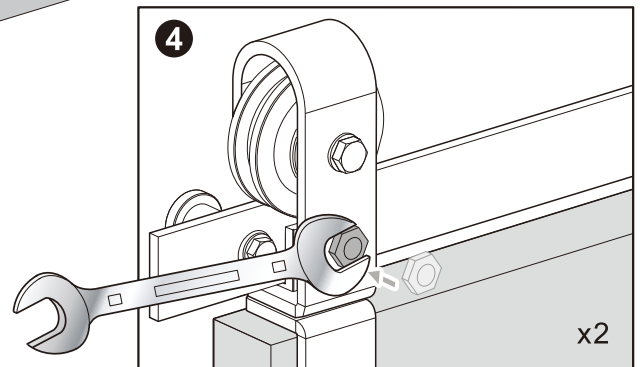
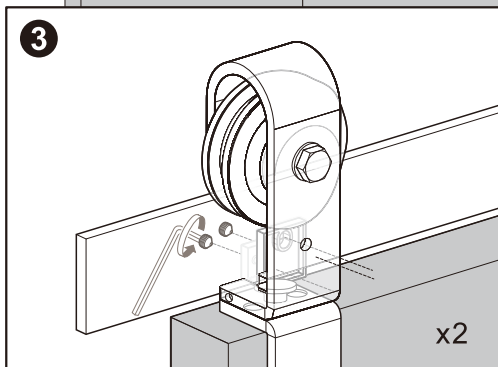
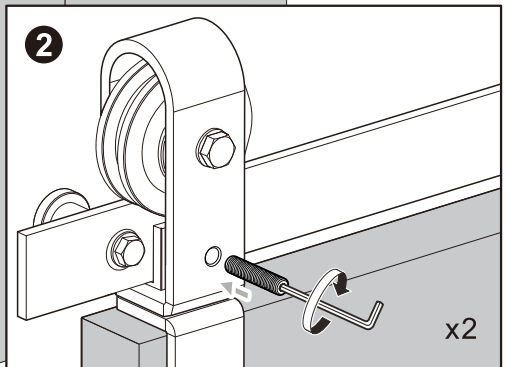
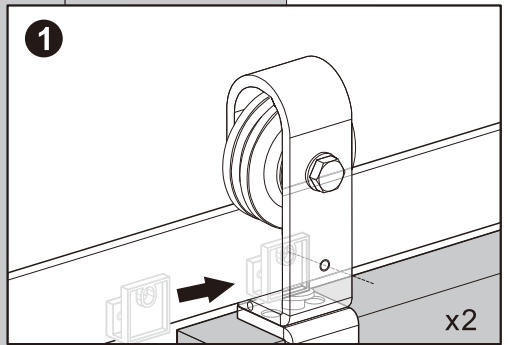
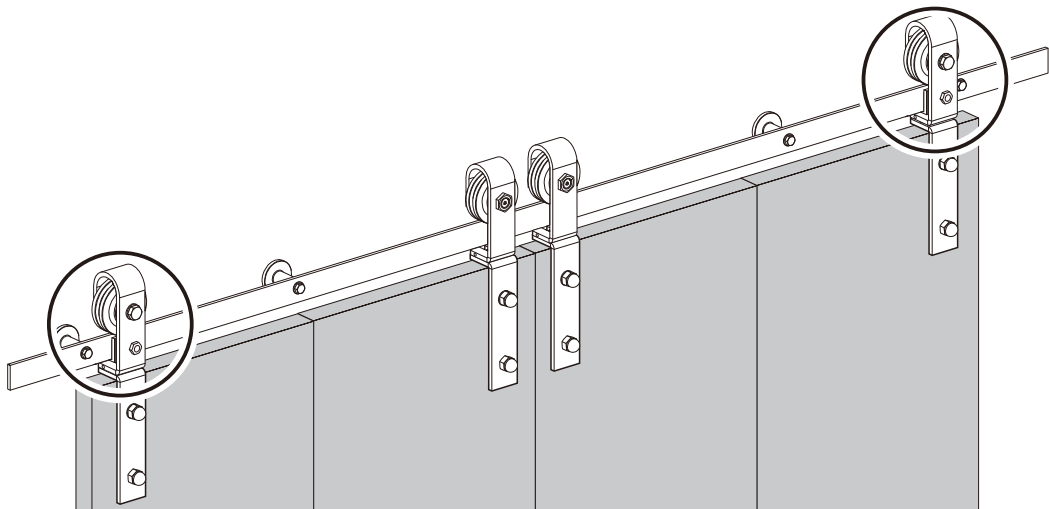
**D**



(x2)



ST5x6(x4)



11

F



(x2)

