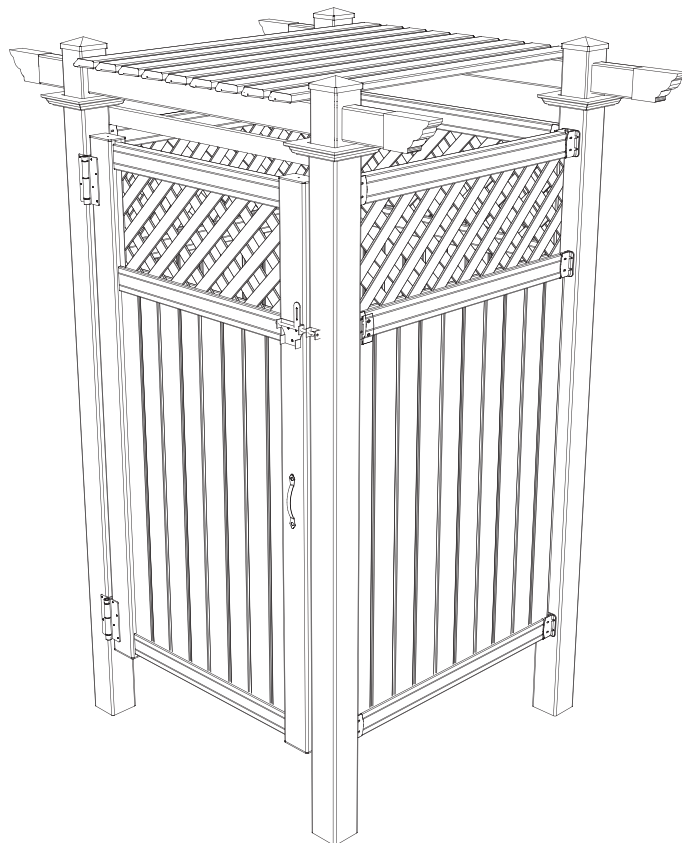
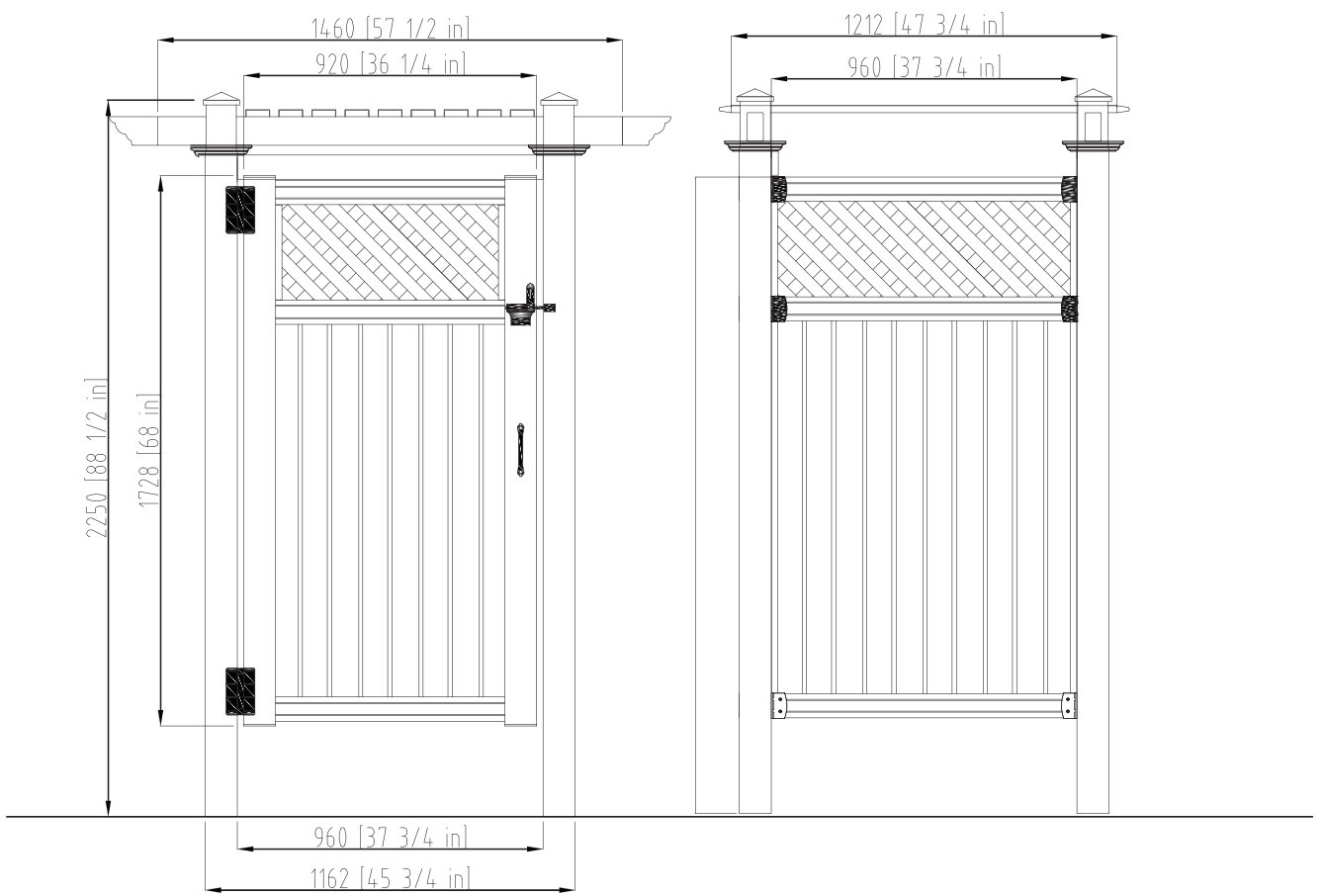
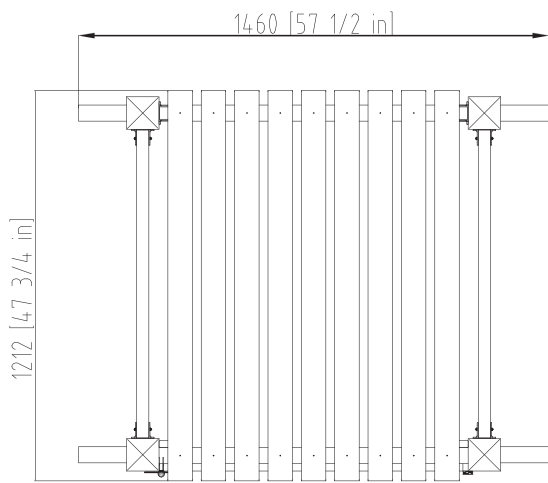



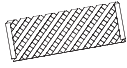
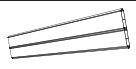
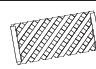
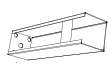



Grid-Panel Outdoor Shower Room with Roof

PXXZ0T115WH

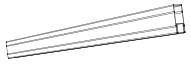
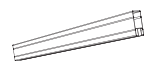
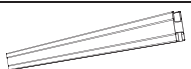
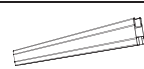
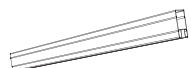


















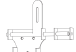








Box A

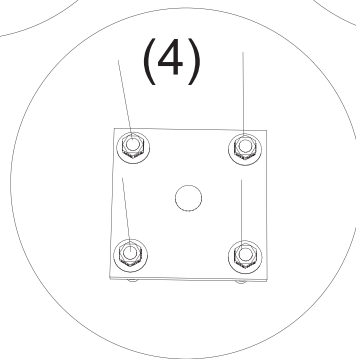
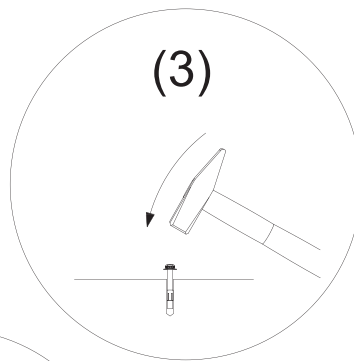
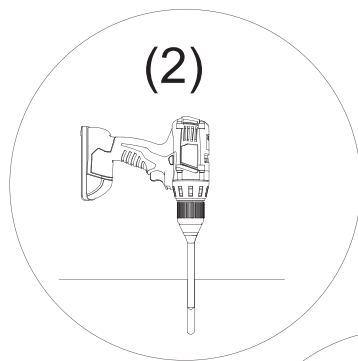
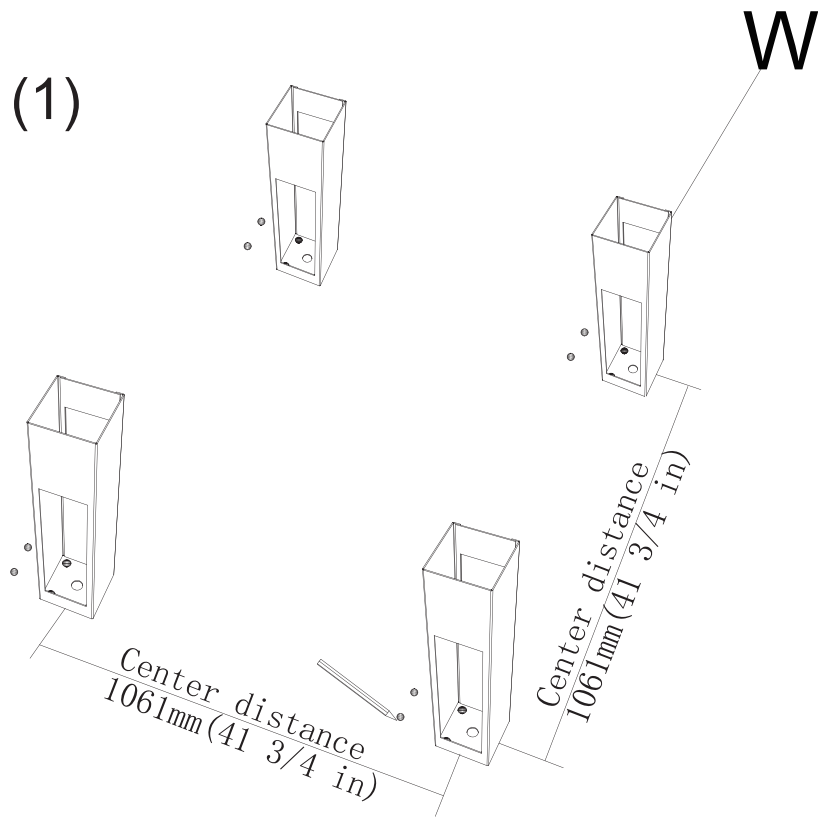
Item no.	Reference Image	Qty.	Item no.	Reference Image	Qty.
⓪	 Roof	9x	ⓐ	 Grid	3x
ⓑ	 Panel	19x	ⓓ	 Grid-Door	1x
ⓒ	 Iron Post	4x	ⓕ	 Decorative Ring	4x
ⓔ	 Channel	6x	ⓖ	 Door Support	1x

Box B

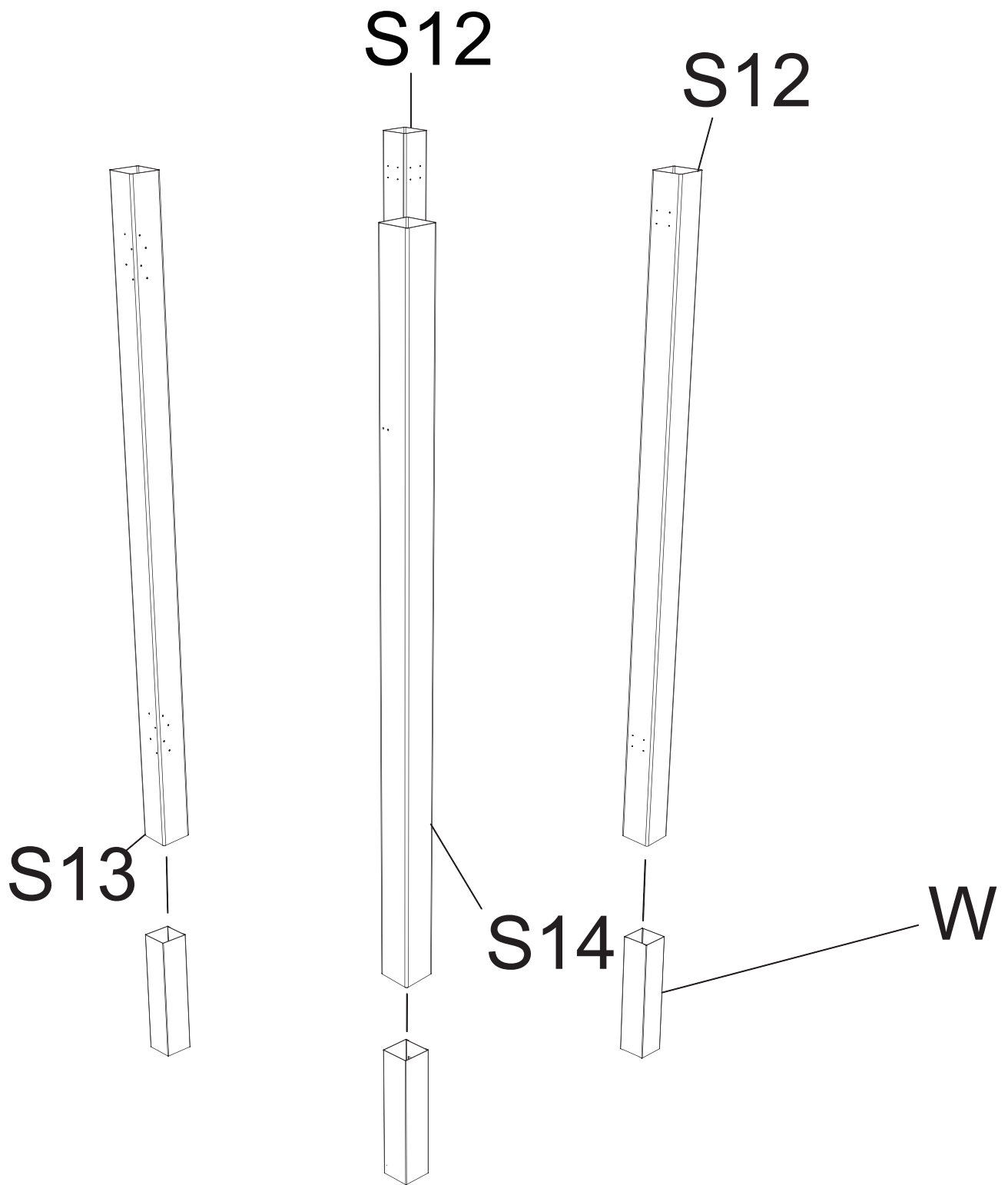
Item no.	Reference Image	Qty.	Item no.	Reference Image	Qty.
Ⓡ1	 Bottom Rail	3x	Ⓡ4	 Up Rail-Door	1x
Ⓡ2	 Middle Rail	3x	Ⓡ5	 Middle Rail-Door	1x
Ⓡ3	 Up Rail	3x	Ⓡ6	 Bottom Rail-Door	1x

Box B

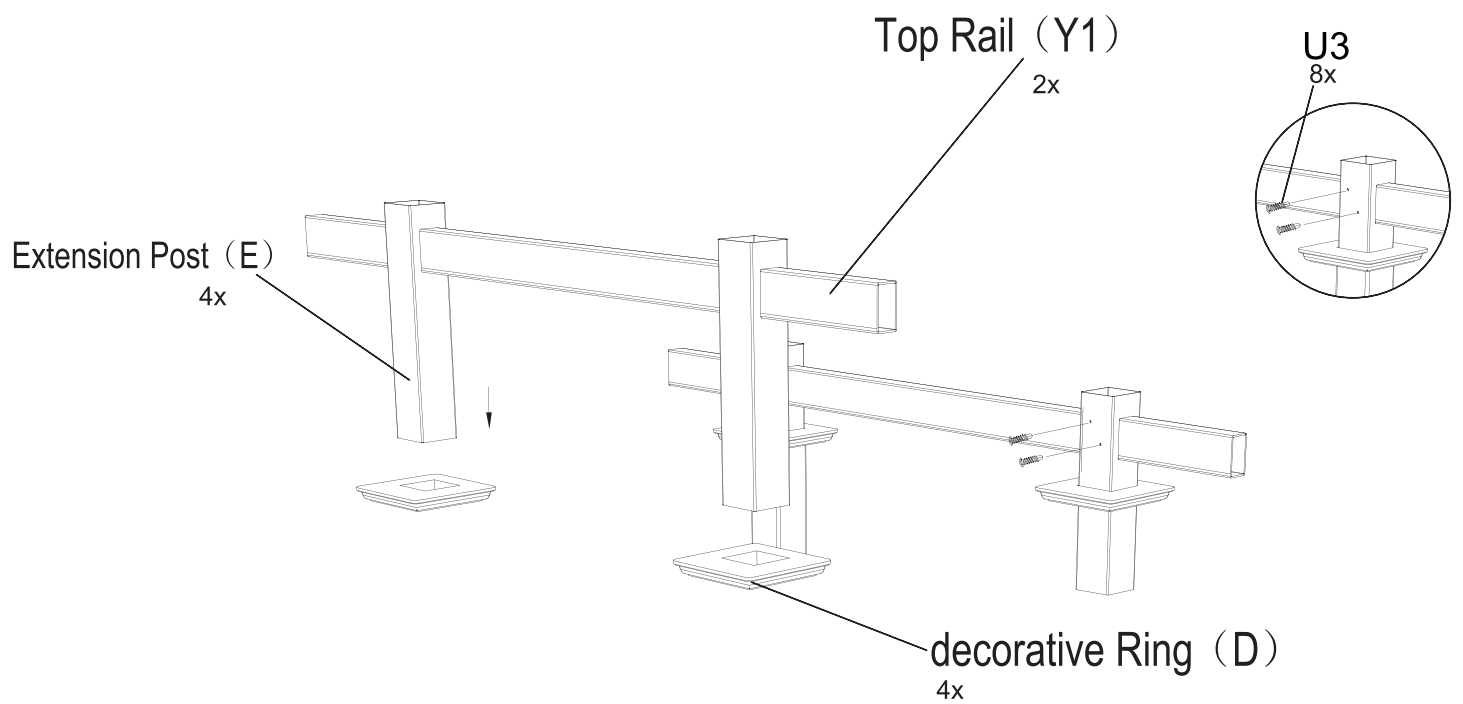
Item no.	Reference Image	Qty.	Item no.	Reference Image	Qty.
(B)	 Bracket	18x	(U1)	 3/16" x 3/4" Self-Drilling Screws	148x
(Z)	 Post Cap	4x	(U2)	 1/6" x 1" Self-Drilling Screws	34x
(S12)	 Post-A	2x	(U3)	 3/16" x 2 1/2" Self-Drilling Screws	56x
(S13)	 Post-B	1x	(U4)	 3/16" x 1 1/2" Self-Drilling Screws	12x
(S14)	 Post-C	1x	(U5)	 3/16" x 2 1/2" Self-Drilling Screws	8x
(Y1)	 Top Rail	2x	(N)	 Door Chain	1x
(Q)	 Door Frame Cover	2x	(K)	 Door Lock	1x
(G)	 Dragon Head Cap	4x	(L)	 Door Handle	1x
(T)	 Door Stopper Strip	2x	(H)	 Hinge	2x
(E)	 Extension Post	4x	(F1)	 Right Door Frame	1x
(A)	 Aluminum lining	2x	(F2)	 Left Door Frame	1x
(M)	 Door Frame Corner Brace	4x			



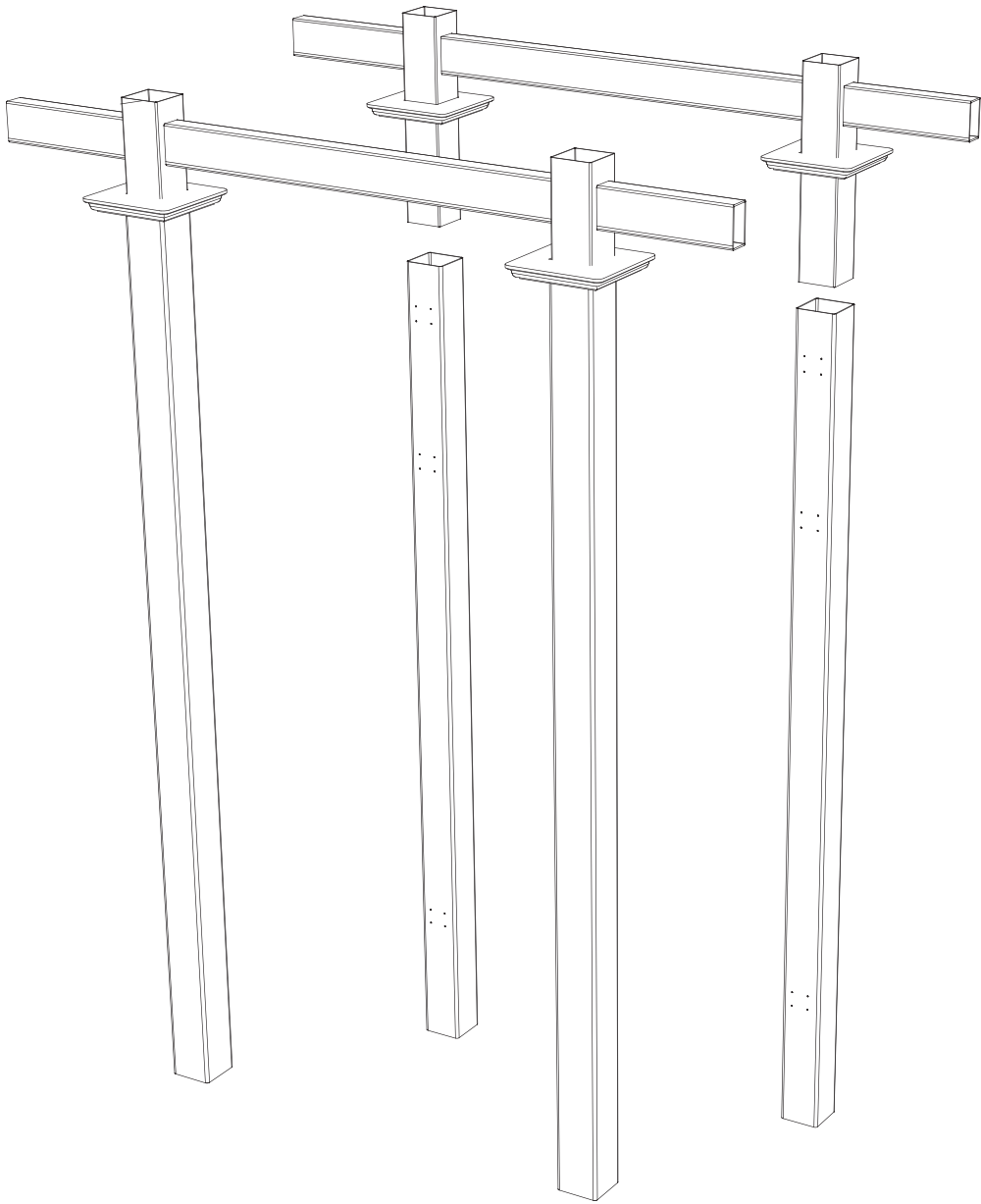
- (1): After placing the Iron Post (W) in the confirmeG position, mark the hole position with a pen, anG then move the Iron Post (W) away.
- (2): Drill holes at the positions markeG with the pen.
- (3): Drive in the expansion screws (provideG by the customer).
- (4): Place the Iron Post (W) anG fix it with screws.



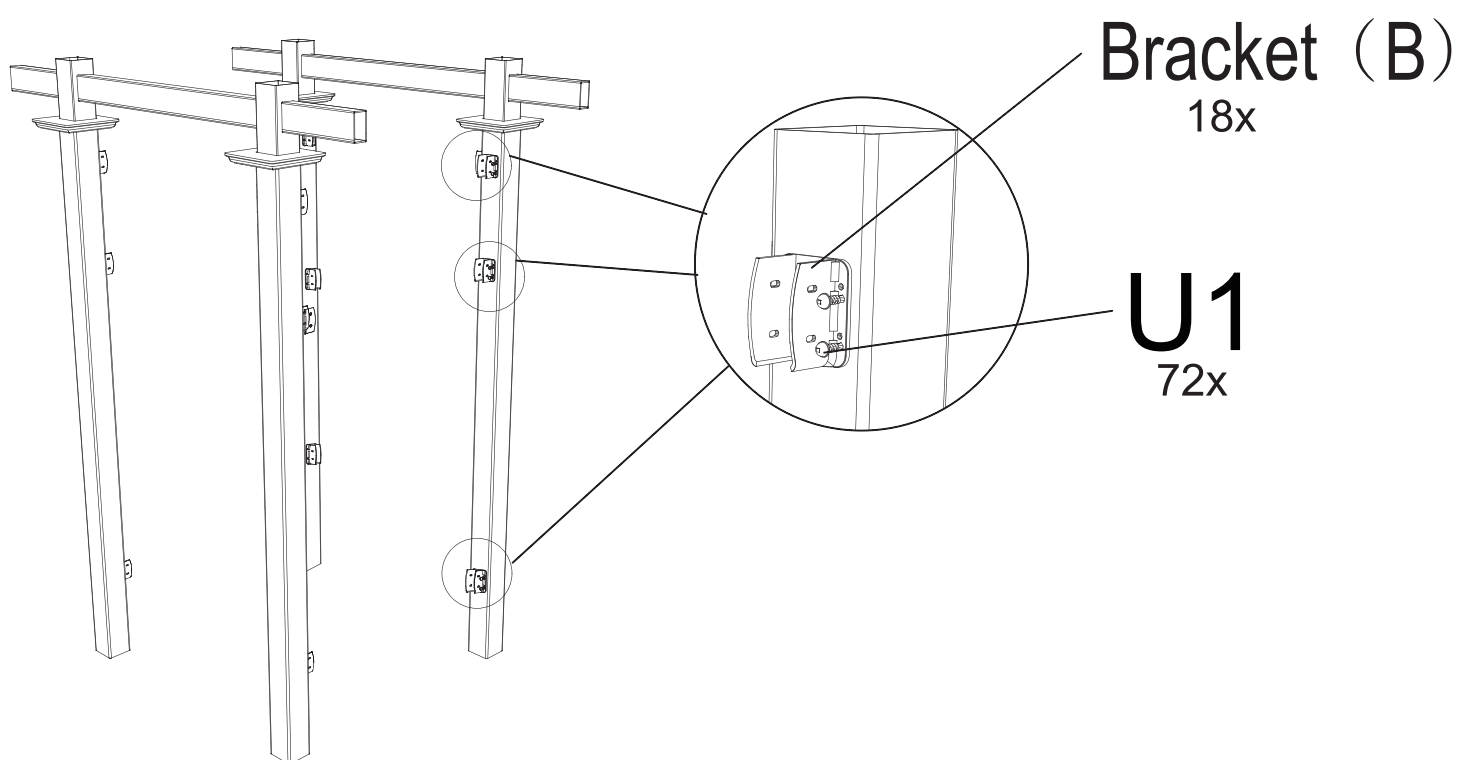
Fix the Posts(S12, S13, S14) on the Iron Post (W) as shown in the diagram.
Confirm the direction of the lead hole before installation



Insert Top Rail (Y1) into Extension Post (E), fix it with Screws(U3), and insert Extension Post (E) into decorative Ring (D).



Insert Extension Post (E) into Posts.

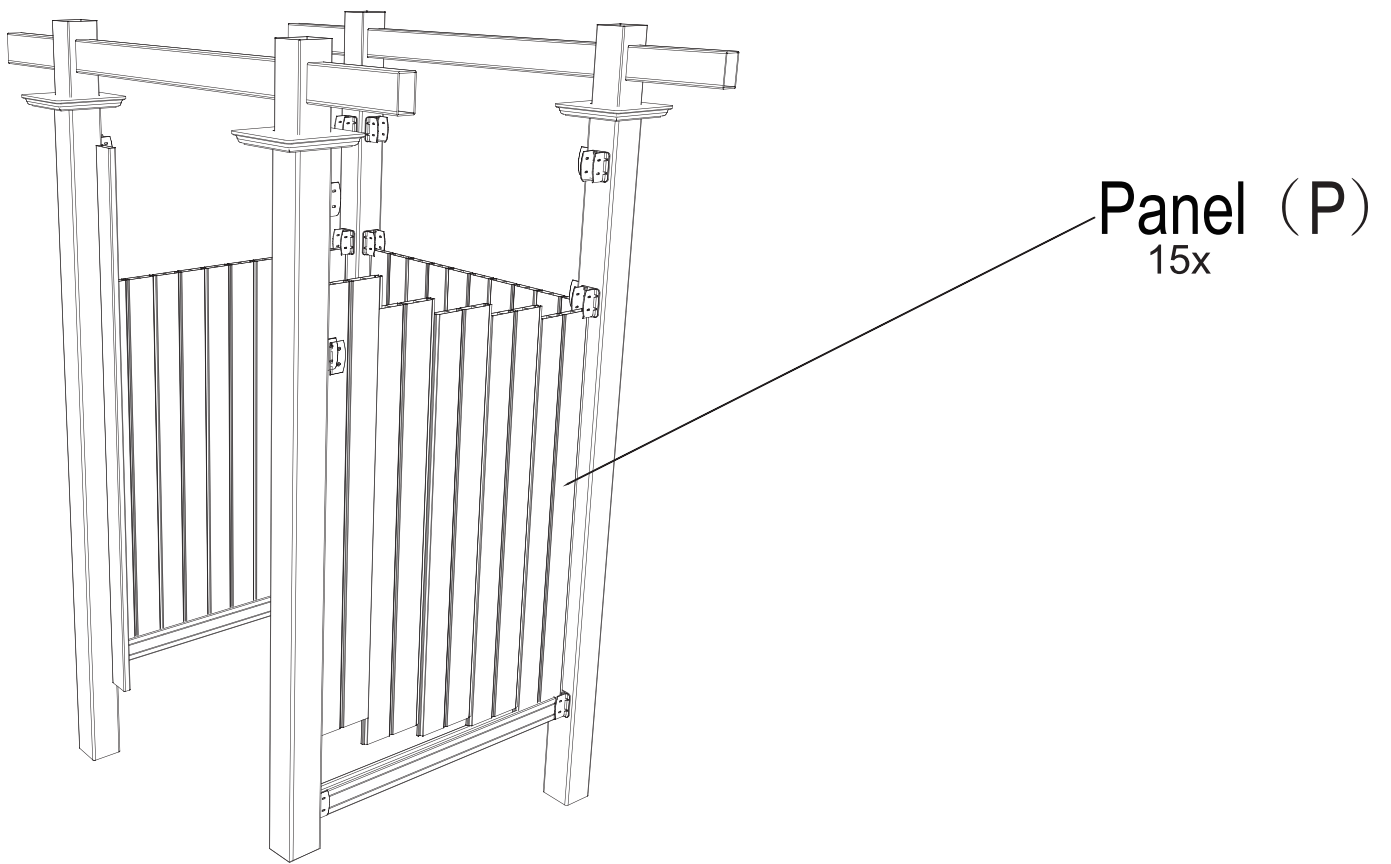


Install Bracket (B) on the four columns according to the position of the lead holes, and pay attention to the up and down direction of Bracket (B). Fix with Screws(U1).

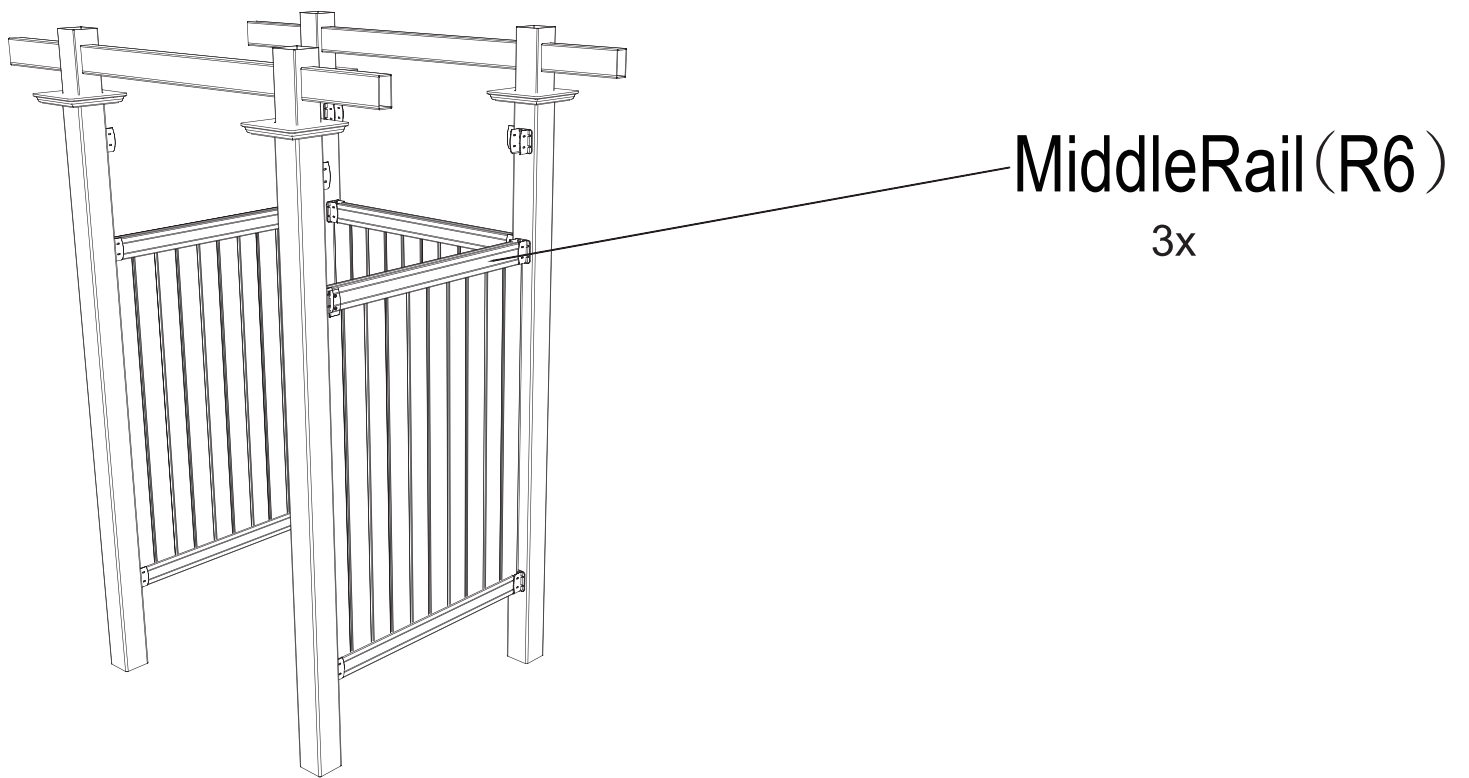


Bottom Rail (R1)
3x

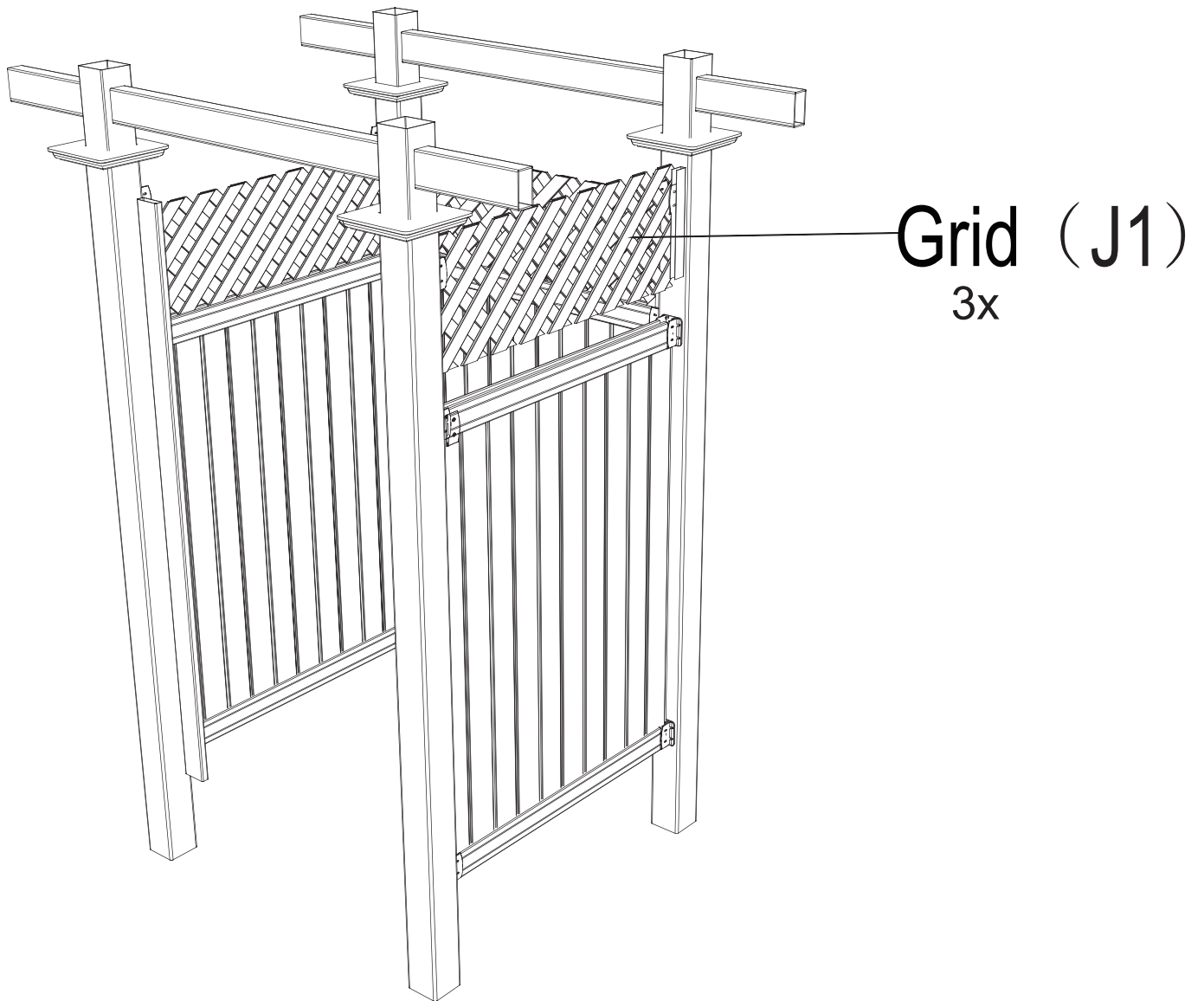
Install the Bottom Rail (R1) for the three walls and fix it with Screws (U1).



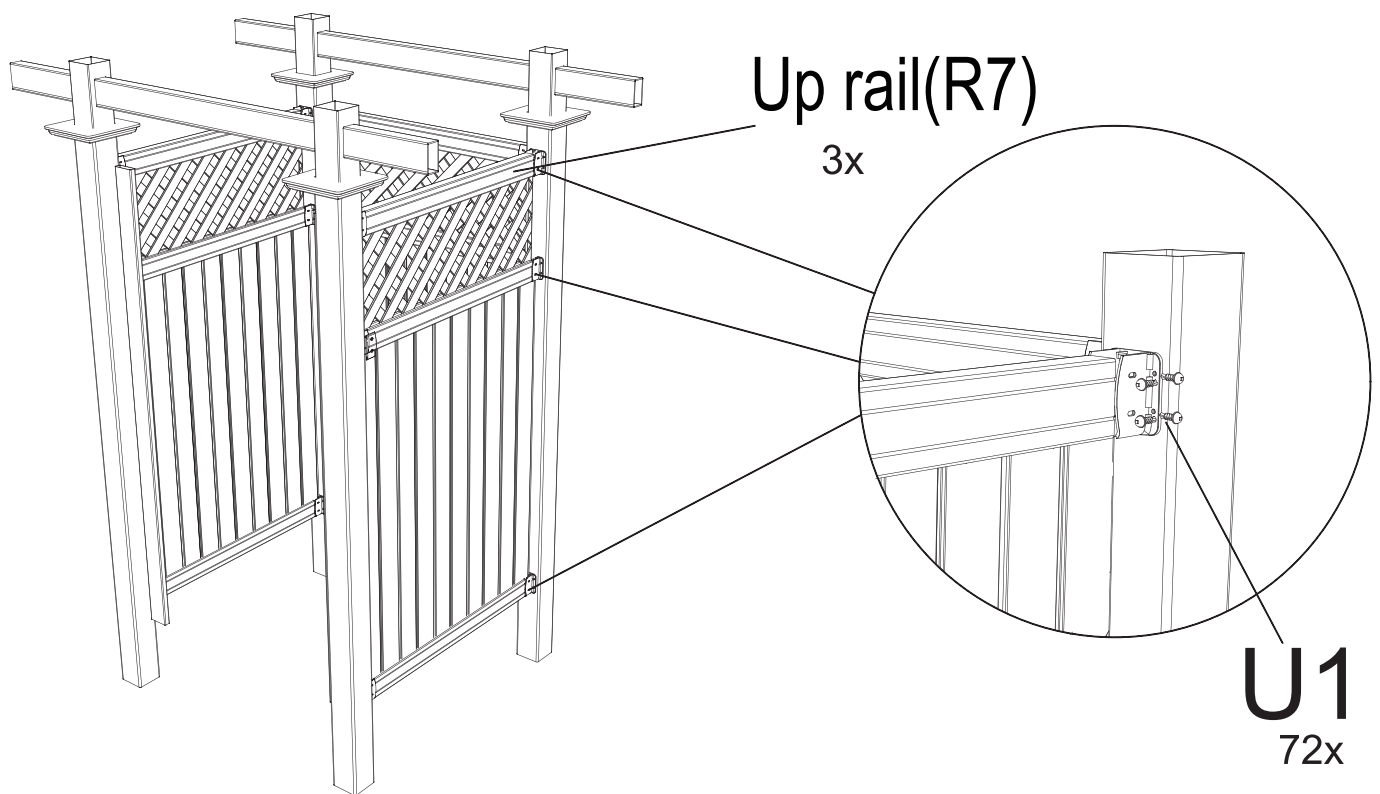
As shown in the figure, install the three-sided Panel (P).



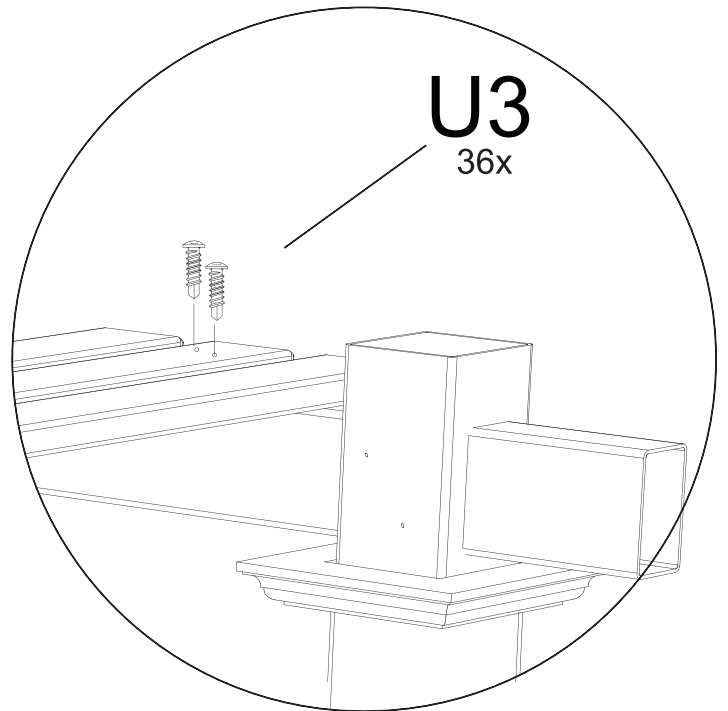
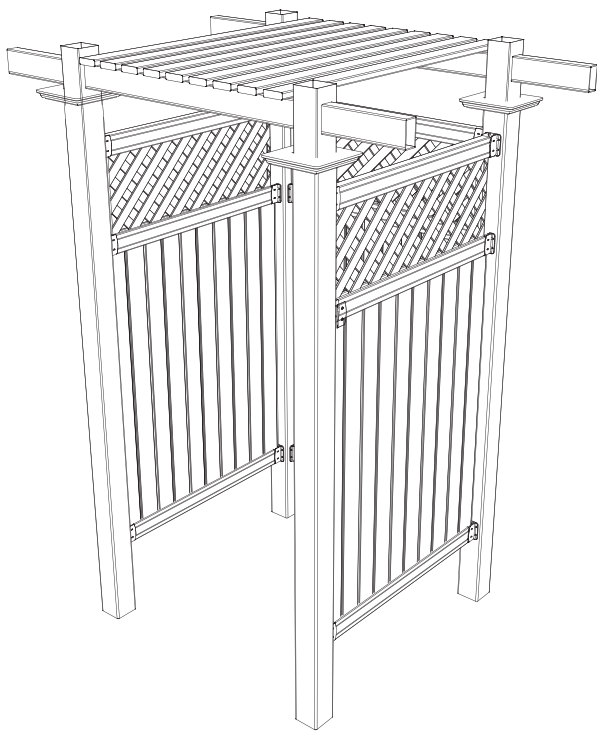
As shown in the figure, install three sides
Middle Rail(R6), fixed with Screws (U1).



As shown in the figure, install the three-sided Grid (J1).

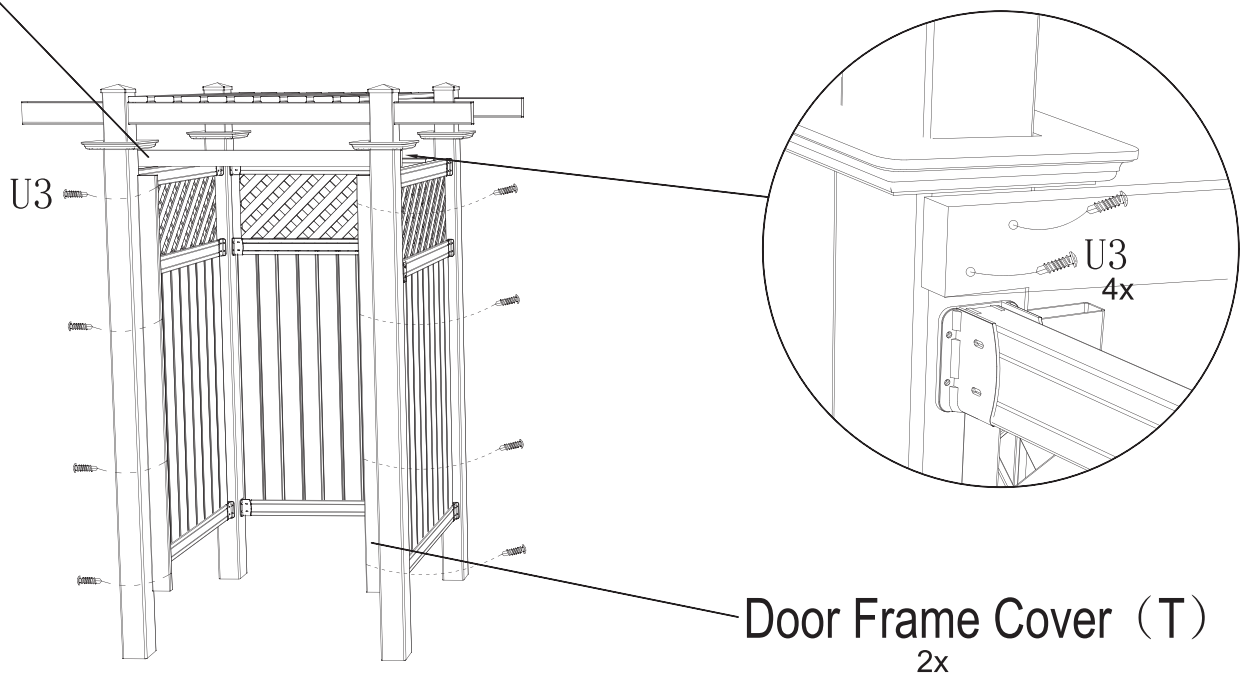


As shown in the figure, install the Up rail(R7) on three sides and fix it with Screws (U1).



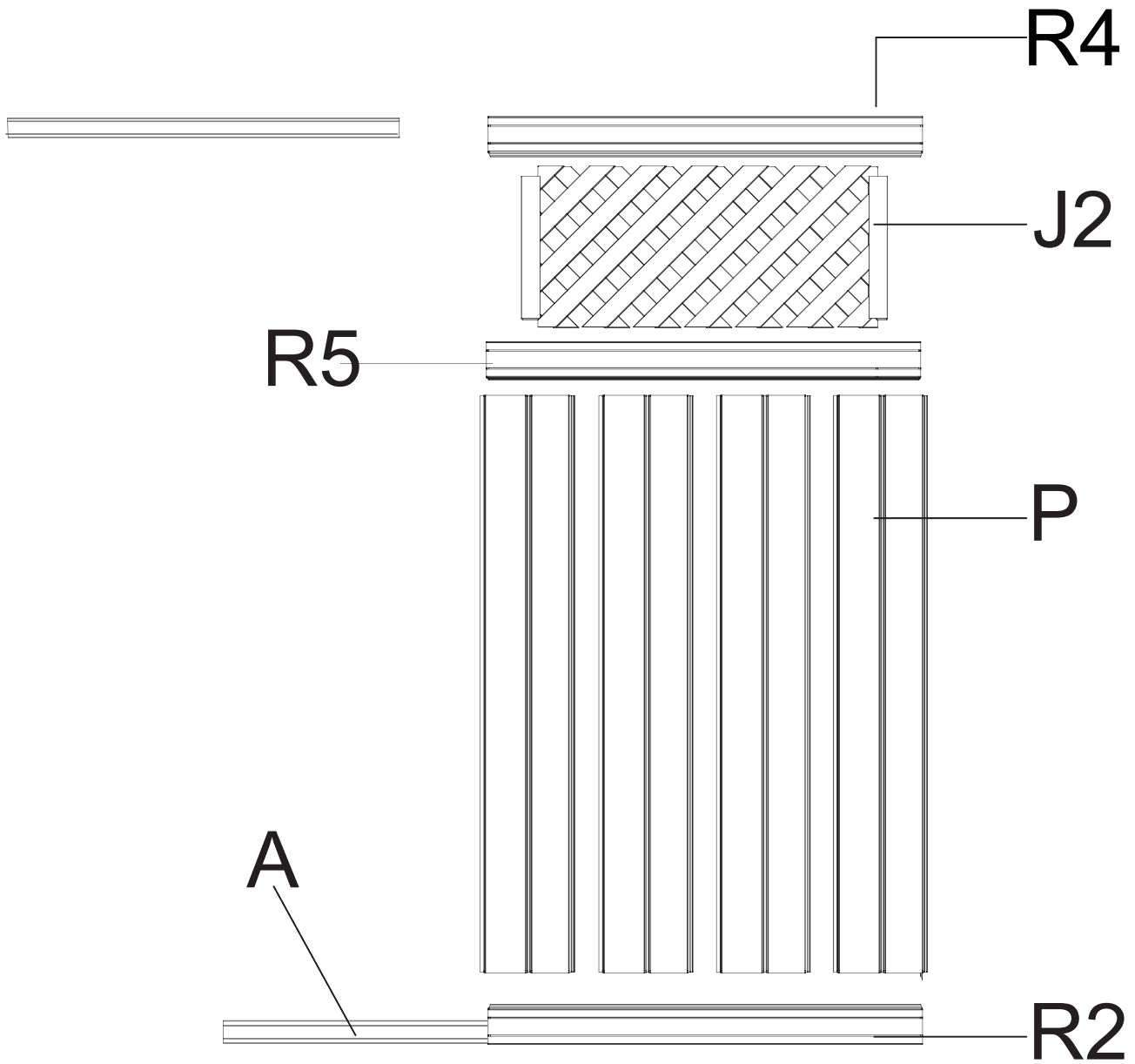
As shown in the figure, install Roof(O) on Top Rail (Y1) and fix it with Screws (U3) according to the lead hole position. And install Post Cap (Z) on Extension Post(E).

Door Support (Y)

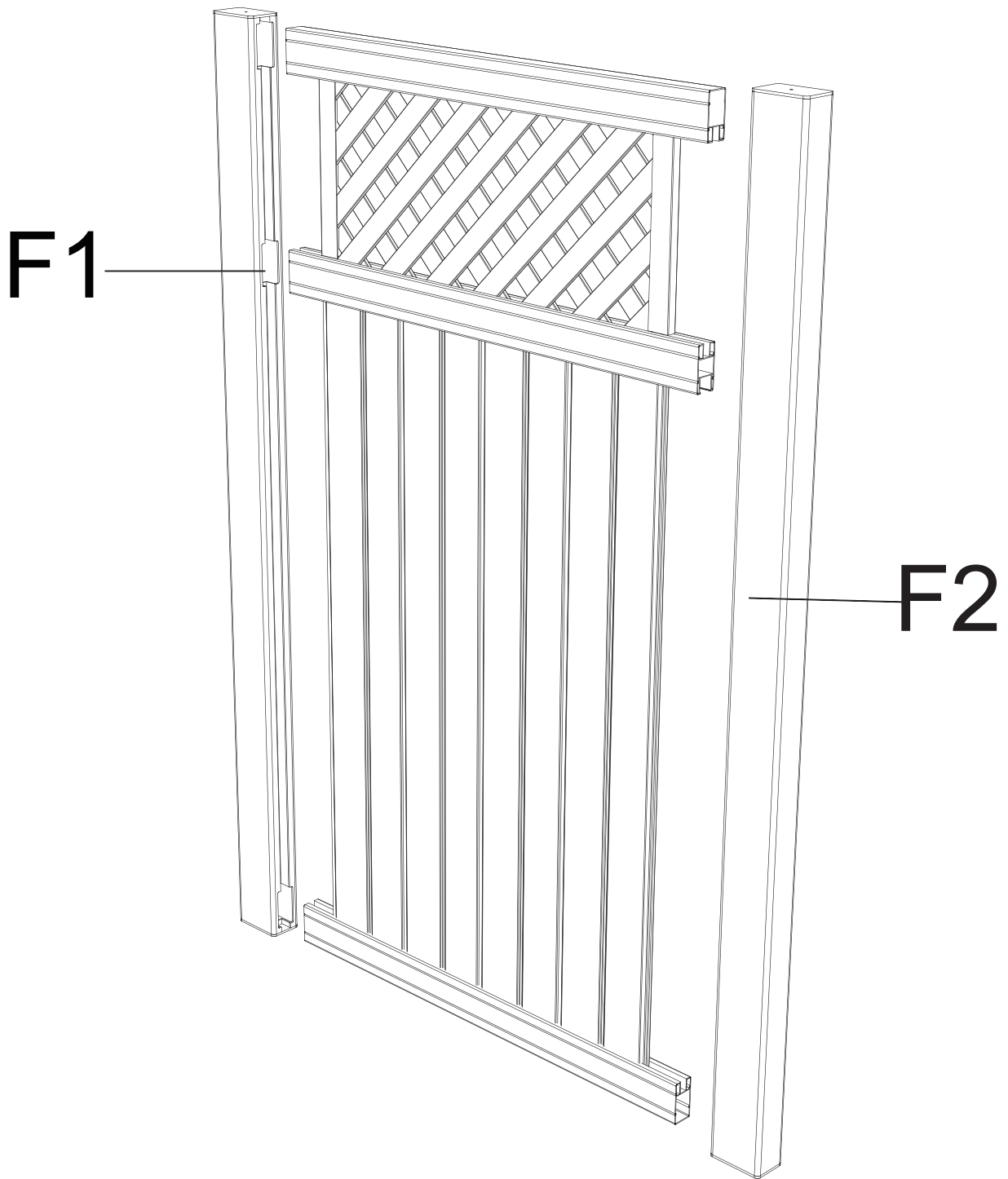


Door Frame Cover (T)
2x

Fix the Door Support (Y) to Post-B (S13) and Post-C (S14) with Screws (U3), and fix the Door Stopper strips (T) on both sides to Post-B (S13) and Post-C (S14) with Screws (U3).

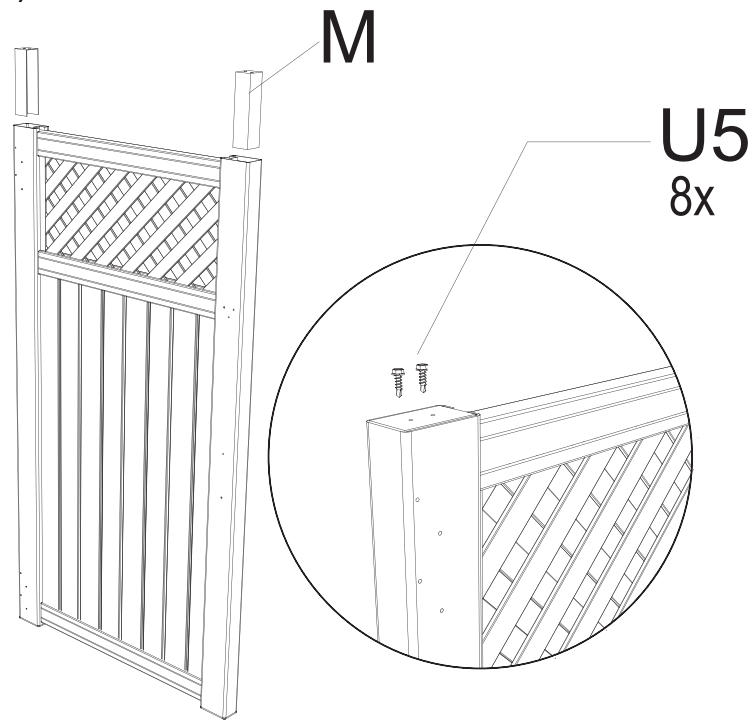


Insert the Aluminum lining (A) into the Up Rail-Door (R4) and Bottom Rail-Door (R2). Assemble Up Rail-Door (R4), Bottom Rail-Door (R2), Middle Rail-Door (R5), Grid-Door (J2), and Panel (P) together.

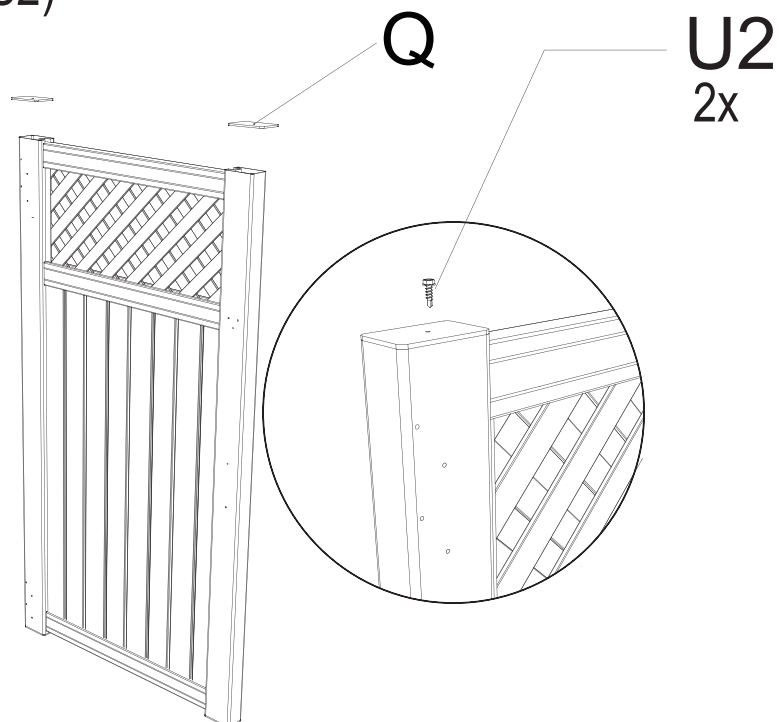


Insert the Right Door Frame (F1) and the Left Door Frame (F2) at both ends of the Up Rail-Door (R4), Middle Rail-Door (R5), and Bottom Rail-Door (R2) respectively, and assemble them into doors.

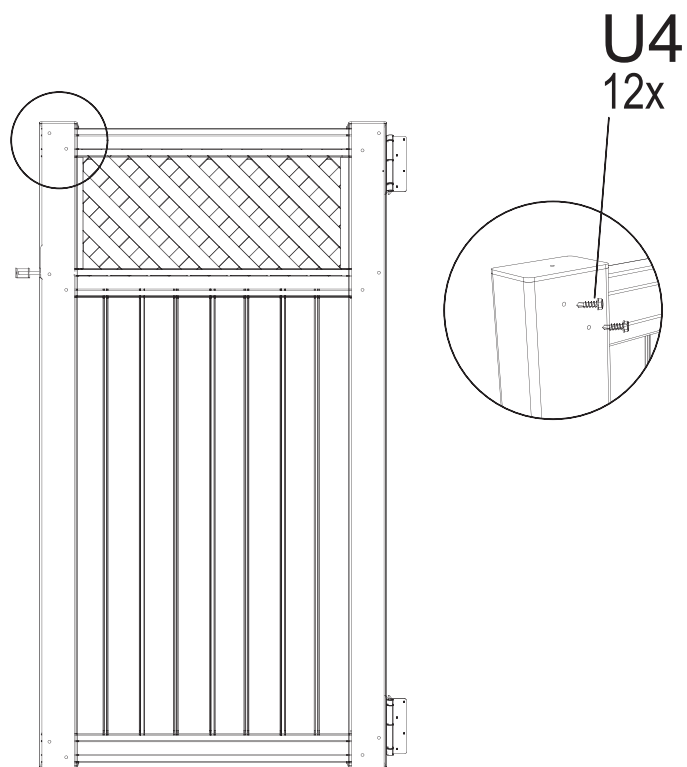
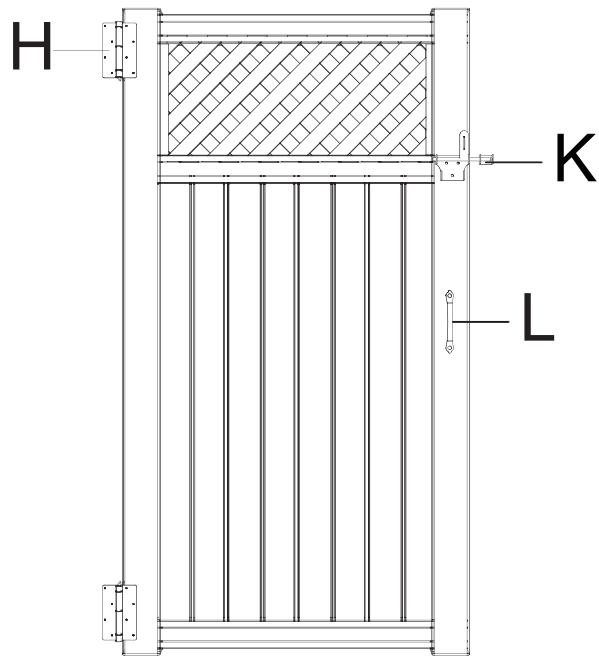
(S1)



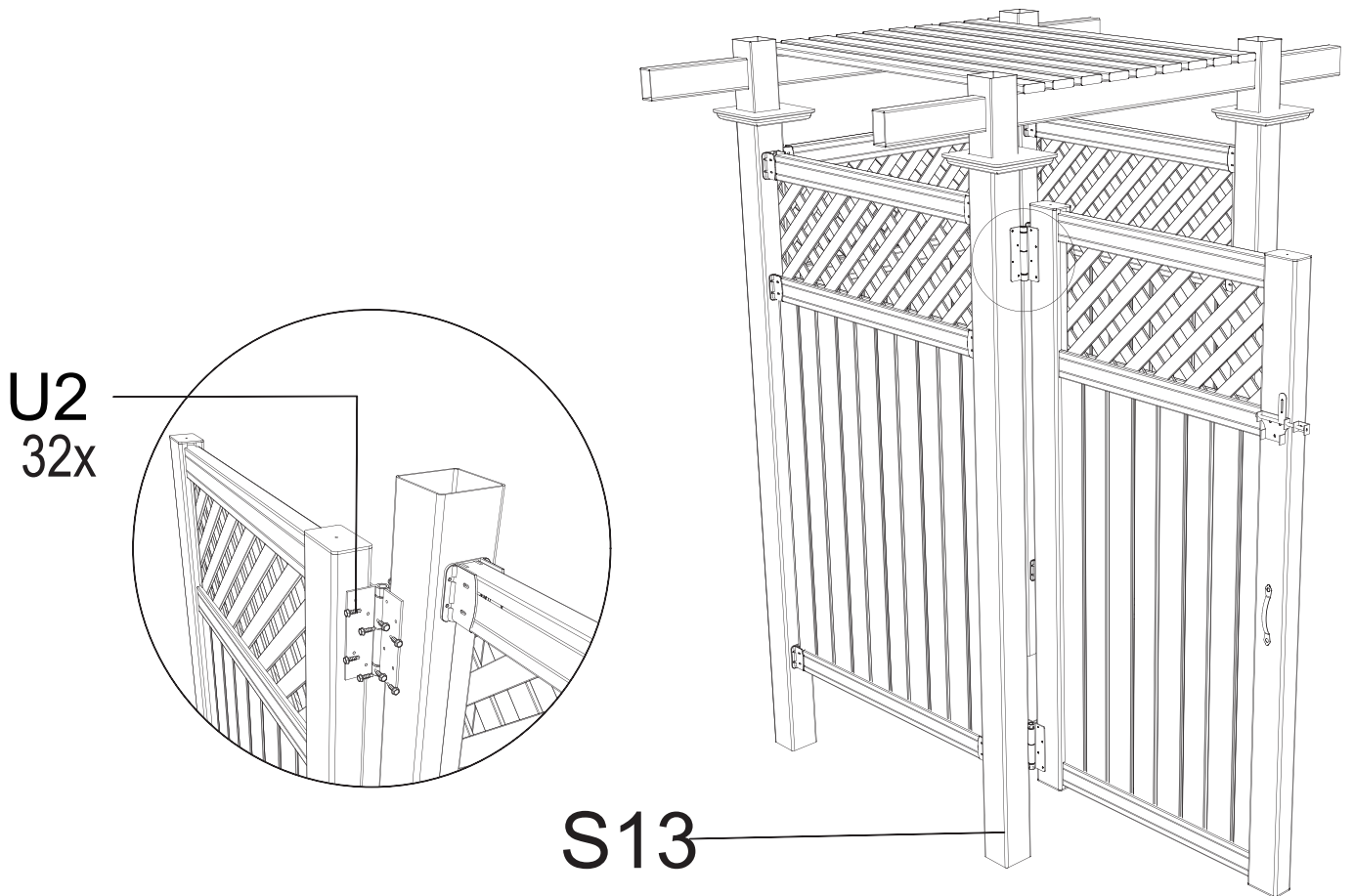
(S2)



(S1): Insert the Door Frame Corner Brace(M) into the Right Door Frame (F1) and Left Door Frame(F2), and fix them with Screws (U5).
(S2): Cover with Door Frame Cover (Q) and fix with Screws(U2).



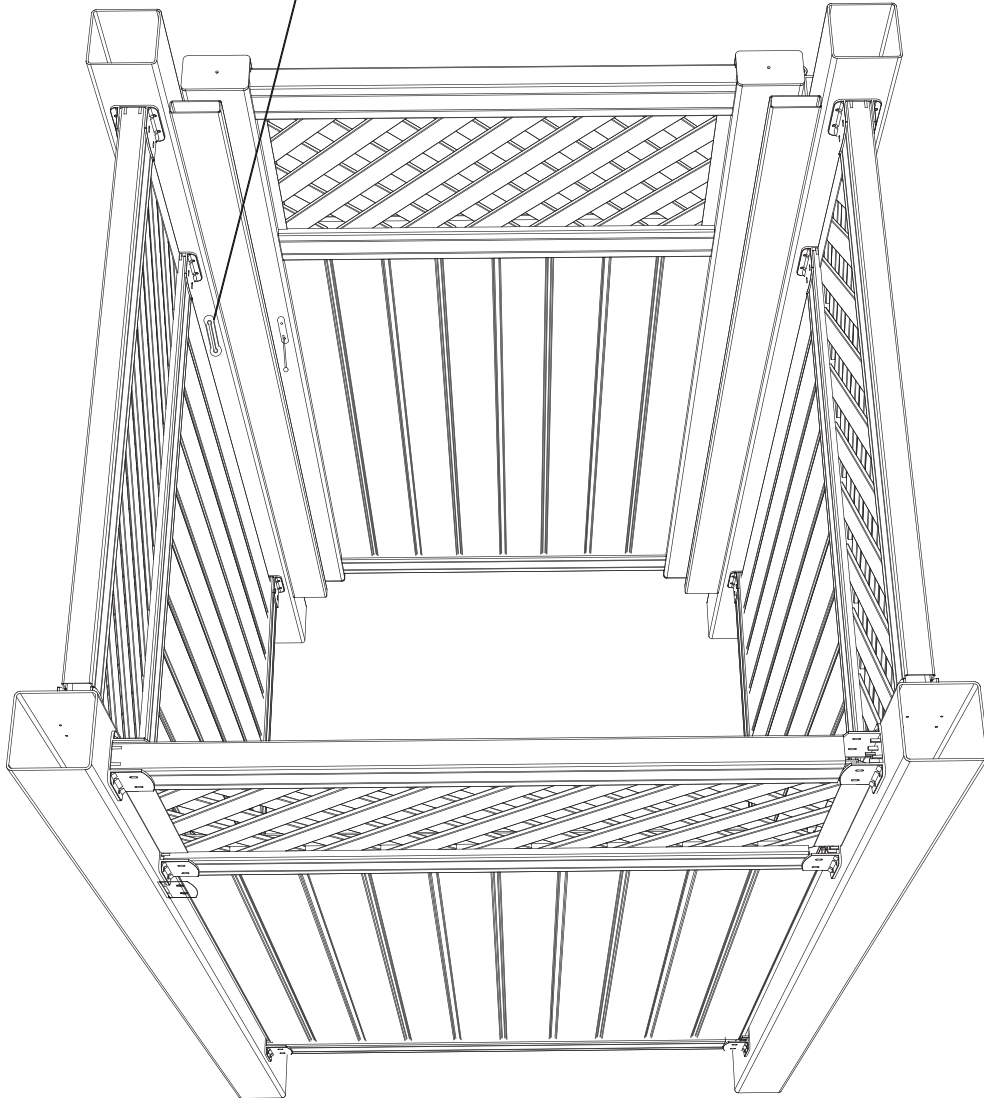
Install the Hinge(H), Door Lock(K), Door Handle(L), and fix it with Screws(U2). The back is fixed with Screws(U4).



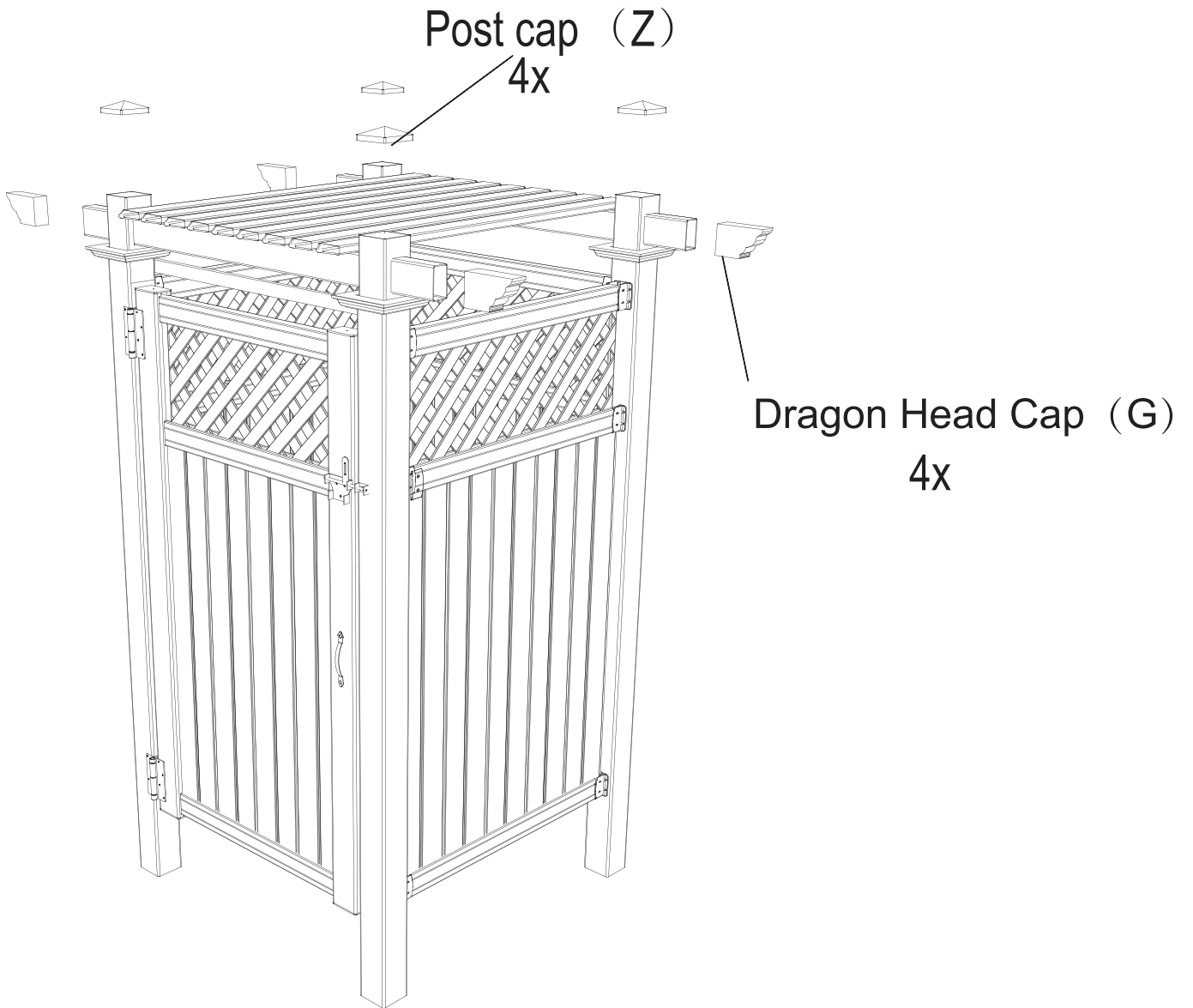
Install the door on Post-B(S13) and fix it with Screws(U2).

Door Chain(N)

1x



Fix the Door Chain(N) in Post-C(S14).



Install Post cap (Z) and Dragon Head Cap (G).

