

# ASSEMBLY INSTRUCTIONS



*Fine Furniture for every stage of life*

SOFA

## ASSEMBLY INSTRUCTIONS

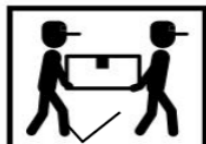
### ASSEMBLY TIPS:

- 1.Remove plastic legs from sofa bottom and sort by size.
- 2.Please check to see that parts are present prior to start of assembly.
- 3.Please follow attached instruction in the same sequence as numbered to assure fast & easy assembly.



### WARNING!

- 1.Don't attempt to repair or modify parts that are broken or defective. Please contact the store immediately.
- 2.This product is for home use only and not intended for commercial establishment.

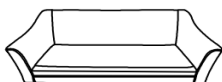


ASSEMBLY TIME

8 MINUTES

## PARTS IDENTIFICATION

A BASE



1PC

~~Ó~~ SIDE ~~Á~~ BACK CUSHION



2PCS

~~Ô~~ ~~Á~~ ~~Ö~~ ~~Ö~~ ~~Ö~~ ~~Á~~ BACK CUSHION



1PC

~~Đ~~ SEAT CUSHION



3PCS

E PILLOW



2PCS

F PLASTIC LEG



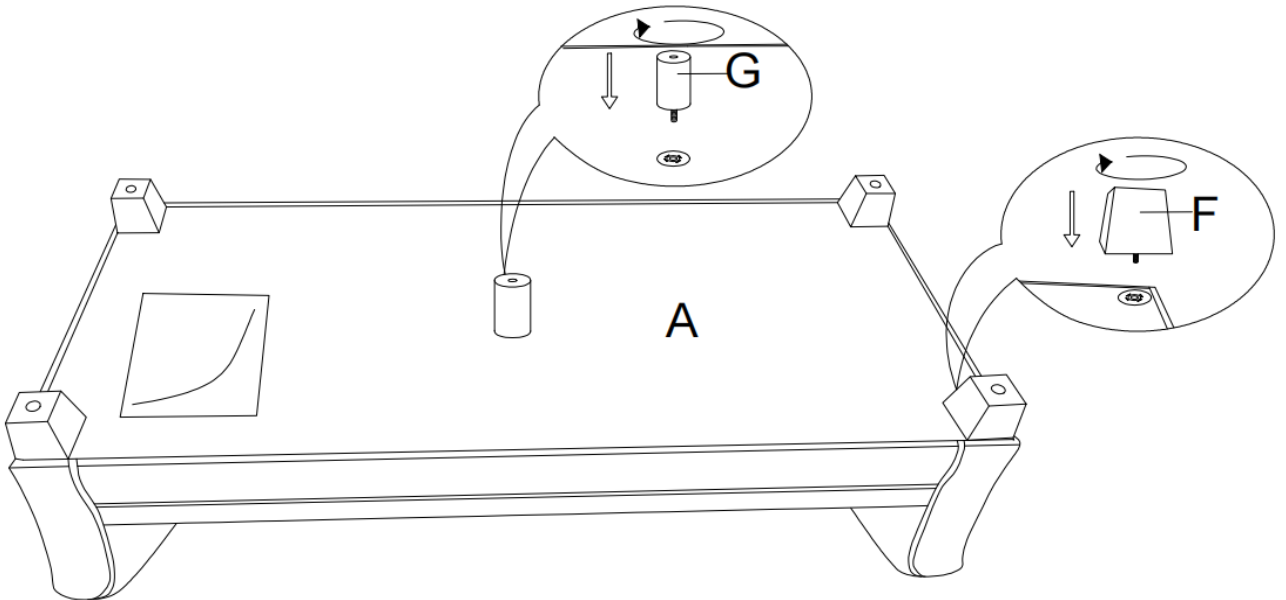
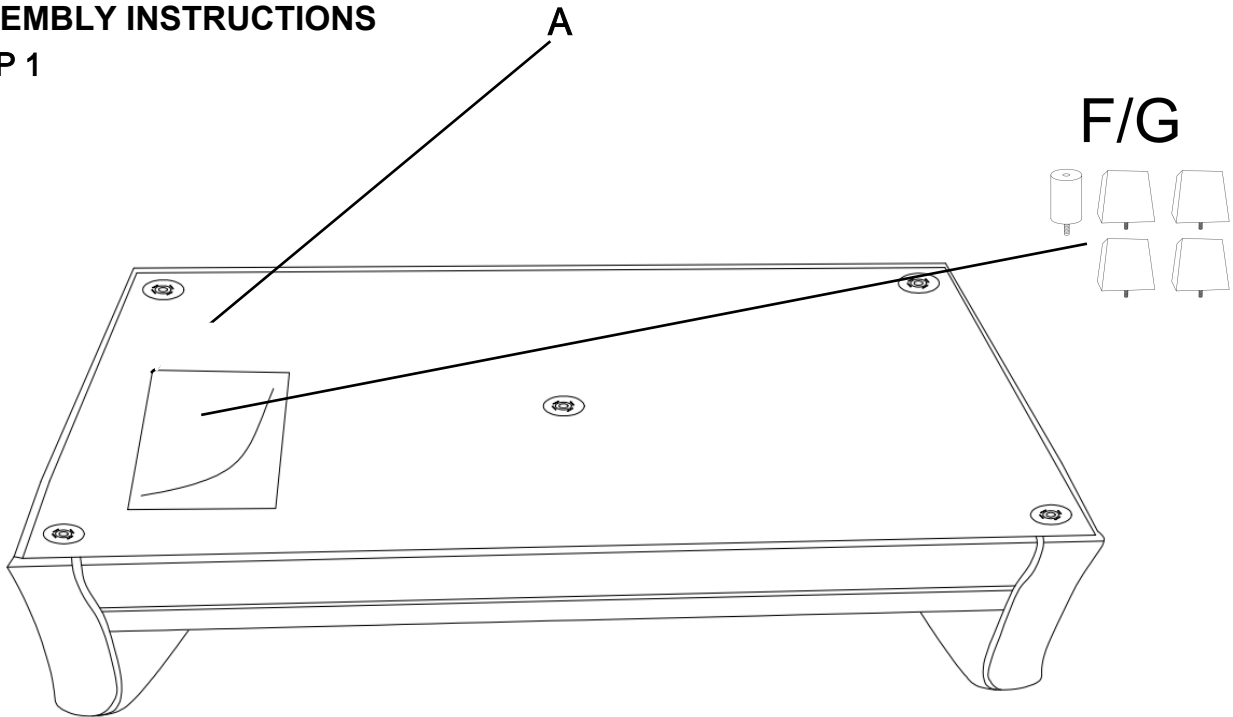
4PCS

G MIDDLE PLASTIC LEG

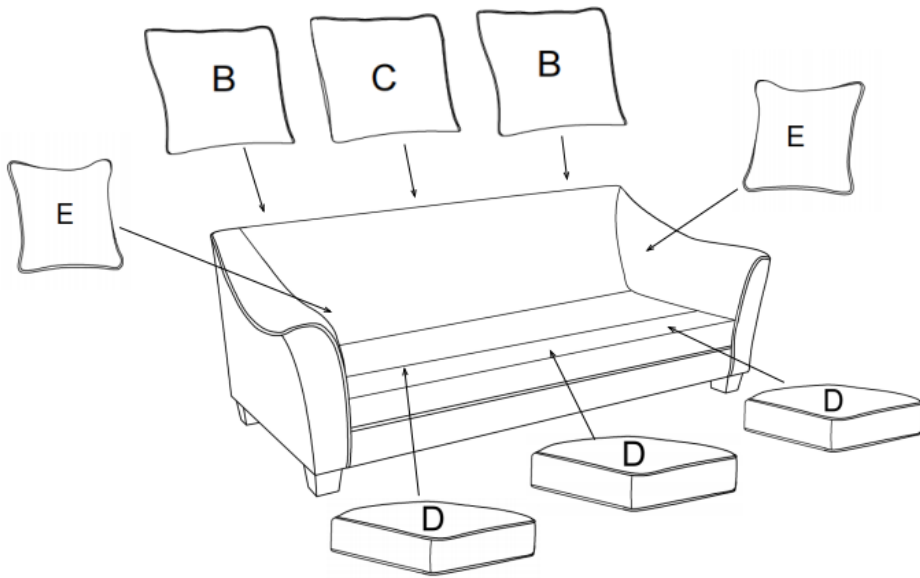


1PC

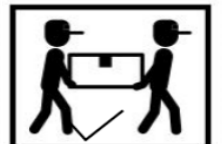
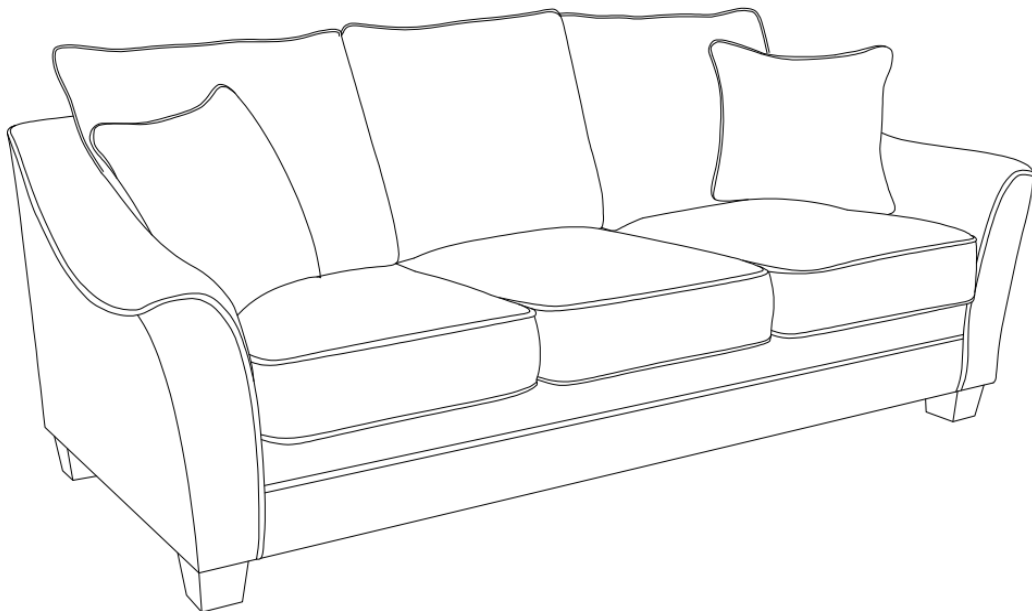
**ASSEMBLY INSTRUCTIONS**  
**STEP 1**



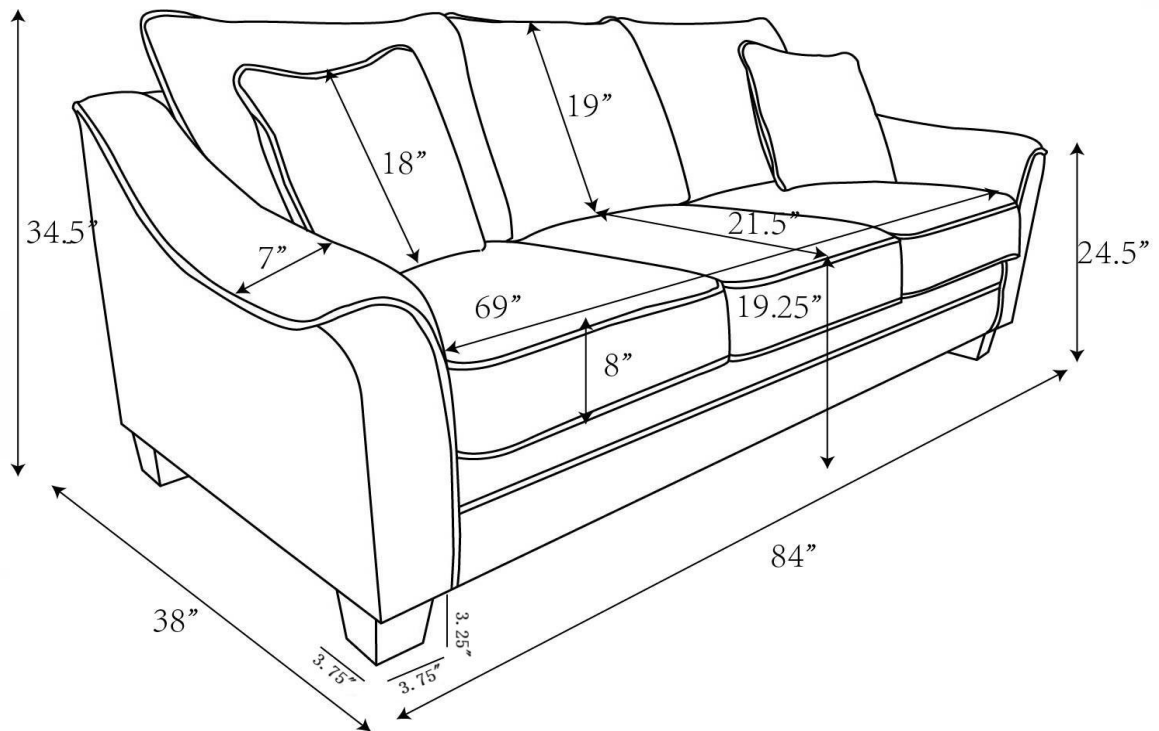
**ASSEMBLY INSTRUCTIONS**  
**STEP 2**



**STEP 3** Assembly completed



## ASSEMBLY INSTRUCTIONS



Note: Dimension tolerance  $\pm 5\%$

# ASSEMBLY INSTRUCTIONS



*Fine Furniture for every stage of life*

## LOVESEAT

## ASSEMBLY INSTRUCTIONS

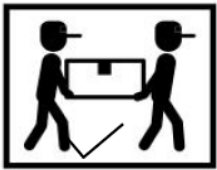
### ASSEMBLY TIPS:

- 1.Remove plastic legs from loveseat bottom and sort by size.
- 2.Please check to see that all parts are present prior to start of assembly.
- 3.Please follow attached instruction in the same sequence as numbered to assure fast & easy assembly.



### WARNING!

- 1.Don't attempt to repair or modify parts that are broken or defective. Please contact the store immediately.
- 2.This product is for home use only and not intended for commercial establishment.

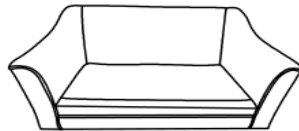


ASSEMBLY TIME

5 MINUTES

## PARTS IDENTIFICATION

A BASE



1 PC

B SEAT CUSHION



2PCS

C BACK CUSHION



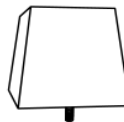
2PCS

D PILLOW



2PCS

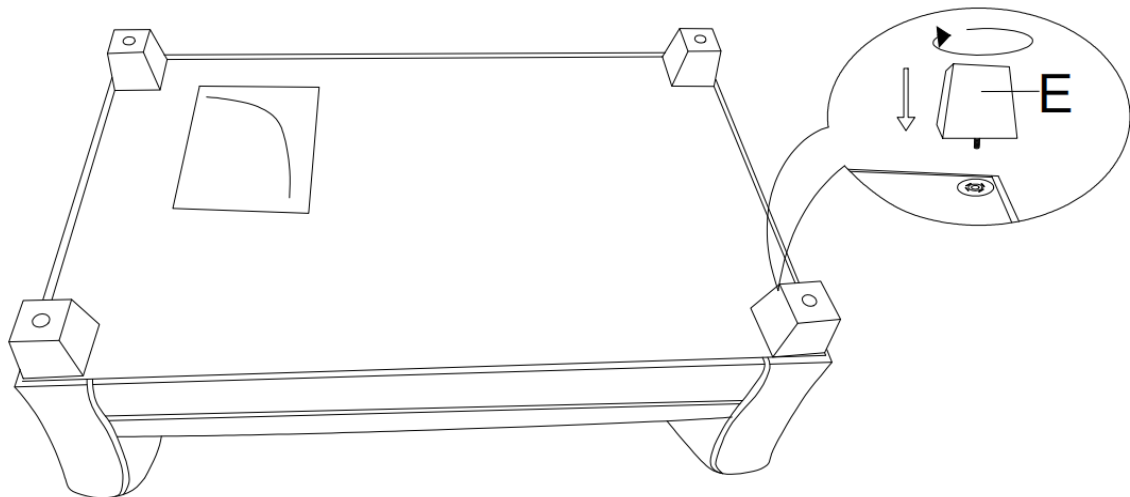
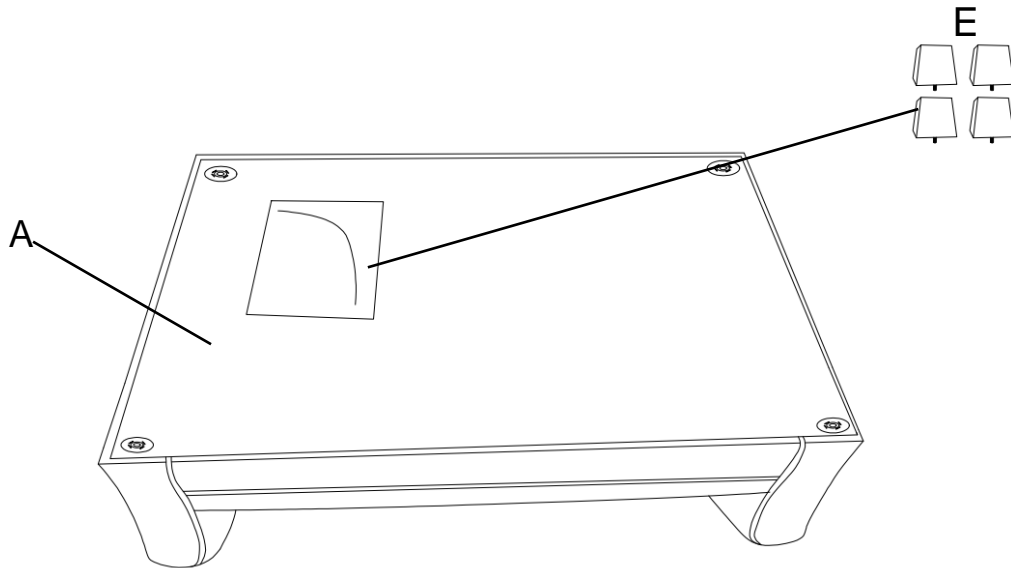
E PLASTIC LEG



4PCS

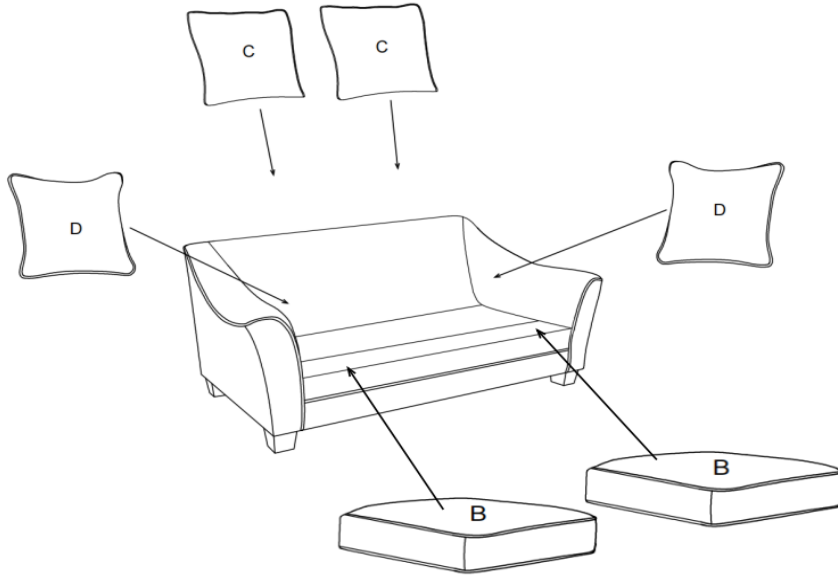
# ASSEMBLY INSTRUCTIONS

## STEP 1

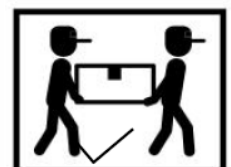
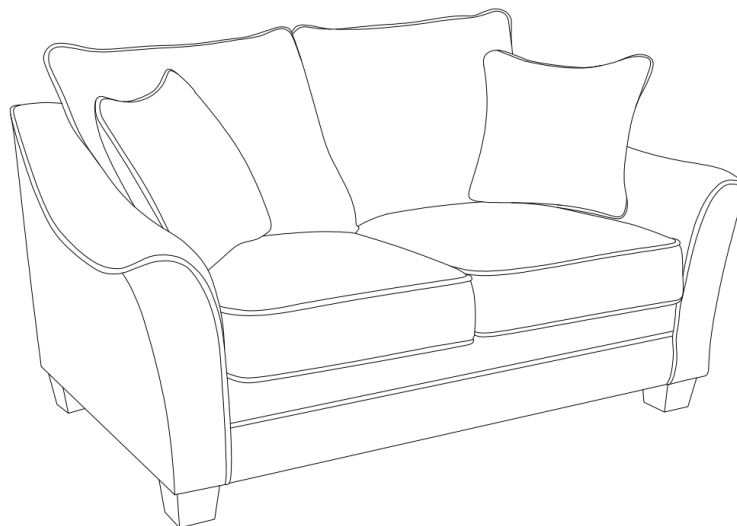


## ASSEMBLY INSTRUCTIONS

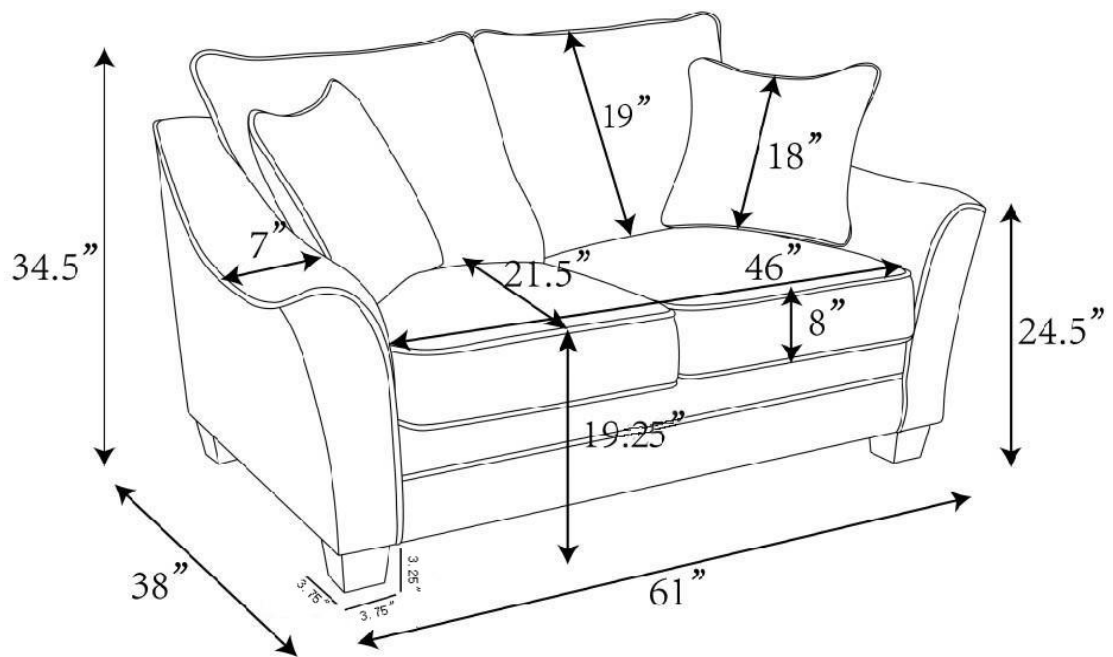
### STEP 2



### STEP 3 Assembly completed



## ASSEMBLY INSTRUCTIONS



Note: Dimension tolerance  $\pm 5\%$

# ASSEMBLY INSTRUCTIONS



*Fine Furniture for every stage of life*

## CHAIR

## ASSEMBLY INSTRUCTIONS

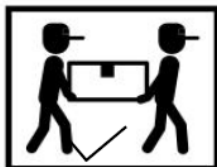
### ASSEMBLY TIPS:

- 1.Remove Plastic legs from chair bottom and sort by size.
- 2.Please check to see that all parts are present prior to start of assembly.
- 3.Please follow attached instruction in the same sequence as numbered to assure fast & easy assembly.



### WARNING!

- 1.Don't attempt to repair or modify parts that are broken or defective. Please contact the store immediately.
- 2.This product is for home use only and not intended for commercial establishment.

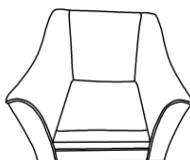


ASSEMBLY TIME

3 MINUTES

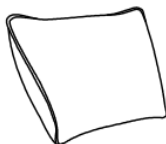
## PARTS IDENTIFICATION

A BASE



1PC

B BACK CUSHION



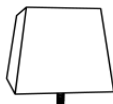
1PC

C SEAT CUSHION



1PC

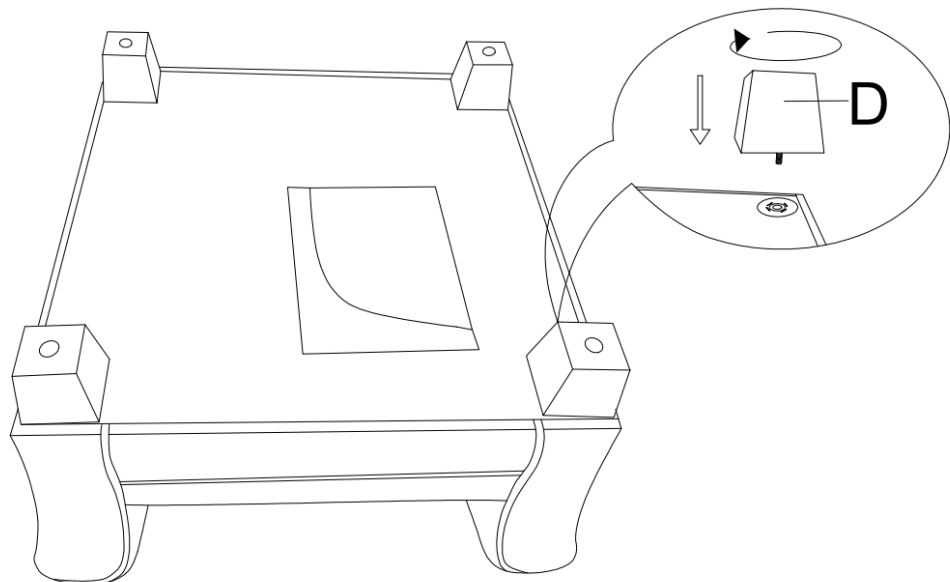
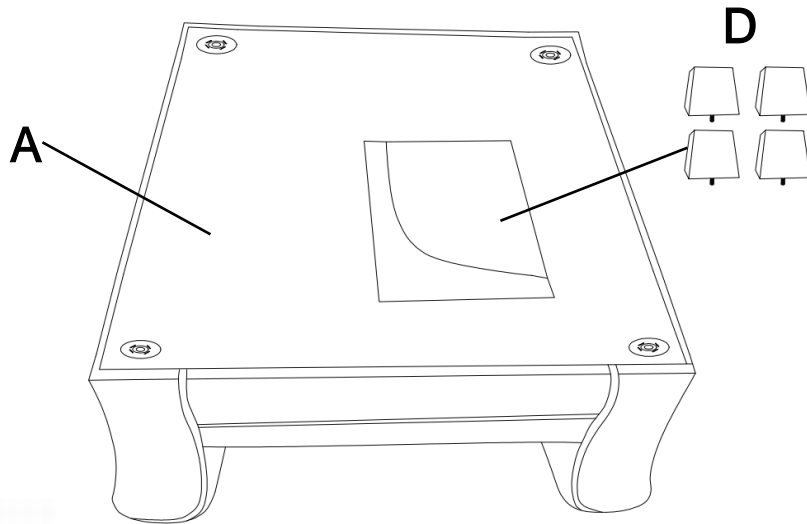
D PLASTIC LEG



4PCS

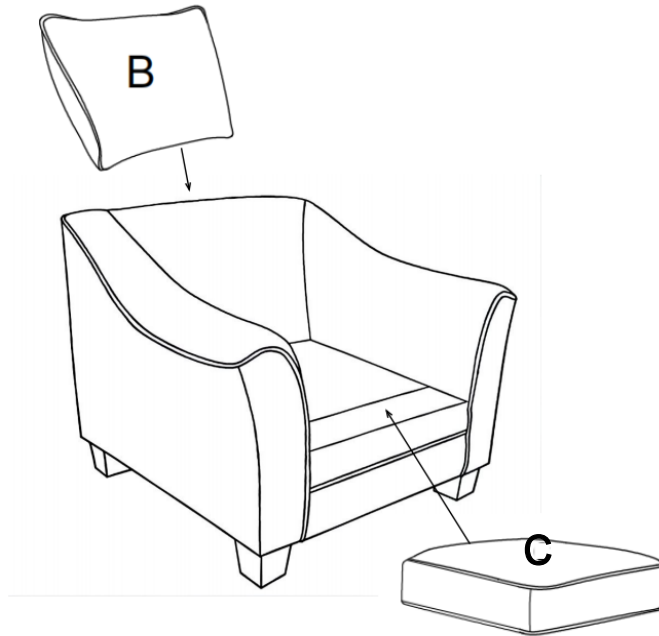
# ASSEMBLY INSTRUCTIONS

## STEP 1

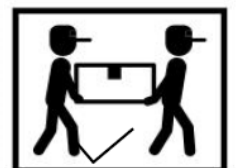
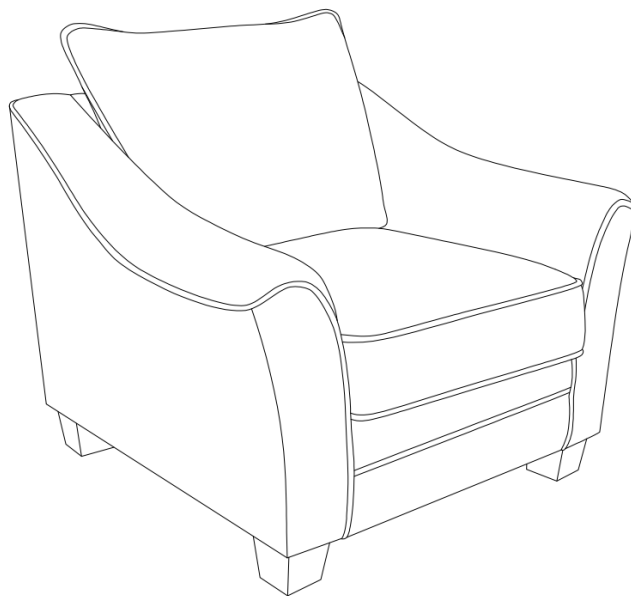


## ASSEMBLY INSTRUCTIONS

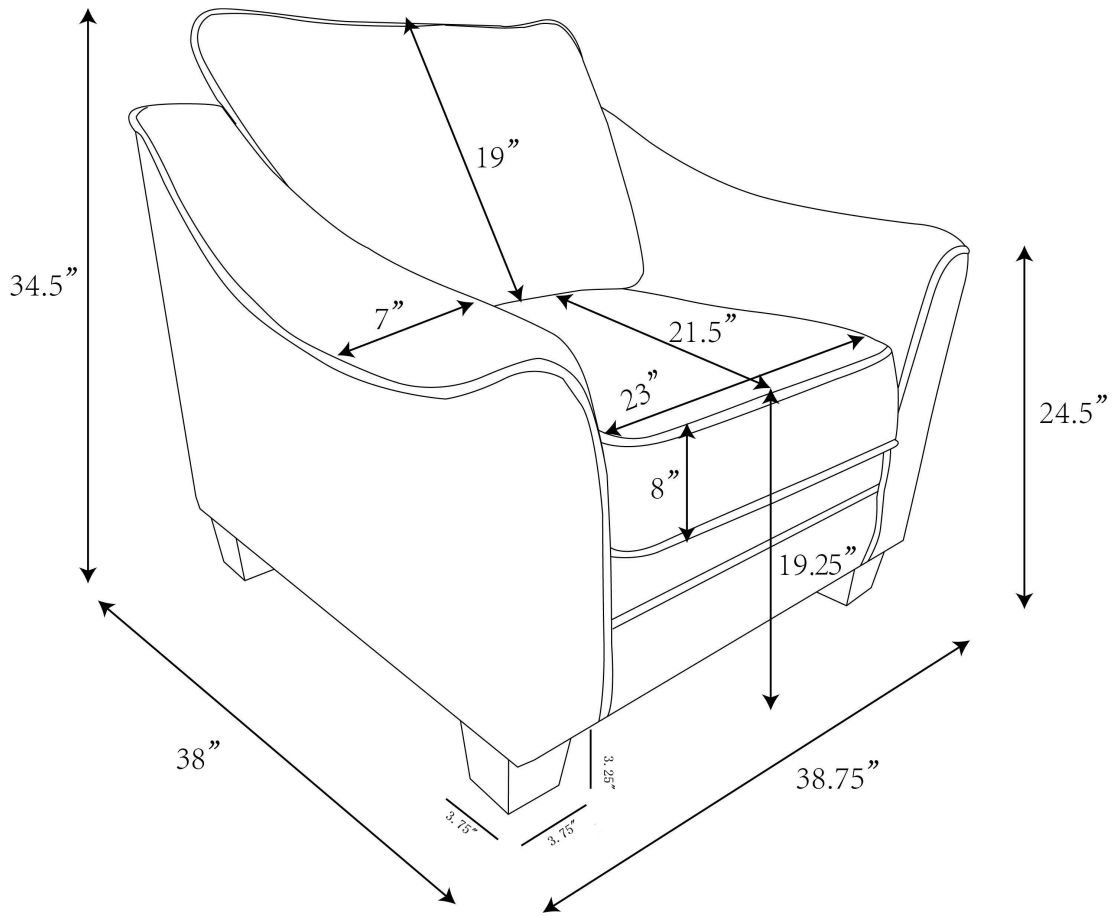
### STEP 2



### STEP 3 Assembly completed



# ASSEMBLY INSTRUCTIONS



Note: Dimension tolerance  $\pm 5\%$