

ASSEMBLY INSTRUCTION

A Wooden Slat



26pcs

B Support Leg



4pcs

C Iron Pipe



1pc

D Single-Sided Cover



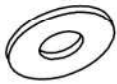
26pcs

E Double-Sided Cover



13pcs

F Flat Washer



20pc

G Lock Washer



17pcs

H Bolt
1/4" x 30mm



2pcs

I Bolt
1/4" x 50mm



12pcs

J Allen Wrench



1pc

K Iron Pipe



1pc

L Bolt
1/4" x 65mm



3pcs

M Nut



3pcs

N Wrench



1pc

O Iron Pipe



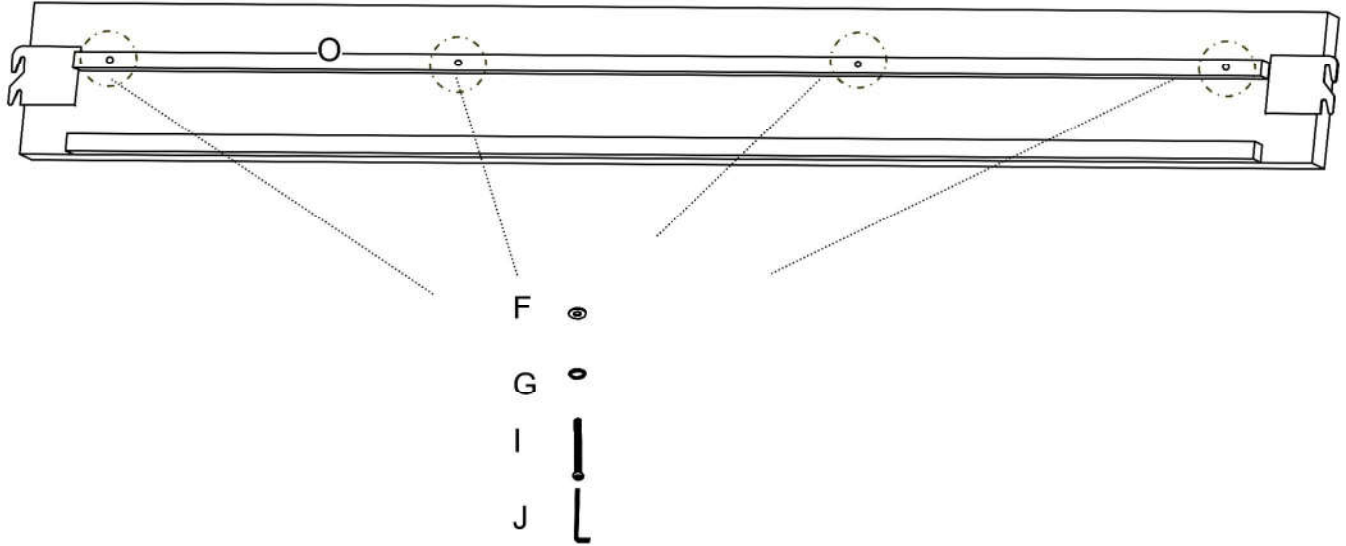
2pcs



This page lists all the contents included in the box. Please take the time to identify the hardware as well as the individual components to this product. As you unpack and prepare for assembly, place the contents on a carpeted or padded area to protect them from damage

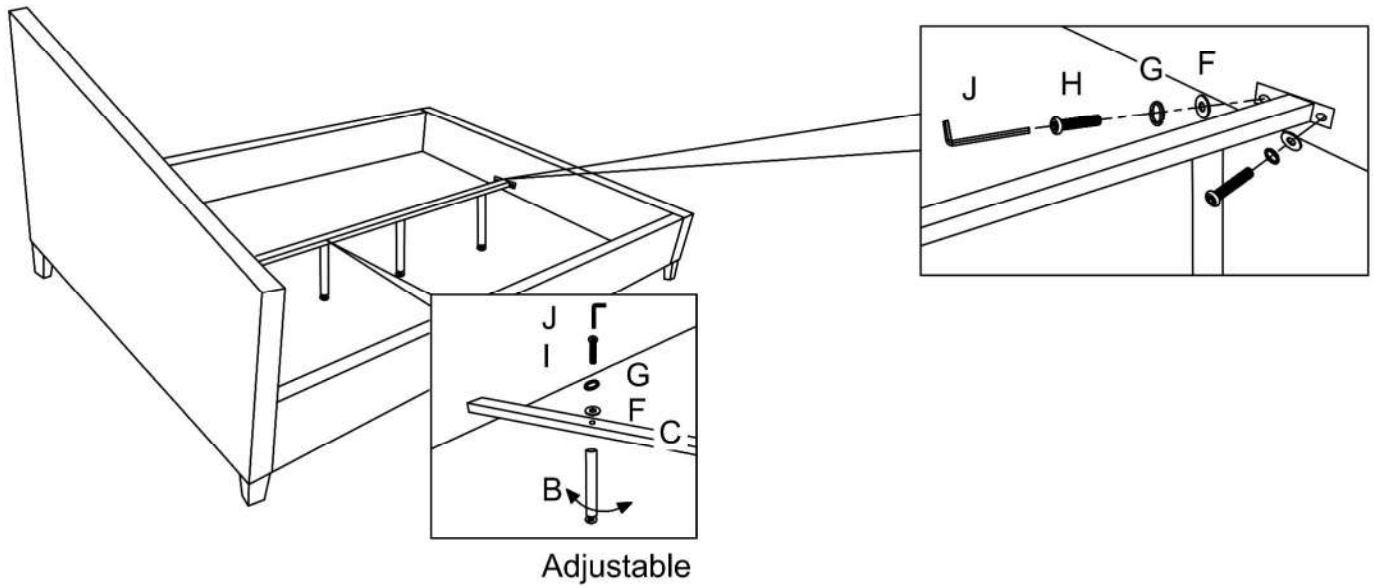
1

Attached Iron Pipe(O) to the both Side Rails use Bolt(I), Flat Washer(F), Lock Washer(G) by Allen Wrench(J).



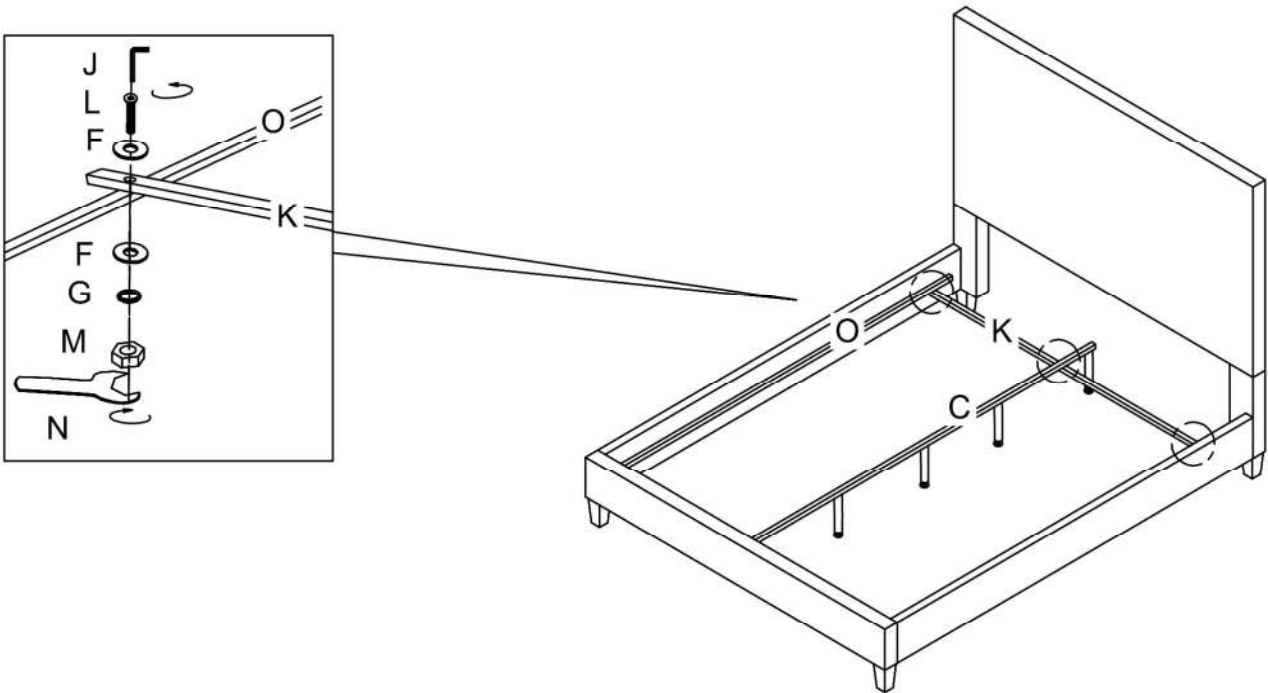
2

Attached Support Leg(B) to the Iron Pipe(C) use Bolt(I), Flat Washer(F), Lock Washer(G) by Allen Wrench(J). Then assembly Iron Pipe(C) to Footboard use Bolt(H), Flat Washer(F), Lock Washer(G) by Allen Wrench(J).

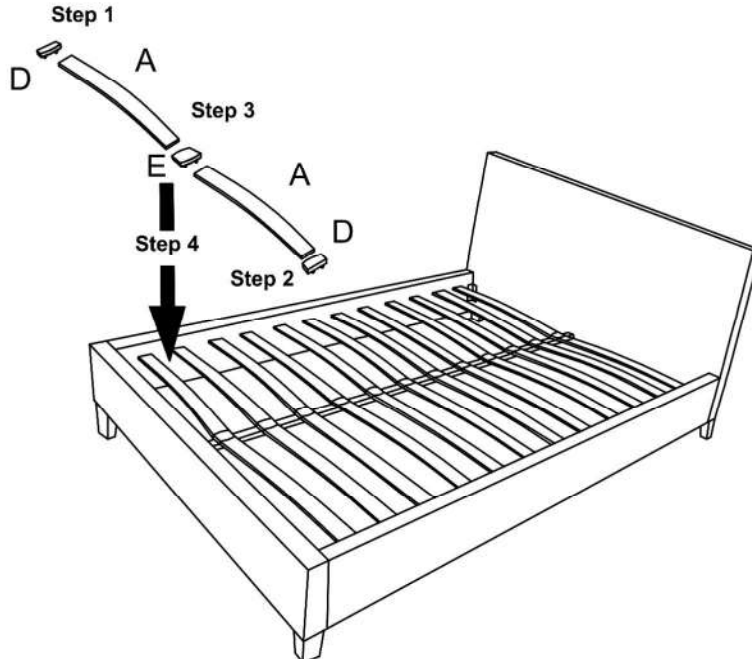


3

Assembly Iron Pipe(K) to Iron Pipe (O) and Iron Pipe(C) use Bolt(L), Flat Washer(F), Lock Washer (G), Nut(M) by Allen Wrench(J) & Wrench(N).

**4**

Attach Wooden Slat(A) with Single-Sided Cover(D) at both end, then attach the Wooden Slat(A) into Double-Sided Cover(E) and press downward Double-Sided Cover(E) lock in the hole on the center metal rail.



Cleaning & Care

Treat surface with care. Surface is resistant to scratches but is not scratch resistant. Clean surfaces with a dry or damp soft cloth. Do not use abrasive cleaners. Hardware may loosen over time. Periodically check that all connections are tight