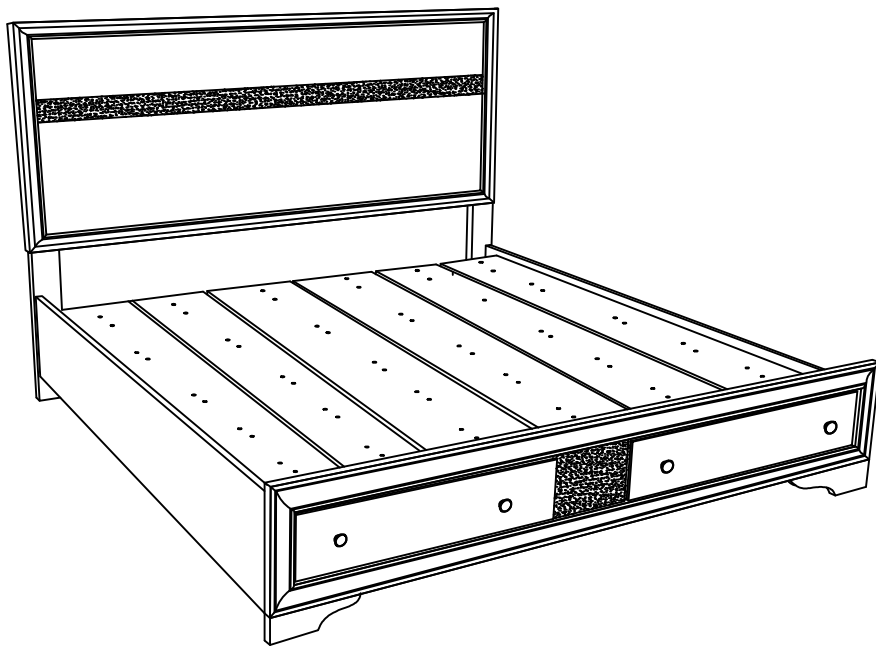


ASSEMBLY INSTRUCTIONS



TOOLS REQUIRED



Allen Wrench

(Included)



Phillips
Screwdriver

(Not Included)



**2 - People
Recommended**

ASSEMBLY RATING



EASY —————> DIFFICULT

The Assembly Rating is a 5-point system showing the level of effort needed to assemble a specific product.



CHECK BEFORE STARTING

Are you missing anything?

Double-check all parts, hardware and accessories listed are all accounted for.

Check out our Quick Tips!

We recommend reviewing the pre-assembly handouts. Even experts need a refresher now and then!

Should we send any replacements?

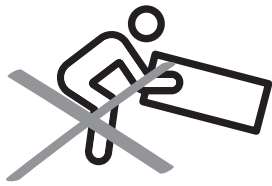
Are there any irregularities or flaws in the parts? We can send replacements!

Prep Time!

Please review the assembly instructions and all diagrams prior to assembling.

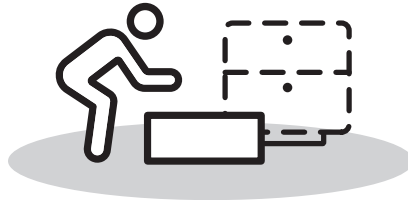
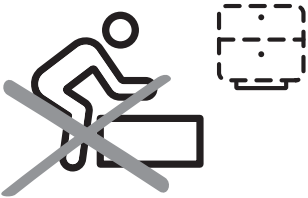
PRE ASSEMBLY INTRODUCTION

We understand building ready-to-assemble furniture can be a challenging experience for some. To help avoid confusion, we have provided some helpful tips that may speed up the process.



Teamwork

ALWAYS have at least two people to help with transporting and assembling the product to avoid potential injury and/or damage.



Suitable Location

Assembling near the area of the intended location is highly recommended.



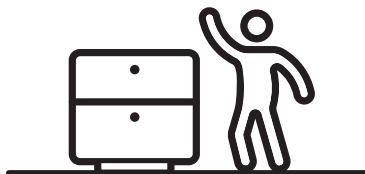
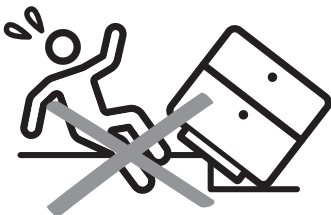
Sufficient Space

Make sure you have enough space to move around during the assembly.



Avoid Scratches

Use cardboard, blankets or a carpeted area while assembling furniture to prevent to prevent scratches and damages.



Flat Surface

Make sure the furniture rests on a flat and level surface with each leg evenly touching the floor.

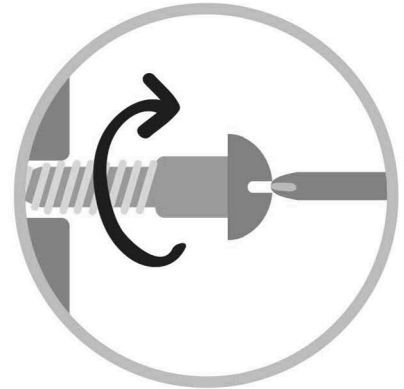
ASSEMBLY AND CARE ADVICE



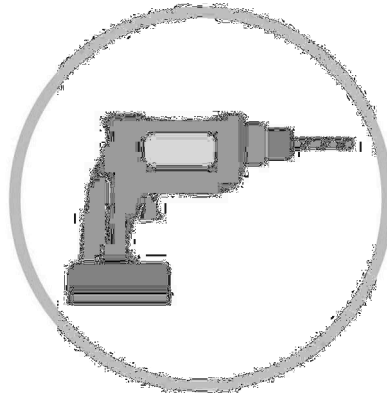
FAILURE TO FOLLOW THE GUIDELINES BELOW MAY RESULT IN INJURY AND/OR PROPERTY DAMAGE.



Position each part correctly and insert screws or bolts into their respective holes.



Turn clockwise to tighten and only tighten when step is completed or when instructed to do so.



Use the appropriate hand tools or power tools for assembly. Select steps, such as tightening screws or bolts, may require hand tools to avoid causing damage during assembly.



Save the instructions and store any supplied tools for later maintenance.



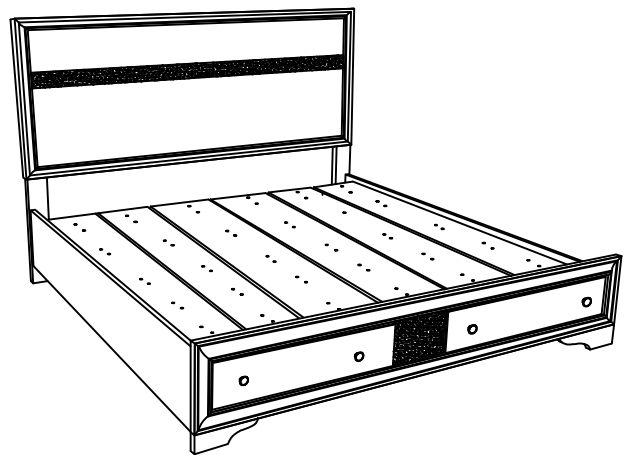
After two weeks, check and tighten any loose hardware and repeat again every six months thereafter.

IT IS THE USER'S RESPONSIBILITY TO MAINTAIN THE FURNITURE. THE HARDWARE MAY LOOSEN OVER TIME AND MAY CAUSE THE FURNITURE TO BE WOBBLY AND UNABLE TO SUPPORT ITS INTENDED WEIGHT CAPACITY. THIS MAY LEAD TO COLLAPSE AND MAY CAUSE SERIOUS INJURY.

EASTERN KING BED



- Please keep instructions for future reference.
- Check the quantity and irregularity of parts and hardware before you start.



PARTS

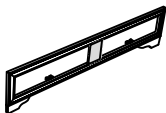
Parts List (Box 1) Headboard Box

#1 1pc



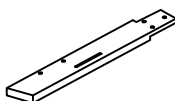
Headboard

#2 1pc



Footboard

#3 2pcs



Headboard
Leg L&R

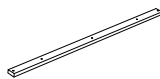
Parts List (Box 2) Side Rail Box

#4 2pcs



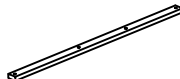
Side Rail

#5 1pc



Center slat Drawer

#6 3pcs



Bed Slat w/o marking
1951 x 45 x 18mm

#7 2pcs



Bed Slat with marking
1951 x 45 x 18mm

#8 8pcs



Bed Slat Support
320 x 30 x 30mm

#9 1pc



Drawer Slat Support
95 x 30 x 30mm

#10 2pcs



Drawer Support Rail
633 x 40 x 20mm

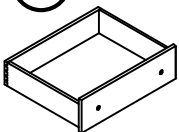
#11 6pcs



Concealed Panel
2040 x 295 x 9mm

Parts List (Box 3) Drawer Box

#12 2pcs

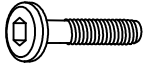


Footboard Drawer

HARDWARE

Parts List (Box 1) Headboard Box

#A 6pcs



Bolt 1/4" x 1-2/8"

#B 6pcs



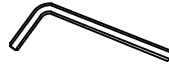
Lock Washer

#C 6pcs



Flat Washer

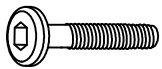
#D 1pc



Allen Key M4

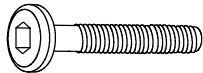
Parts List (Box 2) Side Rail Box

#E 2pcs



Bolt 1/4" x 1-3/8"

#F 9pcs



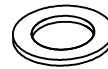
Bolt 1/4" x 2"

#G 2pcs



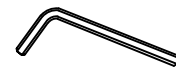
Lock Washer

#H 2pcs



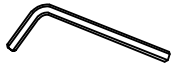
Flat Washer

#I 1pc



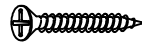
Allen Key M4

#J 1pc



Allen Key M5

#K 14pcs

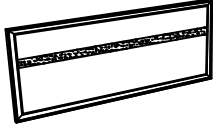
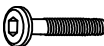


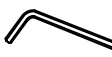
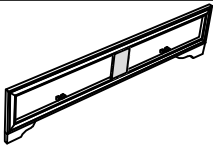
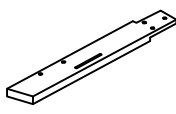

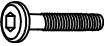
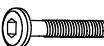


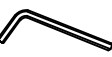
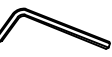





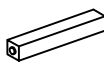



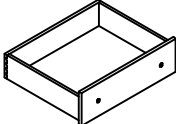


CSK m4 x 32mm

#L 30pcs



P.H Screw m3.5x20mm

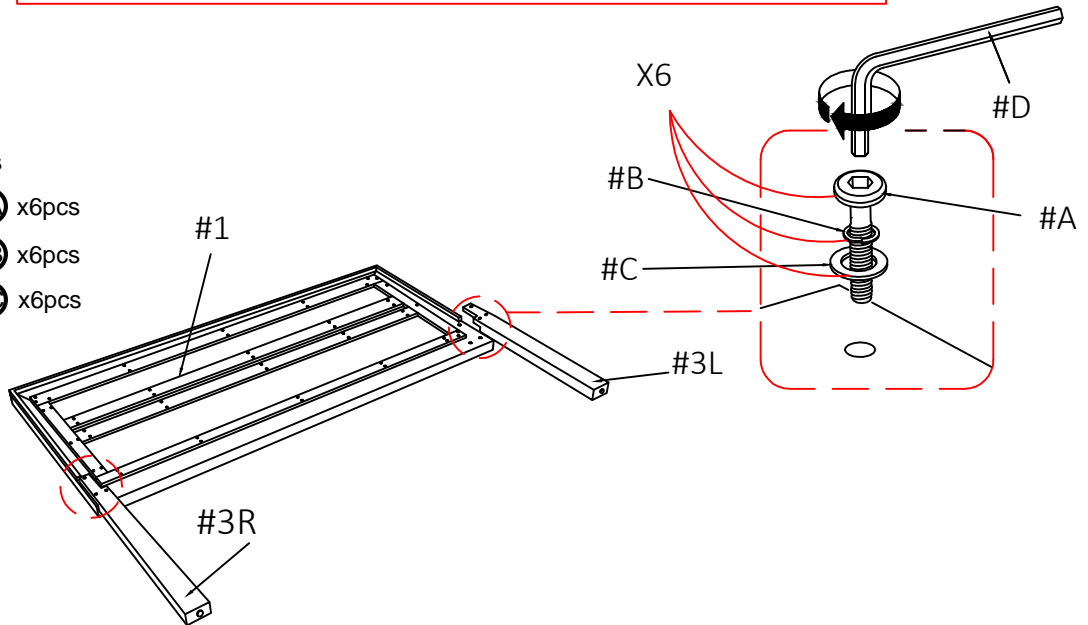
Carton	Designation	Part		Hardware
	E.King Size Bed HB, FB & HB Legs	#1	 X 1	 #A x 6pcs  #B x 6pcs  #C x 6pcs  #D x 1pc
#2		 X 1		
#3		 X 2		
	E.King Size Bed Rails	#4	 X 2	 #E x 2pcs  #F x 9pcs  #G x 2pcs  #H x 2pcs  #I x 1pc  #J x 1pc  #K x 14pcs  #L x 30pcs
#5		 X 1		
#6		 X 3		
#7		 X 2		
#8		 X 8		
		 X 1		
		 X 2		
		 X 6		
	E.King Size Drawer		 X 2	

ASSEMBLY INSTRUCTIONS

Prepare 6 bolts assembly by inserting lock washer (#B), then flat washer (#C) onto bolts (#A).
Align HB legs (#3R/L) to the holes of the headboard (#1). Secure by using bolts (#A).

1

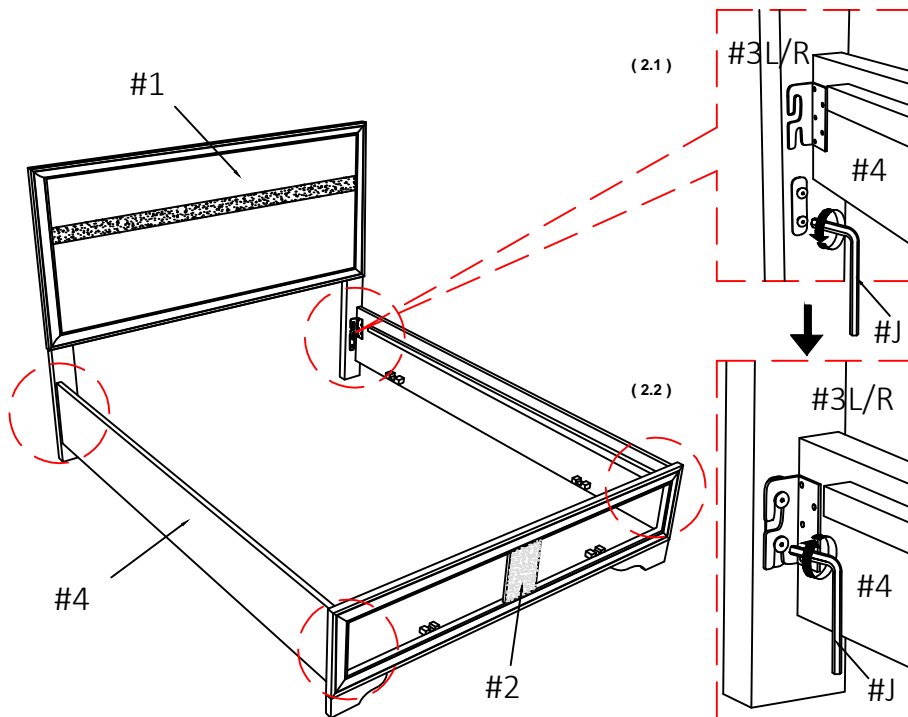
- Part #1 x1pc
- Part #3 x2pcs
- Hardware #A x6pcs
- Hardware #B x6pcs
- Hardware #C x6pcs



2

- Part #2 x1pc
- Part #4 x2pcs

1) Loosen the bolts attached to headboard (#1) and footboard (#2), then hook the side rails (#4) to the loosened bolts on the headboard (#1) and footboard (#2).
2) Tighten the bolts on the headboard (#1) and footboard (#2) to the side rail hooks (#4).

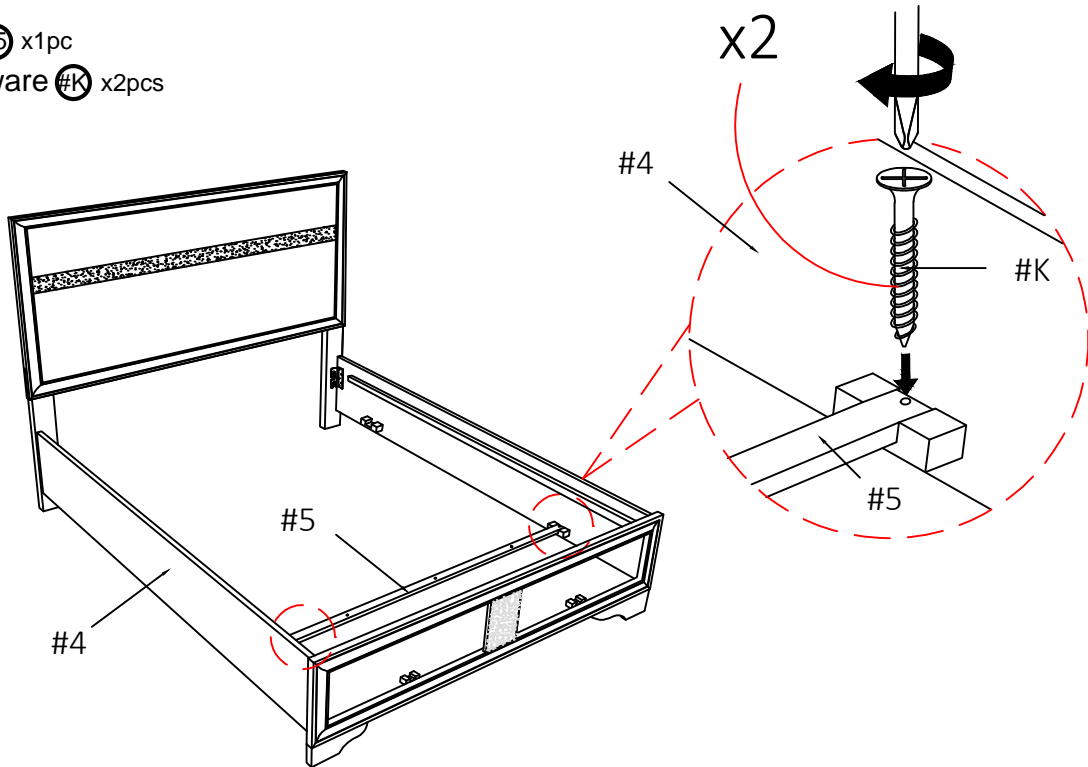


ASSEMBLY INSTRUCTIONS

3

Part #5 x1pc
Hardware #K x2pcs

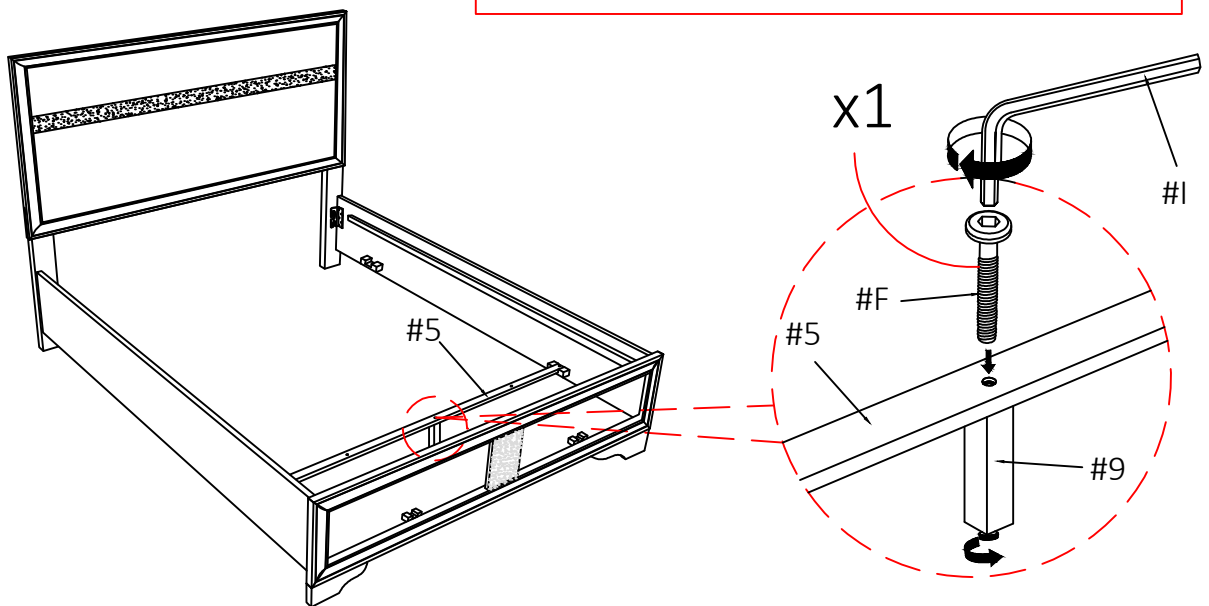
Align center slat drawer (#5) to the side rails (#4), then secure by using screws (#K).



4

Part #9 x1pc
Hardware #F x1pc

Align support leg (#9) to the hole of the center slat drawer (#5), then adjust leveler of the support leg (#9) according to ground level.

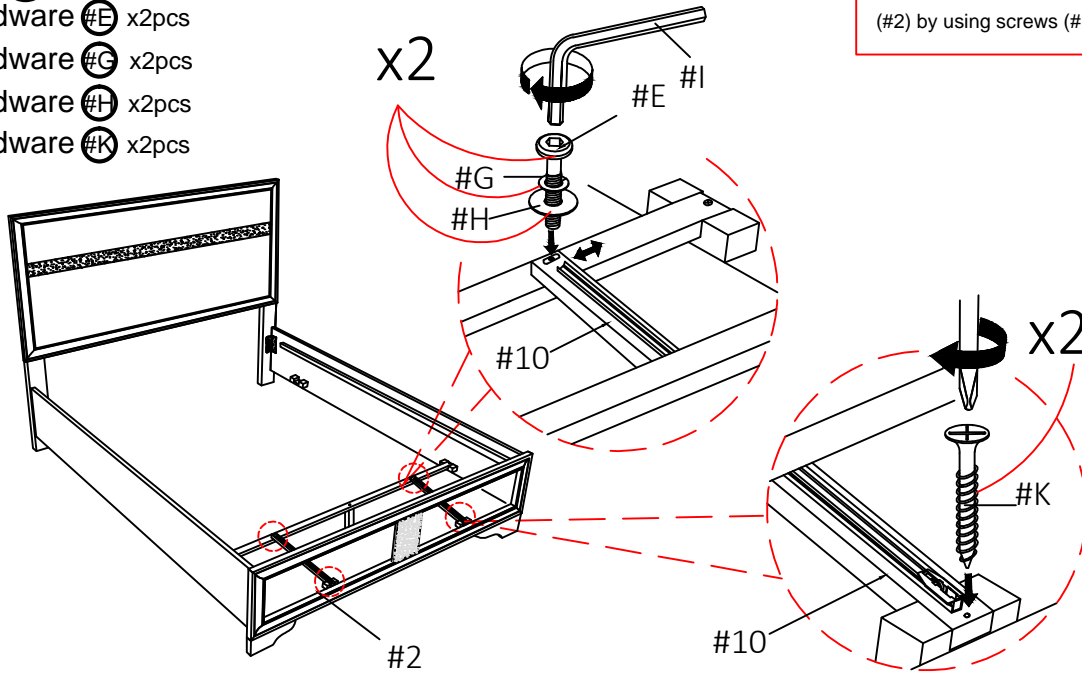


ASSEMBLY INSTRUCTIONS

5

- Part #10 x1pc
- Hardware #E x2pcs
- Hardware #G x2pcs
- Hardware #H x2pcs
- Hardware #K x2pcs

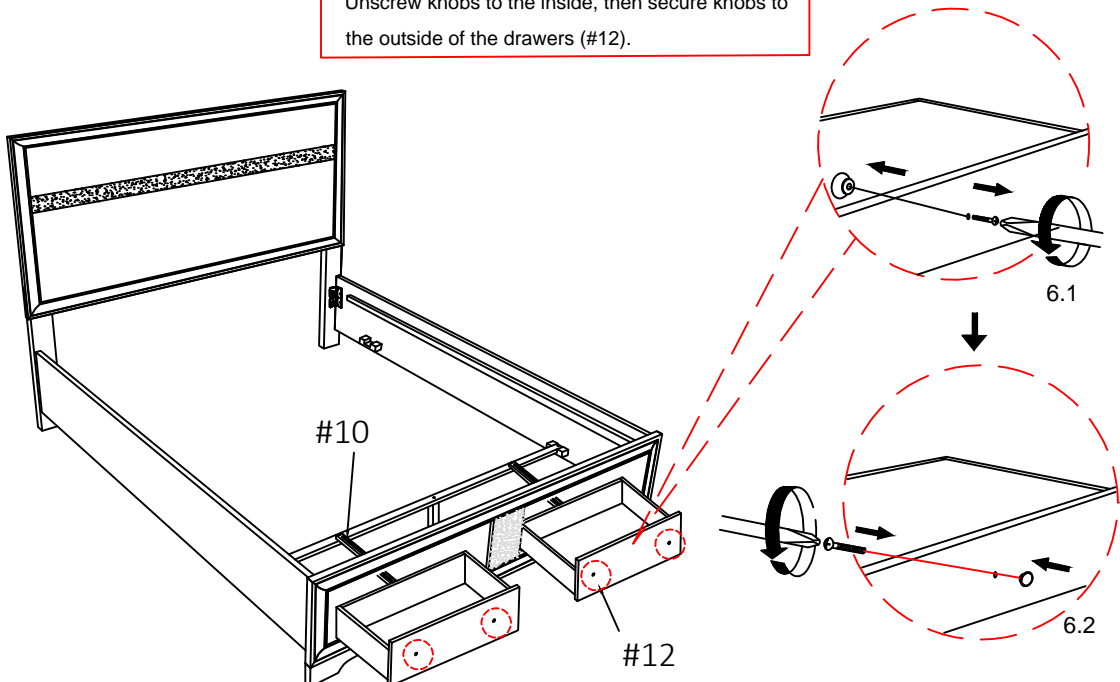
Prepare 2 bolts assembly by inserting lock washer (#G), then flat washer (#H) onto bolts (#E). Align drawer support rail (#10) to the holes of the footboard (#2) and center slat (#5). Secure drawer rail (#10) to center slat (#5) by using bolts (#E), then secure drawer rail (#10) to footboard (#2) by using screws (#K).



6

- Part #12 x2pcs

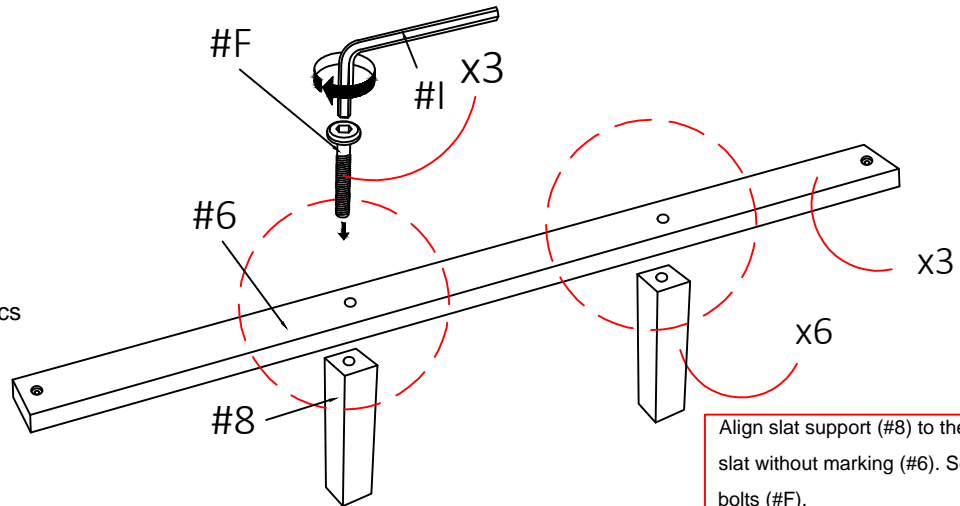
Unscrew knobs to the inside, then secure knobs to the outside of the drawers (#12).



ASSEMBLY INSTRUCTIONS

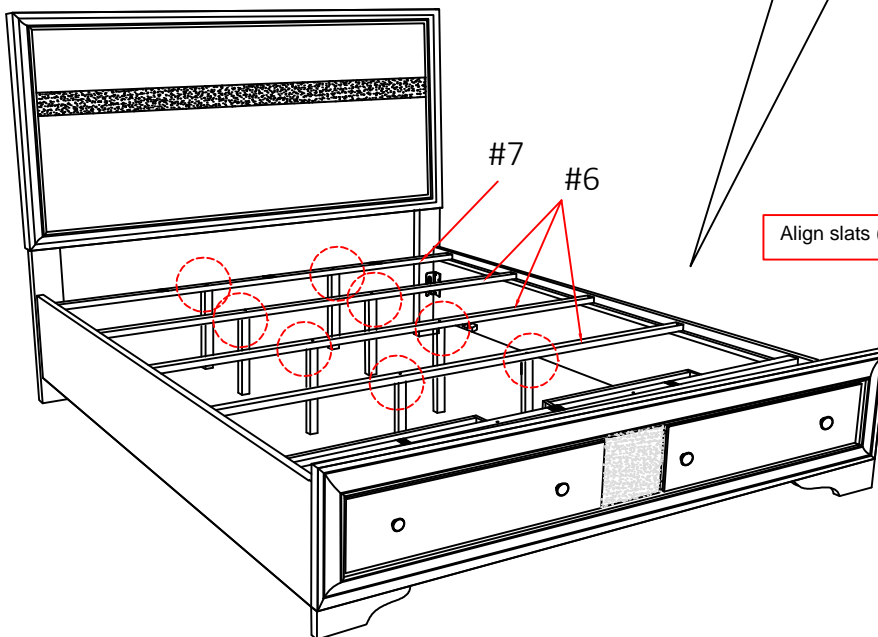
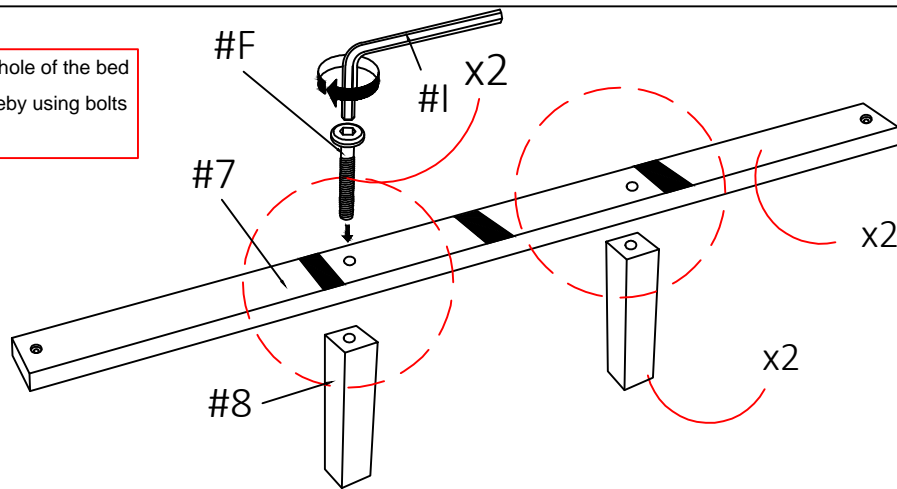
7

- Part #6 x3pcs
- Part #7 x2pcs
- Hardware #F x2pcs



Align slat support (#8) to the hole of the bed slat without marking (#6). Secure by using bolts (#F).

Align slat support (#8) to the hole of the bed slat with marking (#7). Secure by using bolts (#F).

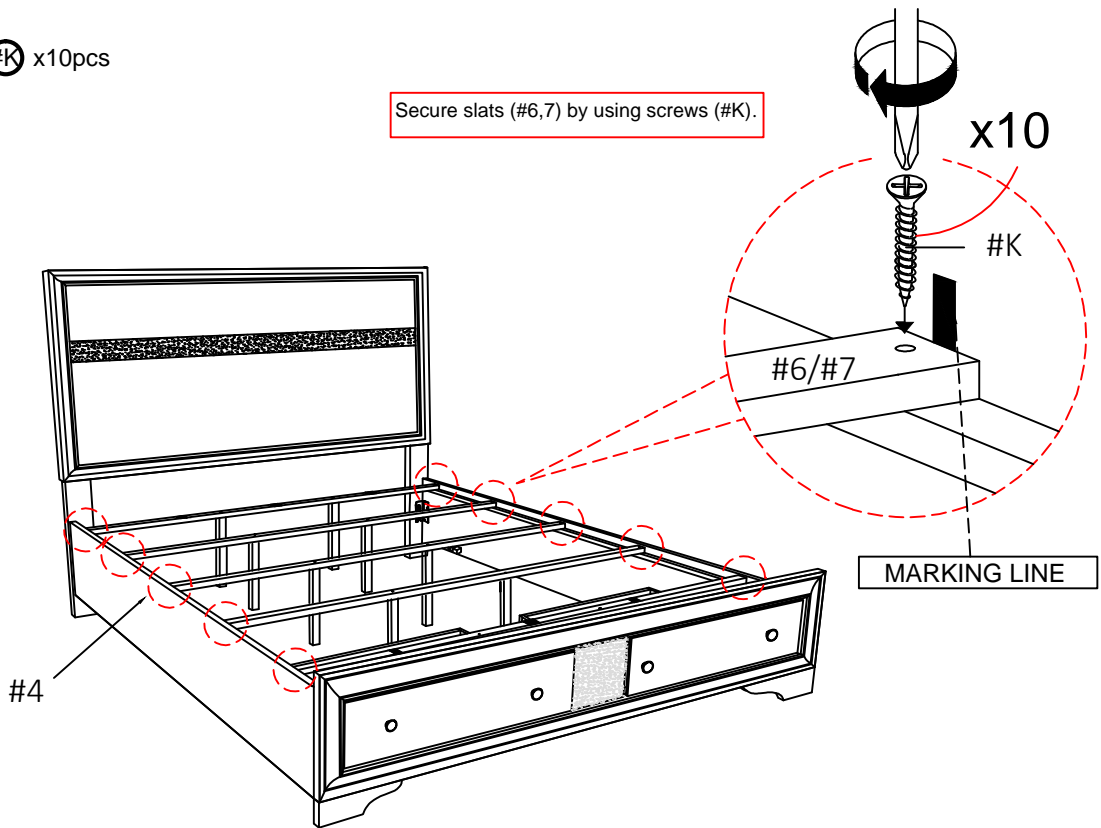


Align slats (#6,7) to the side rails (#4).

ASSEMBLY INSTRUCTIONS

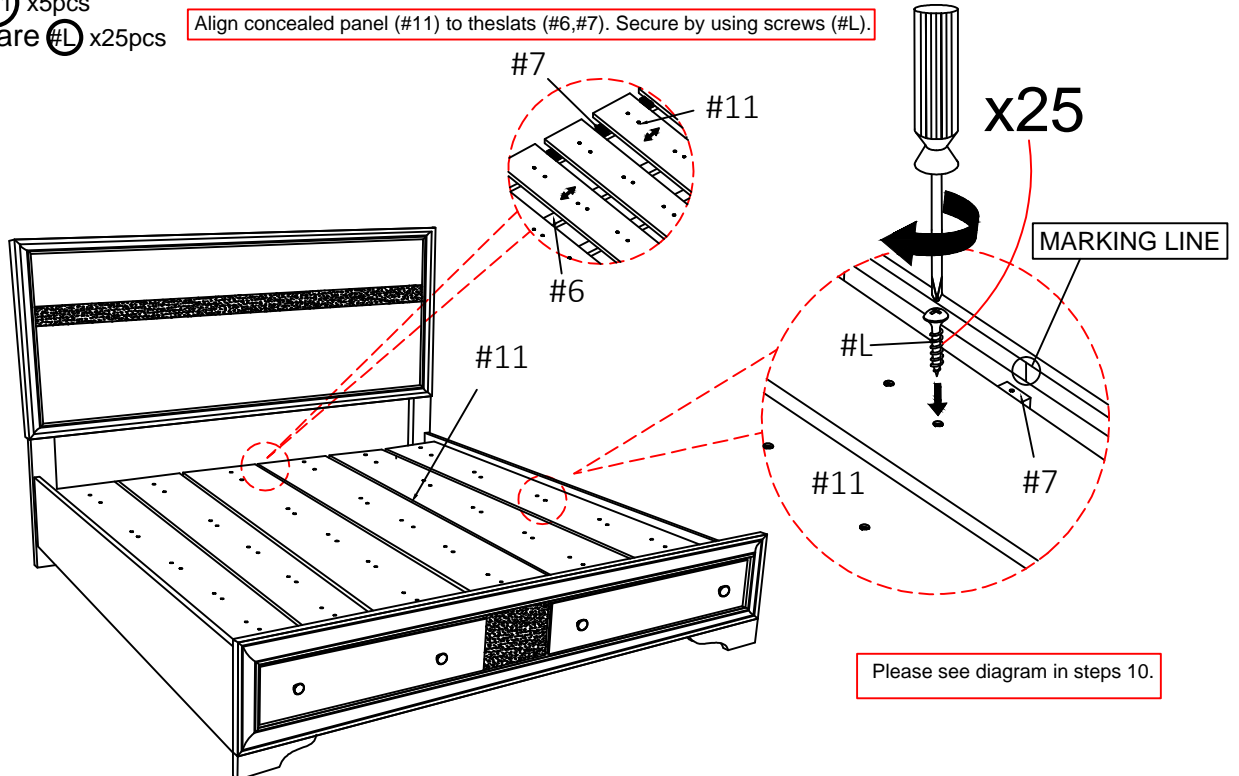
8

Hardware **#K** x10pcs



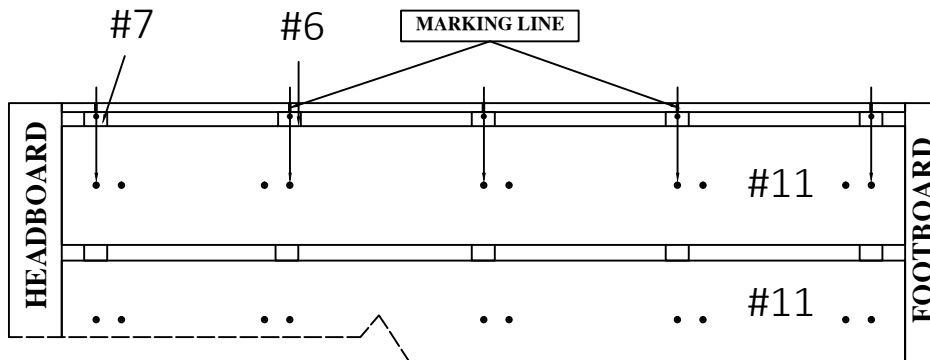
9

Part **#11** x5pcs
Hardware **#L** x25pcs

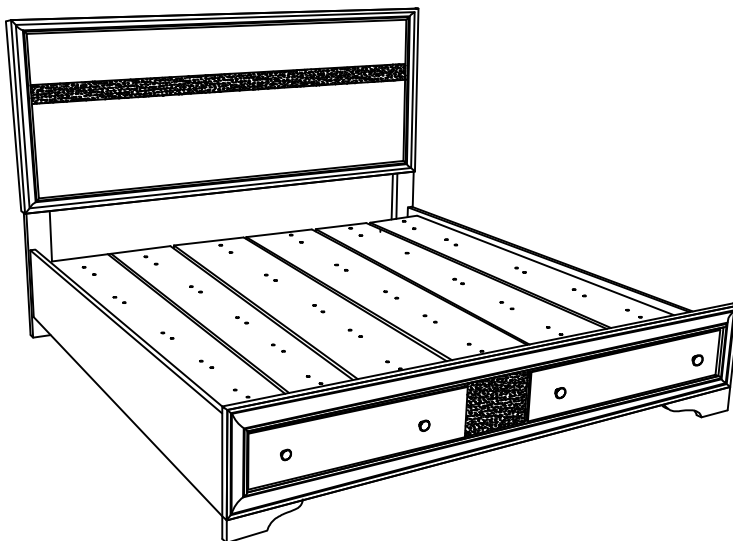


ASSEMBLY INSTRUCTIONS

10



11



ASSEMBLY COMPLETED



Please ensure the furniture rests on an even and flat surface. If the product wobbles or feels loose, double-check all bolts and/or screws are properly tightened and secured.



Keep this handy!

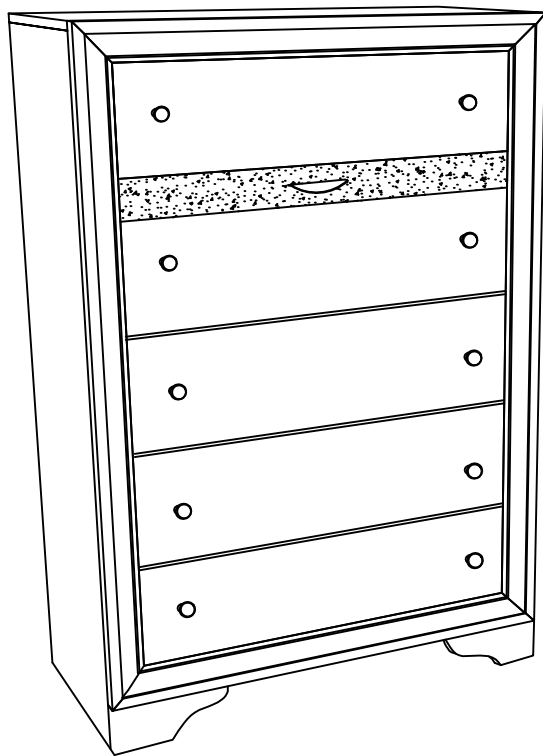
Please retain this instruction manual and any order-related information for future reference.



Lift, don't drag!

To avoid damage to product please always LIFT the product when transporting or adjusting the placement.

ASSEMBLY INSTRUCTIONS

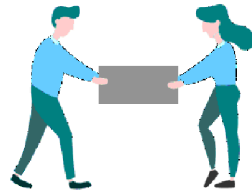


TOOLS REQUIRED



Phillips
Screwdriver

(Not Included)



2 – Persons
Recommended

ASSEMBLY RATING



EASY ————— DIFFICULT

The Assembly Rating is a 5-point system showing the level of effort needed to assemble a specific product.



CHECK BEFORE STARTING

Are you missing anything?

Double-check all parts, hardware and accessories listed on Page 6 are accounted for.

Check out our Quick Tips!

We recommend reviewing the pre-assembly handouts. Even experts need a refresher now and then!

Should we send any replacements?

Are there any irregularities or flaws in the parts? We can send replacements!

Prep Time!

Please review the assembly instructions and all diagrams prior to assembling. Set up your workspace by laying the parts and hardware out separately, then begin!

PRE ASSEMBLY INTRODUCTION

We understand building ready-to-assemble furniture can be a challenging experience for some. To help avoid confusion, we have provided some helpful tips that may speed up the process.



Teamwork

ALWAYS have at least two people to help with transporting and assembling the product to avoid potential injury and/or damage.



Suitable Location

Assembling near the area of the intended location is highly recommended.



Sufficient Space

Make sure you have enough space to move around during the assembly.



Avoid Scratches

Use cardboard, blankets or a carpeted area while assembling furniture to prevent scratches.



Flat Surface

Make sure the furniture rests on a flat and level surface with each leg evenly touching the floor.

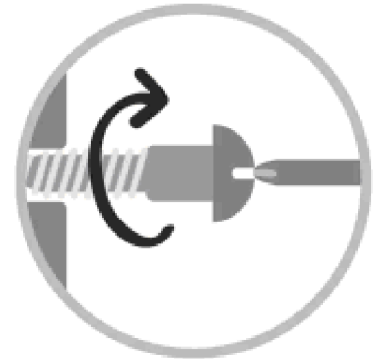
ASSEMBLY AND CARE ADVICE



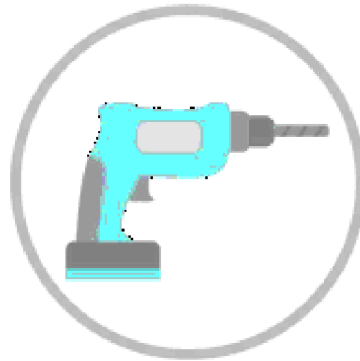
FAILURE TO FOLLOW THE GUIDELINES BELOW MAY RESULT IN INJURY AND/OR PROPERTY DAMAGE.



Position each part correctly and insert screws or bolts into their respective holes.



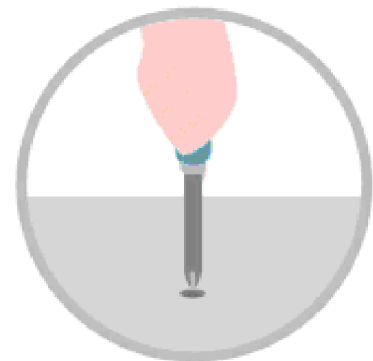
Turn clockwise to tighten and only tighten when step is completed or when instructed to do so.



Use the appropriate hand tools or power tools for assembly. Select steps, such as tightening screws and/or bolts, may require hand tools to avoid causing damage during assembly.



Save the instructions and store any supplied tools for later maintenance.



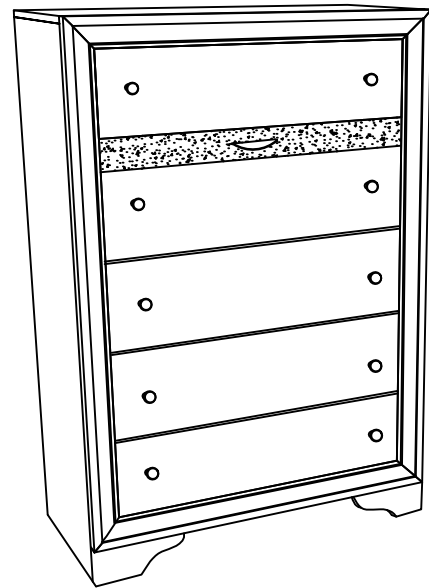
After two weeks, check and tighten any loose hardware and repeat again every six months thereafter.

IT IS THE USER'S RESPONSIBILITY TO MAINTAIN THE FURNITURE. THE HARDWARE MAY LOOSEN OVER TIME AND MAY CAUSE THE FURNITURE TO BE WOBBLY AND UNABLE TO SUPPORT ITS INTENDED WEIGHT CAPACITY. THIS MAY LEAD TO COLLAPSE AND MAY CAUSE SERIOUS INJURY.

Chest



- Please keep instructions for future reference.
- Check the quantity and irregularity of parts and hardware before you start.



PARTS

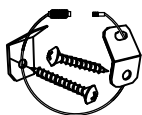
① 1pc



Chest

HARDWARE

Ⓐ 1 set



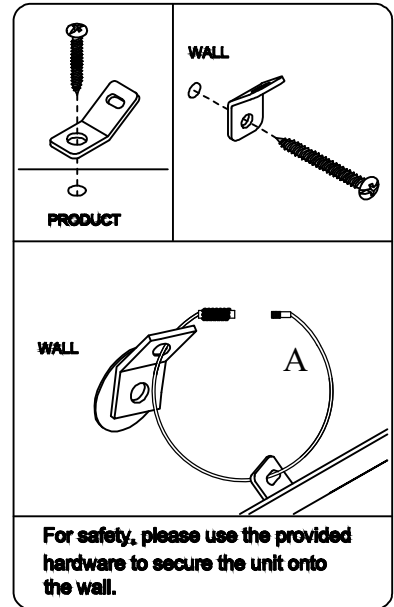
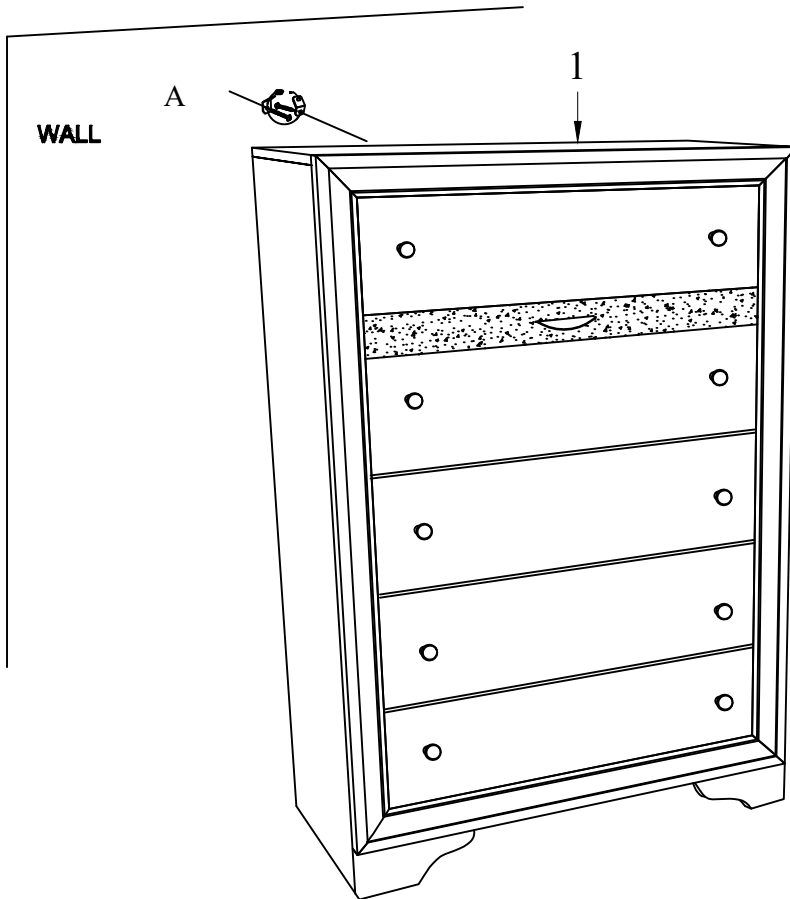
Anti-Tip Kit

ASSEMBLY INSTRUCTIONS

1

Part ① x 1pc

Hardware ② x 1Set



ASSEMBLY COMPLETED

Please ensure the furniture rests on an even and flat surface. If the product wobbles or feels loose, double-check all bolts and/or screws are properly tightened and secured.

- ✓ **Keep this handy!**
Please retain this instruction manual and any order-related information for future reference.
- ✓ **Lift, don't drag!**
To avoid damage to product please always LIFT the product when transporting or adjusting the placement.

ASSEMBLY INSTRUCTIONS

Wall Mounting and Fixing



EXPANSION WALL ANCHOR

Our provided expansion wall anchors are only suitable for masonry walls, such as drywall, plaster or concrete, and are best for holding lightweight items or for anti-tip prevention. If you are unsure of the correct wall anchor to use with the product, please request professional guidance. Liability for product damage or failure due to using the incorrect anchors will fall on the installer.



CHECK BEFORE PROCEEDING

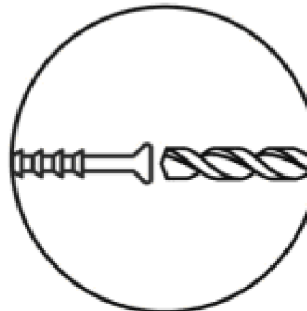
Prior to drilling or hammering, please check for wires or pipes. We recommend using a stud finder to locate a stud, which will offer more appropriate resistance and hold more weight.

QUICK TIPS

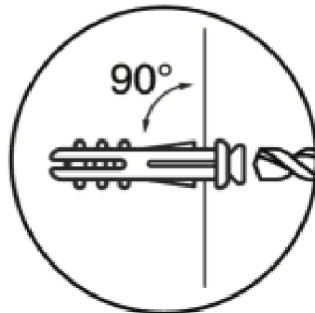
1. If unsure of the proper size, always choose a larger screw and wall anchor.



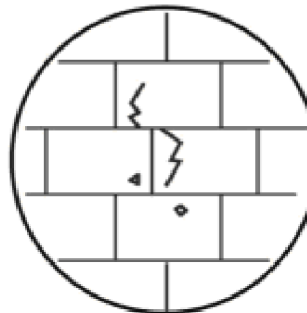
2. Match the drill bit to the wall anchor and hole size.



3. Only drill horizontally. Do not force the drill or enlarge the hole for the wall anchor.



4. Take extra care when drilling into high walls or ceramic tiles. Wall anchors should be a tight fit for the hole. Never use wall anchors in ceilings.



MAINTENANCE



We recommend a yearly check to see if the wall anchor or screw has loosened. If so, please remove the existing wall anchor and screw, and use a new anchor.