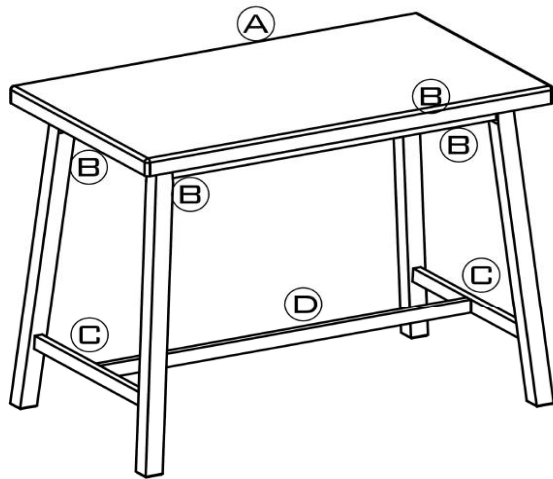


CHAIR & TABLE COMPANY

ASSEMBLY INSTRUCTIONS



PARTS CHECK LIST

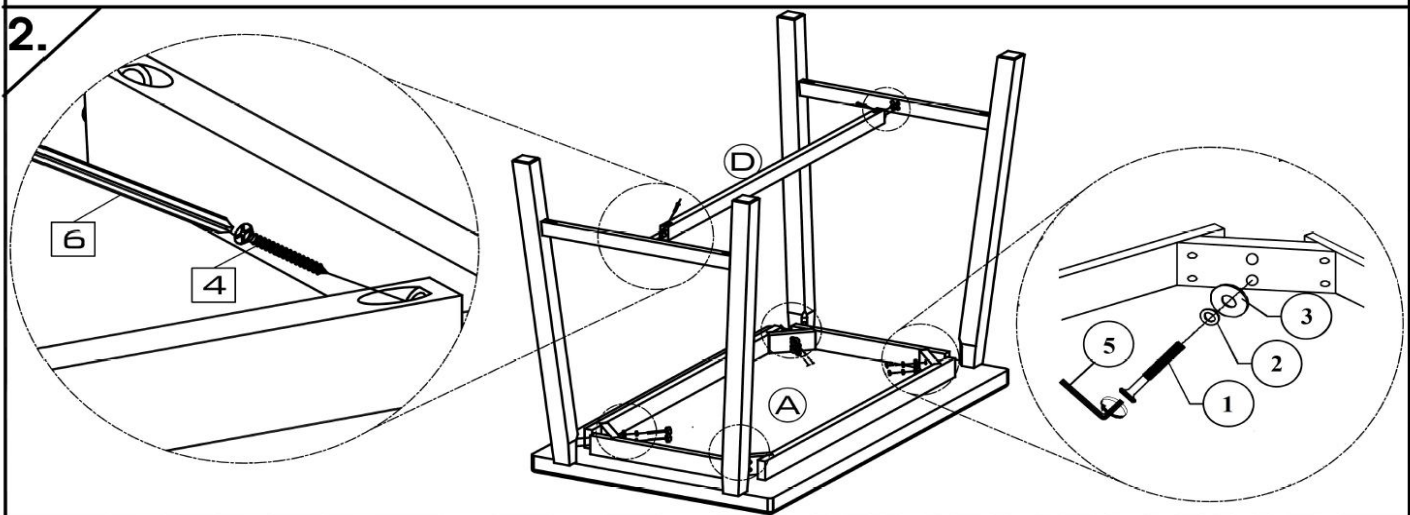
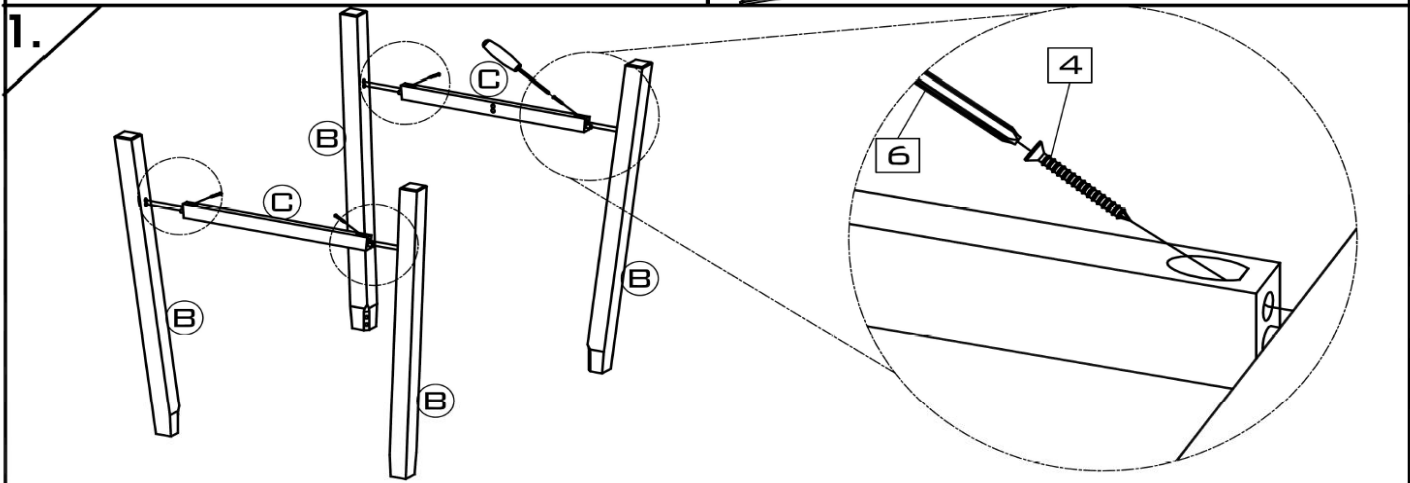
| CODE | COMPONENTS | Q ^{TY} |
|------|-----------------|-----------------|
| (A) | TABLE TOP | x1 |
| (B) | LEG (LH & RH) | x4 |
| (C) | SHORT STRETCHER | x2 |
| (D) | LONG STRETCHER | x1 |

FITTINGS CHECK LIST

| CODE | DESCRIPTION | Q ^{TY} |
|------|-------------|-----------------|
| 1 | | x08 |
| 2 | | x08 |
| 3 | | x08 |
| 4 | | x06 |
| 5 | | x01 |

TOOL WILL YOU NEED (Not supplied)

| | | |
|--|-----------------------|-----|
| | Crosshead screwdriver | x01 |
|--|-----------------------|-----|



Thank you for your purchase .Our items are intended for residential use only .
 To clean and maintain your furniture we recommend dry dust with a soft clean cloth.
 Do not use harsh chemicals to clean your furniture as this could damage the protective top coat and /or finish.