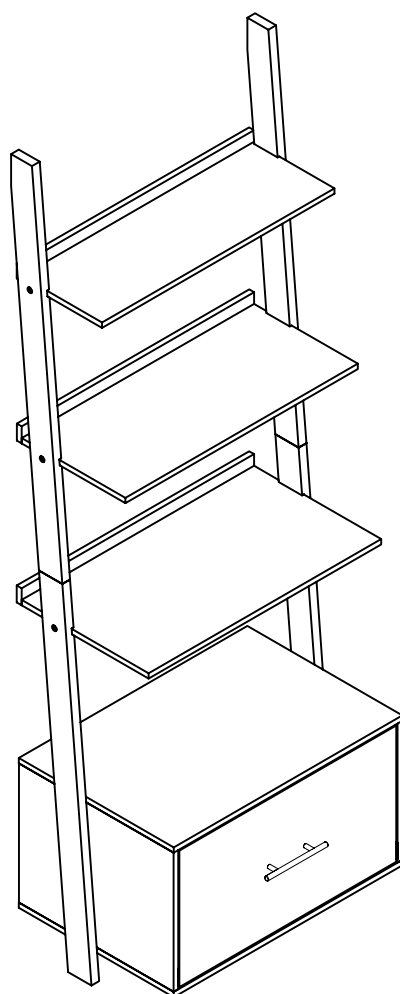

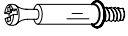













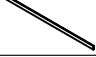




BOOKSHELF LADDER



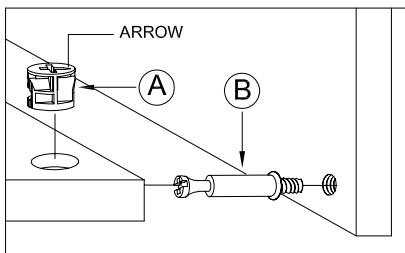
HARDWARE LIST

CODE	NAME	FIGURE	Q'TY
A	CAM LOCK (Ø15*9mm)		14PCS
B	CAM BOLT (Ø6.5*35mm)		14PCS
C	WOOD DOWEL (Ø6*25mm)		36PCS
D	ALLEN BOLT (Ø6*25mm)		4PCS
E	WASHER		4PCS
F	SPRING WASHER		4PCS
G	KNOB		1PC
H	KNOB BOLT (Ø5/32"*19mm)		2PCS
I	WOOD SCREW (Ø7*25mm)		12PCS
J	COLOR STICK		1PC

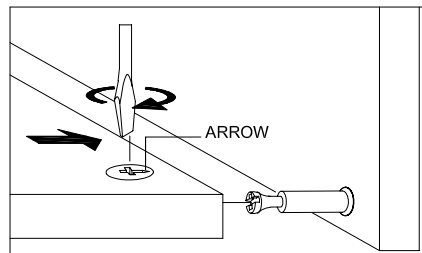
HARDWARE LIST

CODE	NAME	FIGURE	Q'TY
K	ALLEN WRENCH		1PC
L	FLAT HEAD SCREW(2")		2PCS
M	PHILLIPS HEAD (Ø3/16"*50mm)		6PCS
N	BARREL NUT		6PCS
O	METAL BAR		2PCS
P	WALL SCREW (Ø7*1-1/4")		2PCS
Q	WALL PLUGS		2PCS
R	SCREWS(1/2")		2PCS
S	METAL BRACKET		2PCS

HOW TO USE THE CAMLOCK SYSTEM



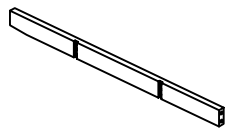
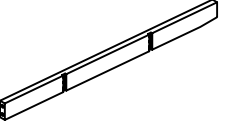
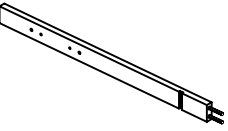
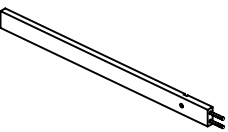
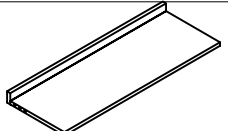
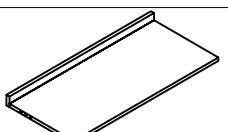
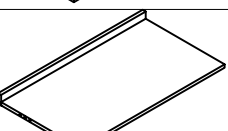
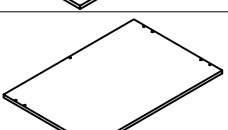
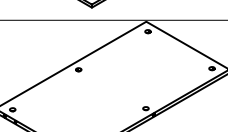
INSERT HARDWARE



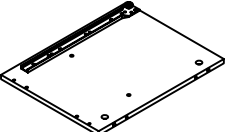
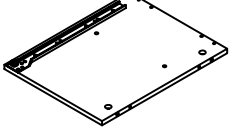
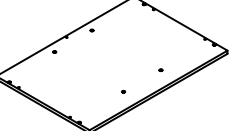
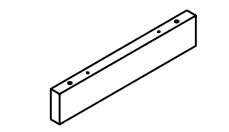
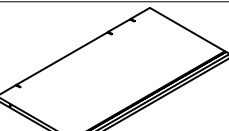
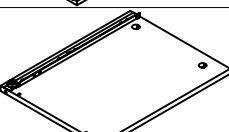
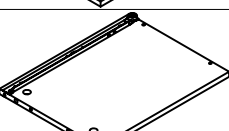
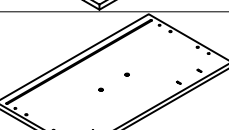
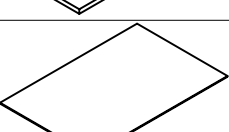
CONNECT PANELS AND GENTLY
TIGHTEN CAMLOCKS

- NOTE: THE ARROWS ON THE HIDDEN CAM-LOCKS SHOULD POINT TO THE CAM-BOLTS.

PARTS LIST

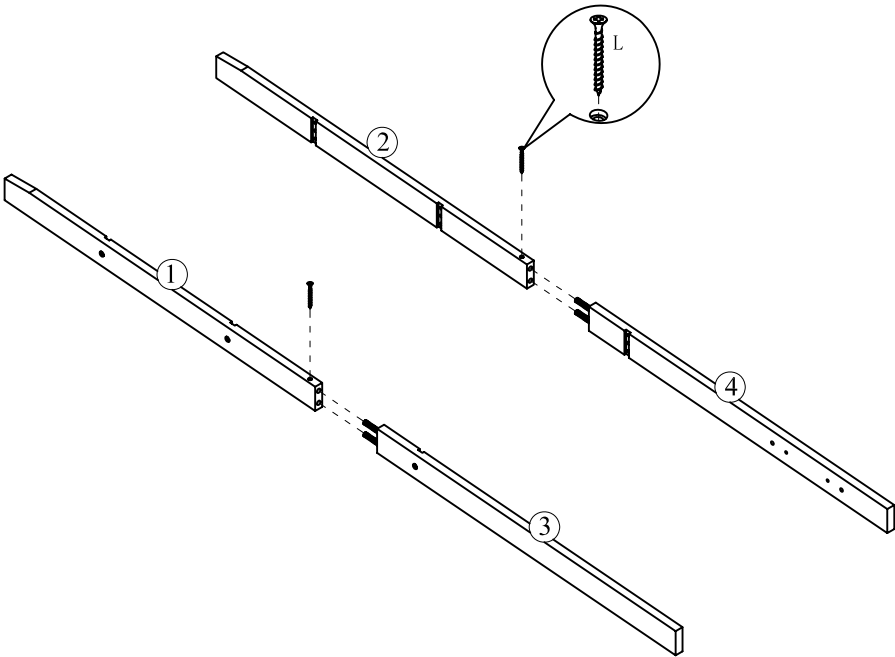
CODE	NAME	FIGURE	Q'TY
①	RIGHT SIDE UPPER LEG		1PC
②	LEFT SIDE UPPER LEG		1PC
③	RIGHT SIDE LOWER LEG		1PC
④	LEFT SIDE LOWER LEG		1PC
⑤	SHELF A		1PC
⑥	SHELF B		1PC
⑦	SHELF C		1PC
⑧	BOX TOP PANEL		1PC
⑨	BOX BACK PANEL		1PC

PARTS LIST

CODE	NAME	FIGURE	Q'TY
⑩	BOX LEFT SIDE PANEL		1PC
⑪	BOX RIGHT SIDE PANEL		1PC
⑫	BOX BOTTOM PANEL		1PC
⑬	BOX SUPPORT		2PCS
⑭	DRAWER BACK PANEL		1PC
⑮	DRAWER RIGHT SIDE PANEL		1PC
⑯	DRAWER LEFT SIDE PANEL		1PC
⑰	DRAWER FRONT PANEL		1PC
⑱	DRAWER BOTTOM PANEL		1PC

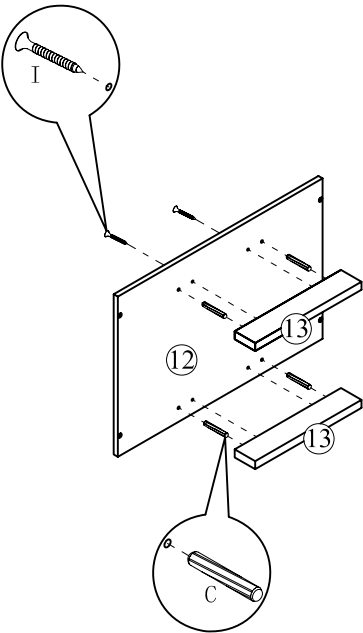
STEP 1

L x 2PCS



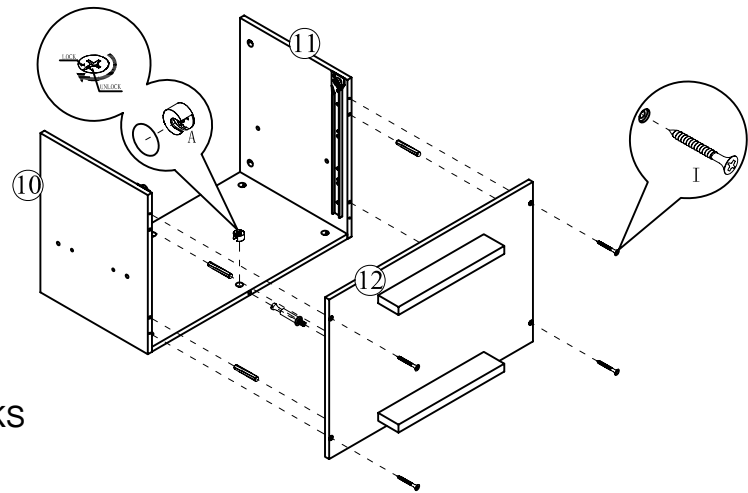
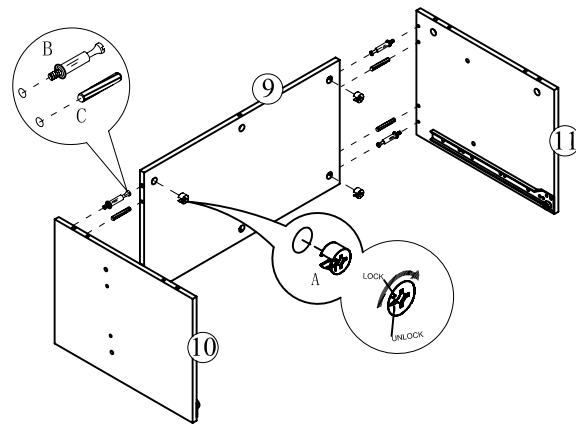
STEP 2

C x 4PCS
I x 4PCS



STEP 3

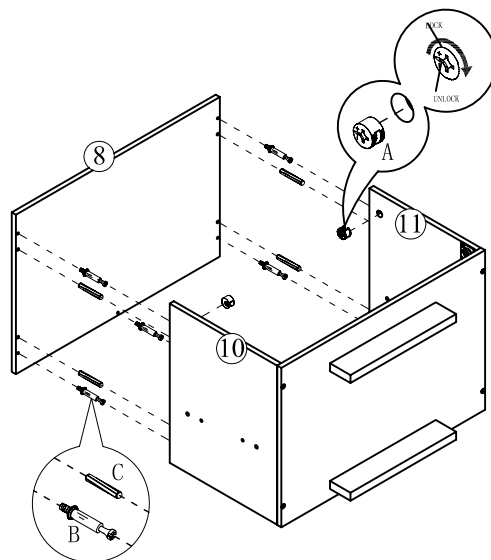
A x 5PCS
B x 5PCS
C x 8PCS
I x 4PCS



* DO NOT OVERTIGHTEN CAMLOCKS

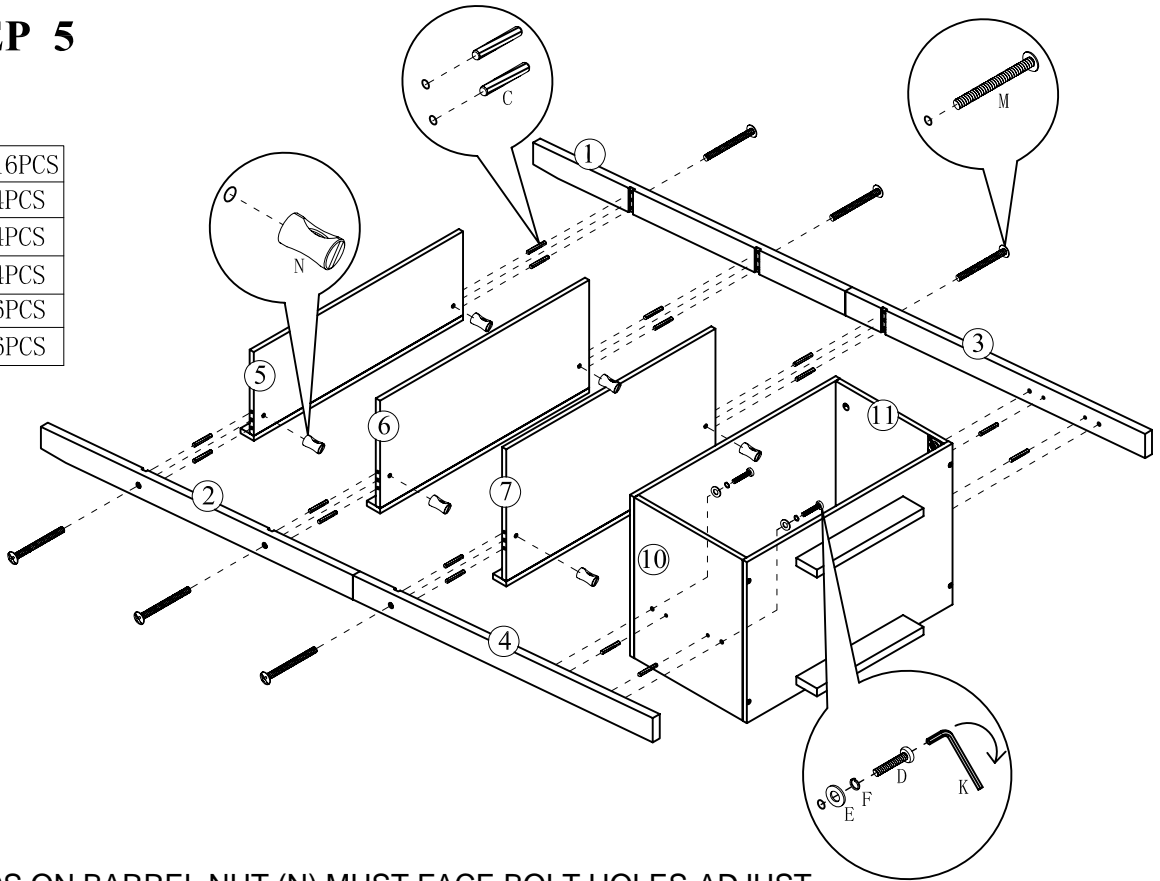
STEP 4

A x 5PCS
B x 5PCS
C x 4PCS



STEP 5

C	x	16PCS
D	x	4PCS
E	x	4PCS
F	x	4PCS
M	x	6PCS
N	x	6PCS

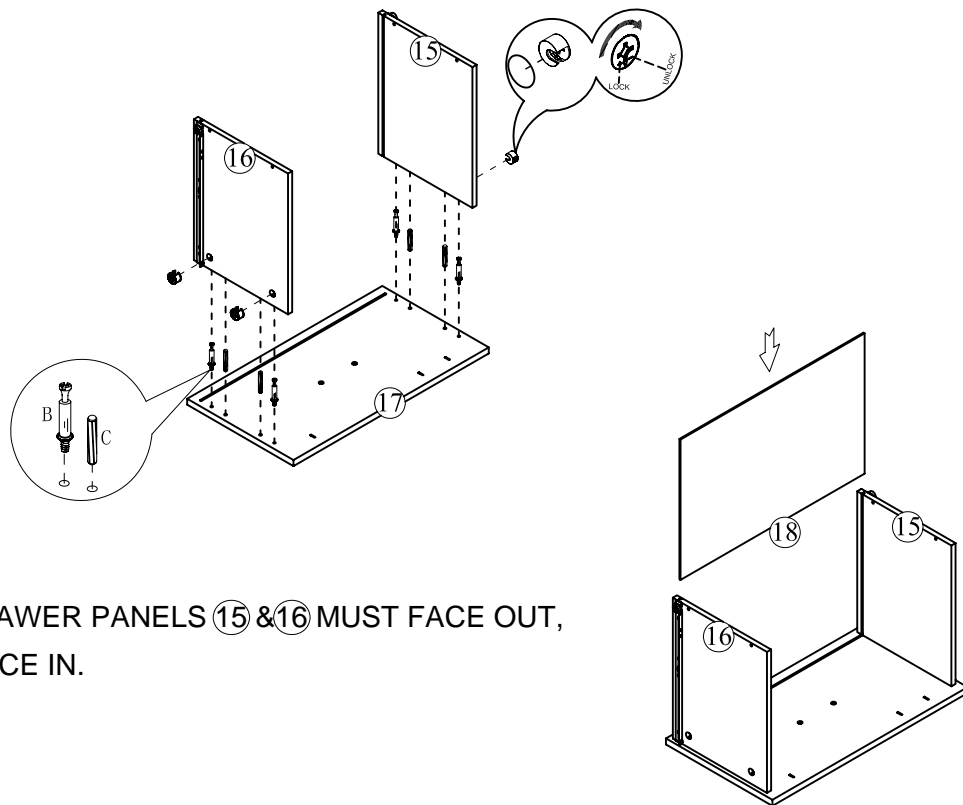


*** NOTE**

THREADS ON BARREL NUT (N) MUST FACE BOLT HOLES-ADJUST AS NECESSARY WITH SCREWDRIVER.

STEP 6

A	x	4PCS
B	x	4PCS
C	x	4PCS



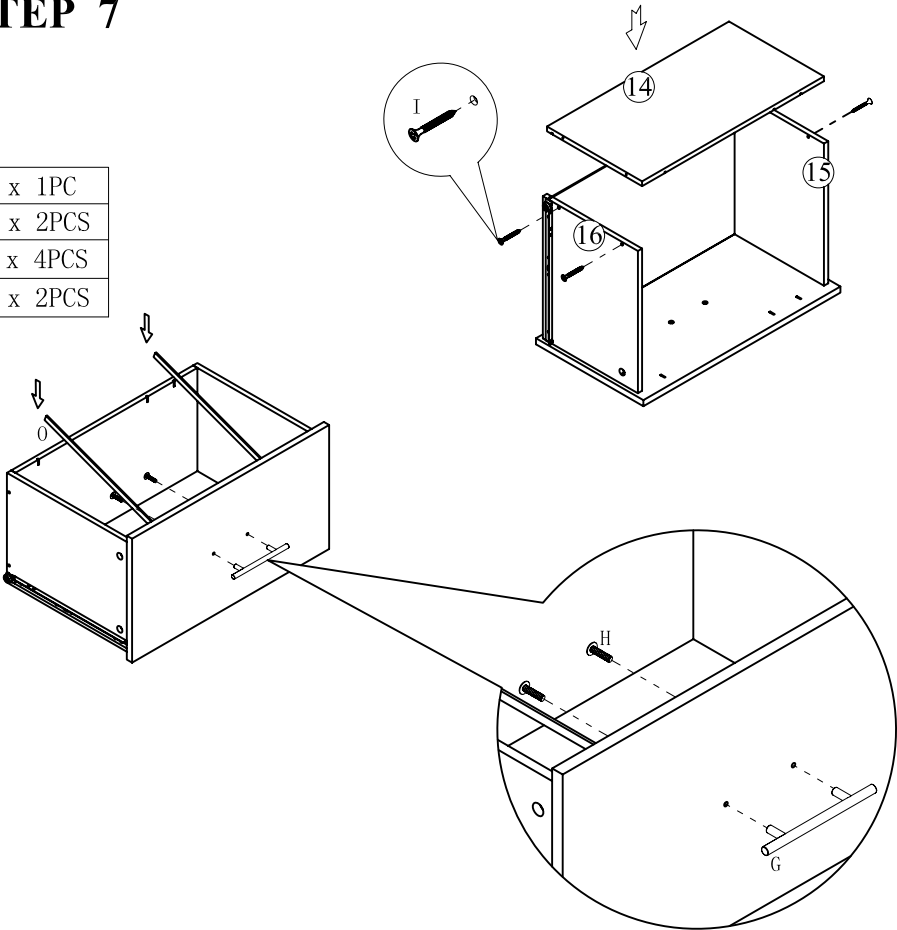
*** NOTE**

RAILS ON DRAWER PANELS (15) & (16) MUST FACE OUT, GROOVES FACE IN.

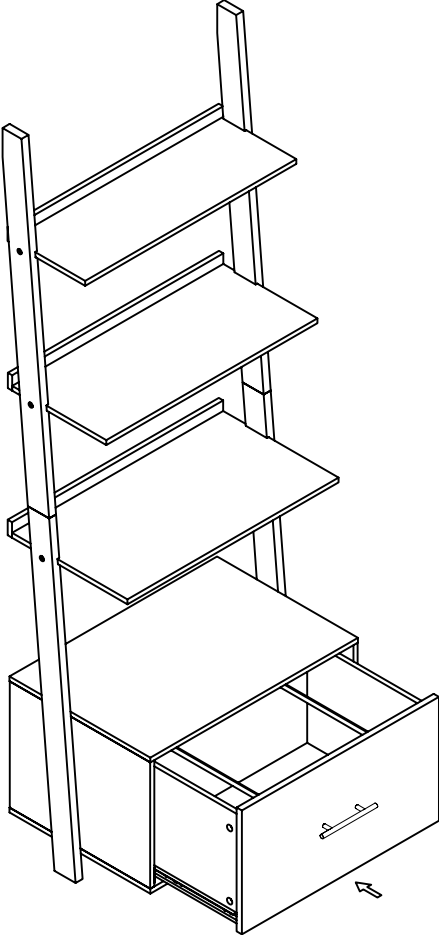
*** BOTTOM PANEL SLIDES INTO GROOVES.**

STEP 7

G x 1PC
H x 2PCS
I x 4PCS
O x 2PCS

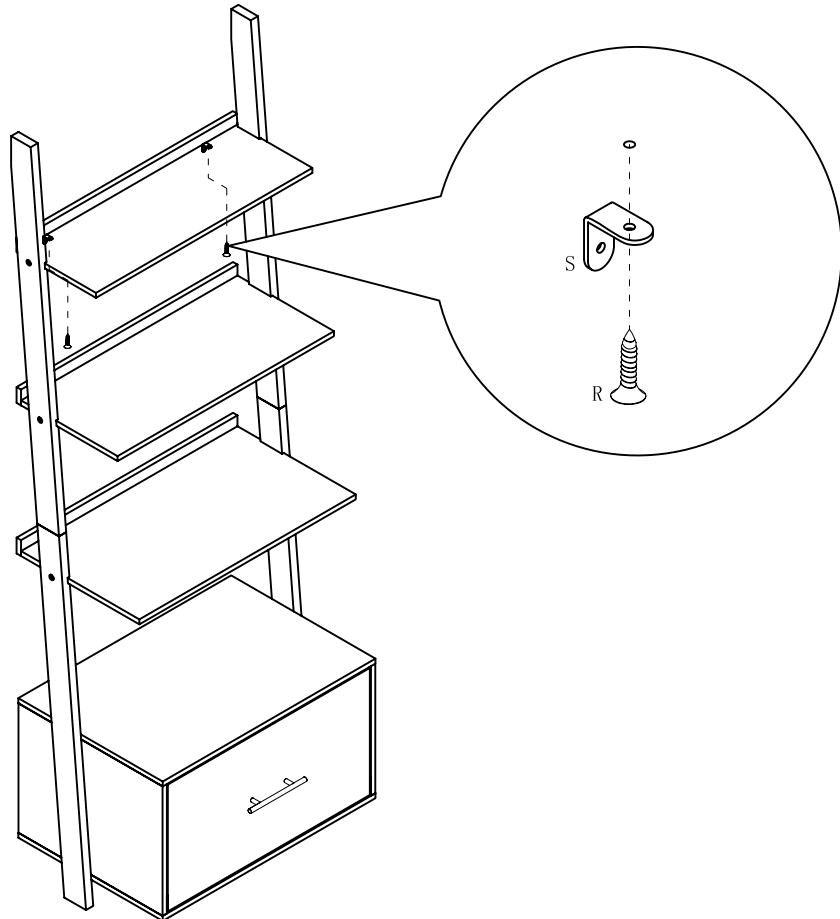


STEP 8



STEP 9

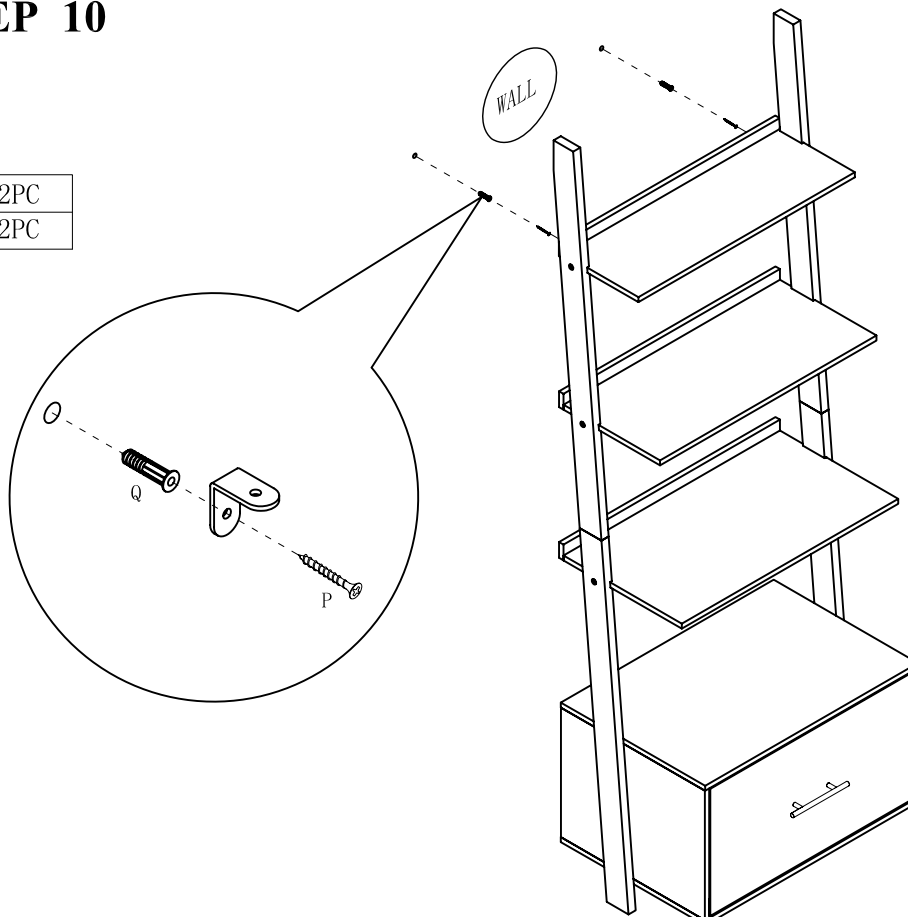
R x 2PC
S x 2PC



- 1.FASTEN WALL BRACKETS (S) USING SCREWS (R).
- 2.PLACE UNIT AGAINST WALL AND MARK BRACKET HOLES.

STEP 10

P x 2PC
Q x 2PC



- 1.DRILL HOLE SLIGHTLY SMALLER THAN ANCHOR (Q) INTO MARKED LOCATION.
- 2.TAP ANCHOR INTO WALL.
- 3.SECURE UNIT TO WALL ANCHORS USING SCREWS (P).