



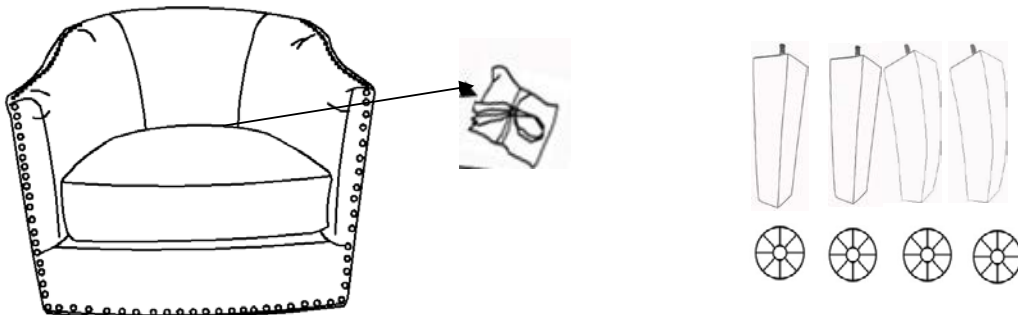


# ASSEMBLY INSTRUCTION

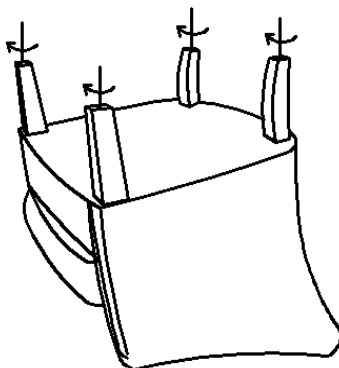
## Accent chair

Parts#	Parts Name	Drawing	Qty
A	Front Feet		2
B	Back Feet		2
C	Chair & Cushion		1
D	Plastic washer		4

Step 1. Remove the cushion and take out the legs under the seat.



Step 2: Turn the chair upside down and lay on protective carpet. Screw in the front feet (A) and back feet (B) using Plastic Washer (D) for each. In tightly turning clockwise.



Step 3: Turn the chair over and place it upright on a level surface.

