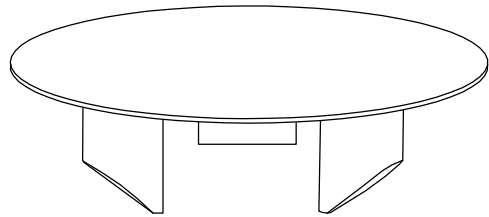
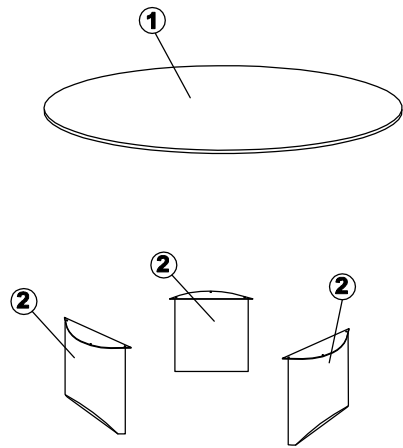


ASSEMBLY INSTRUCTIONS



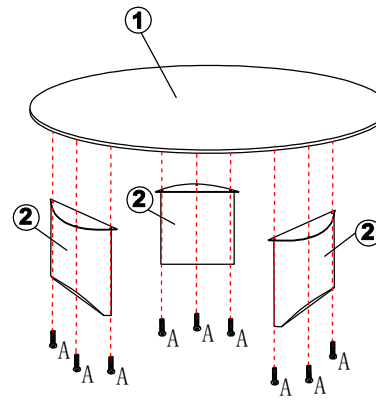
PART LIST



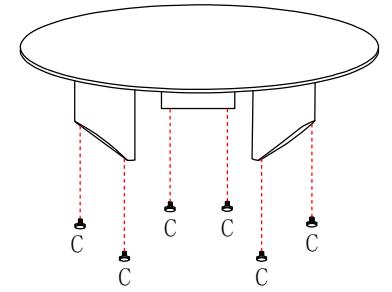
A	X9
B	X1
C	X6

1-2

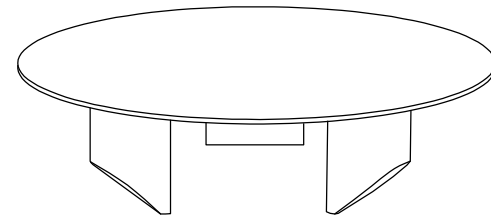
STEP 1



STEP 2



STEP 3



2-2