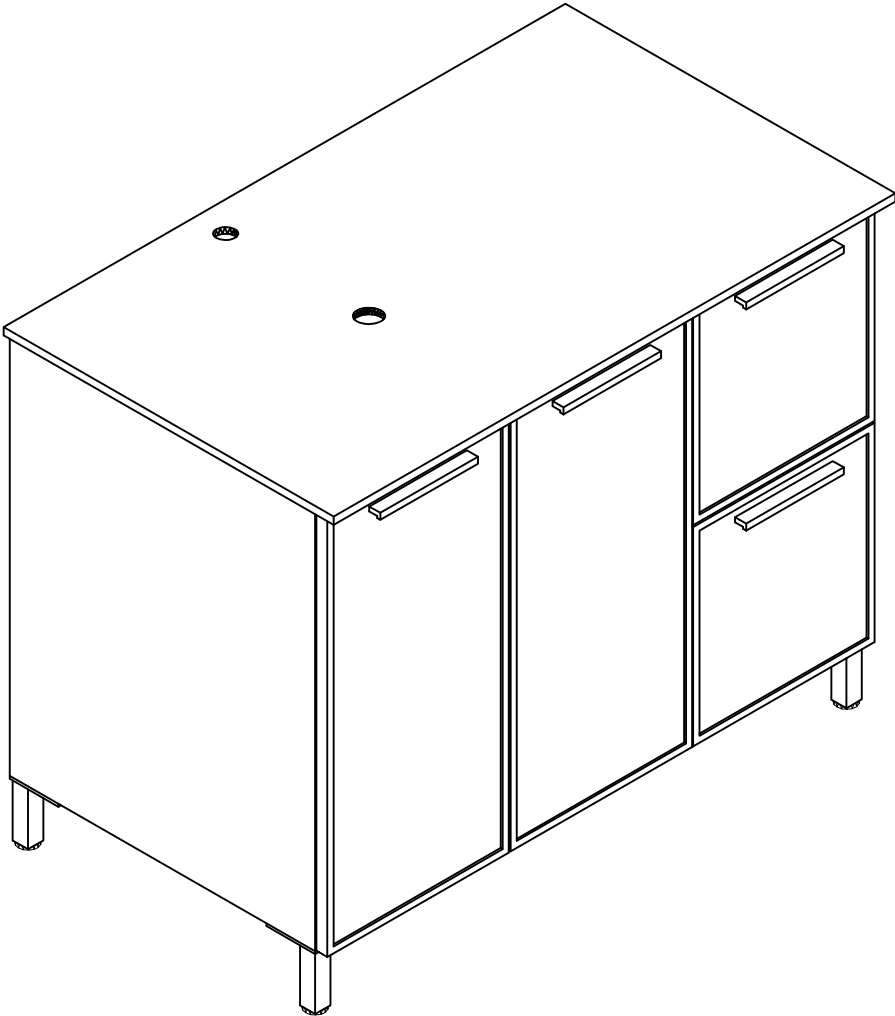
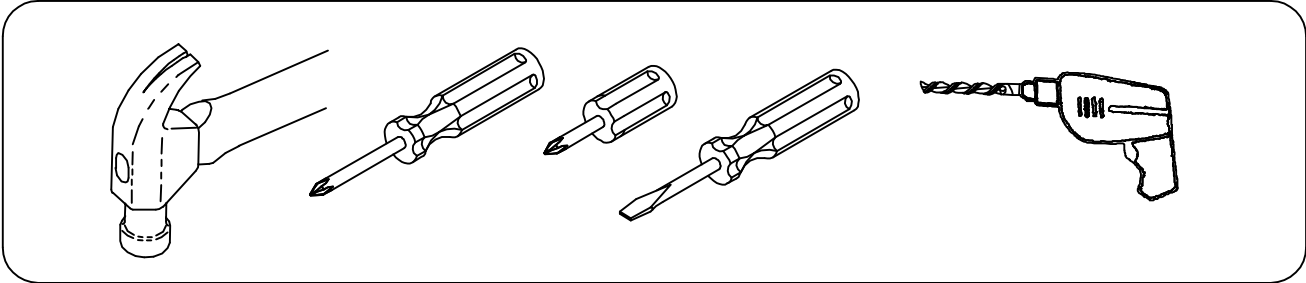


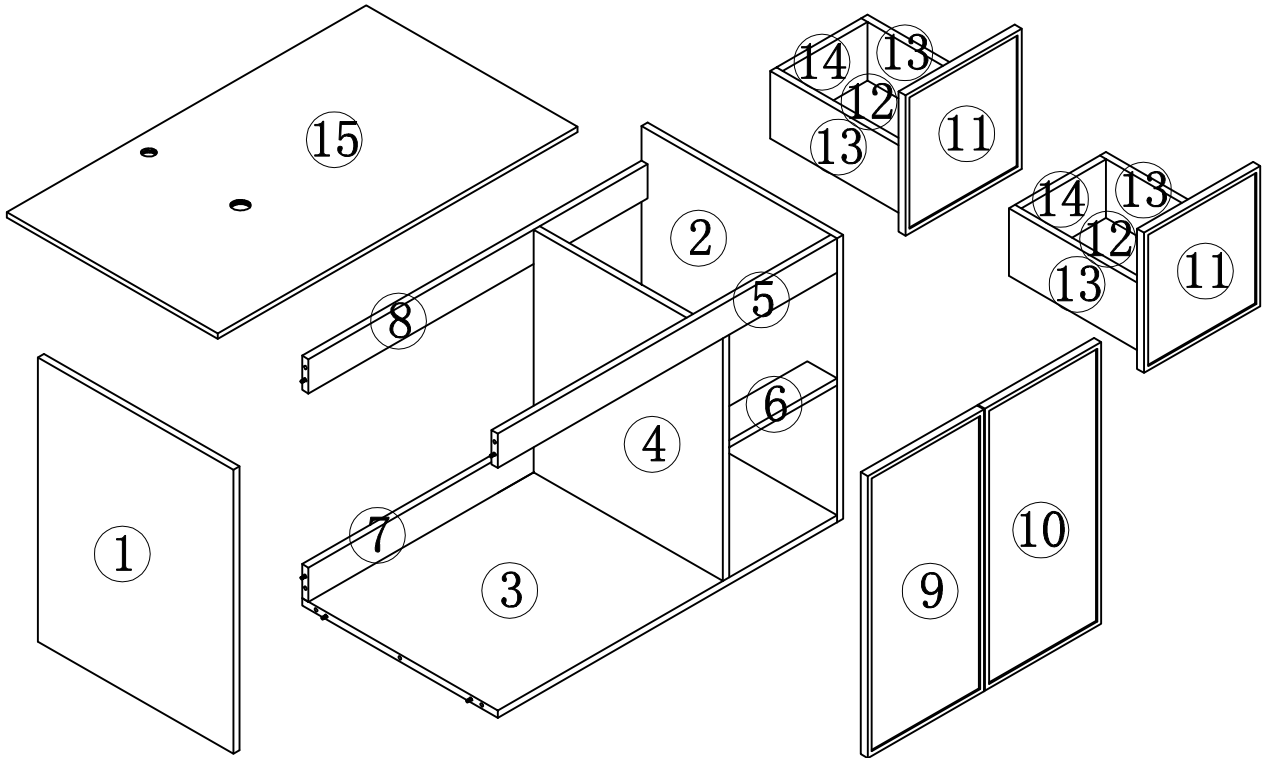
DIMENSIONS

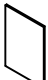

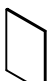

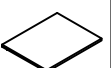
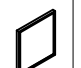
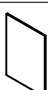
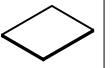

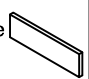

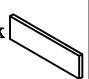

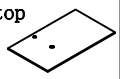
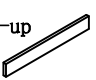







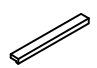





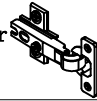
YOU MAY NEED (NOT SUPPLY)





ASSEMBLY DIAGRAM



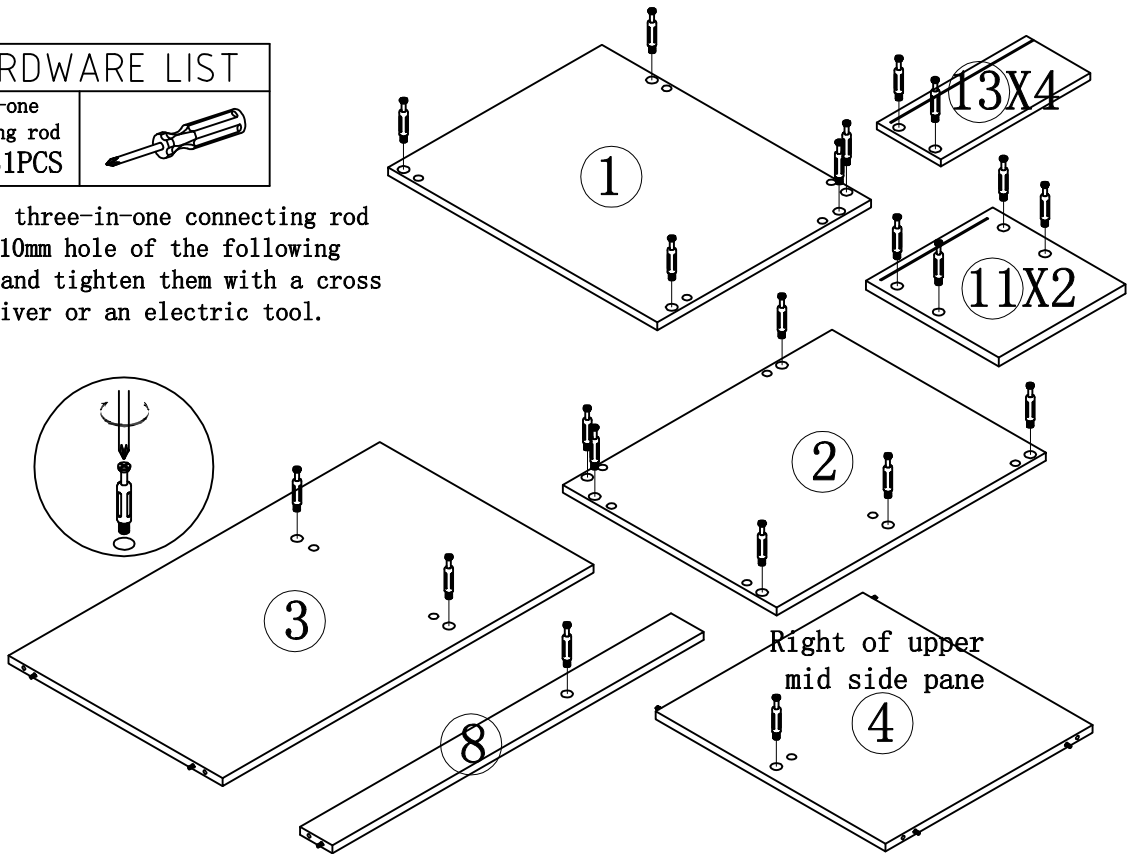
PARTS LIST					
PARTS LIST					
NO	DESCRIPTION	QTY	NO	DESCRIPTION	QTY
①	Left side panel 	1	⑨	Left door panel 	1
②	Right side panel 	1	⑩	Right door panel 	1
③	Bottom panel 	1	⑪	drawer panel 	2
④	middle side panel 	1	⑫	drawer bottom 	2
⑤	front pull-up 	1	⑬	drawer side panel 	4
⑥	Front right pull bar 	1	⑭	drawer back panel 	2
⑦	rear drop down 	1	⑮	Countertop Panel 	1
⑧	rear pull-up bar 	1			

PARTS LIST					
HARDWARE LIST					
NO	DESCRIPTION	QTY	NO	DESCRIPTION	QTY
A	Three-in-one eccentric wheel 	31	G	4*20mm screw 	8
B	Three-in-one connecting rod 	31	H	Door handle 	2
C	Three-in-one sticker 	31	I	Drawer handle 	2
D	8*40mm wood dowel pins 	15	J	Aluminum alloy feet 	4
E	Drawer slides 	4	K	Left door hinge 	2
F	4*16mm screw 	64	L	Right door hinge 	2
<p>CAUTION: Please confirm the parts list before installation</p>					

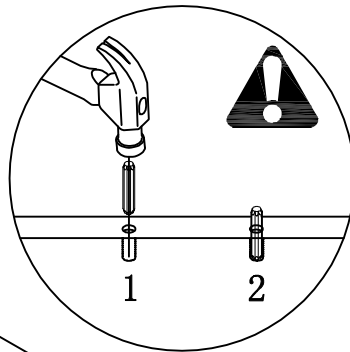
STEP 1

HARDWARE LIST	
Three-in-one connecting rod B  31PCS	

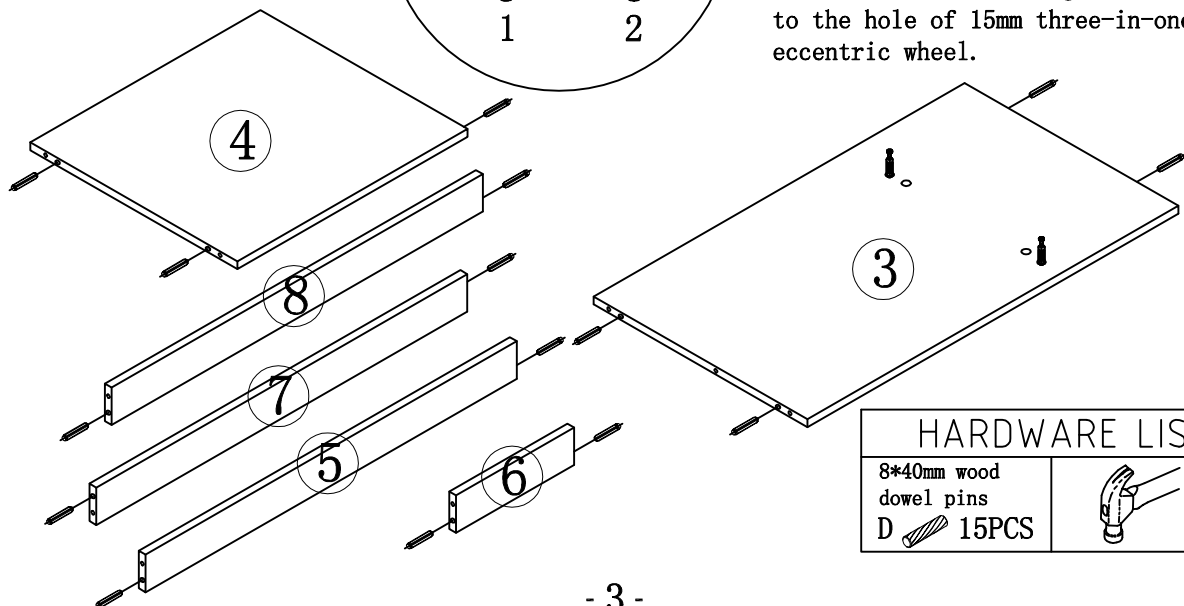
1. Put the three-in-one connecting rod in the 10mm hole of the following panels and tighten them with a cross screwdriver or an electric tool.





STEP 2

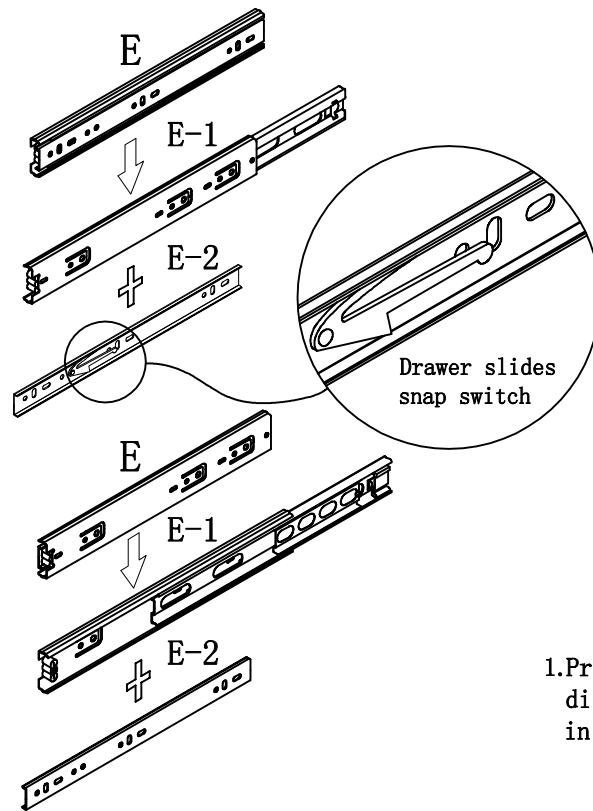


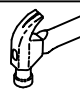

1. Strike the 8*40mm wood dowel pin into the 8mm hole of the above panels with an iron hammer. Please note that the hole of the wood dowel pins should also be 8mm. The hole of the three-in-one connecting rod connects to the hole of 15mm three-in-one eccentric wheel.



HARDWARE LIST	
8*40mm wood dowel pins D  15PCS	

STEP 3

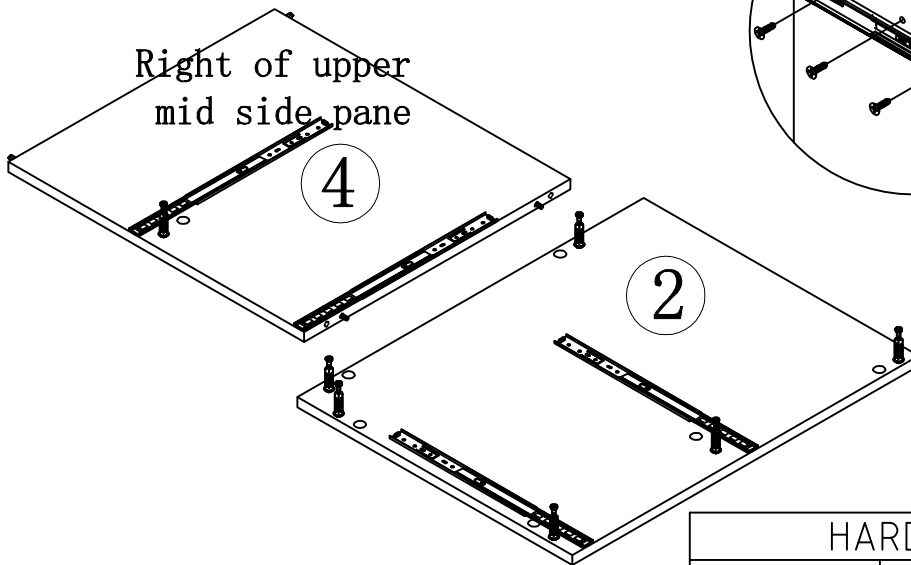





HARDWARE LIST	
Drawer slides	
E  4PCS	

1. Press the slide snap switch, disassemble slide blocks and put them in a place properly for further use.

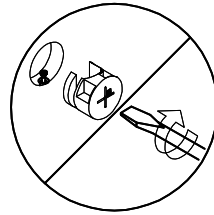
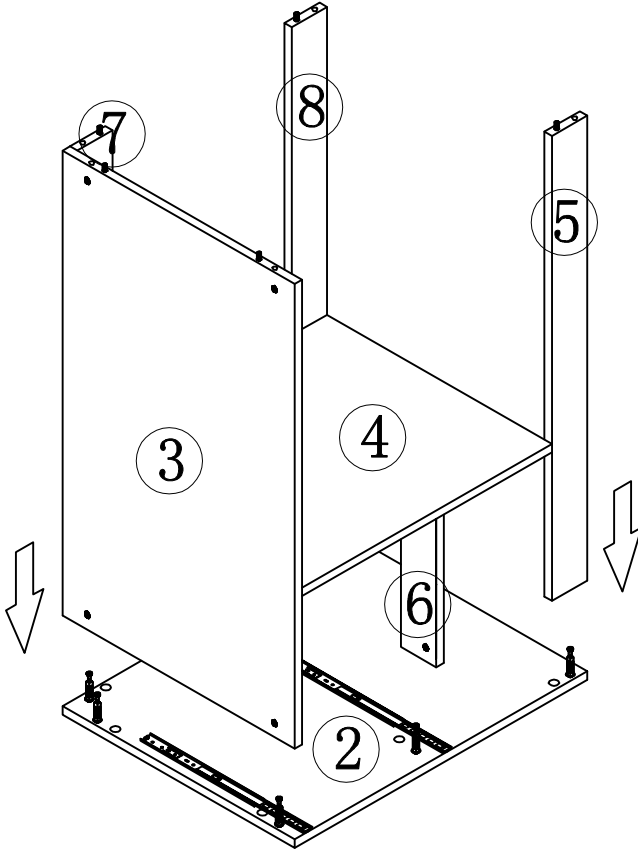
STEP 4

1. Fix the drawer slide to the side panel with 4*16mm screws.

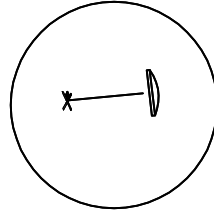


HARDWARE LIST		
4*16mm screw	Drawer slides	
F  12PCS	E-1  4PCS	




STEP 5



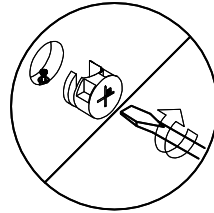
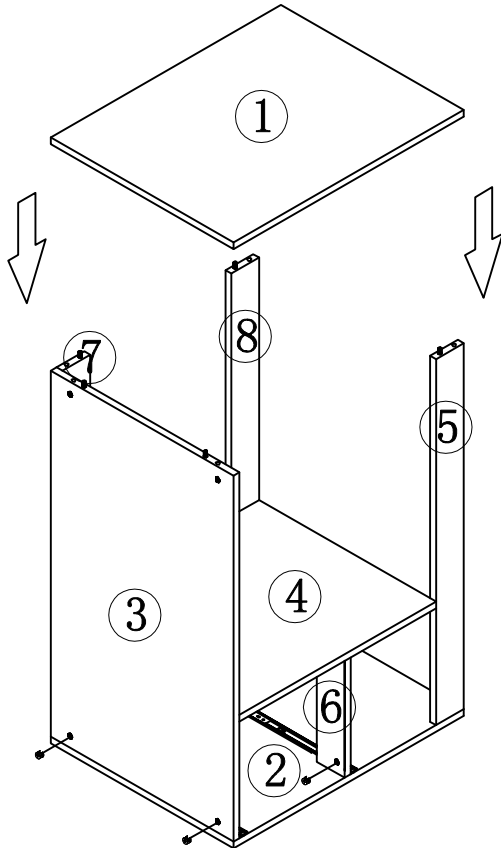
1. Connect No. 3-5-6-7-8 panel to No. 2 panel tightly with the three-in-one eccentric wheel.



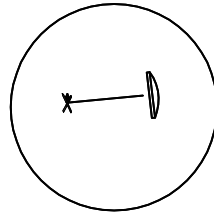
2. Cover the mounting hole of the eccentric wheel with a three-in-one sticker.

HARDWARE LIST		
Three-in-one eccentric wheel A  10PCS	Three-in-one sticker C  10PCS	


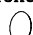

STEP 6



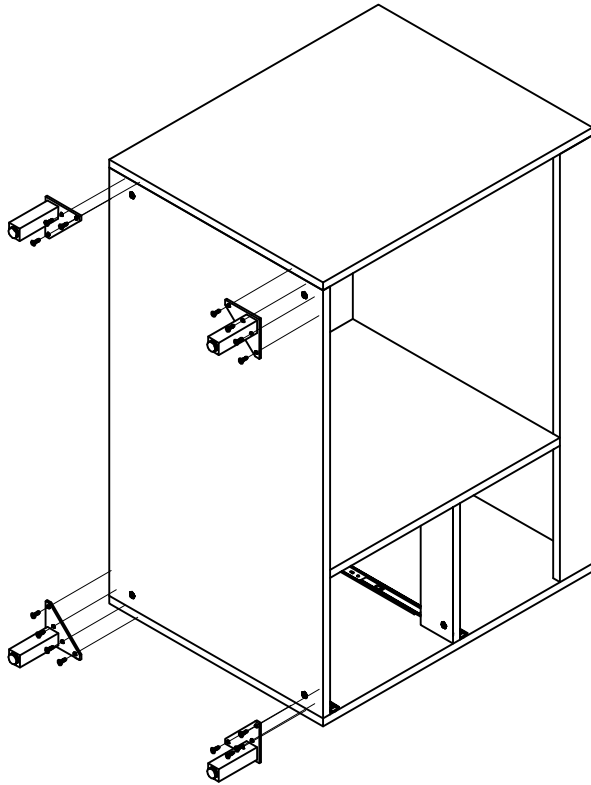
1. Connect No. 1 panel to No. 3-5-7-8 panel tightly with the three-in-one eccentric wheel.



2. Cover the mounting hole of the eccentric wheel with a three-in-one sticker.

HARDWARE LIST		
Three-in-one eccentric wheel A  5PCS	Three-in-one sticker C  5PCS	

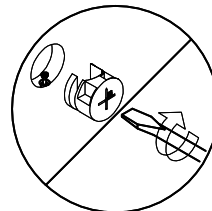
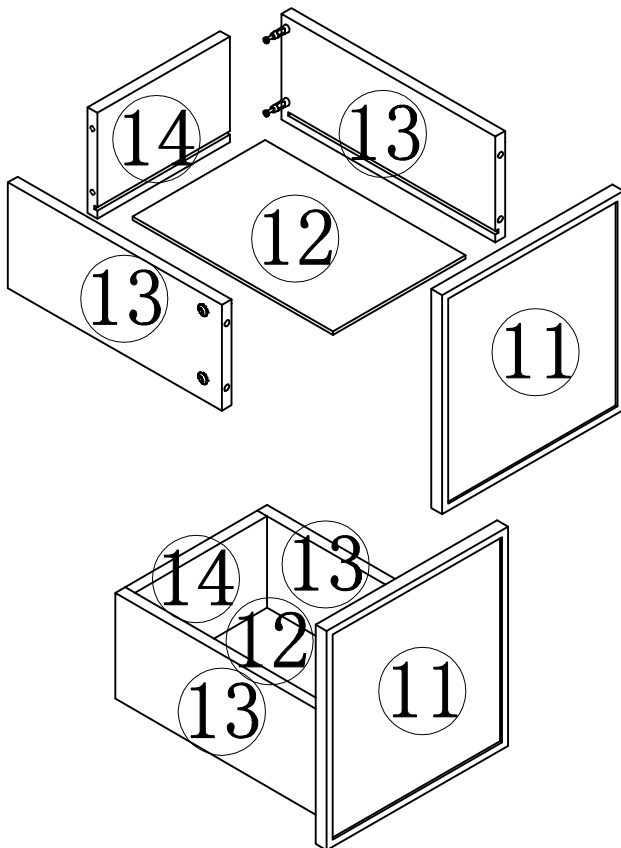
STEP 7



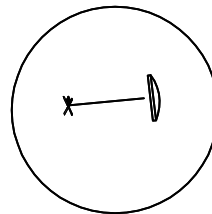
1. Fix feet of the cabinet with 4*16mm screws.

HARDWARE LIST		
4*16mm screw	Aluminum alloy feet	
F  16PCS	J  4PCS	

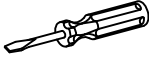

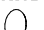
STEP 8



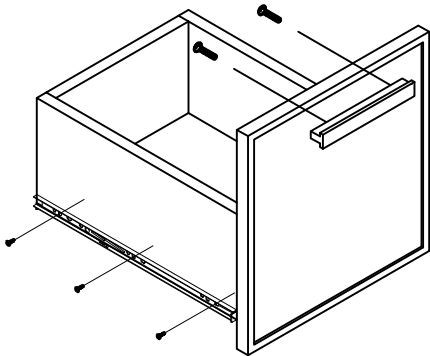
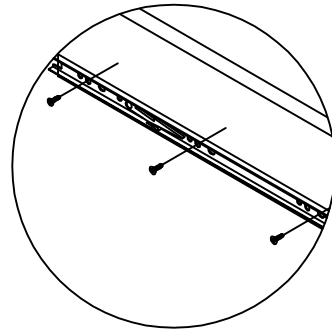
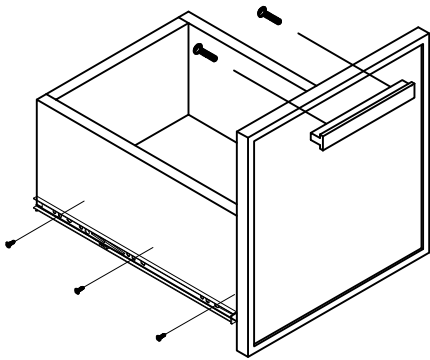
1. Install No. 11-12-13-14 panels with the three-in-one eccentric wheel tightly.



2. Cover the mounting hole of the eccentric wheel with a three-in-one sticker.

HARDWARE LIST		
Three-in-one eccentric wheel	Three-in-one sticker	
A  16PCS	C  16PCS	

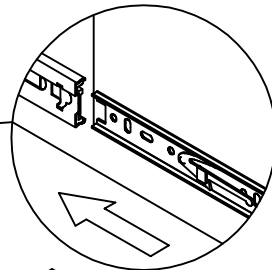
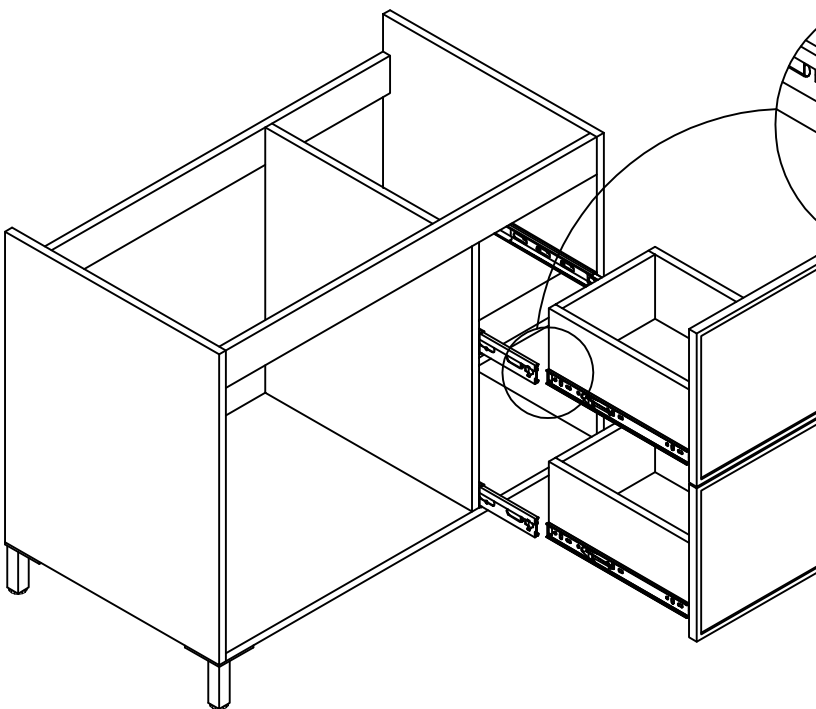
STEP 9



- 1.Lock the spare drawer slide block to the drawer.
- 2.Install the drawer handle with 4*20 handle screws.

HARDWARE LIST		
4*16mm screw	Drawer slides	
F 12PCS	E-2 4PCS	
4*20mm screw	Drawer handle	
G 4PCS	I 2PCS	

STEP 10



- 1.Align slide block with the trough on the guide rail, press the snap switch and press it forward to install the drawer.
- 2.Install drawer handles.

STEP 11

Left door hinge

Right door hinge

The left door panel covers the left side panel

The right door panel covers half of the middle side panel

1. Install the hinge cup to the door panel with 4*16mm screws.
2. Install the hinge to the side panel with 4*16mm screws.
3. Install the hinge cup on the door panel to the hinge of the side panel.
4. Adjust the door panel clearance.

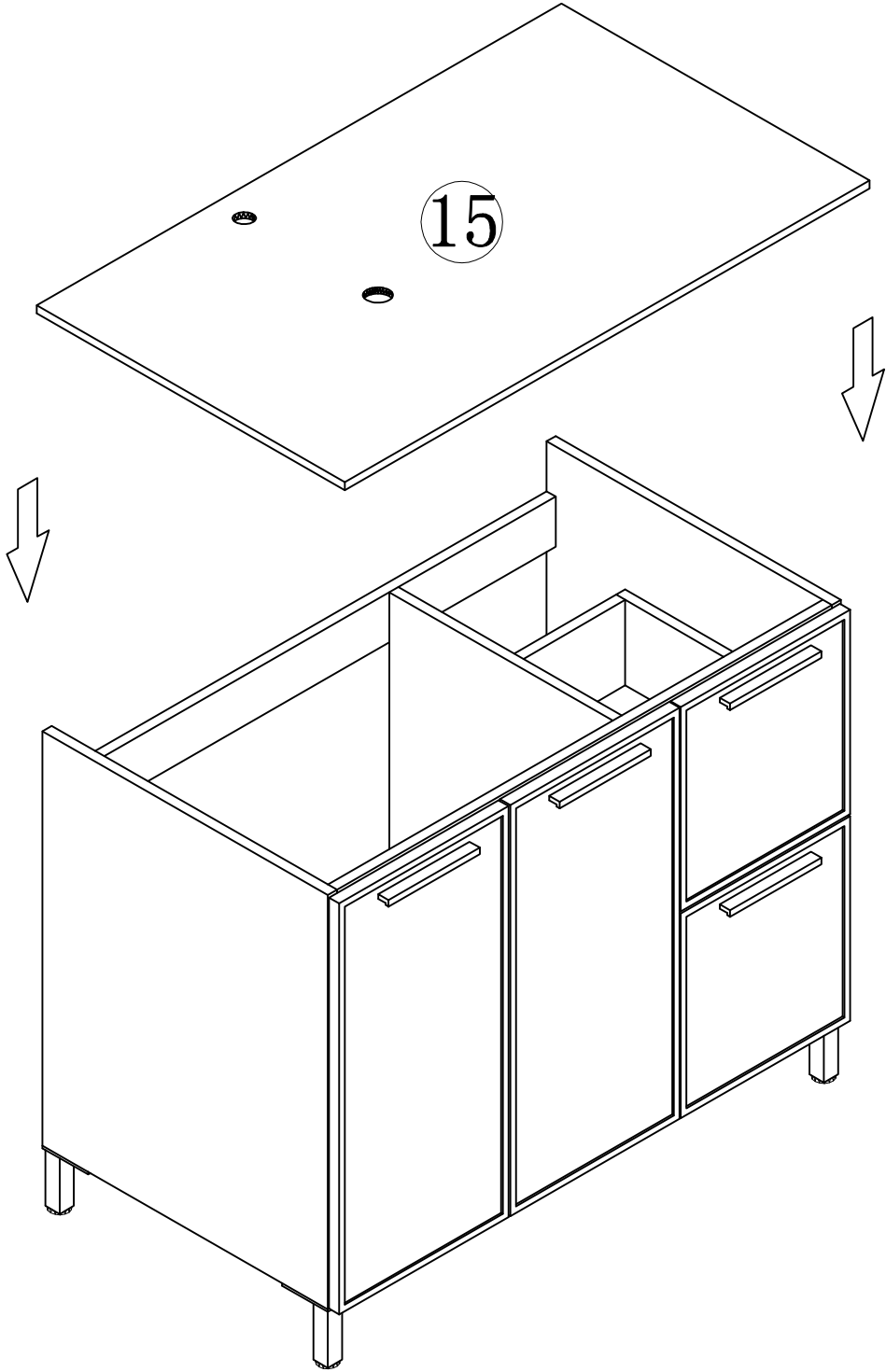
HARDWARE LIST			
4*16mm screw	Left door hinge	Right door hinge	
F 24PCS	K 2PCS	L 2PCS	

STEP 12

1. Install the door handle with 4*20mm handle screws.

HARDWARE LIST		
4*20mm screw	Door handle	
G 4PCS	H 2PCS	

STEP 13



1. Put #15 countertop panel on the top of the cabinet.



Choking hazard-Small Parts : This unit contains small parts, not for children under 3 years.

Tip-over hazard : Secure finished unit to wall stud using L-Bracket and wall screw (#10*1.5"W/out provided). If a wall stud is not neccessible , Consault your local hardware store for appropriate mounting hardware . Failure to properly install will result in product collapse or tip-over. Serious injury can occur .