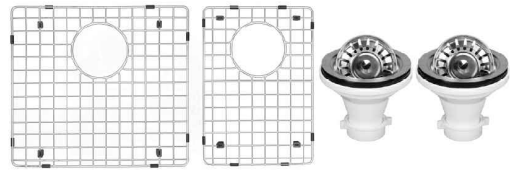
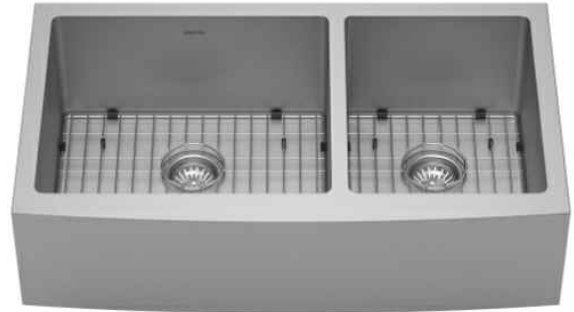


Series	Elite
Material	16 Gauge, Type 304 stainless steel
Installation Type	Apron front
Configuration	Double bowl
Finish	Soft satin brushed finish
Overall Dimensions	36" x 22 1/2"
Left Bowl Dimensions	19 7/8" x 18" x 10"
Right Bowl Dimensions	13" x 18" x 10"
Drain Size	3 5/8"
Finish Available	Stainless Steel
Minimum cabinet size	36"
Template Included	No
Clips Included	No
Drain Locations	Rear
Accessories Included	Strainer (x2) and Bottom grid (x2)

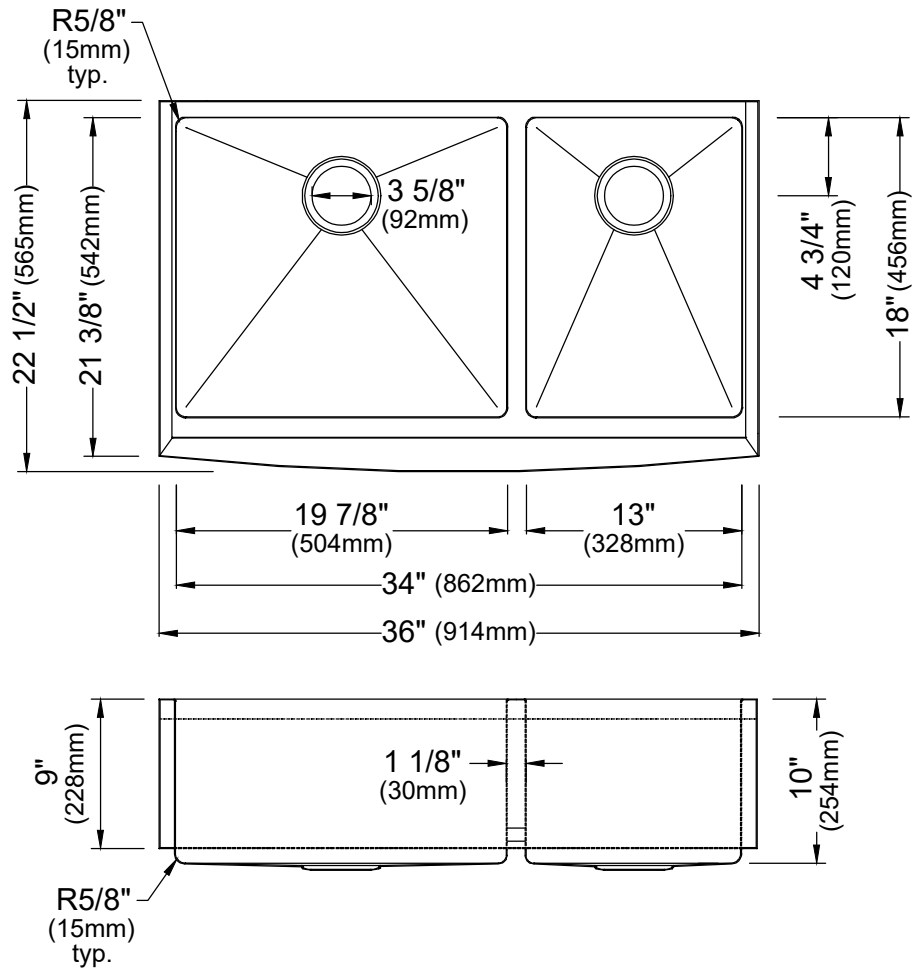


ACCESSORY
Strainer - L-1 x2
Bottom Grid - GR-3214
Bottom Grid - GR-3215

Stocked Color Options



Stainless Steel



Listing and certifications:  
cUPC

Limited lifetime warranty

We reserve the right to update product specifications without notice. Please visit [karran.com](http://karran.com) for the most current specification sheets. All dimensions are accurate to 1/4". REV 12-2025