








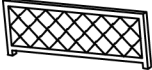
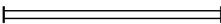





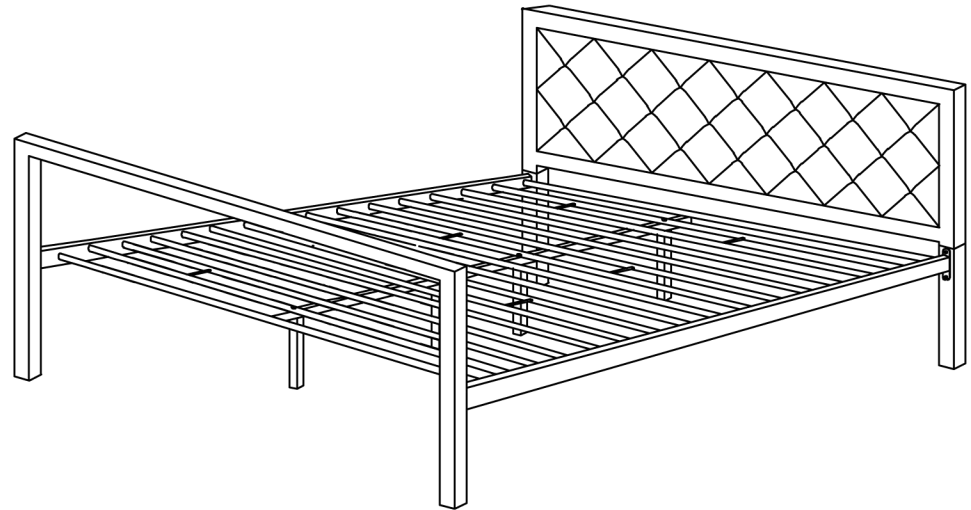




ASSEMBLY INSTRUCTIONS

A		M6*20mm	X28	G		M6	X1
B		M6*35mm	X4	H			X1
C		M6*50mm	X4	I			X16
D		M6	X8				
E		∅6mm	X4				

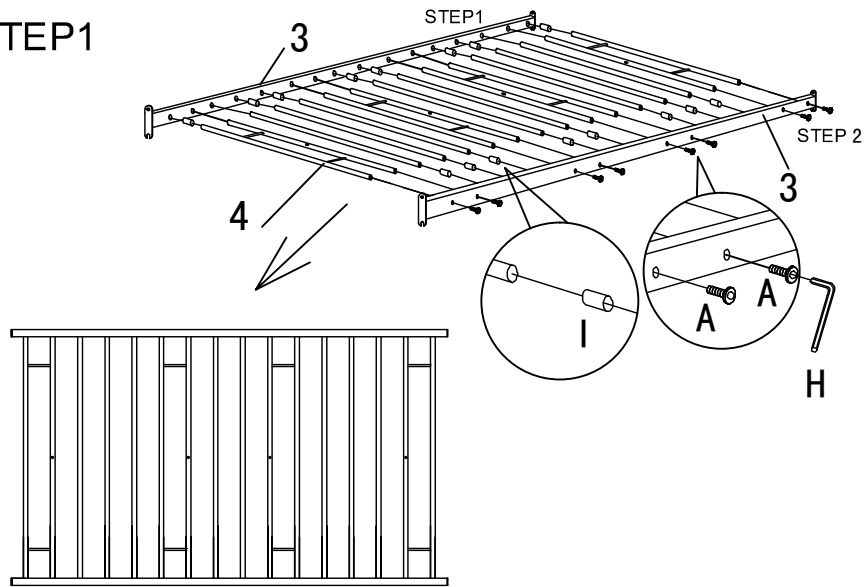
1			X1
2			X1
3			X2
4			X4
5			X8
6			X4
7			X1
8			X2



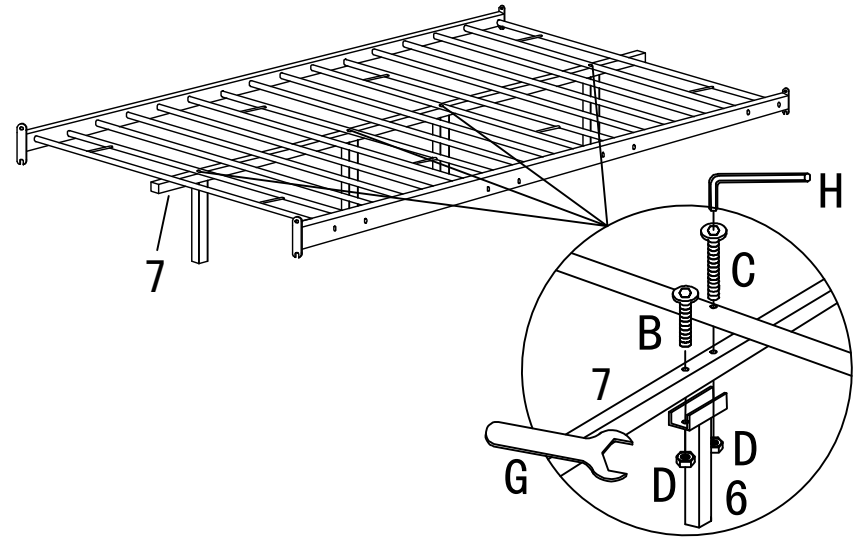

 X2


 0:30

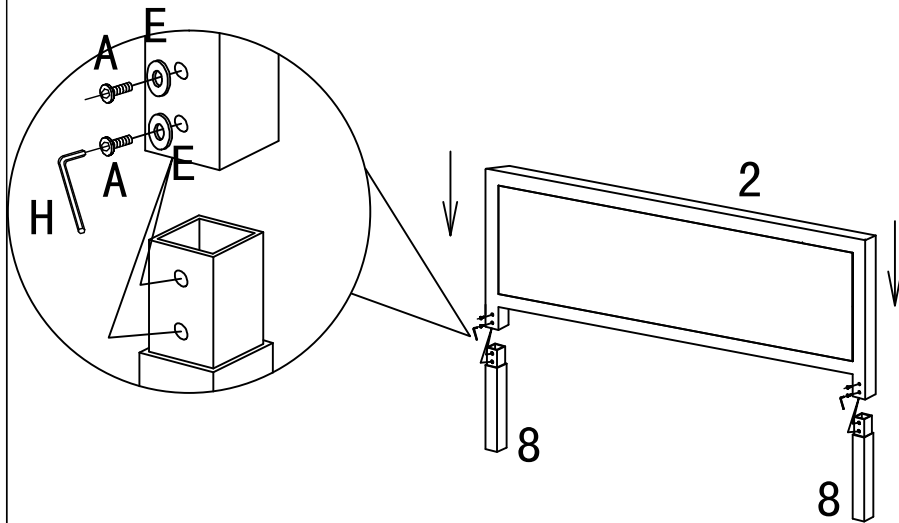
STEP 1



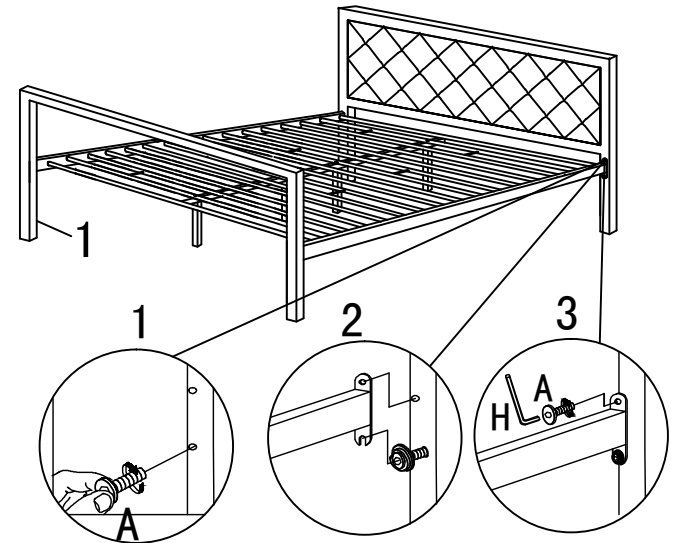
STEP 2



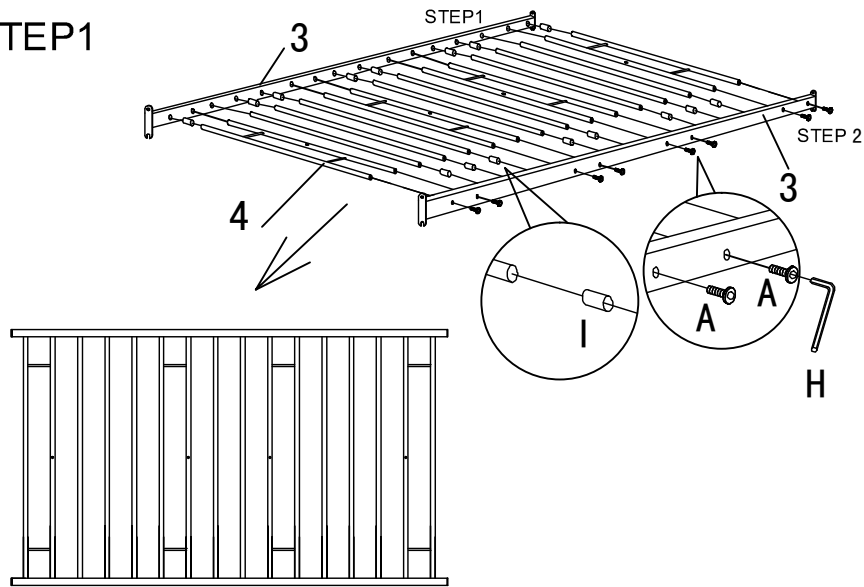
STEP 3



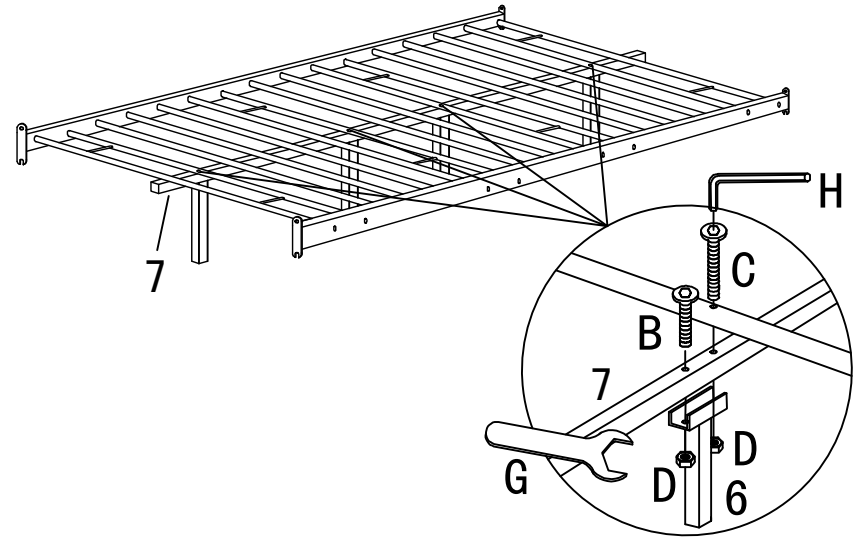
STEP 4



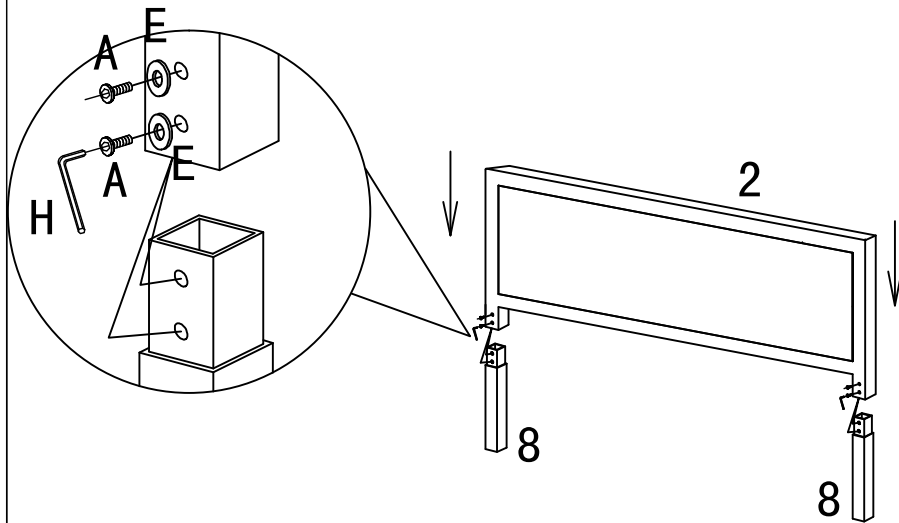
STEP 1



STEP 2



STEP 3



STEP 4

