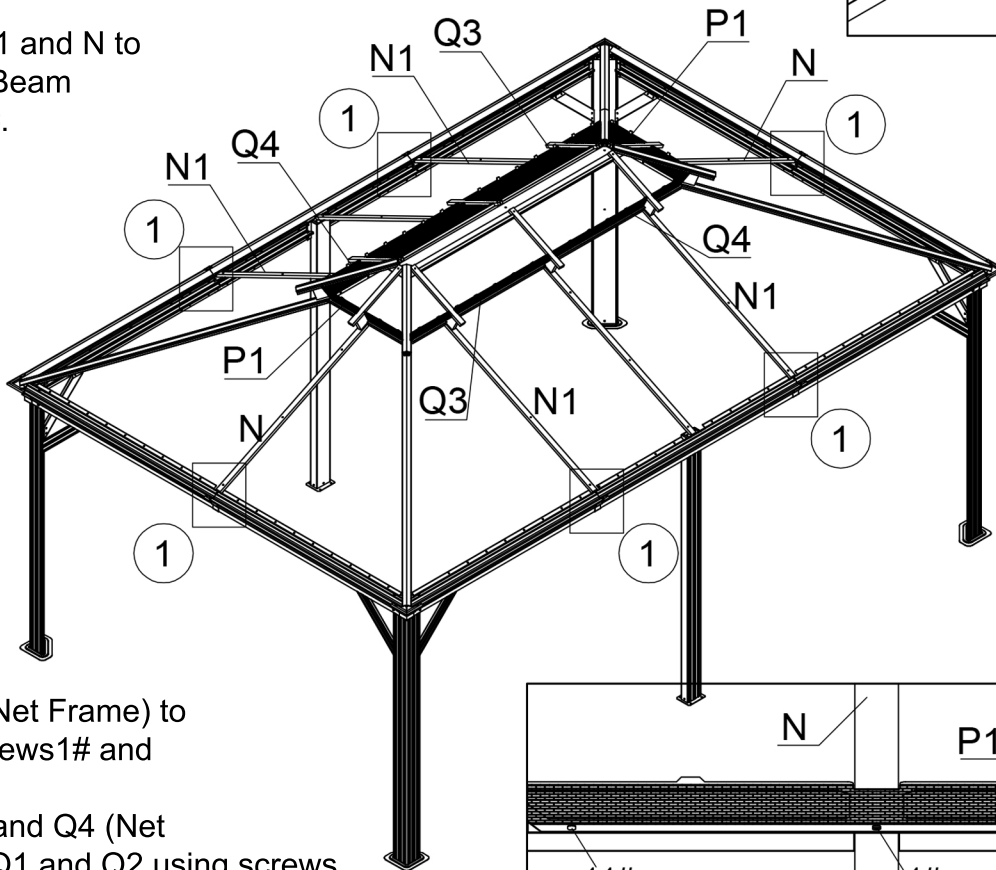
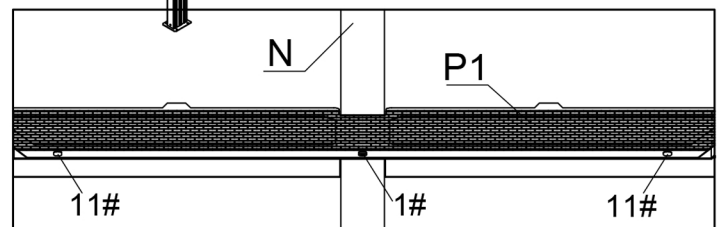
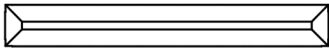


Connect Part N1 and N to Part K and the Beam using Screws 1#.

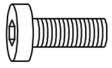


Step 9:
 Attach Part P1 (Net Frame) to Part P using screws 1# and screws 11#.
 Attach Part Q3 and Q4 (Net Frame) to Part Q1 and Q2 using screws 1# and 11#.

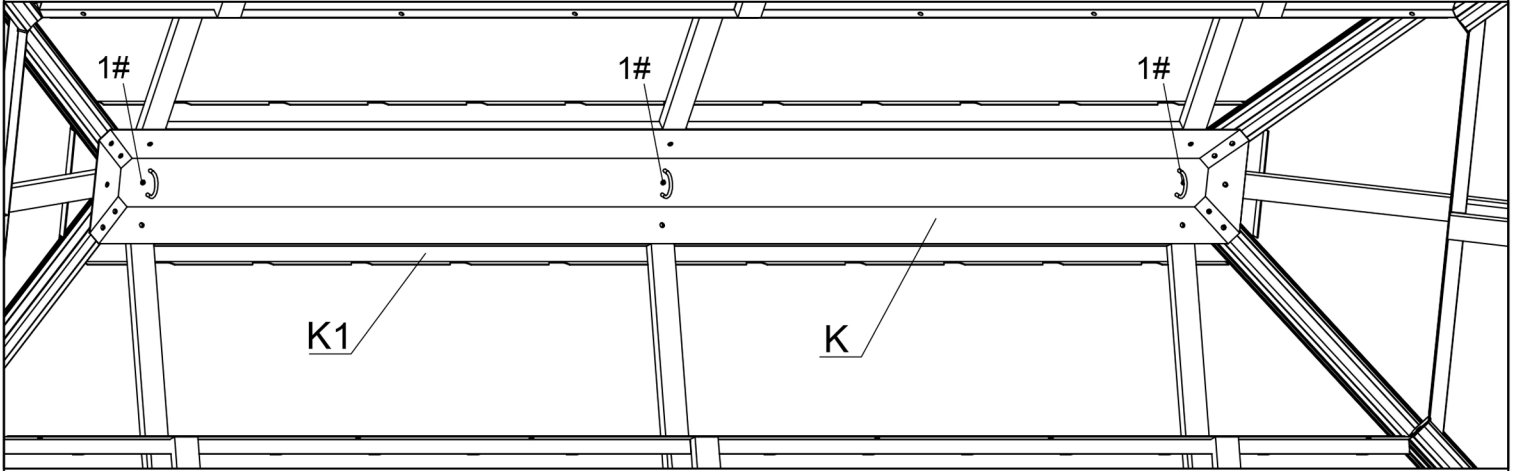




K1 (x1)

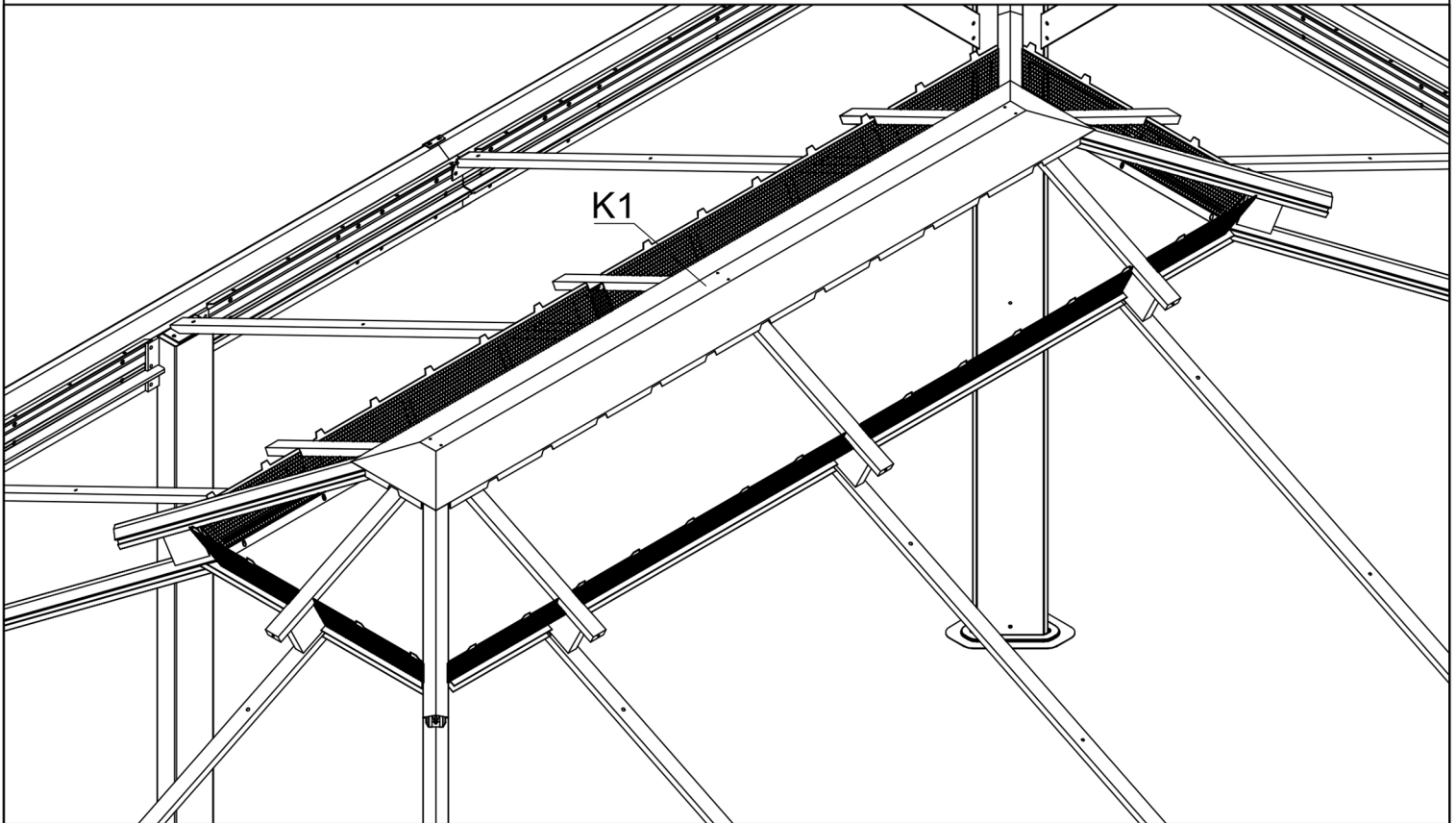


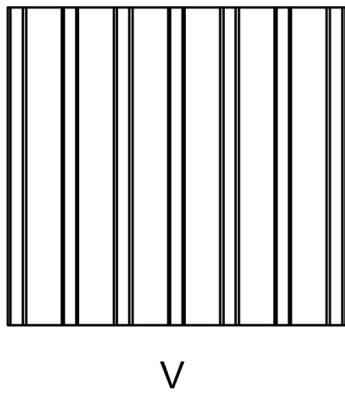
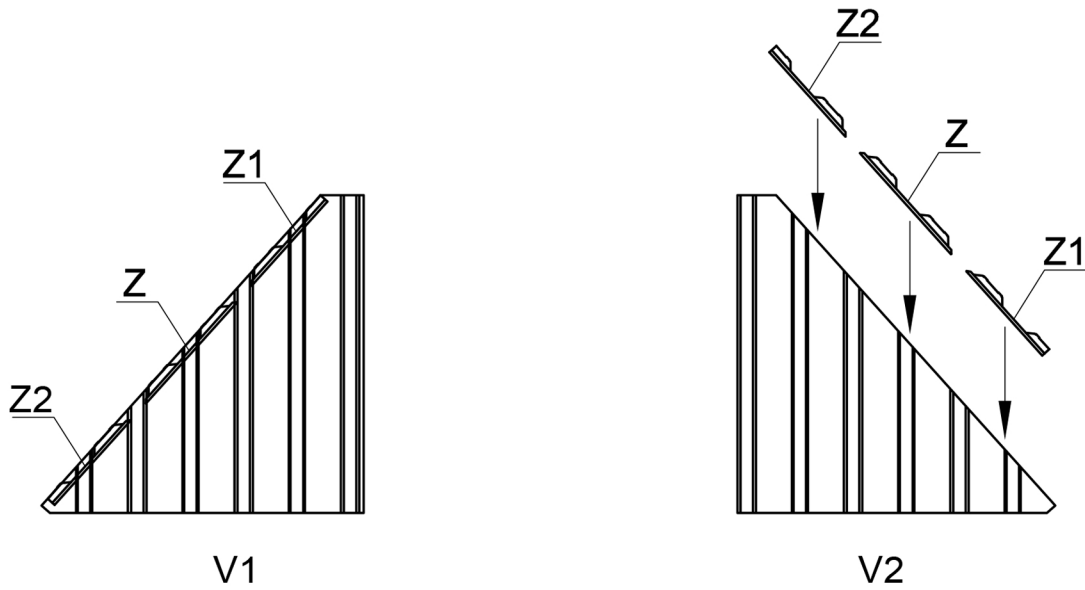
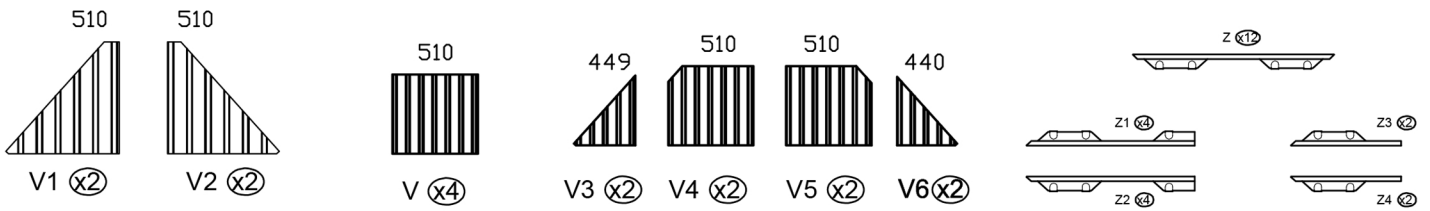
1#
x3



Step 10:

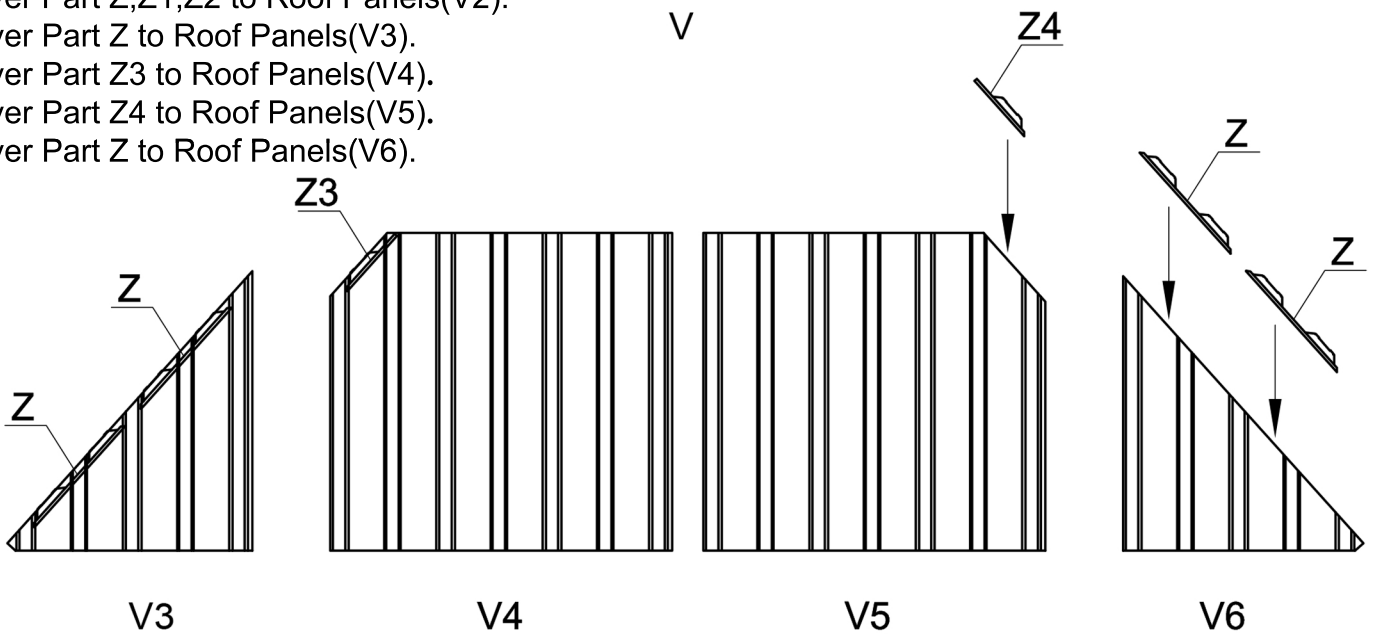
Connect Part K1 (Outside Roof Connector) to Part K (Inside Roof Connector) using screw 1#.

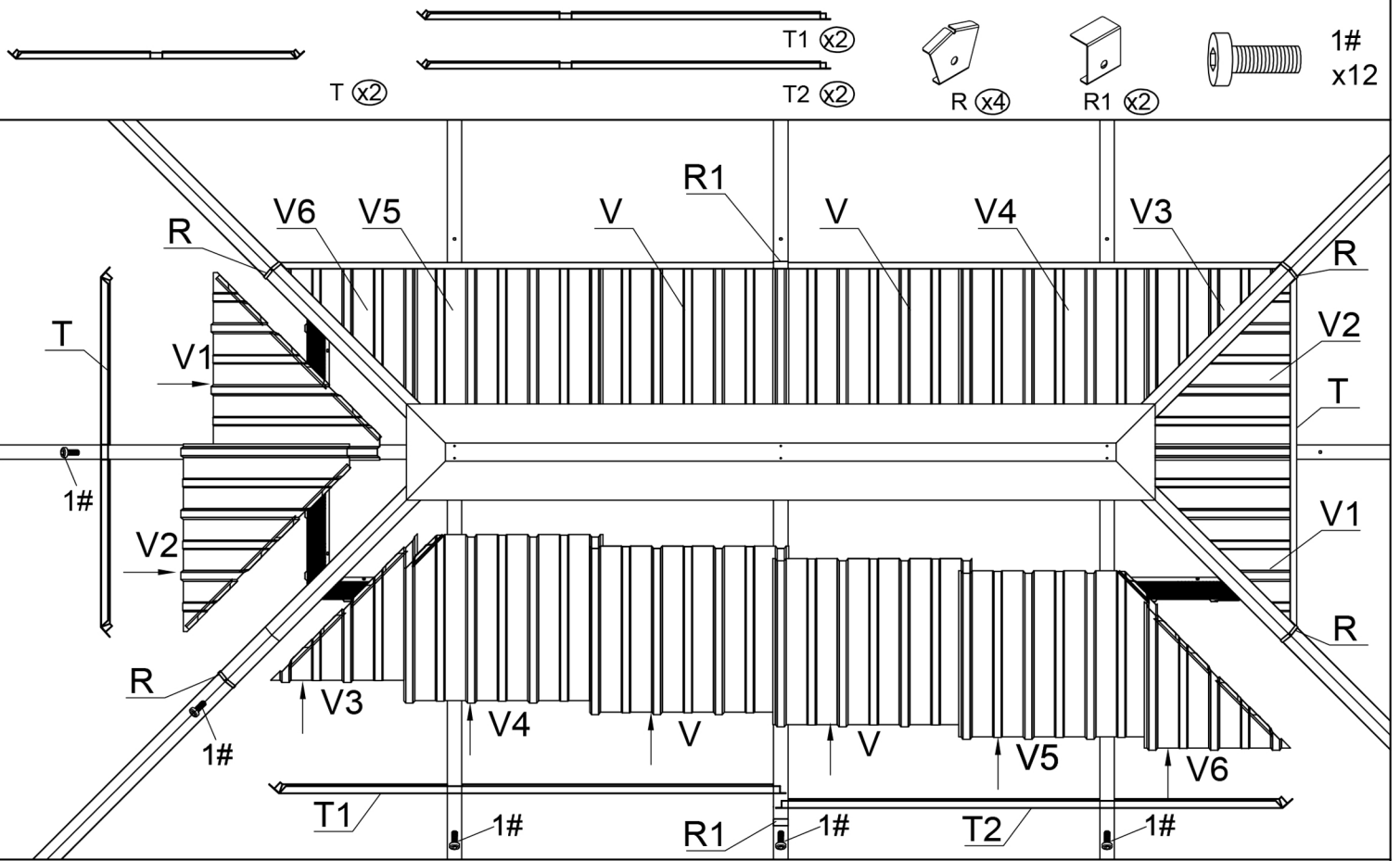




Step11:

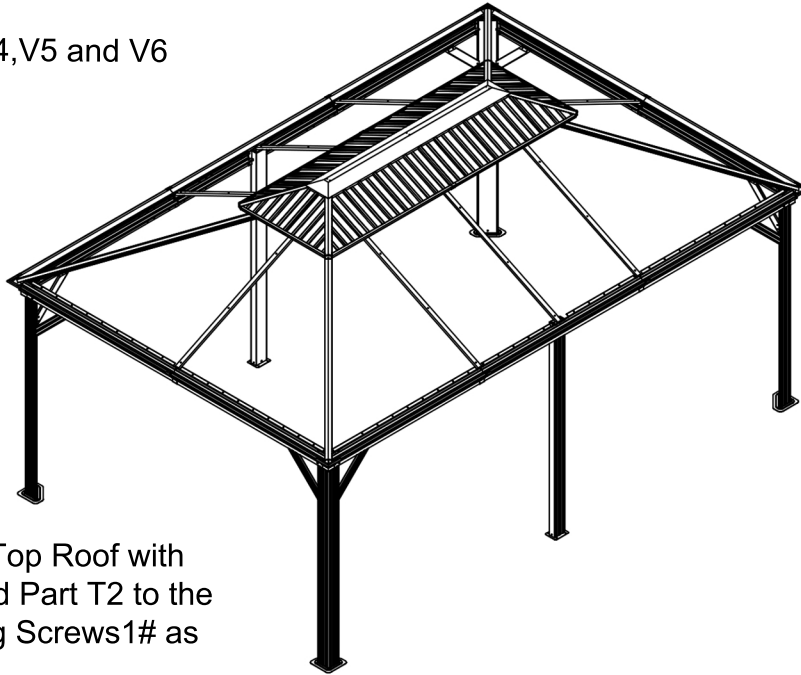
- Cover Part Z,Z1,Z2 to Roof Panels(V1).
- Cover Part Z,Z1,Z2 to Roof Panels(V2).
- Cover Part Z to Roof Panels(V3).
- Cover Part Z3 to Roof Panels(V4).
- Cover Part Z4 to Roof Panels(V5).
- Cover Part Z to Roof Panels(V6).



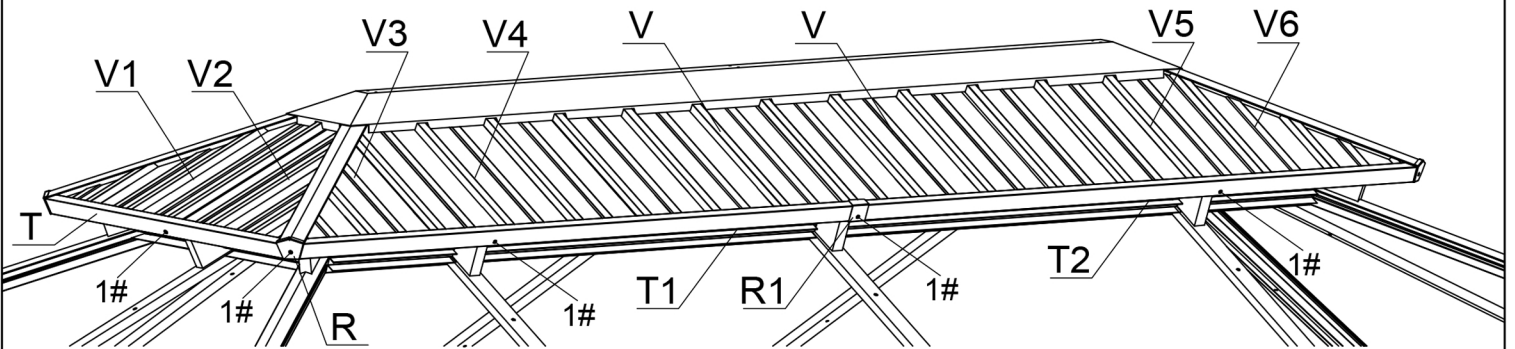


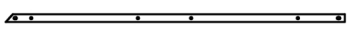
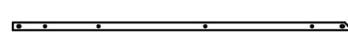
Step 12:


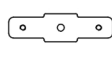

Push Part V1,V2,V3,V4,V5 and V6 to the top Roof.

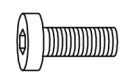


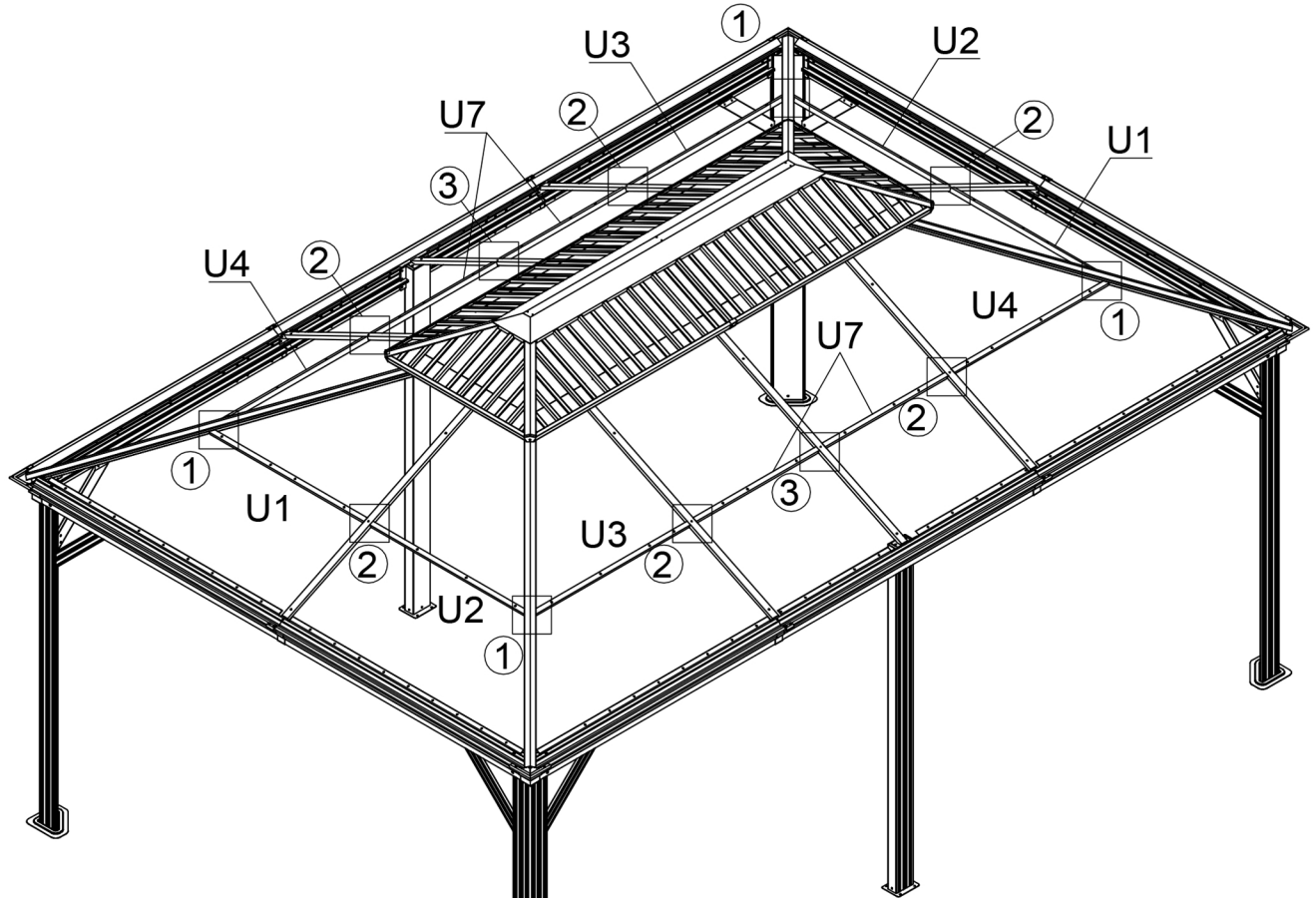
Connect Part T to the Top Roof with Part R. Connect T1 and Part T2 to the Top Roof with R1 using Screws 1# as shown in the diagram.



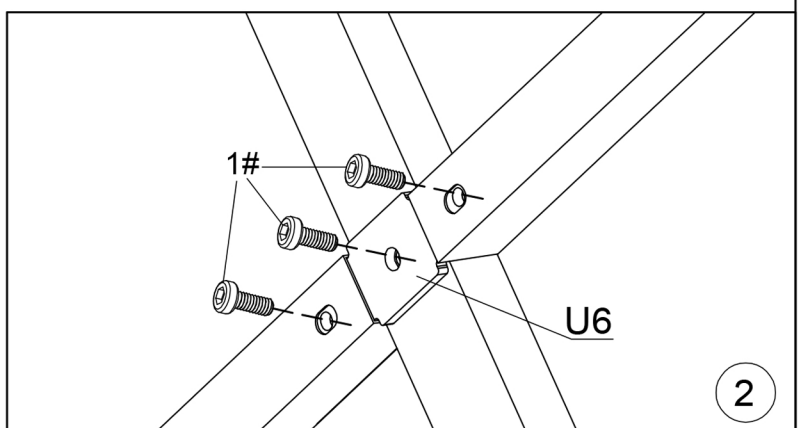
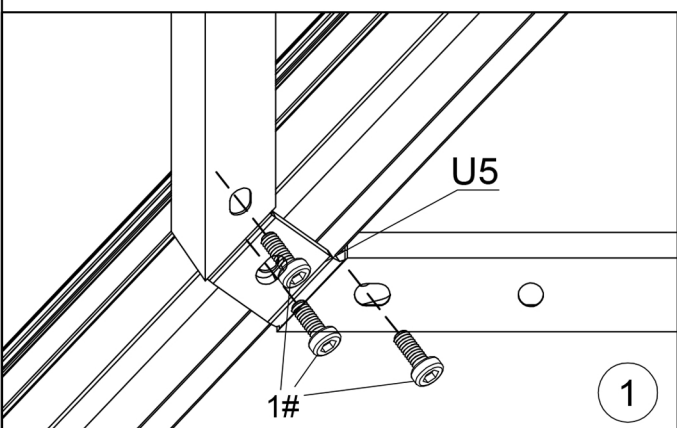
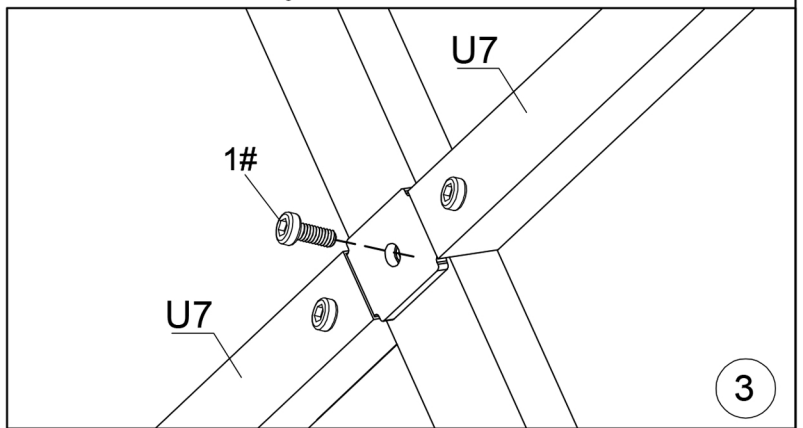
-  U1 (x2)
-  U2 (x2)
-  U3 (x2)
-  U4 (x2)

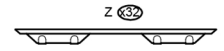
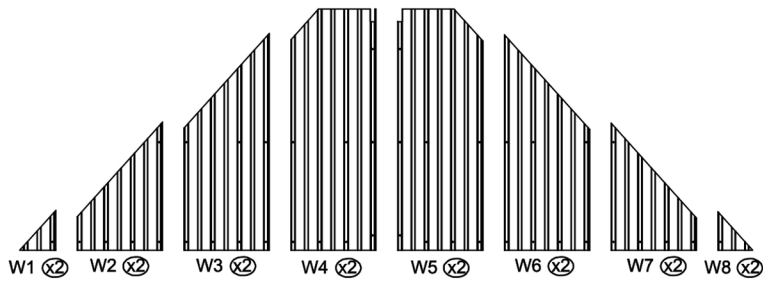
-  U5 (x4)
-  U6 (x6)
-  U7 (x2)

 1#
x32



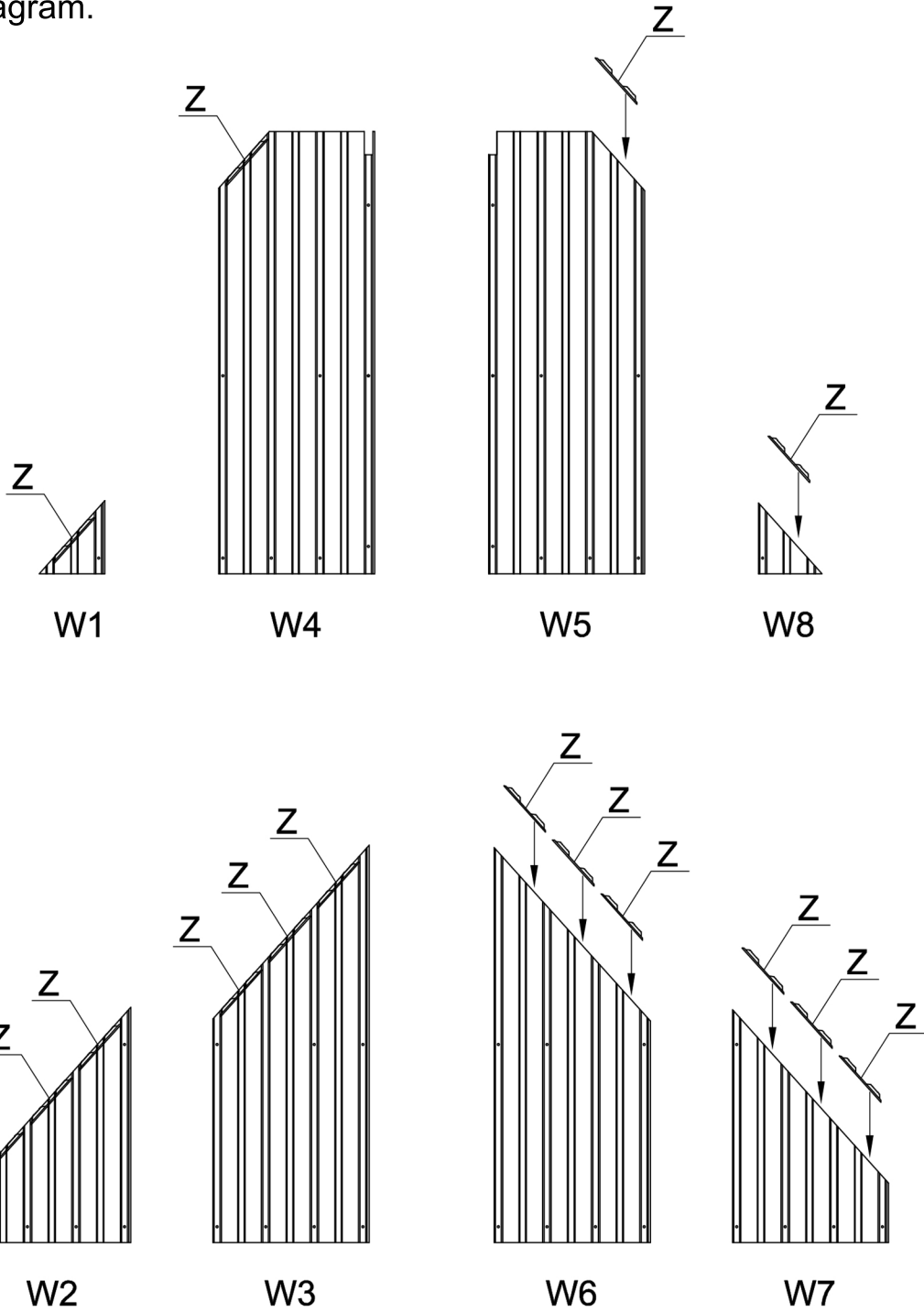
Step13:
 Connect Part U1 and Part U2 to Part M and Part N.
 As shown, Affix Part U3, U7 and U4 to Part N1, N2 and M.
 ① use screws 1#.
 ② use screws 1#.
 ③ use screws 1#

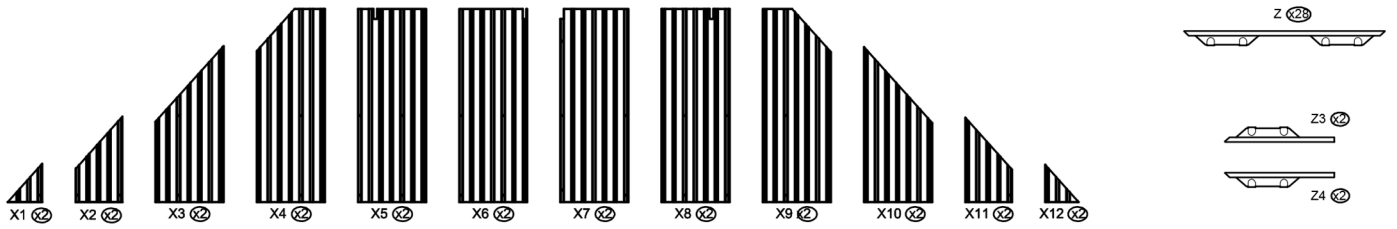




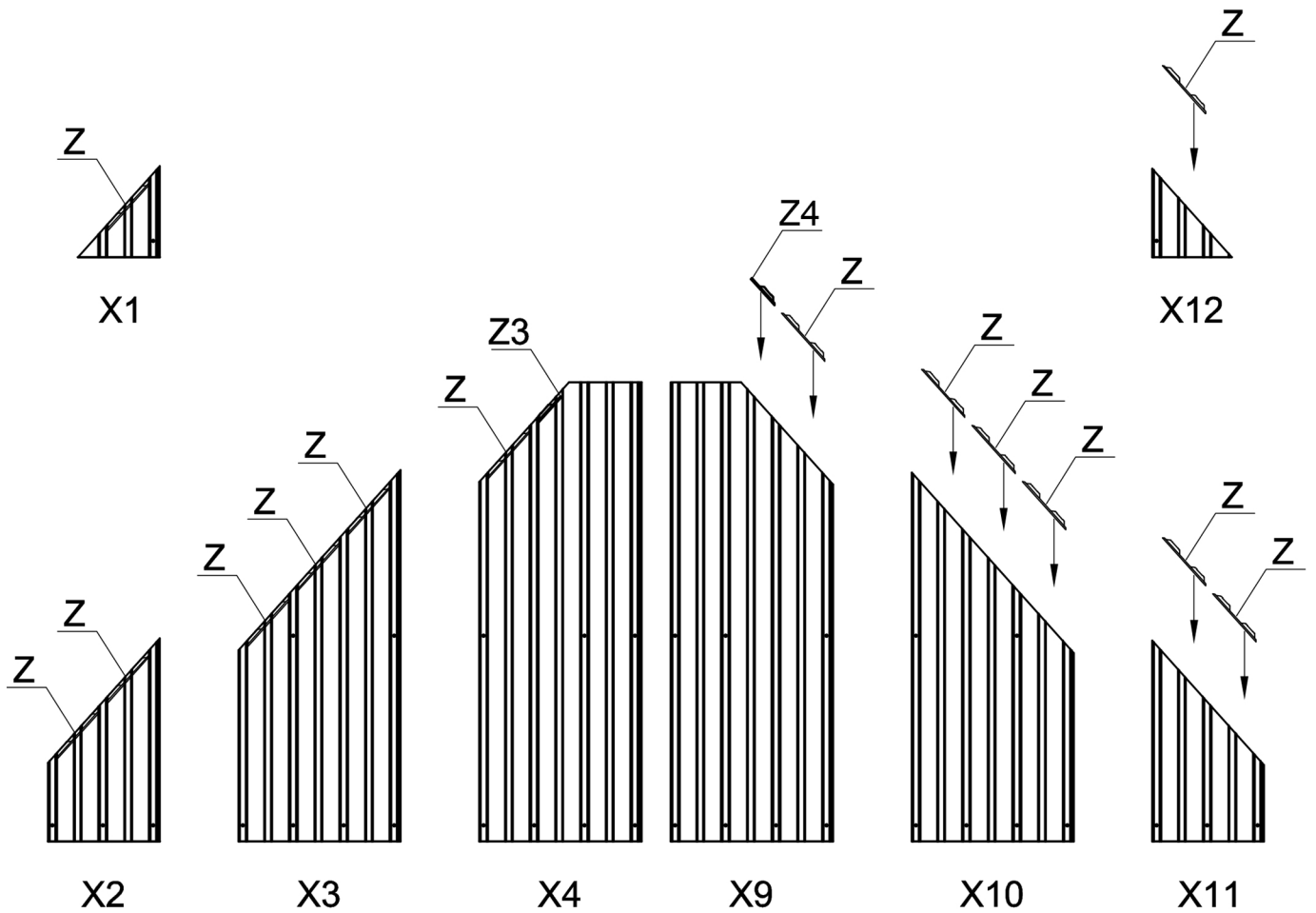
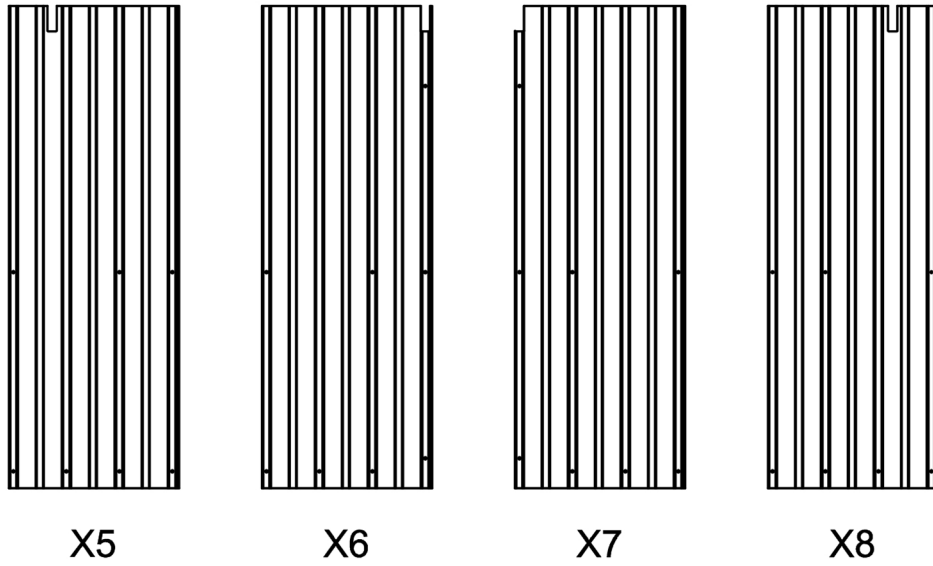
Step 14:

Cover Part Z to Part W1,W2,W3,W4,W5,W6,W7 and W8 as shown in the diagram.



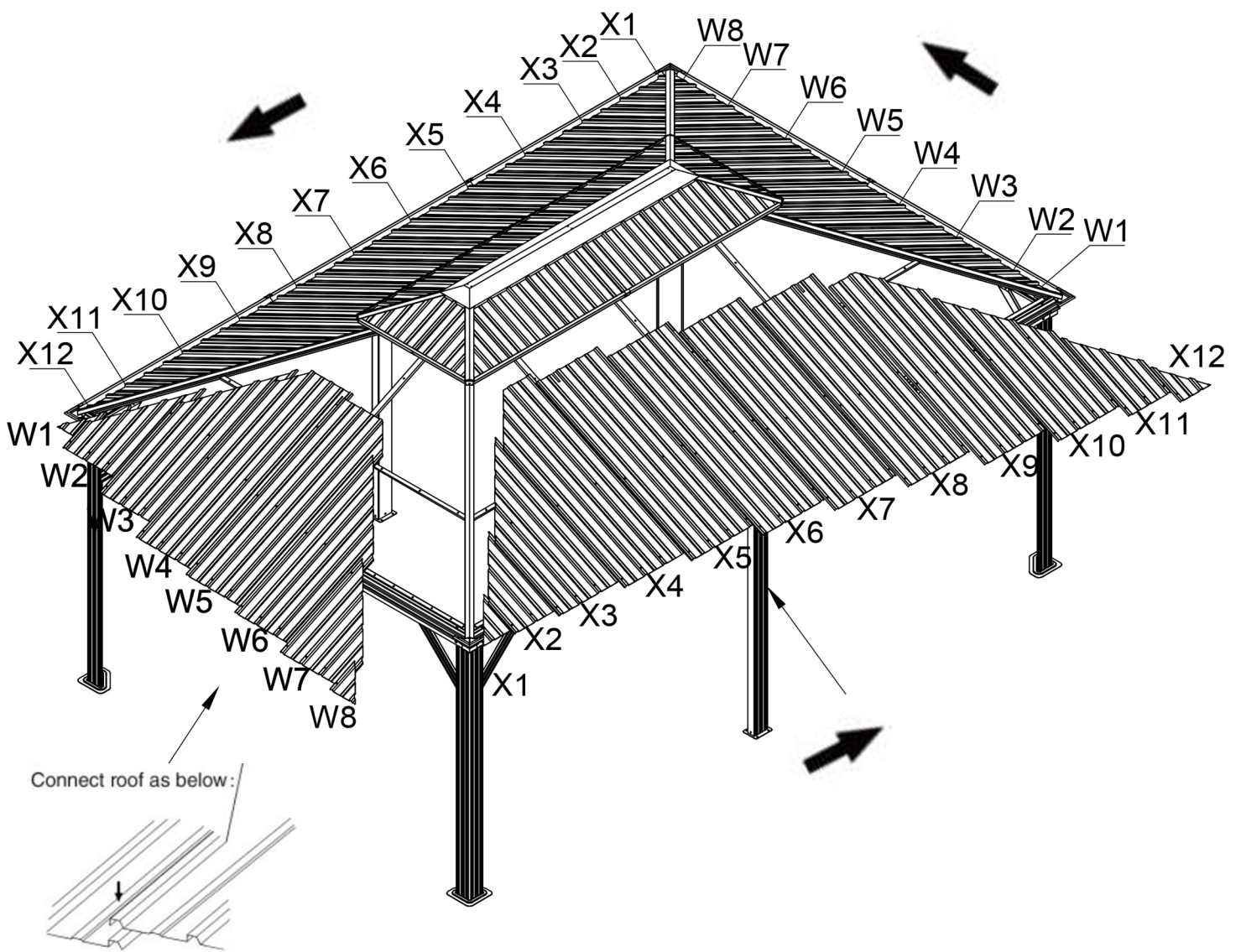


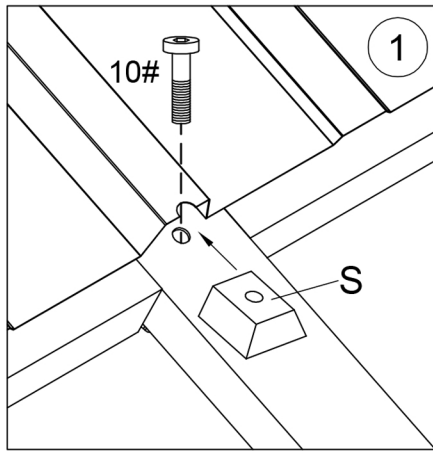
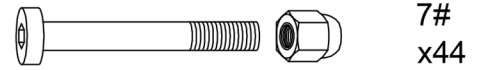
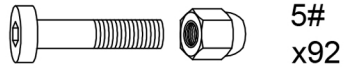
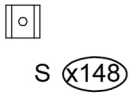
Cover Part Z to Part X1,X2,X3,X10,X11 and X12 as shown in the diagram.
 Cover Part Z and Z3 to Part X4, Z and Z4 to Part X9 as shown in the diagram.



Overall Roof Assembly:

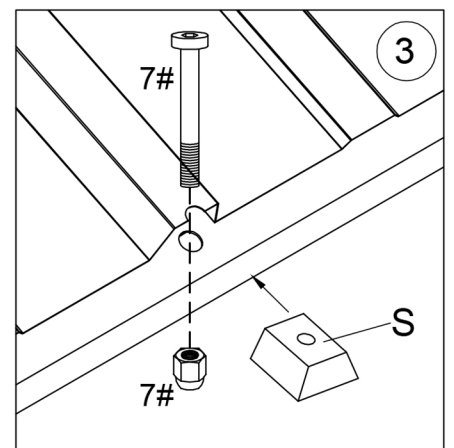
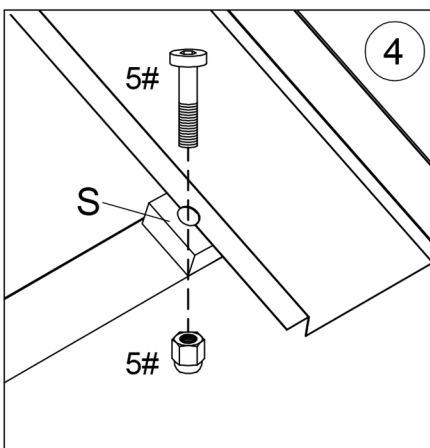
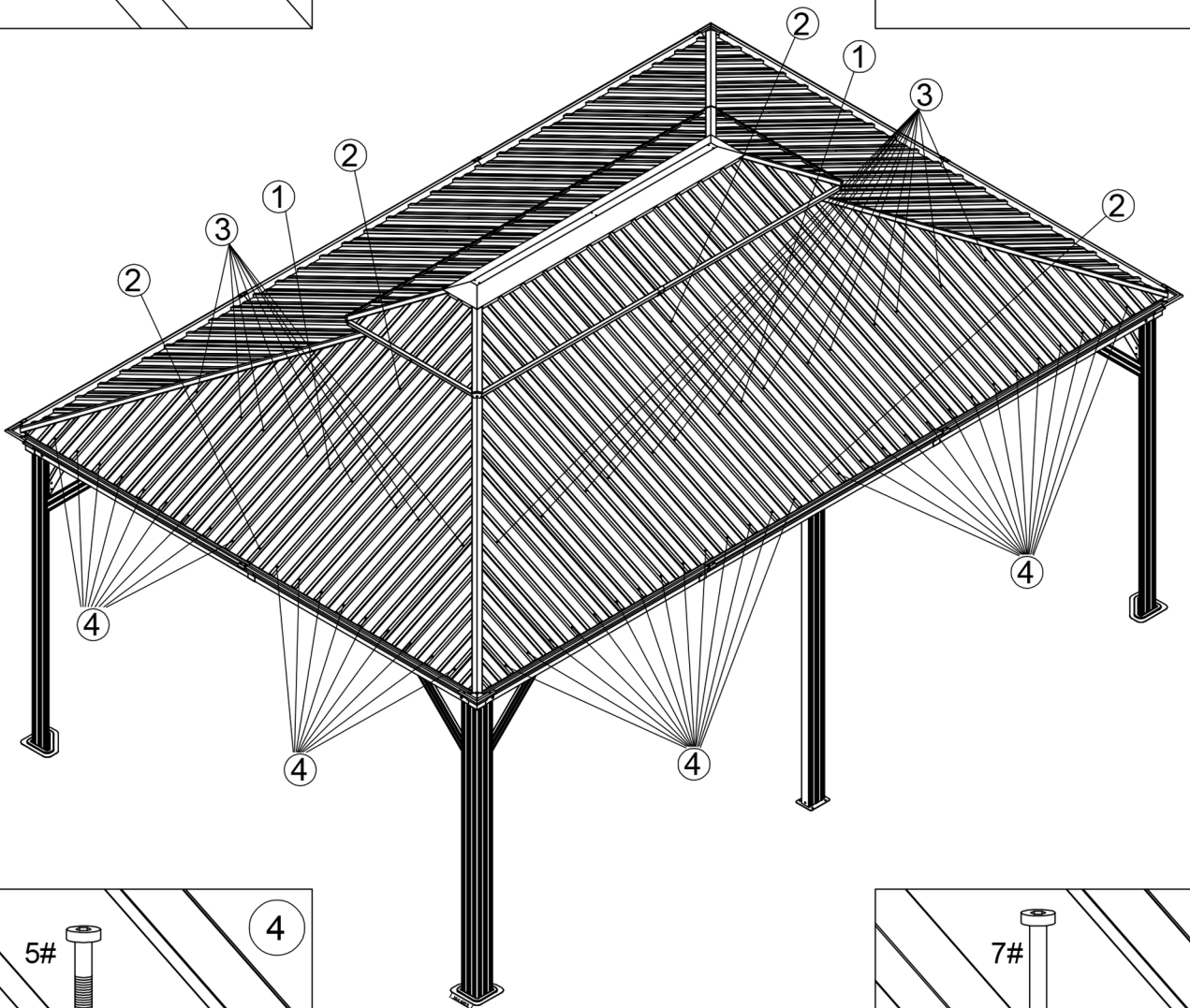
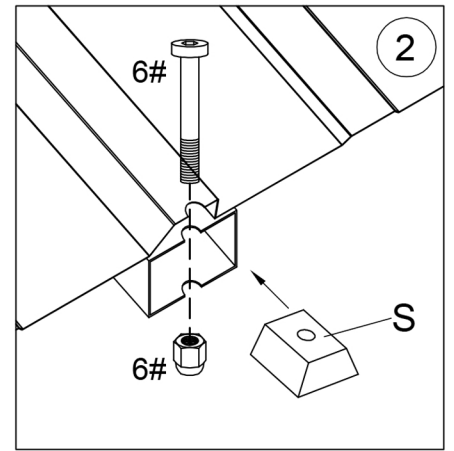
Please put the panels on the frame anti-clockwisely.

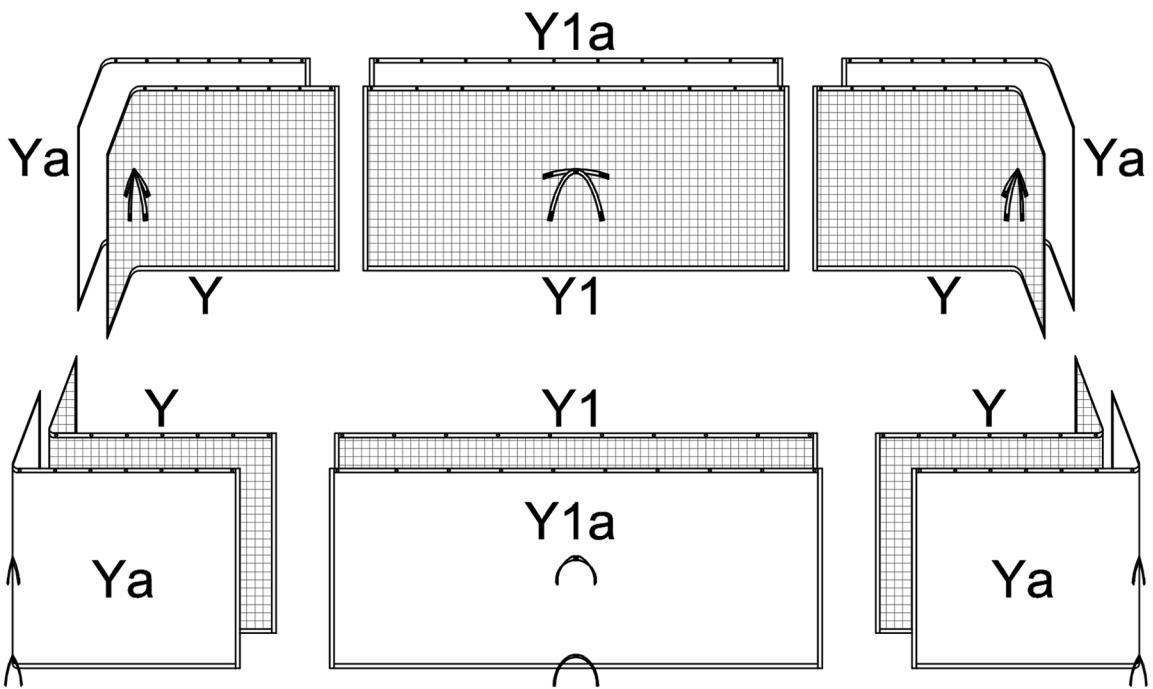
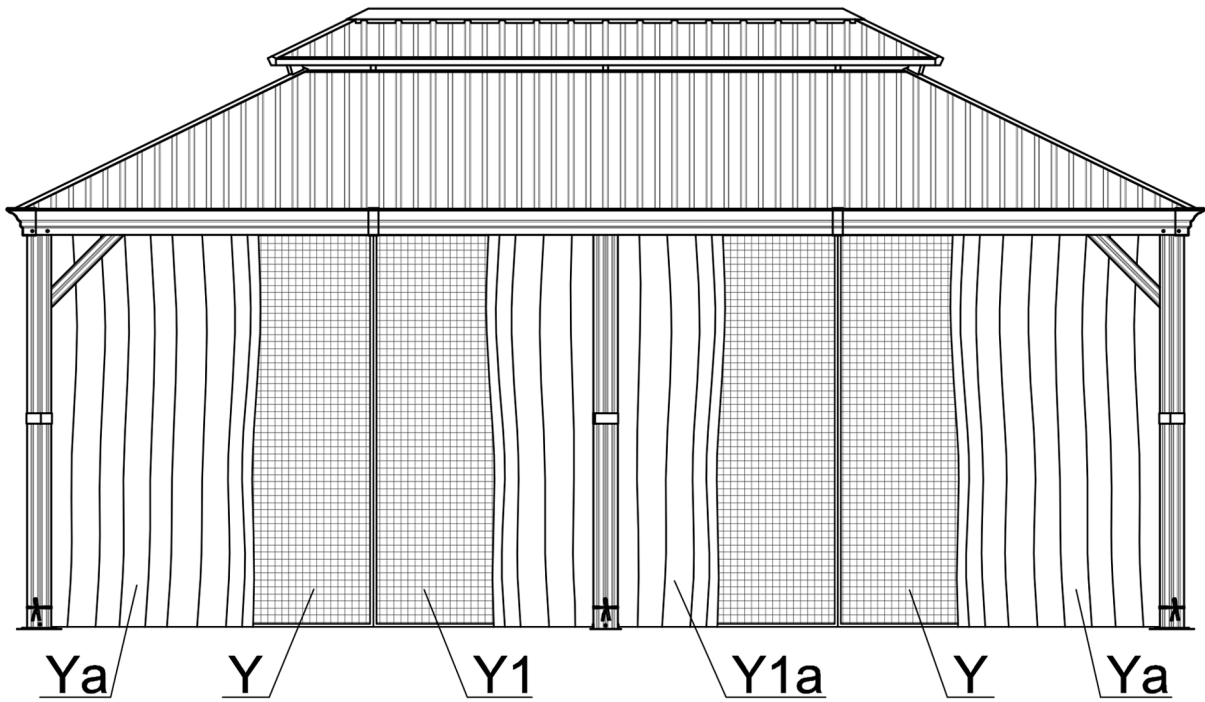
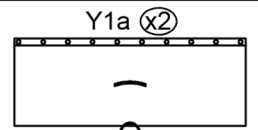
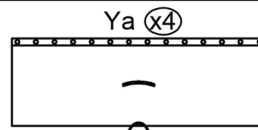
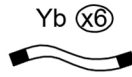
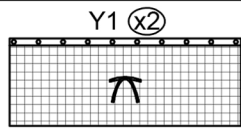
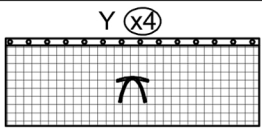




Step15:
Affix the roof panels with screws and Part S.

Note: Before installing the second roof panel, put on one roof panel and fasten it.





Step16:
Hang up mosquito net and
solid sidewalls.

