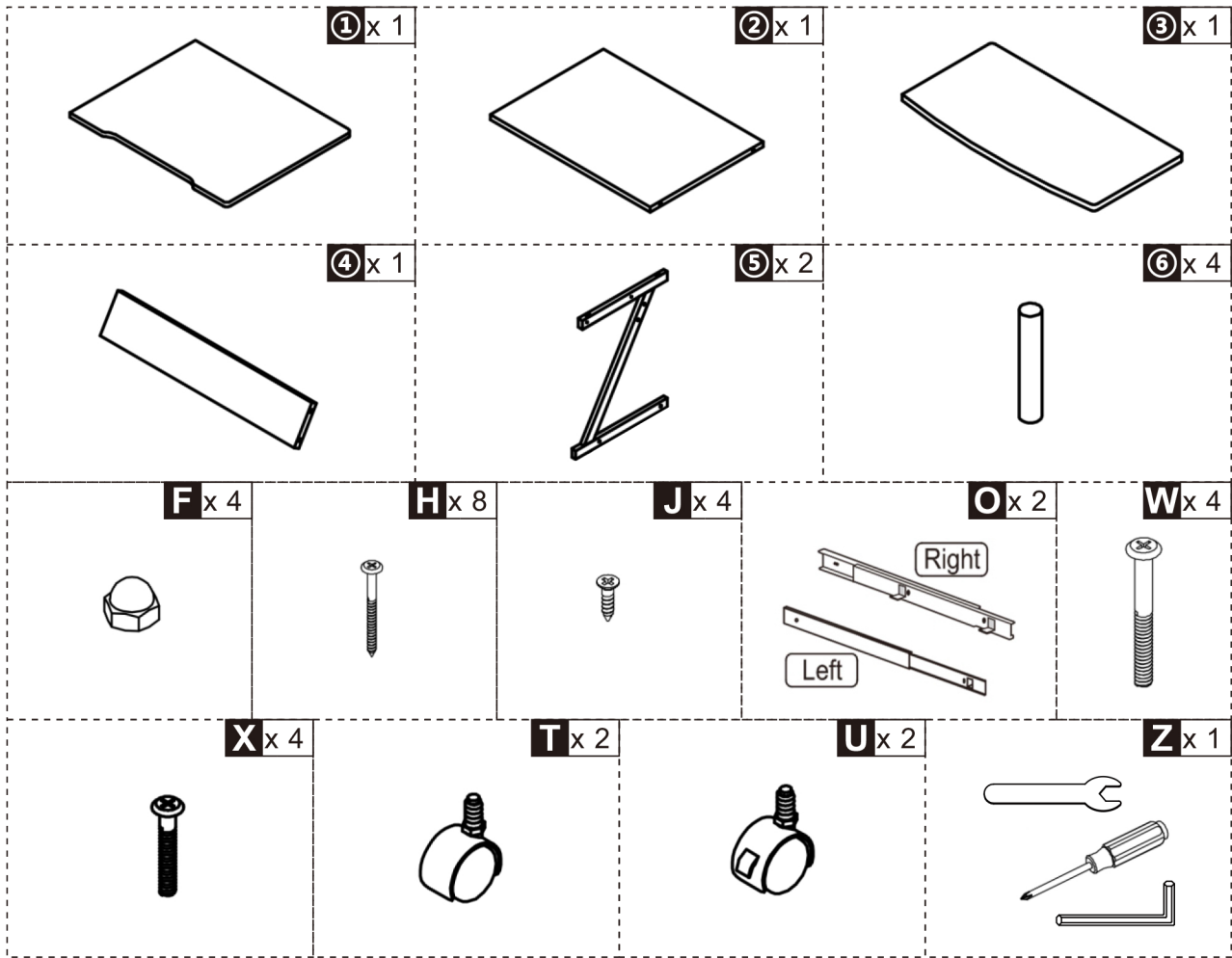
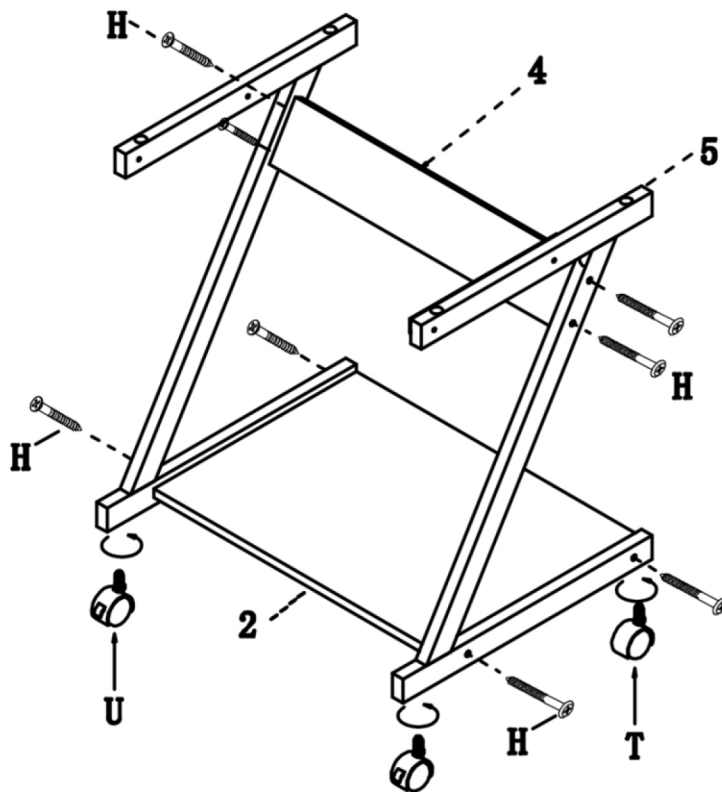


READ AND SAVE THIS INSTRUCTION FOR FUTURE USE

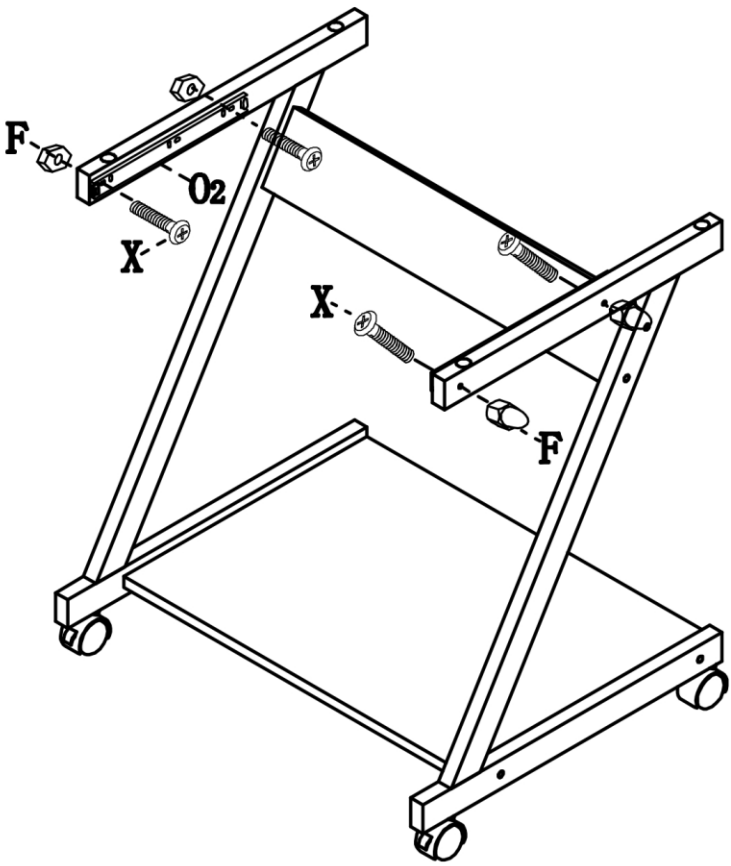
# ASSEMBLY INSTRUCTION



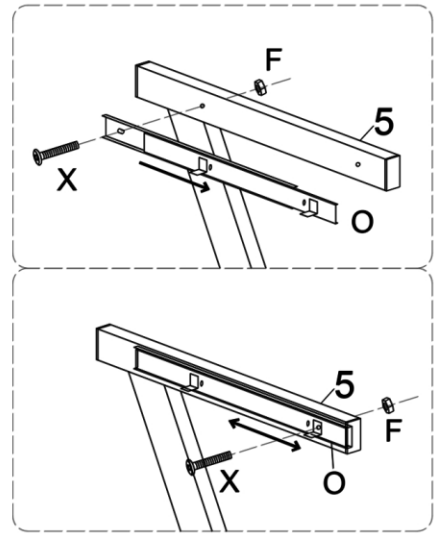
**H** x 8  
**T** x 2  
**U** x 2



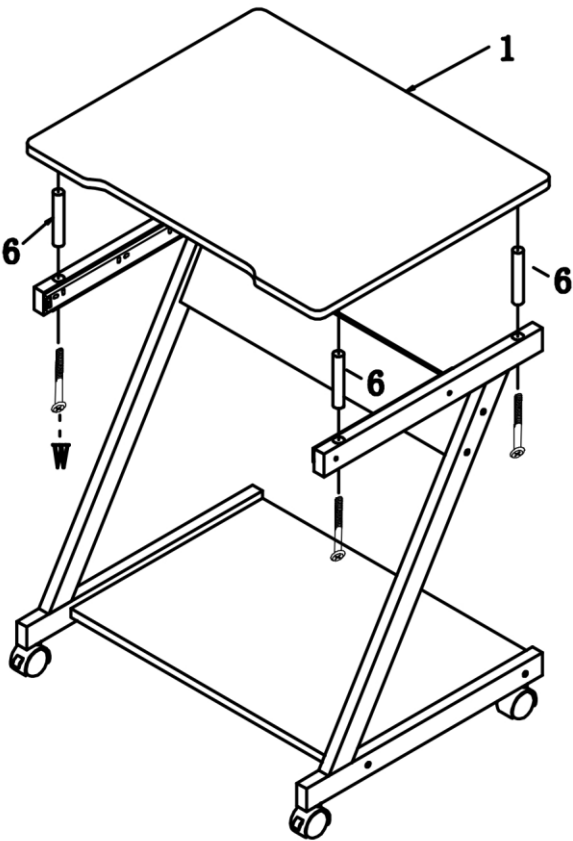
F x 4  
O x 2  
X x 4



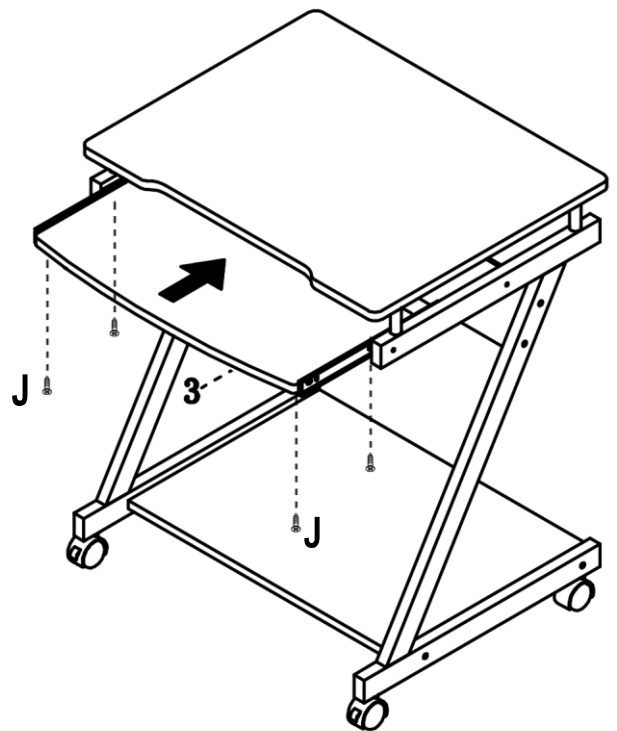
Right



W x 4



J x 4



Done