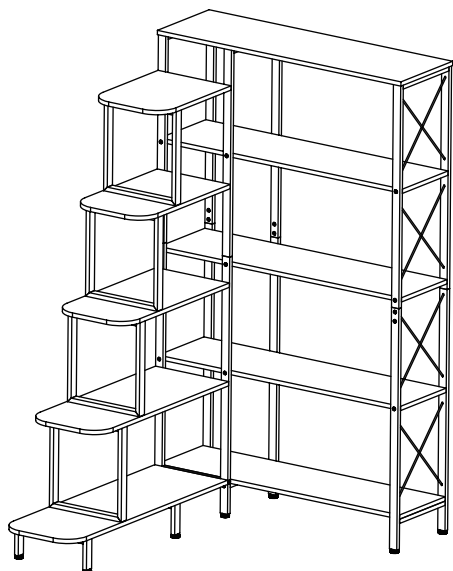
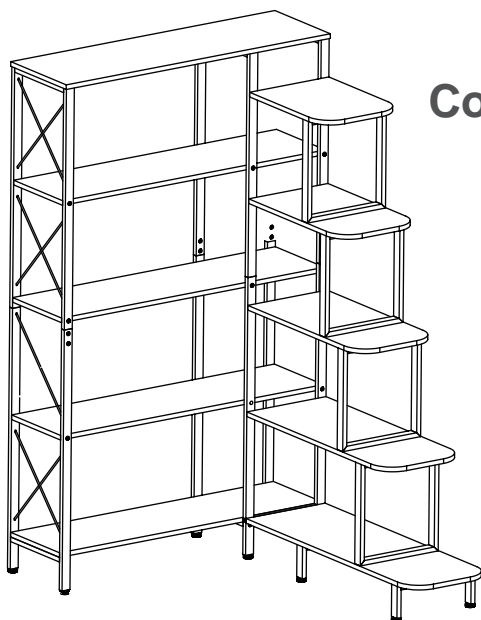

USER'S MANUAL



Corner Bookshelf (Left)

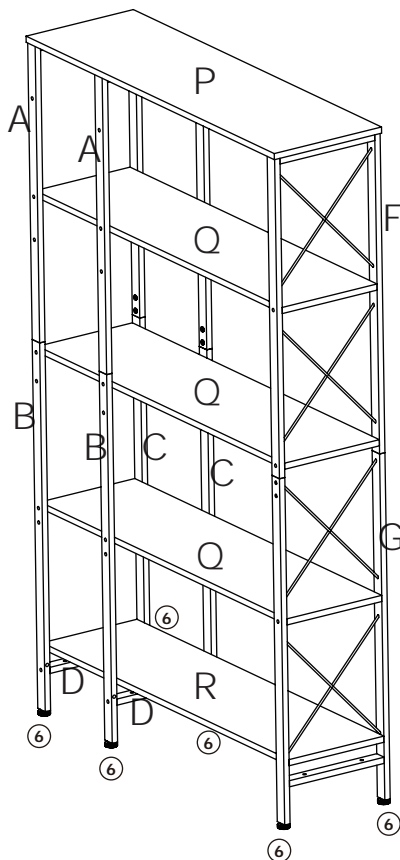
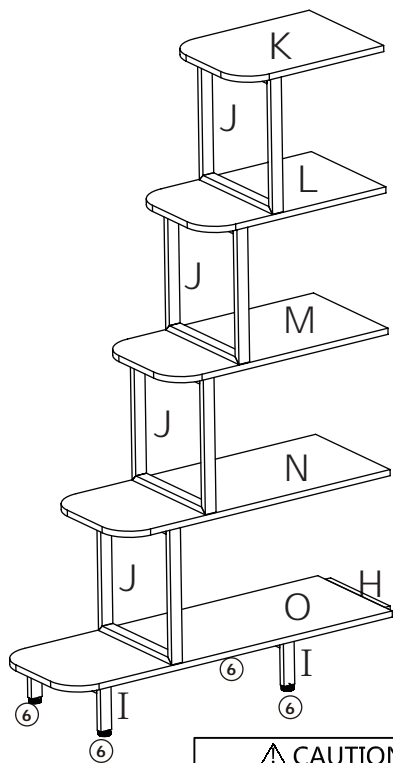
(Refer to Page 1 ~ 15)



Corner Bookshelf (Right)

(Refer to Page 16 ~ 30)

OVERVIEW





⚠ CAUTION

READ THE INSTRUCTION MANUAL BEFORE ASSEMBLING

- OPEN THE HARDWARE AS NEEDED
- ASSEMBLE IN AN AREA WITH PLENTY OF SPACE
- READ EACH STEP BEFORE BEGINNING CONSTRUCTION
- NEVER FORCE THE SCREWS OR FITTINGS
- KEEP THIS MANUAL FOR FUTURE REFERENCE
- TIGHTEN ALL THE SCREWS EVERY 6 MONTHS
- DO NOT SHIFT OR DRAG THE PRODUCT AFTER ASSEMBLY
- POWER TOOLS SHOULD NOT BE USED TO ASSEMBLE THIS PRODUCT

CLEANING AND CARE

- CLEAN SURFACES WITH A DRY OR DAMP CLOTH
- DO NOT USE ABRASIVE CLEANERS

	YES
	NO

① x 12



(M6 x 12)

② x 32



(M6 x 25)

③ x 4



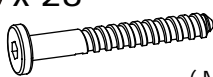
(M6 x 30)

④ x 2



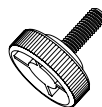
(M6 x 45)

⑤ x 28



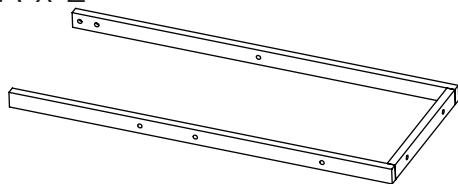
(M5 x 50)

⑥ x 10

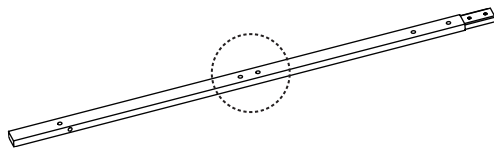


PARTS LIST

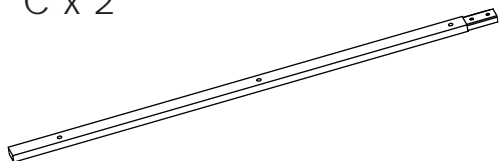
A x 2



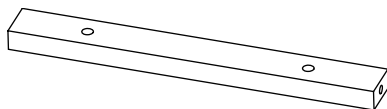
B x 2



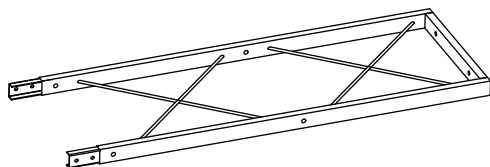
C x 2



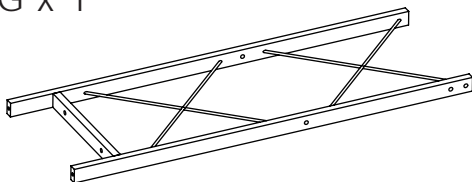
D x 2



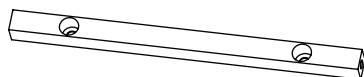
F x 1



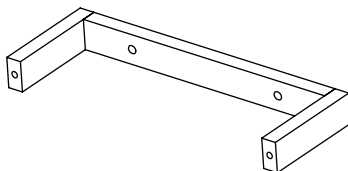
G x 1



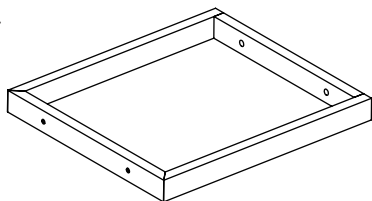
H x 1



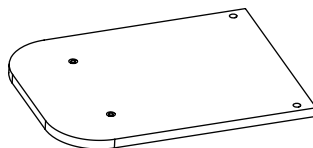
I x 2



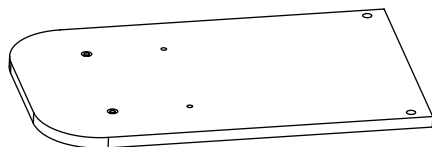
J x 4



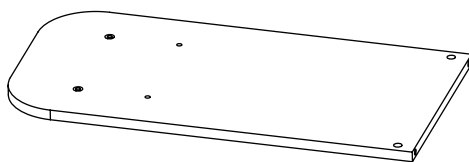
K x 1



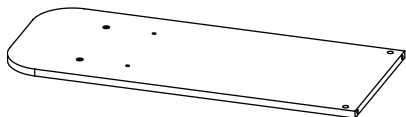
L x 1



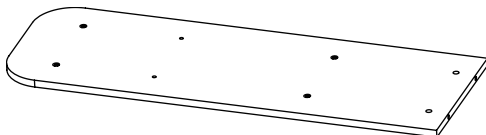
M x 1



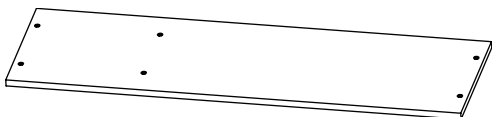
N x 1



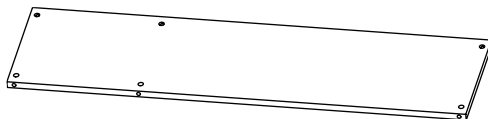
O x 1



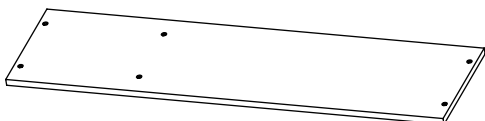
P x 1



Q x 3



R x 1

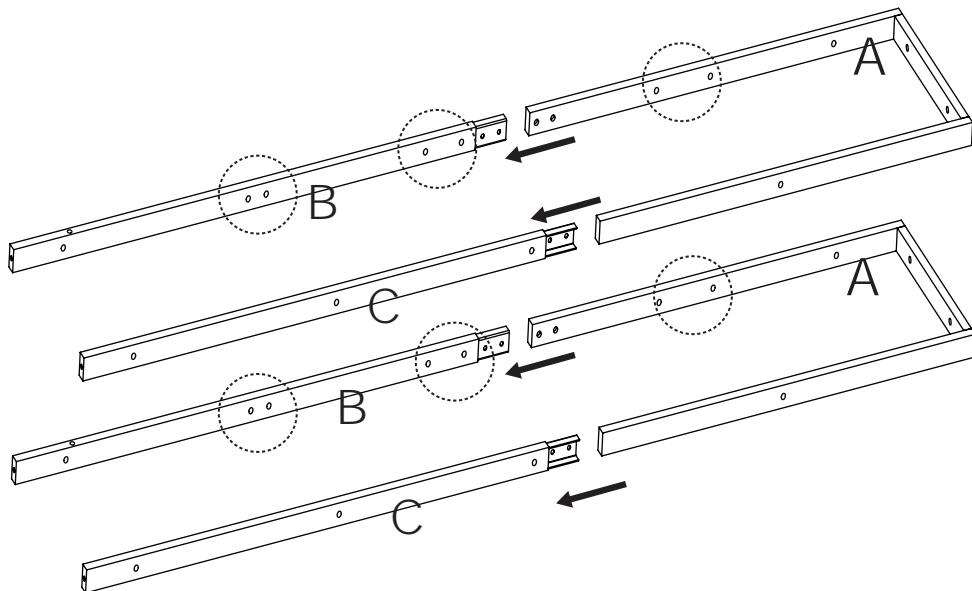


T (4mm Allen key)

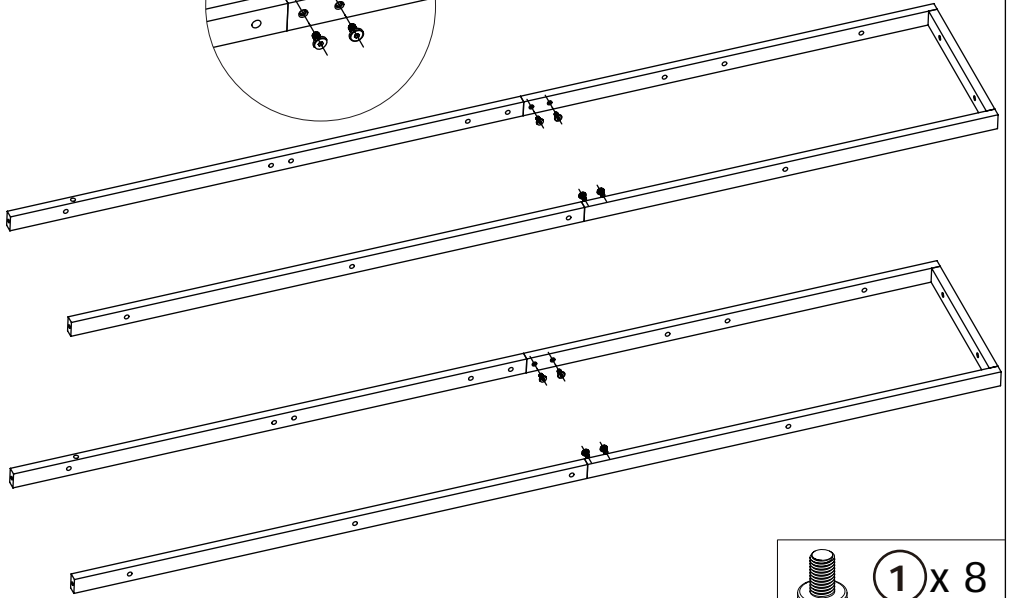
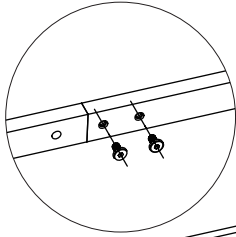


Step 1

Pay attention to the position and direction of components, especially screw holes

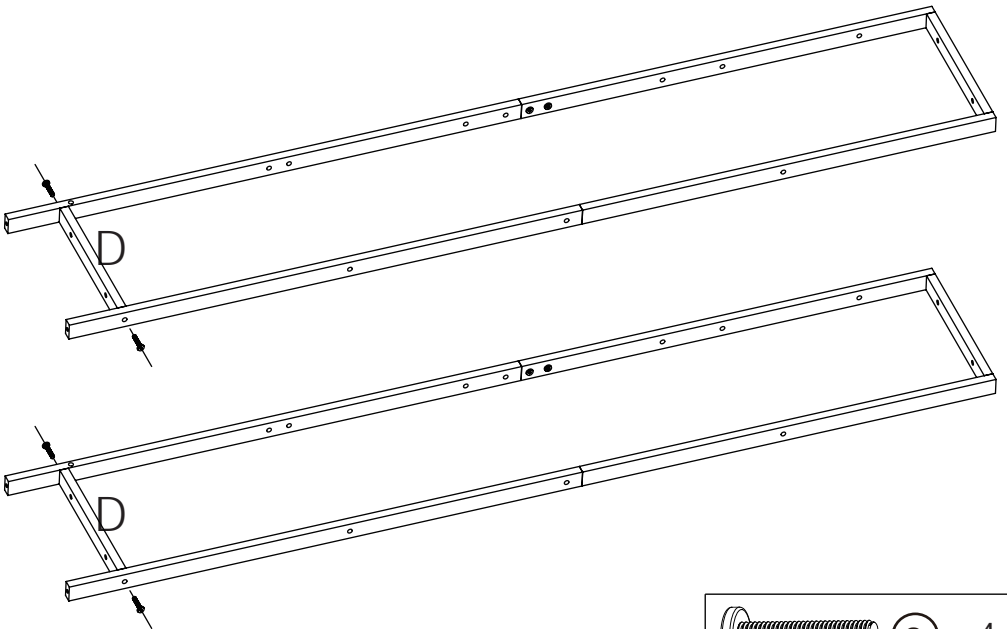


Step 2



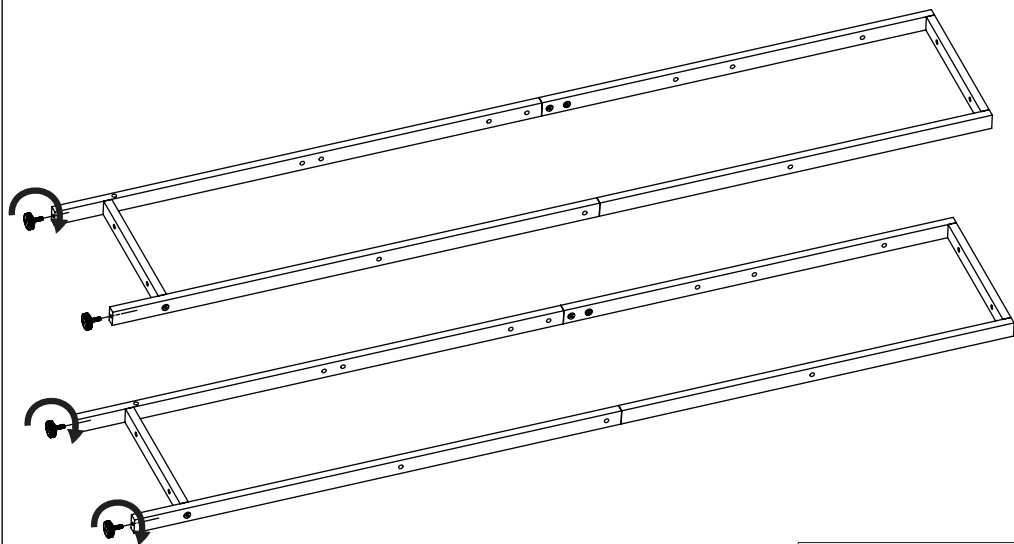
① x 8

Step 3



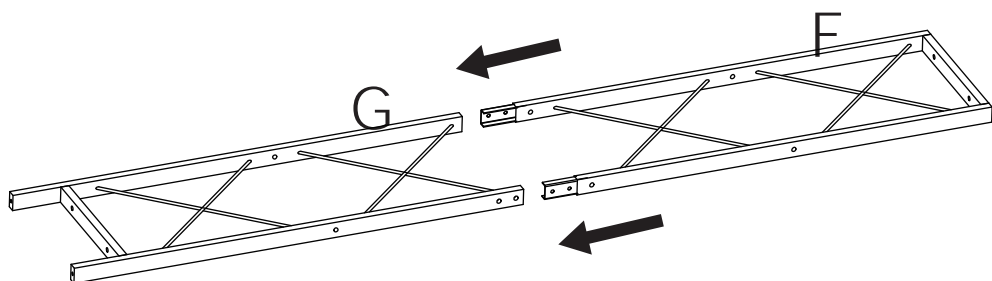
③ x 4

Step 4

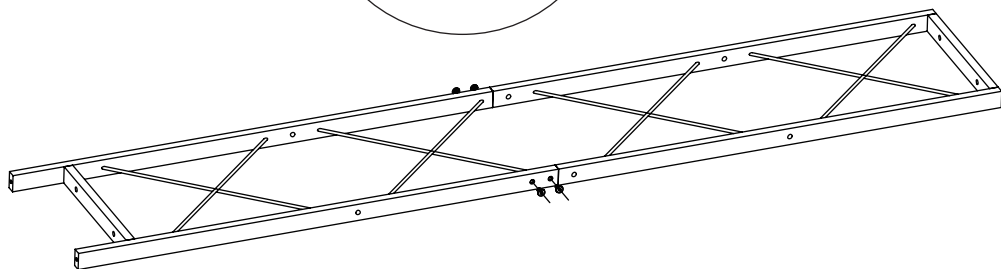
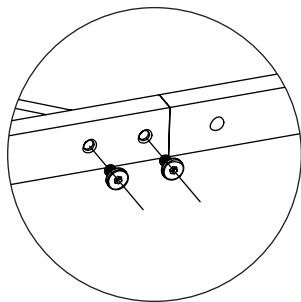


⑥ x 4

Step 5

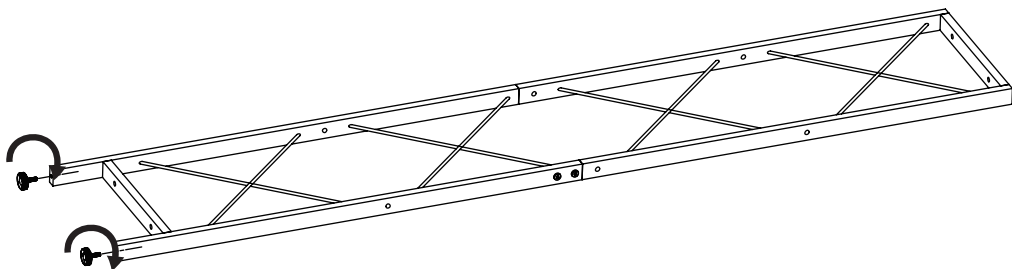


Step 6



① x 4

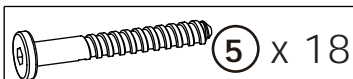
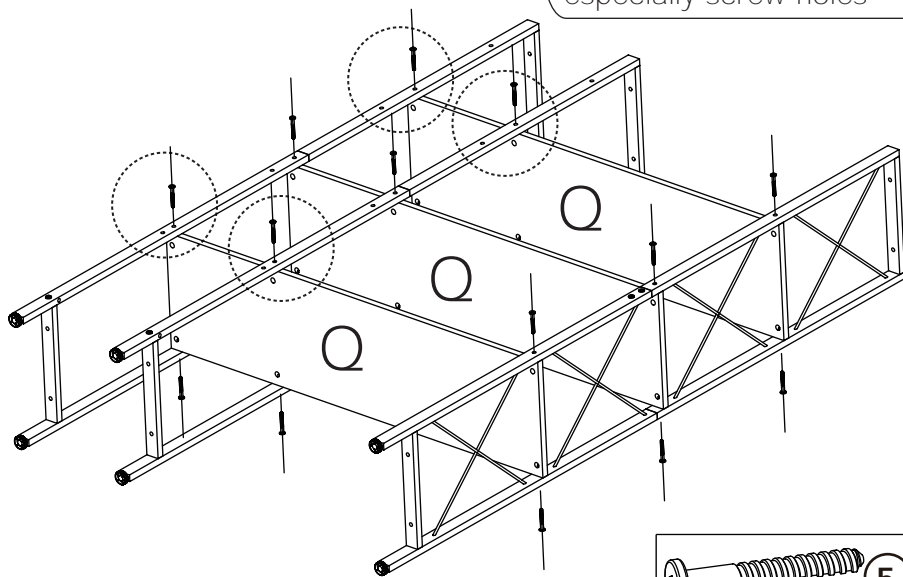
Step 7



⑥ x 2

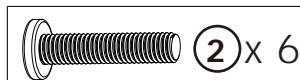
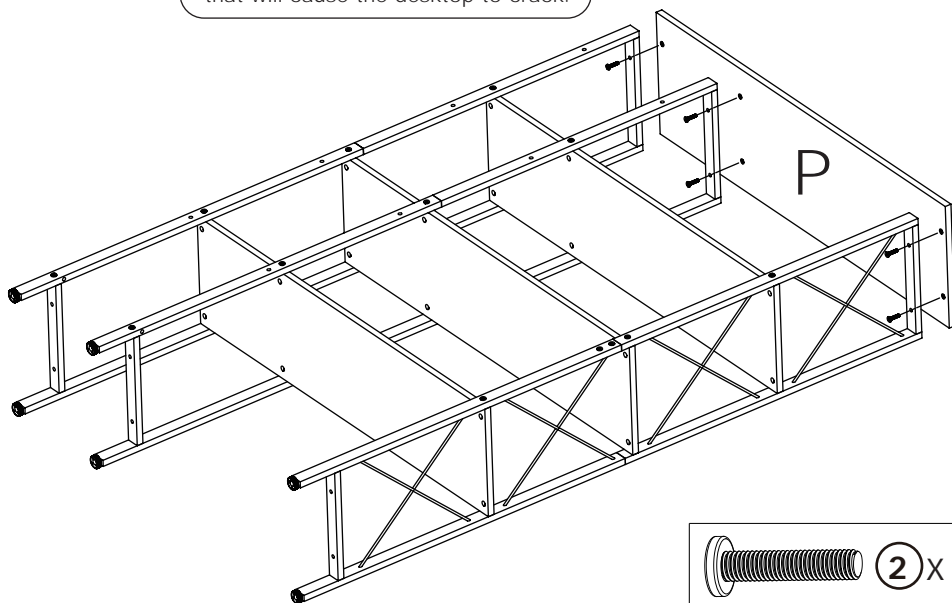
Step 8

Pay attention to the position and direction of components, especially screw holes

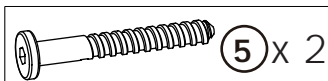
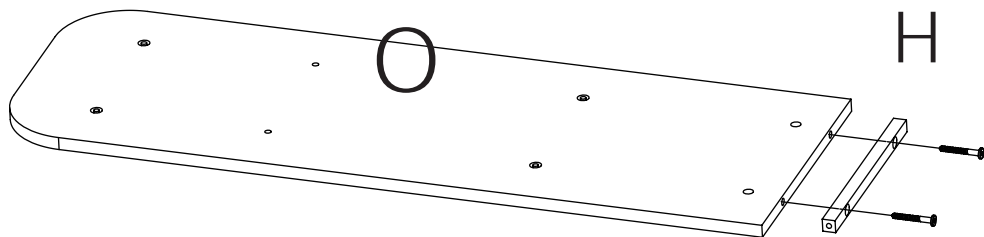
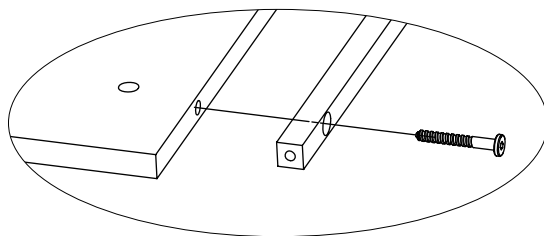


Step 9

Please ensure you are using the correct screws for the shelf panel assembly. If you use the wrong screw that will cause the desktop to crack.

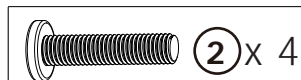
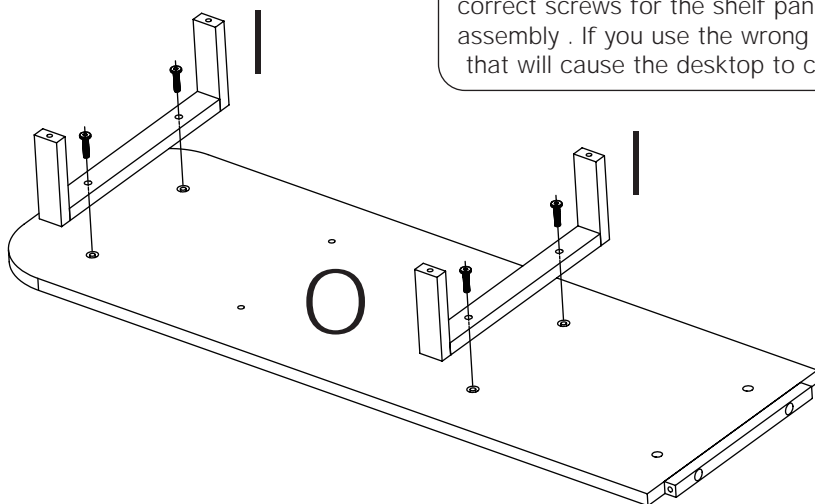


Step 10

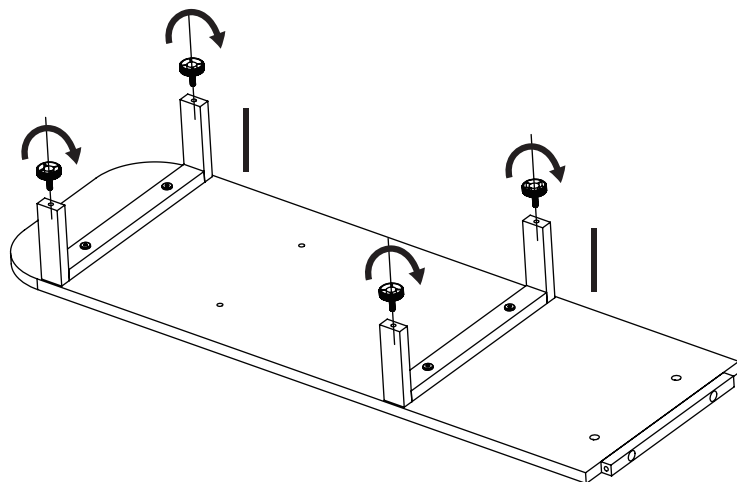


Step 11

Please ensure you are using the correct screws for the shelf panel assembly . If you use the wrong screw that will cause the desktop to crack.

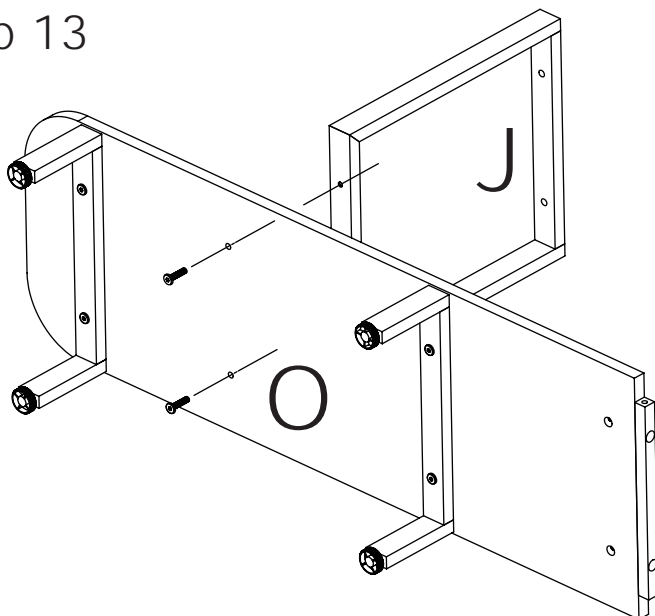


Step 12



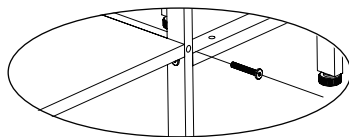
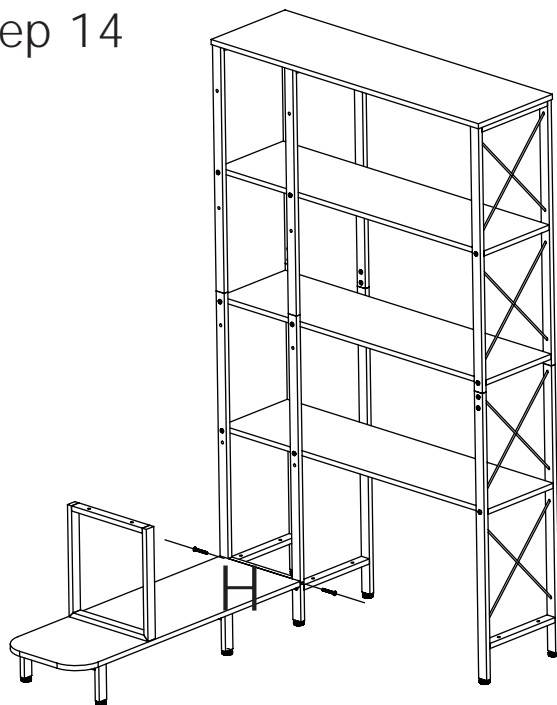
⑥ x 4

Step 13

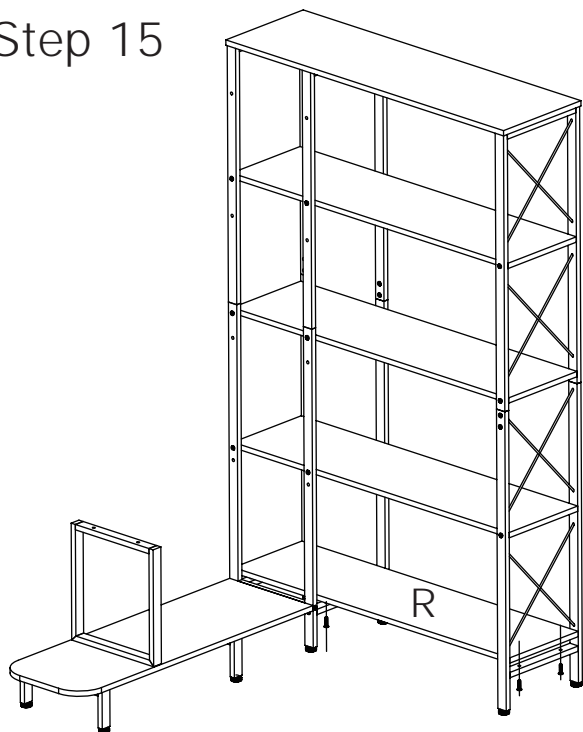


② x 2

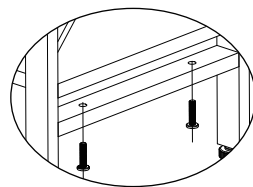
Step 14



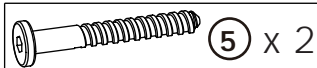
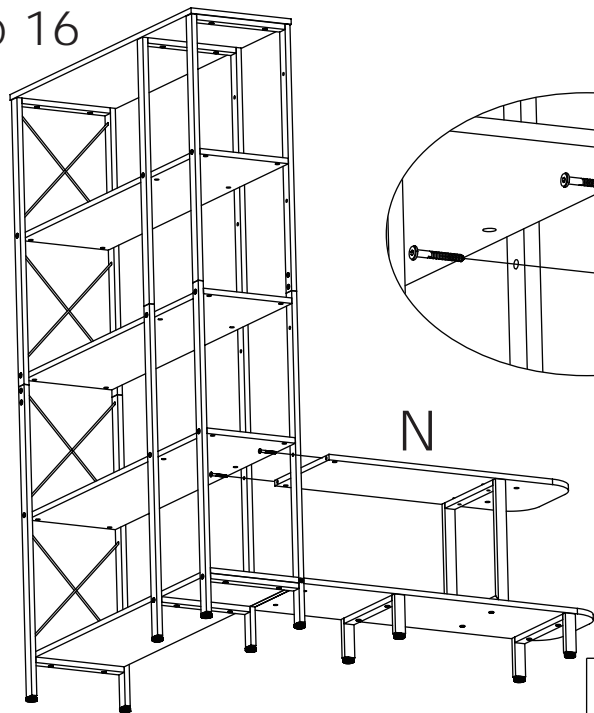
Step 15



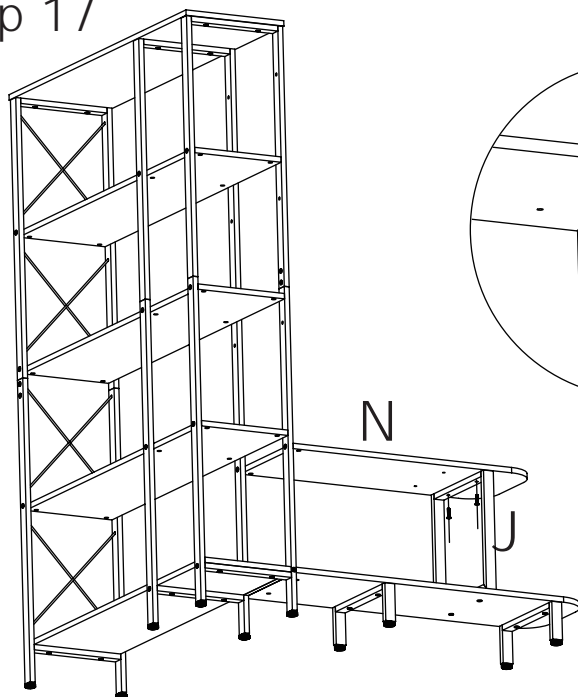
Please ensure you are using the correct screws for the shelf panel assembly. If you use the wrong screw that will cause the desktop to crack.



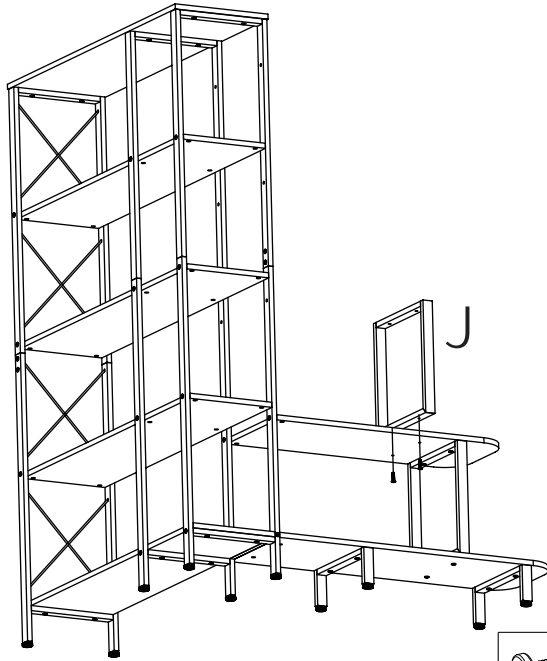
Step 16



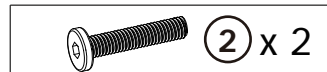
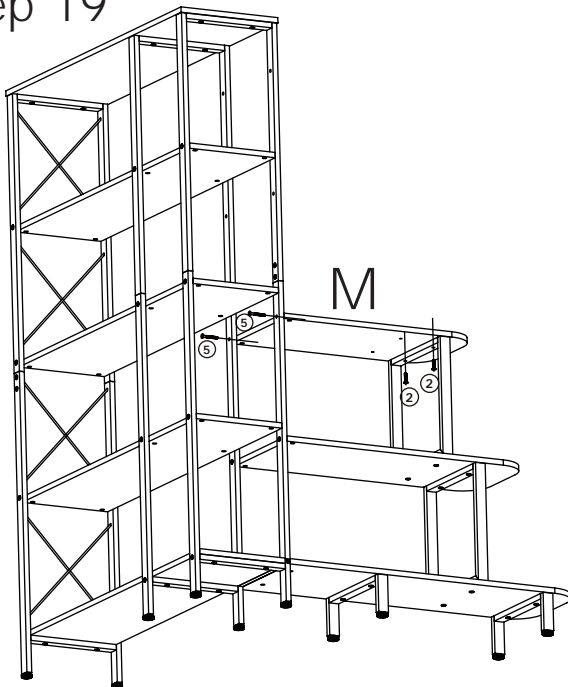
Step 17



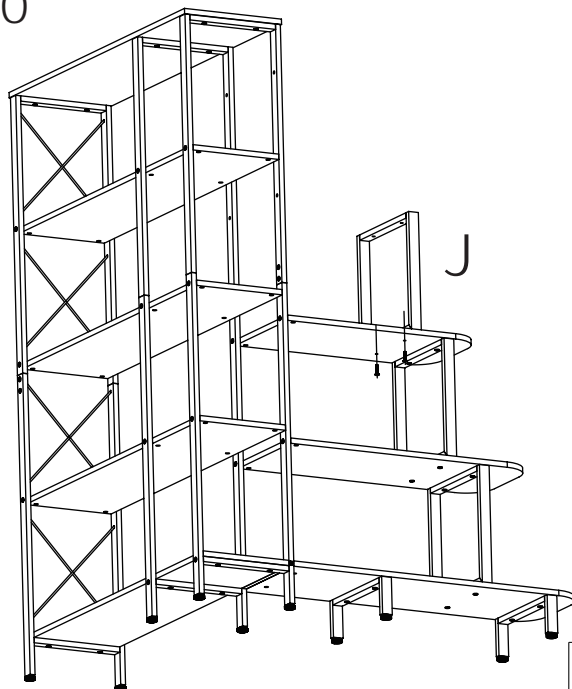
Step 18



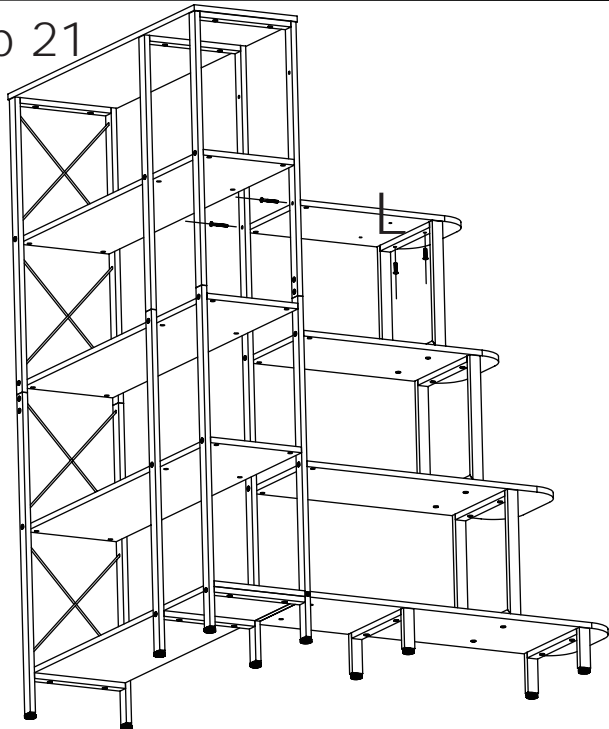
Step 19



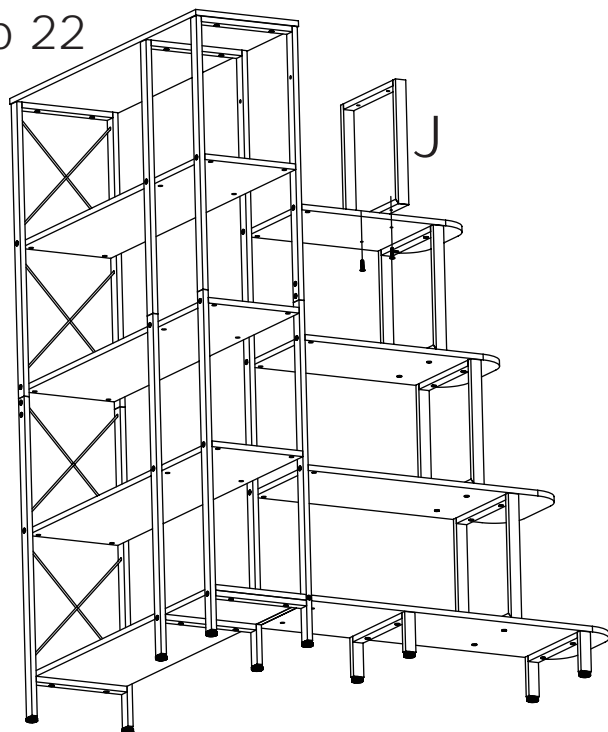
Step 20



Step 21

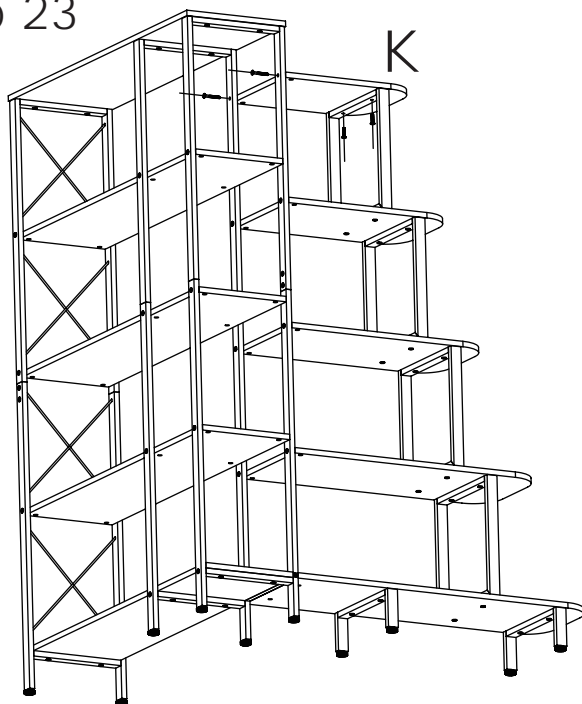


Step 22

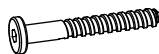


② x 2

Step 23

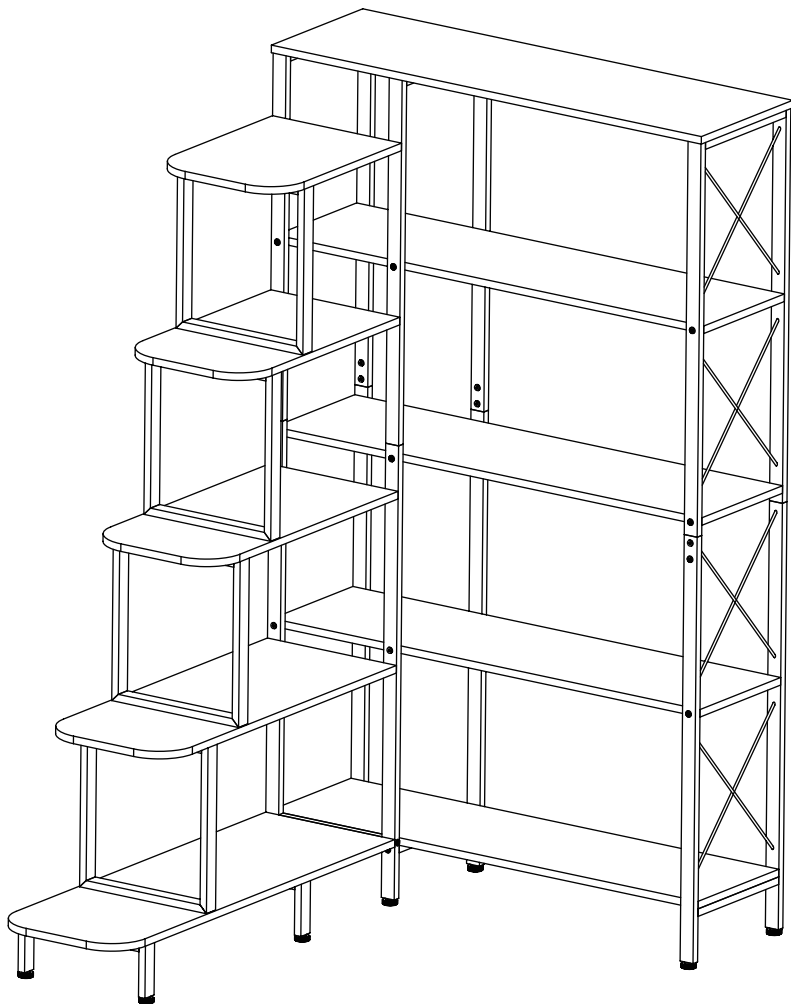


② x 2



⑤ x 2

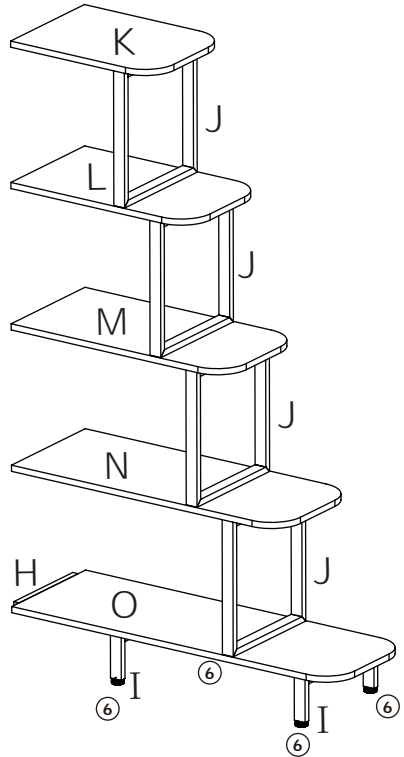
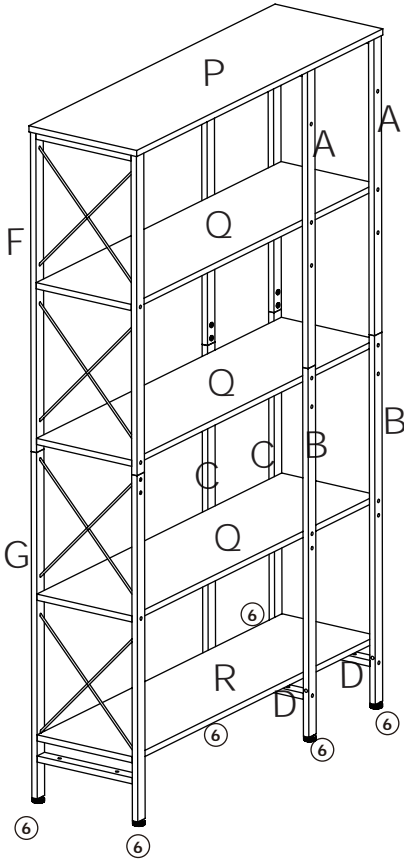
ASSEMBLE ACCOMPLISHED



SAFETY AND MAINTENANCE

Every 6 months , check all screws to ensure they are tight .
Do Not use the product unless all screws are firmly secured .

OVERVIEW





⚠ CAUTION

READ THE INSTRUCTION MANUAL BEFORE ASSEMBLING

- OPEN THE HARDWARE AS NEEDED
- ASSEMBLE IN AN AREA WITH PLENTY OF SPACE
- READ EACH STEP BEFORE BEGINNING CONSTRUCTION
- NEVER FORCE THE SCREWS OR FITTINGS
- KEEP THIS MANUAL FOR FUTURE REFERENCE
- TIGHTEN ALL THE SCREWS EVERY 6 MONTHS
- DO NOT SHIFT OR DRAG THE PRODUCT AFTER ASSEMBLY
- POWER TOOLS SHOULD NOT BE USED TO ASSEMBLE THIS PRODUCT

CLEANING AND CARE

- CLEAN SURFACES WITH A DRY OR DAMP CLOTH
- DO NOT USE ABRASIVE CLEANERS

	YES
	NO

① x 12



(M6 x12)

② x 32



(M6 x 25)

③ x 4



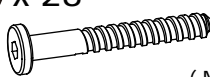
(M6 x 30)

④ x 2



(M6 x 45)

⑤ x 28



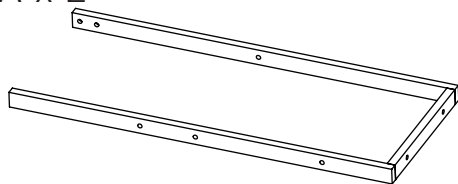
(M5 x50)

⑥ x 10

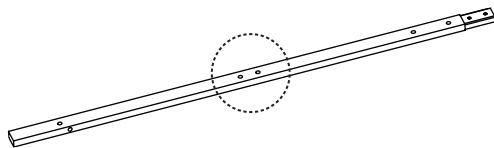


PARTS LIST

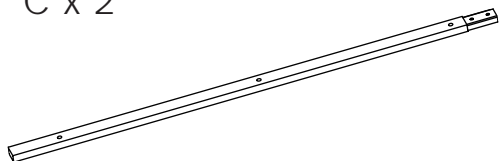
A x 2



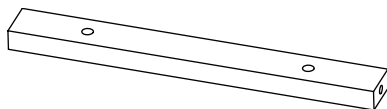
B x 2



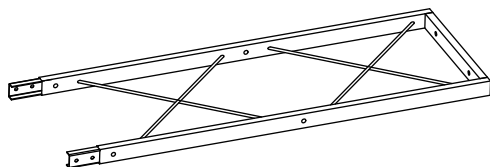
C x 2



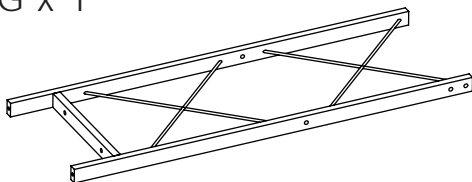
D x 2



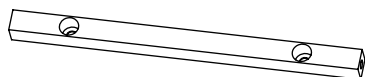
F x 1



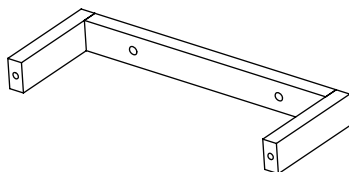
G x 1



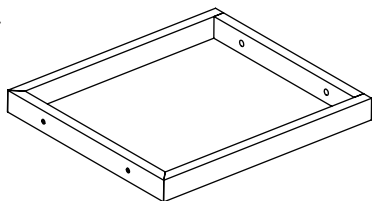
H x 1



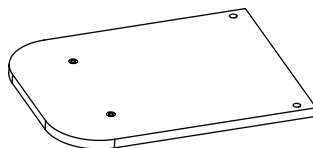
I x 2



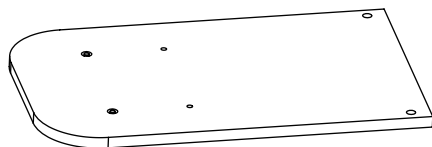
J x 4



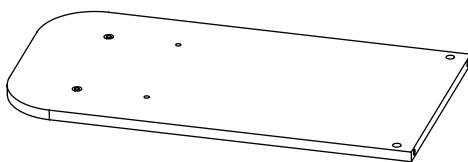
K x 1



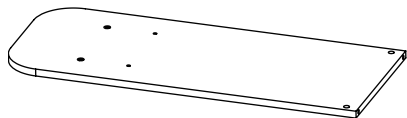
L x 1



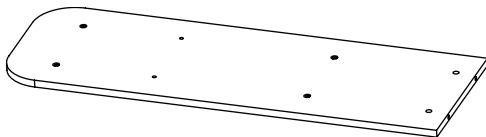
M x 1



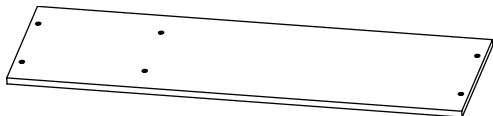
N x 1



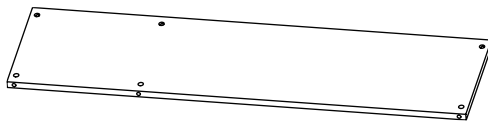
O x 1



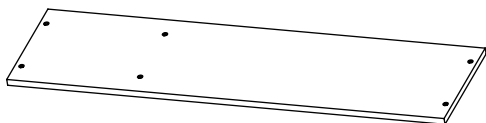
P x 1



Q x 3



R x 1

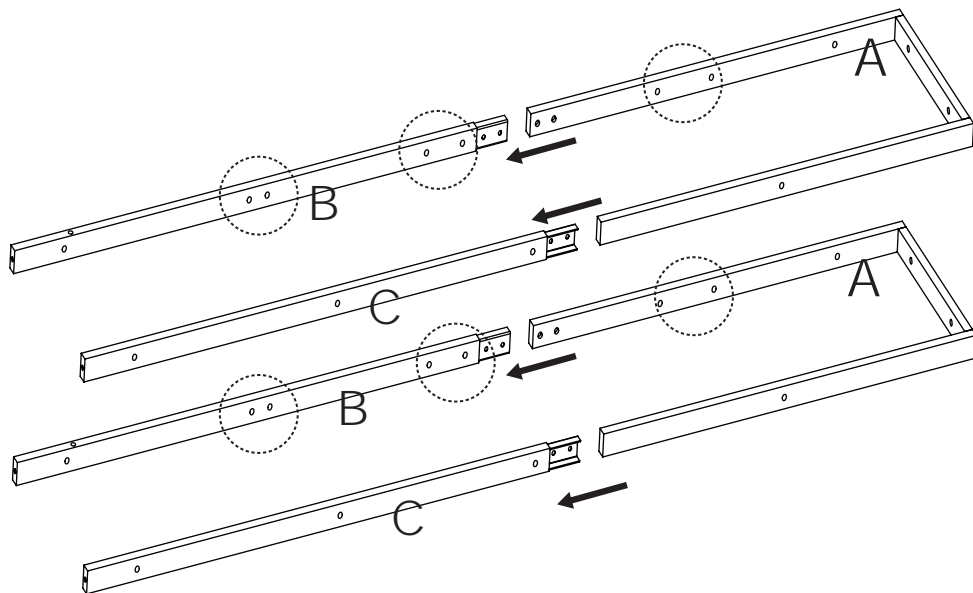


T (4mm Allen key)

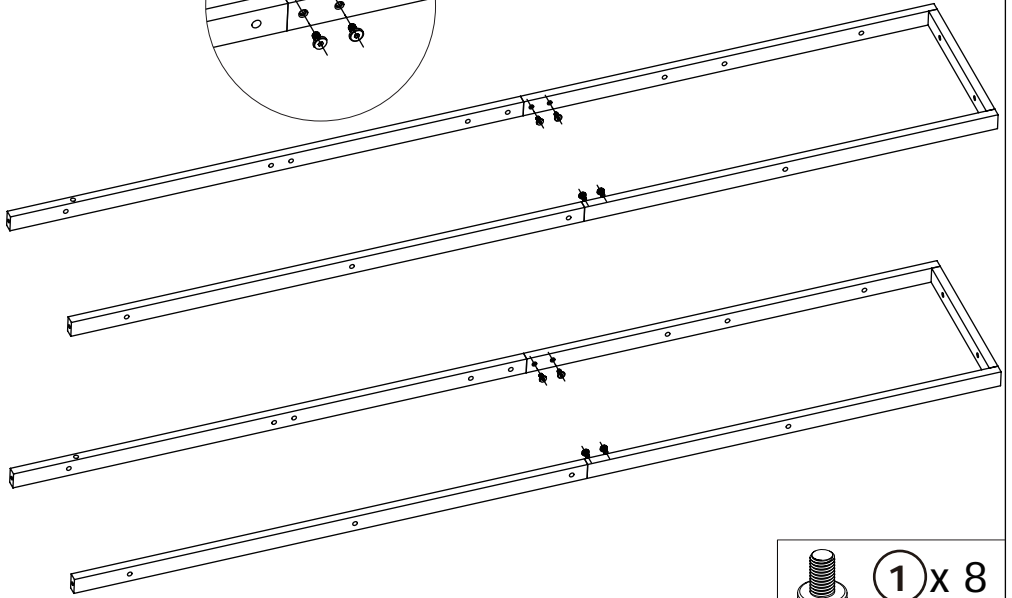
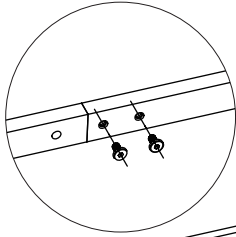


Step 1

Pay attention to the position and direction of components, especially screw holes

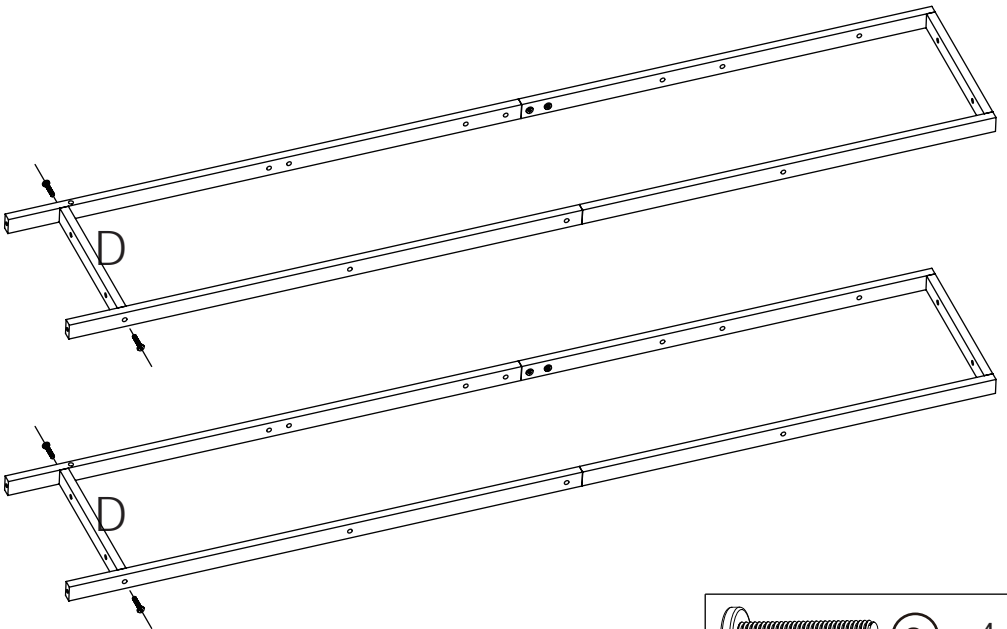


Step 2



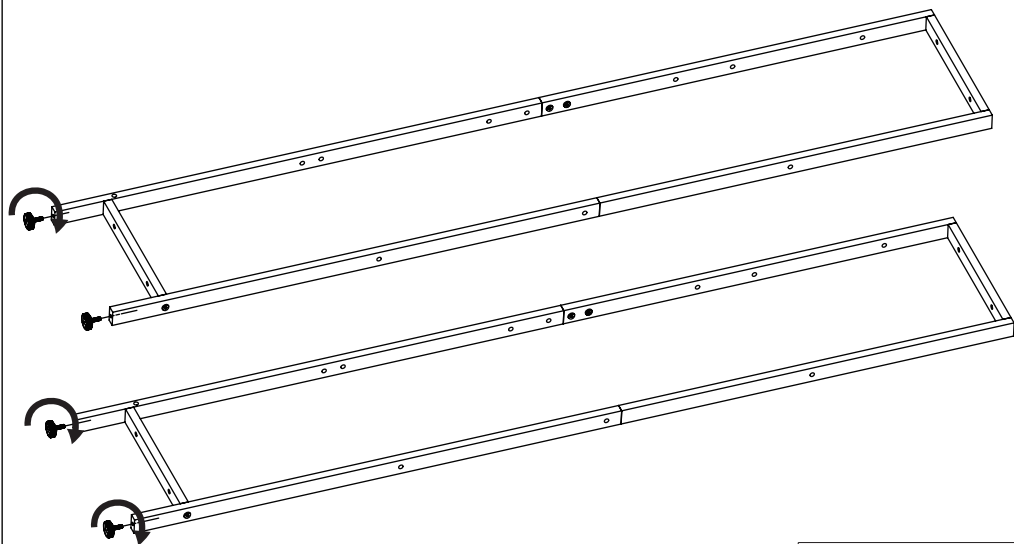
1 x 8

Step 3



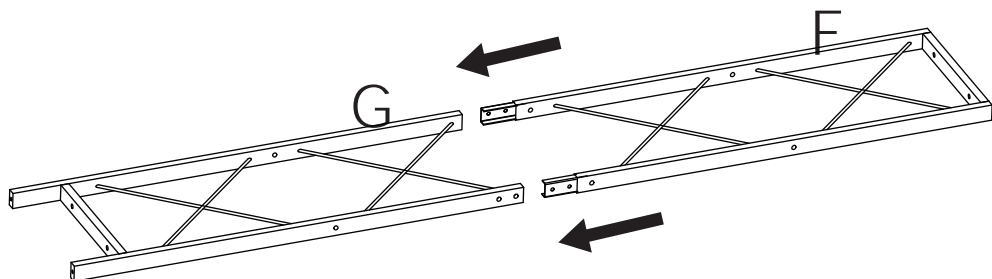
3 x 4

Step 4

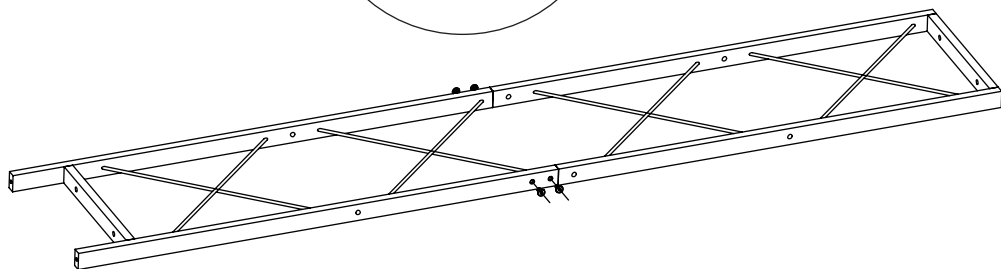
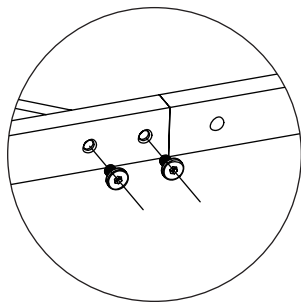


6 x 4

Step 5

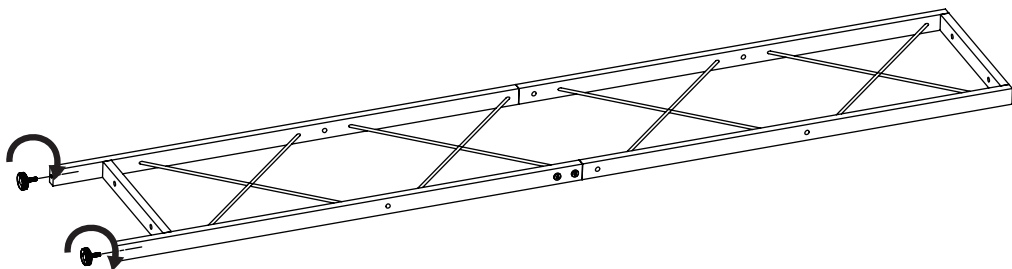


Step 6



① x 4

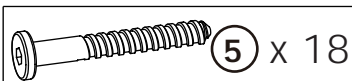
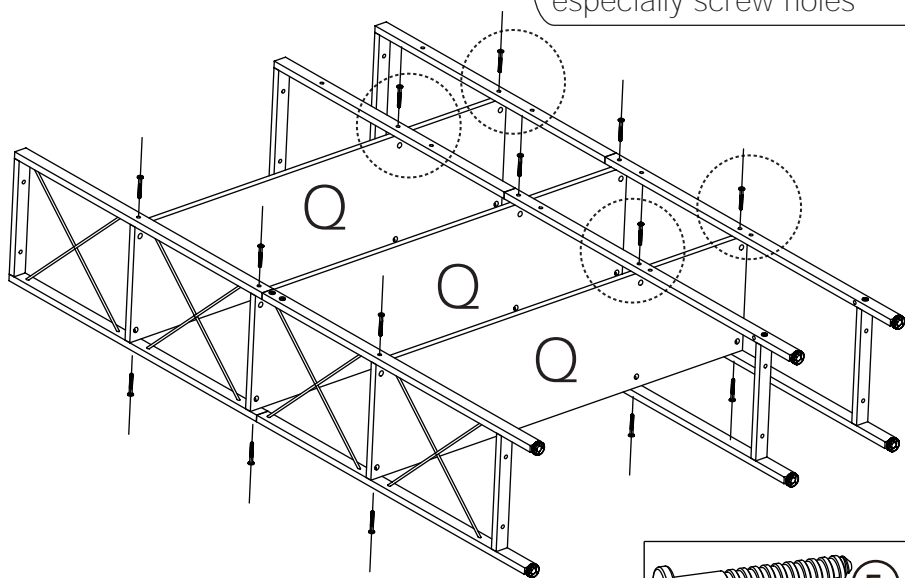
Step 7



⑥ x 2

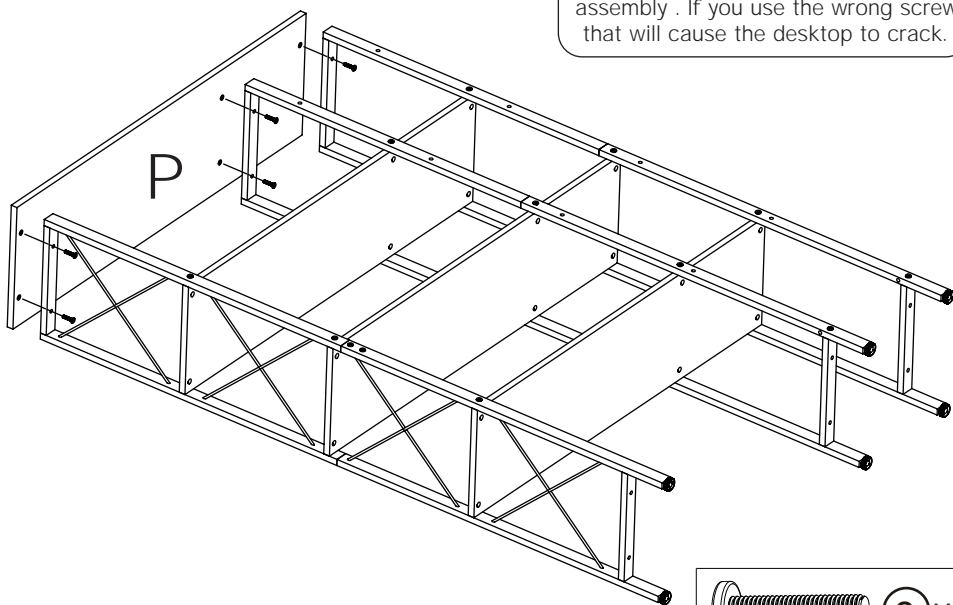
Step 8

Pay attention to the position and direction of components, especially screw holes

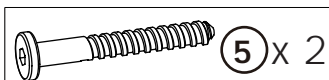
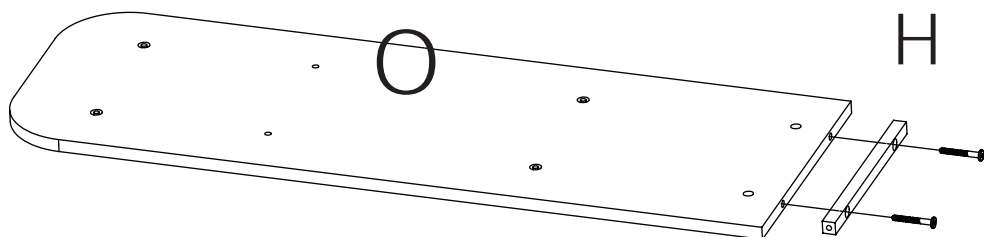
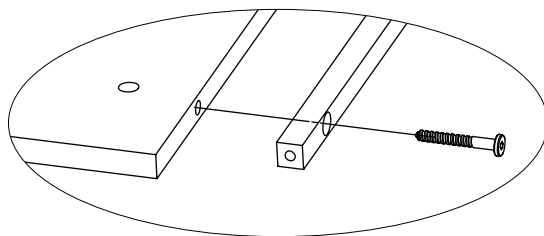


Step 9

Please ensure you are using the correct screws for the shelf panel assembly. If you use the wrong screw that will cause the desktop to crack.

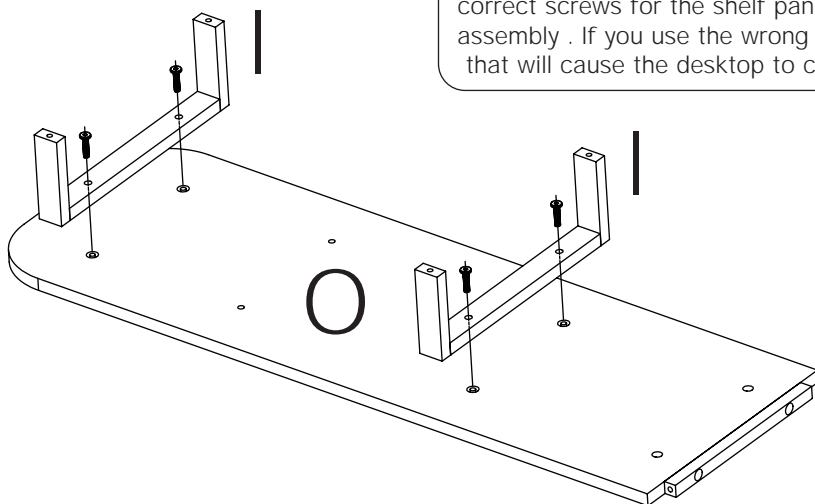


Step 10

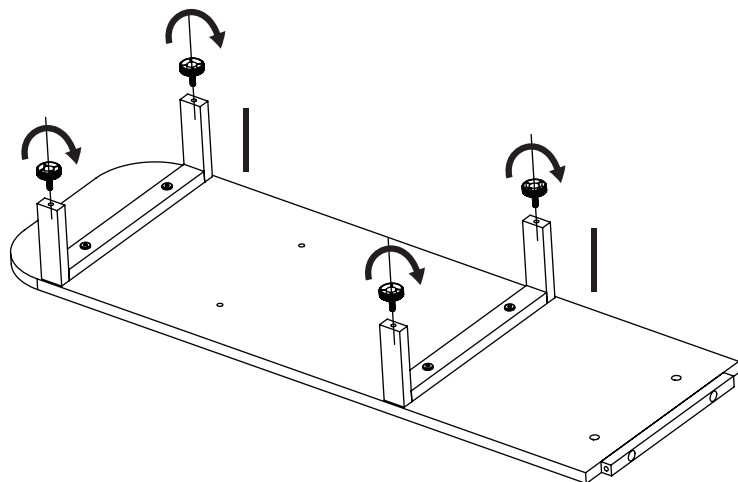


Step 11

Please ensure you are using the correct screws for the shelf panel assembly . If you use the wrong screw that will cause the desktop to crack.

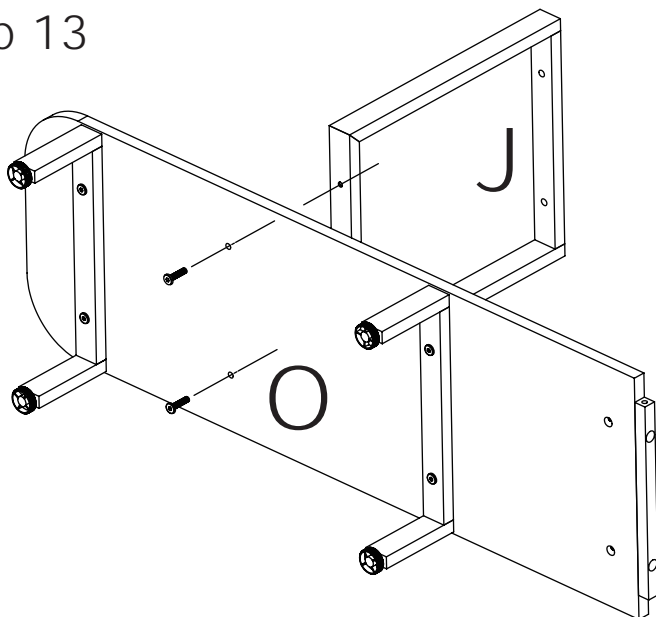


Step 12



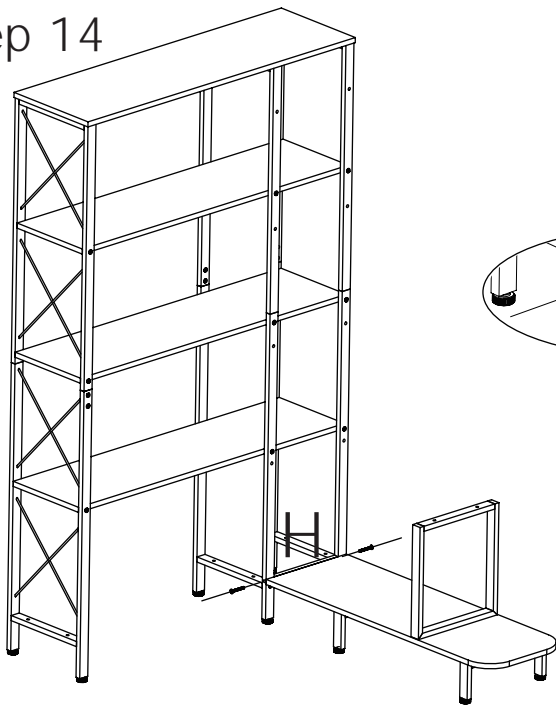
⑥ x 4

Step 13

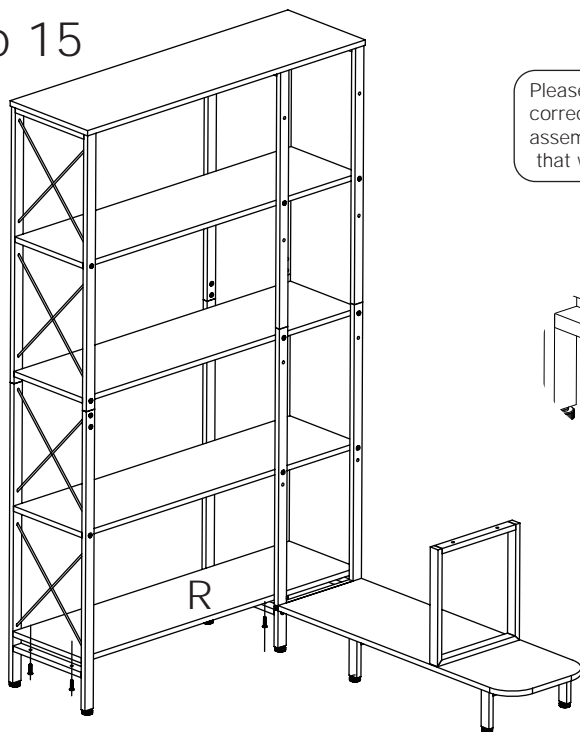


② x 2

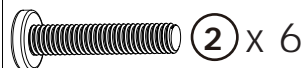
Step 14



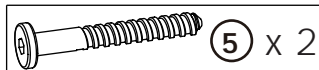
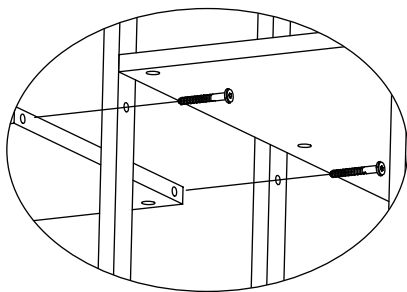
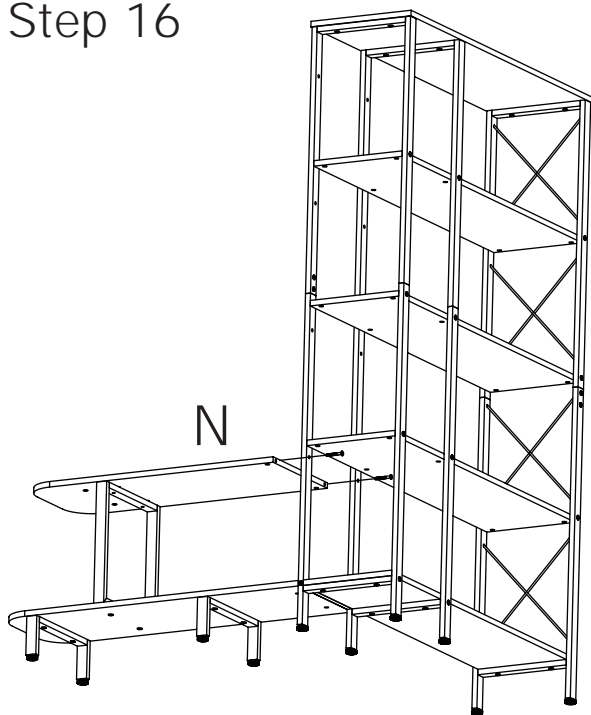
Step 15



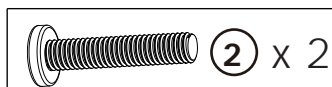
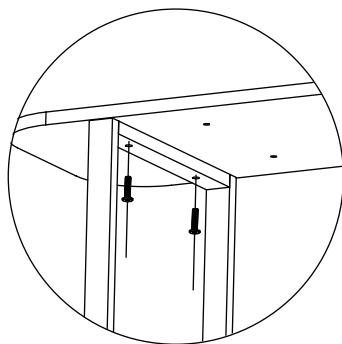
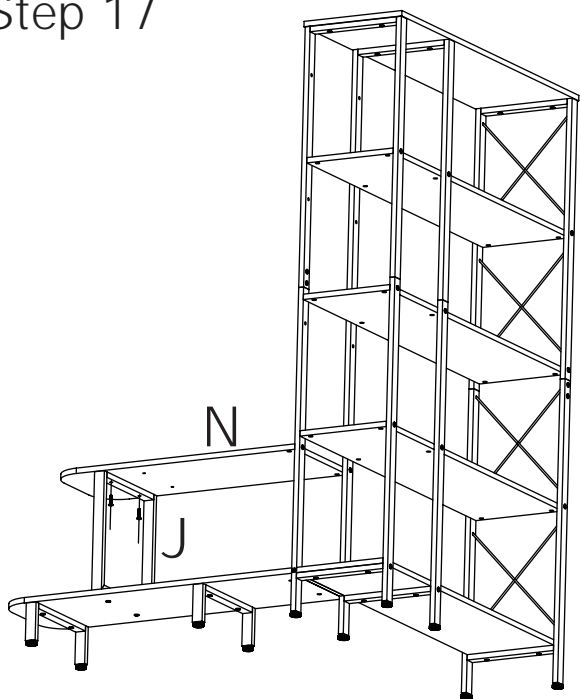
Please ensure you are using the correct screws for the shelf panel assembly. If you use the wrong screw that will cause the desktop to crack.



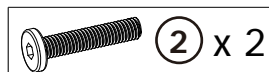
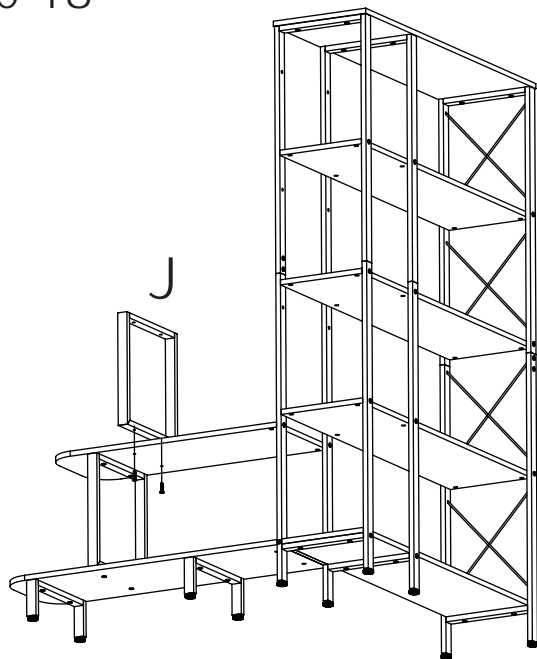
Step 16



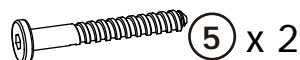
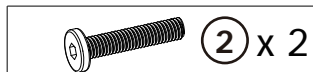
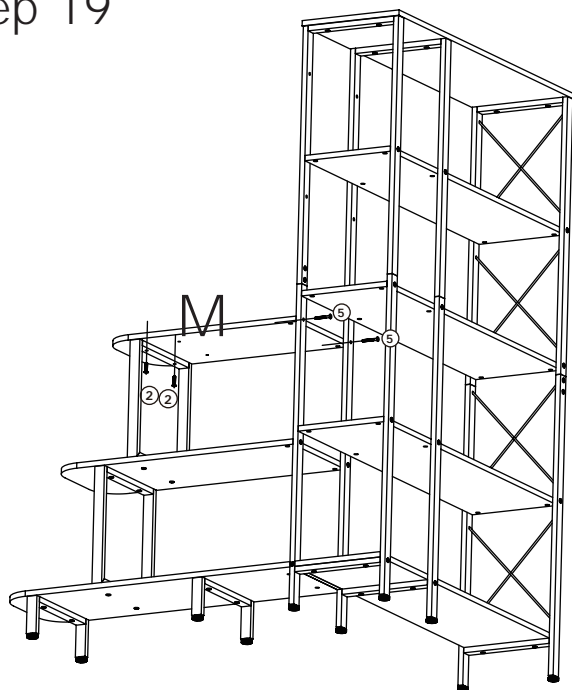
Step 17



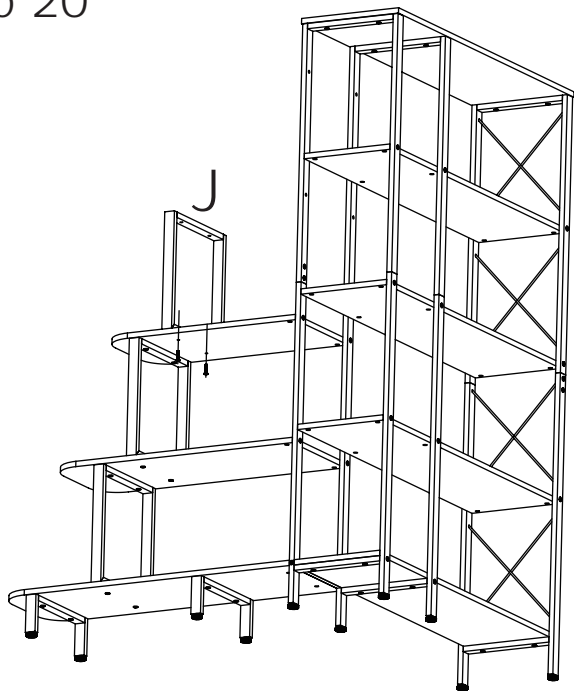
Step 18



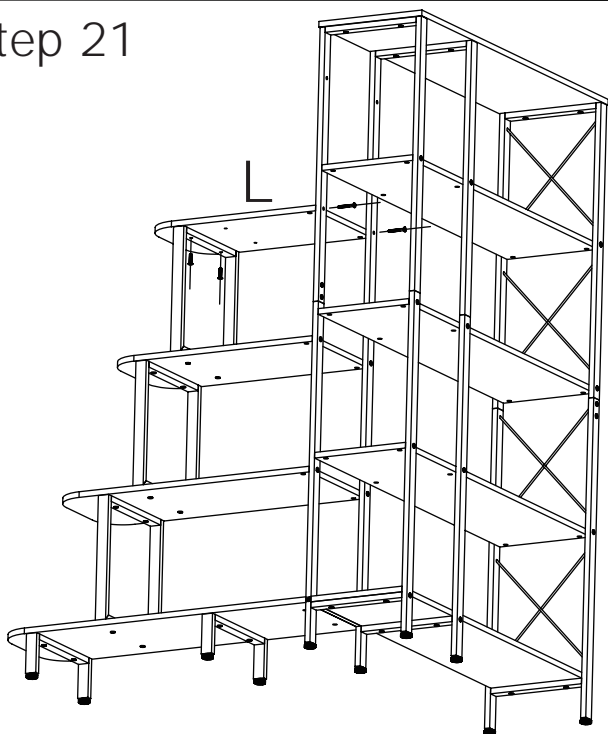
Step 19



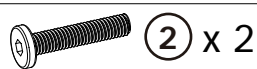
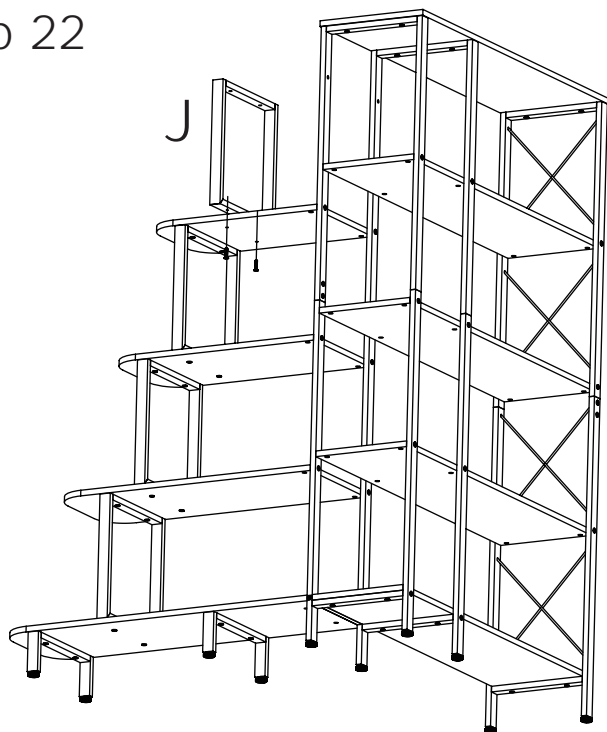
Step 20



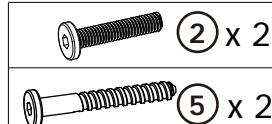
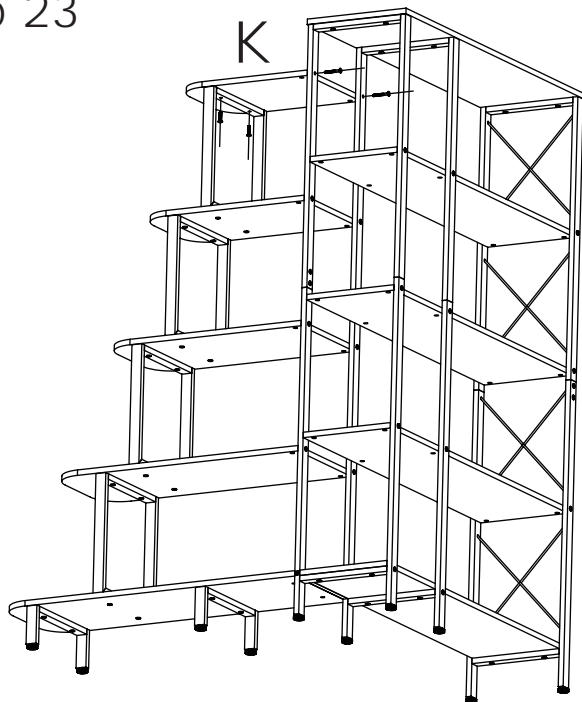
Step 21



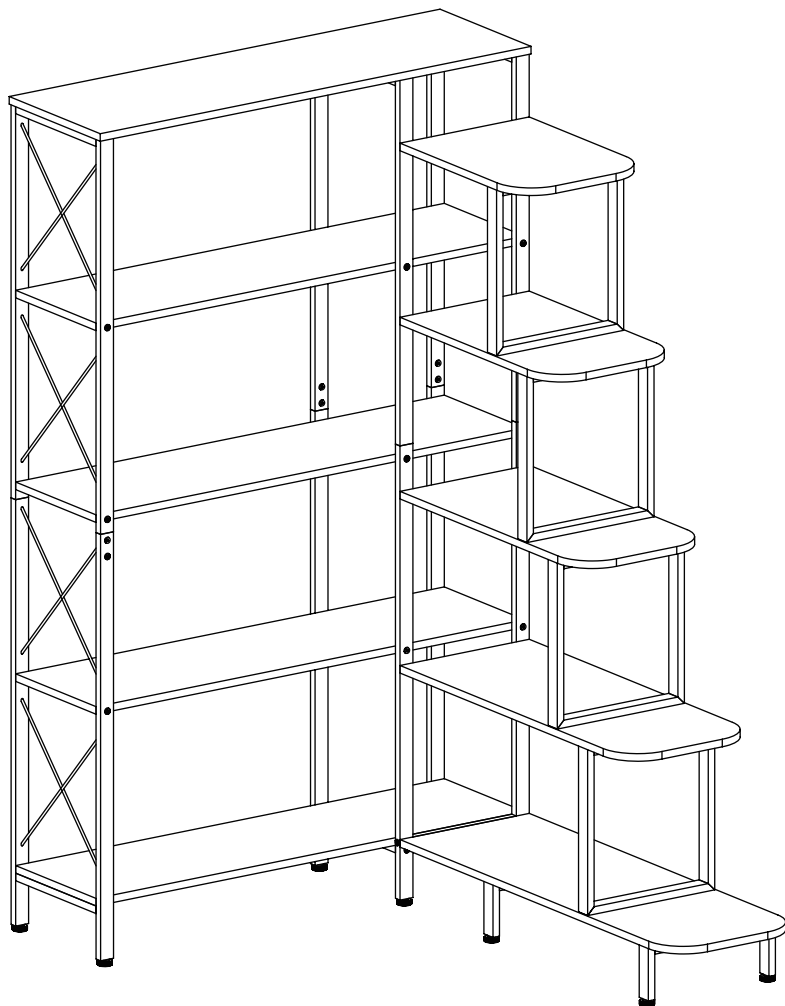
Step 22



Step 23



ASSEMBLE ACCOMPLISHED



SAFETY AND MAINTENANCE

Every 6 months , check all screws to ensure they are tight .
Do Not use the product unless all screws are firmly secured .