

LIGHTING



Pendant Lights

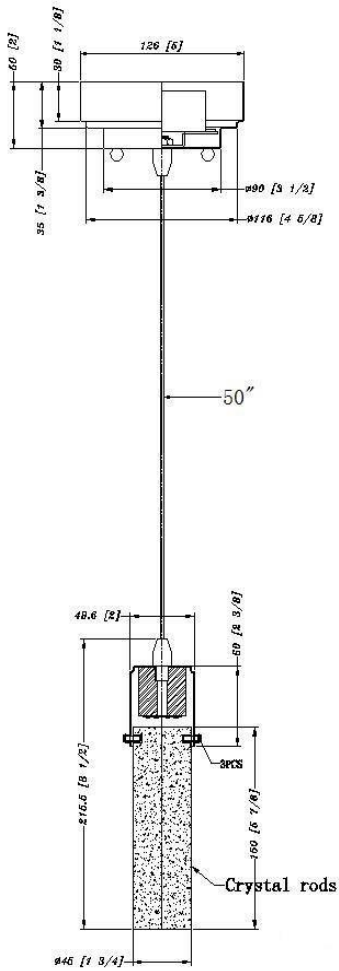


LIGHT SPECIFICATIONS LED PENDANT LIGHT

SPECIFICATIONS



•WATTS	8W
•LUMENS	400LM
•COLOR TEMPERATURE	3000K
•CRI	RA>80
•VOLTAGE	120V TRIAC DIMMABLE
•IP RATED	ETL DAMP LOCATION
•OPERATING TEMPRATURE	-20~45°C
•MATERIAL	STEEL+GLASS
•FINISH	BRUSHED NICKEL
•MOUNTING	PENDANT
•SHADE SHAPE	ROUND
•SHADE MATERIAL	GLASS
•SHADE COLOR	SEEDY GLASS
•WARRANTY	5-YEAR LIMITED
•FIXTURE SIZE	D5"XH9"
• CASE QUANTITY	6 PACK
• MASTER CARTON SIZE	19X17X13.5CM
• NET WEIGHT	1.12KG
• GROSS WEIGHT	1.22KG
• MASTER CARTON SIZE	52.5X20X29CM
• NET WEIGHT	6.6KG
• GROSS WEIGHT	8.04KG



LIGHT SPECIFICATIONS LED PENDANT LIGHT

SPECIFICATIONS



•WATTS	8W
•LUMENS	400LM
•COLOR TEMPERATURE	3000K
•CRI	RA>80
•VOLTAGE	120V TRIAC DIMMABLE
•IP RATED	ETL DAMP LOCATION
•OPERATING TEMPRATURE	-20~45°C
•MATERIAL	STEEL+GLASS
•FINISH	BLACK
•MOUNTING	PENDANT
•SHADE SHAPE	CYLINDER
•SHADE MATERIAL	GLASS
•SHADE COLOR	SEEDY GLASS
•WARRANTY	5-YEAR LIMITED
•FIXTURE SIZE	D5"XH9"
• CASE QUANTITY	6 PACK
• MASTER CARTON SIZE	19X17X13.5CM
• NET WEIGHT	1.12KG
• GROSS WEIGHT	1.22KG
• MASTER CARTON SIZE	52.5X20X29CM
• NET WEIGHT	6.6KG
• GROSS WEIGHT	8.04KG

