

DINING TABLE ASSEMBLY INSTRUCTION

Thank you for purchasing this quality product. Be sure to check all packing material carefully for small parts which may have come loose inside the carton during shipment. Separate, identify and count all parts and hardware. Compare with the parts list to be sure all parts are present.

IMPORTANT : PLEASE READ INSTRUCTION BEFORE STARTING THE ASSEMBLY.

"DO NOT TIGHTEN SCREWS UNTIL COMPLETELY ASSEMBLED"

"DO NOT OVERTIGHT ANY HARDWARE"

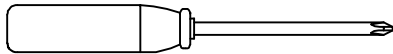
WARNING : SMALL PARTS AND HARDWARE NOT FOR CHILDREN UNDER 3 YEARS. ADULT ASSEMBLY REQUIRED.

TABLE OF CONTENTS

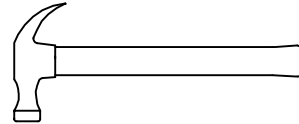
HARDWARES LIST	PAGE 2
PARTS LIST	PAGE 3
PARTS' LOCATION	PAGE 4
ASSEMBLY STEPS	PAGE 5-8
ASSEMBLY COMPLETED	PAGE 8

ASSEMBLY TOOLS REQUIRED

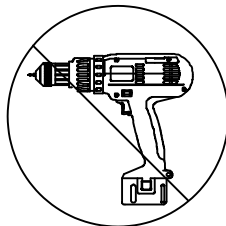
1. Screwdriver (not provide)



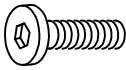






2. Hammer (not provide)



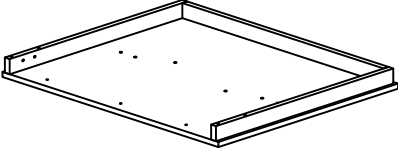
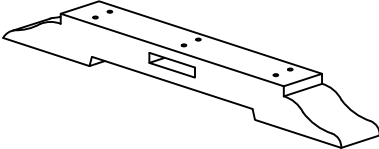
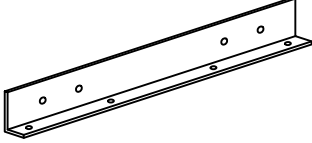
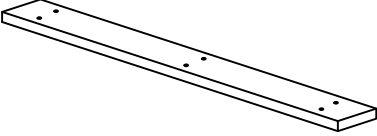
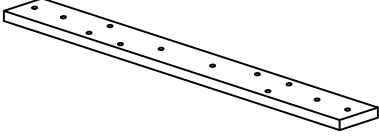
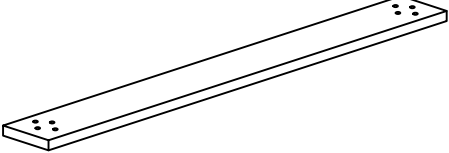
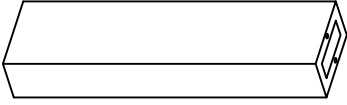
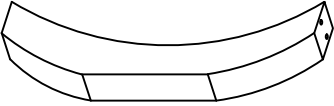
Skip the power drill this time.



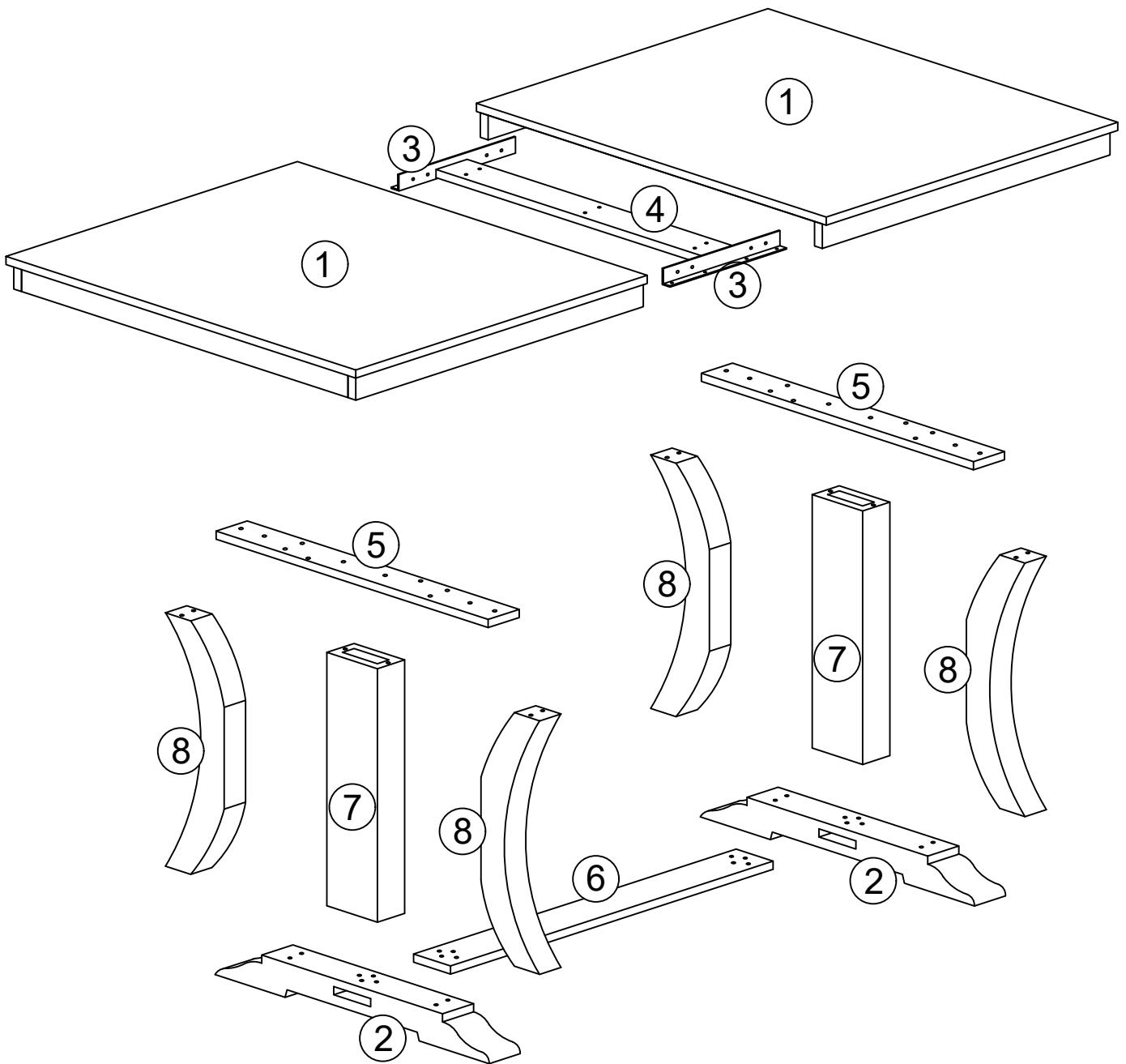
HARDWARES LIST

ITEM	DESCRIPTION	DRAWING	QTY
A	JCBC SCREW M6 x 15MM		16 PCS
B	JCBC SCREW M6 x 30MM (BLACK)		18 PCS
C	JCBC SCREW M6 x 45MM		16 PCS
D	JCBC SCREW M6 x 90MM		12 PCS
E	SPRING WASHER M6 x 12MM		46 PCS
F	FLAT WASHER M6 x 19MM		46 PCS
G	M4 ALLEN KEY (100MM)		1 PC

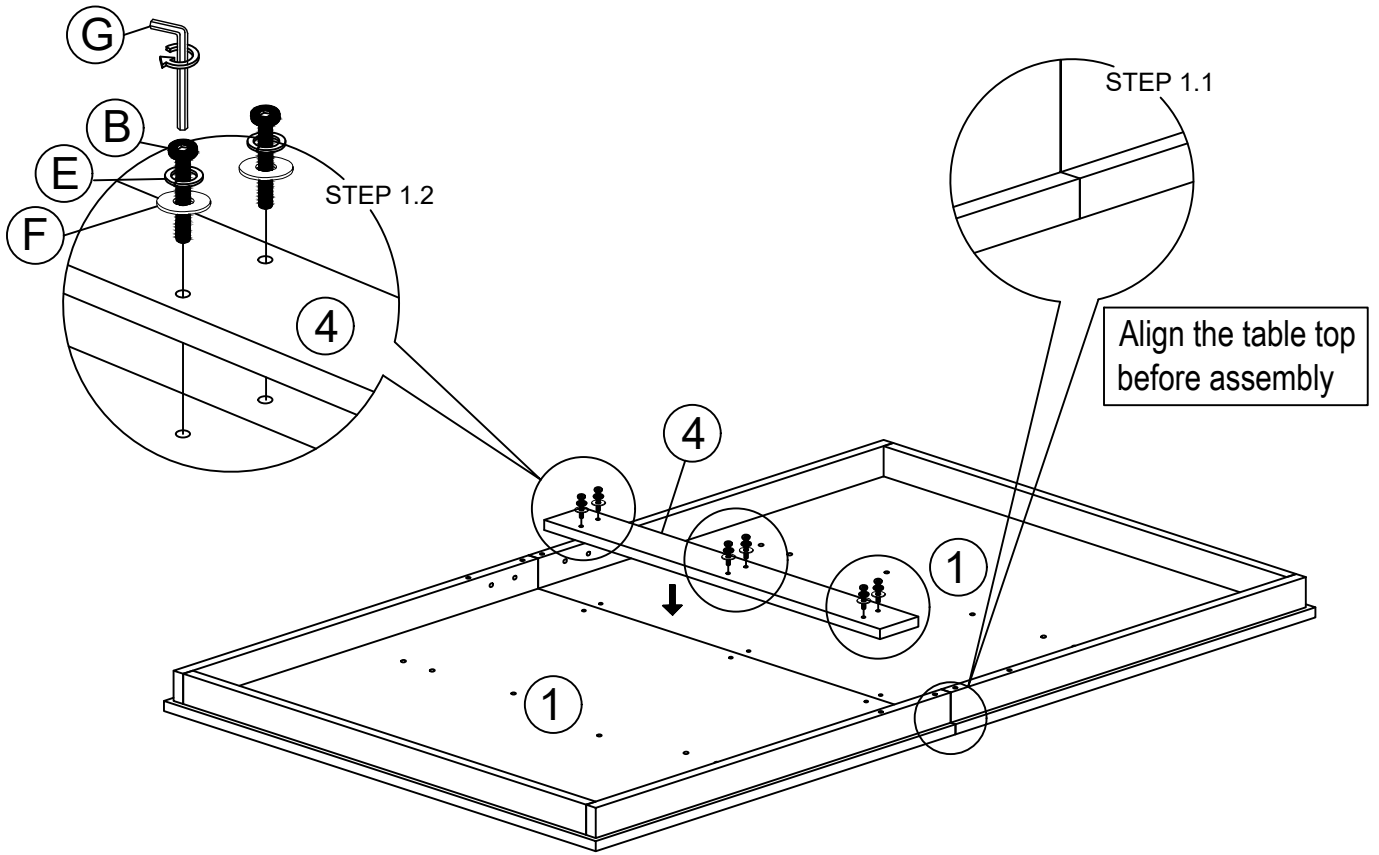
PARTS LIST

ITEM	DESCRIPTION	DRAWING	QTY
1	TABLE TOP		2 PCS
2	LEG		2 PCS
3	SUPPORT SIDE RAIL		2 PCS
4	CENTER SUPPORT		1 PC
5	TABLE SUPPORT		2 PCS
6	LEG SUPPORT		1 PC
7	PEDESTAL		2 PCS
8	PEDESTAL SUPPORT		4 PCS

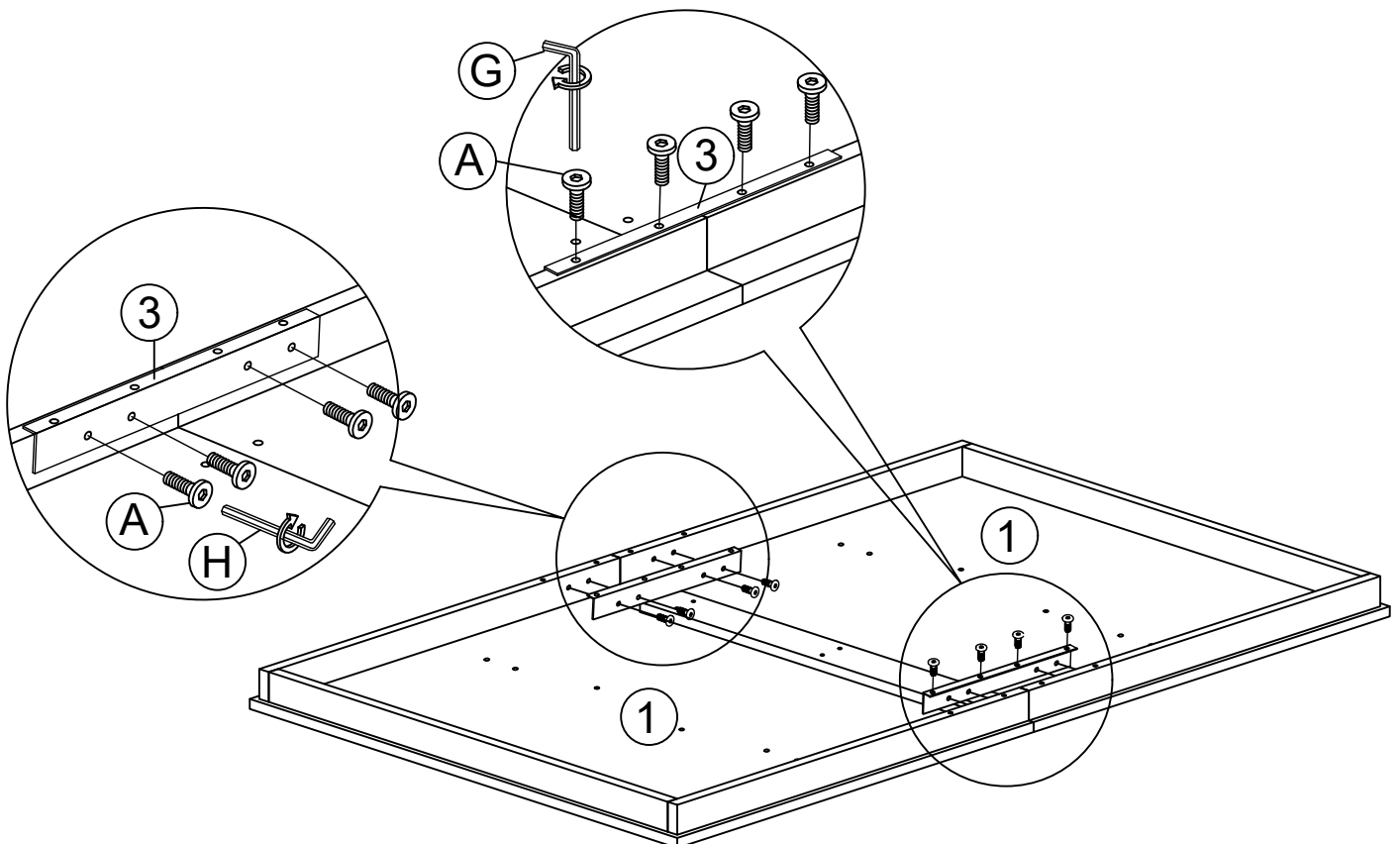
PARTS ' LOCATION



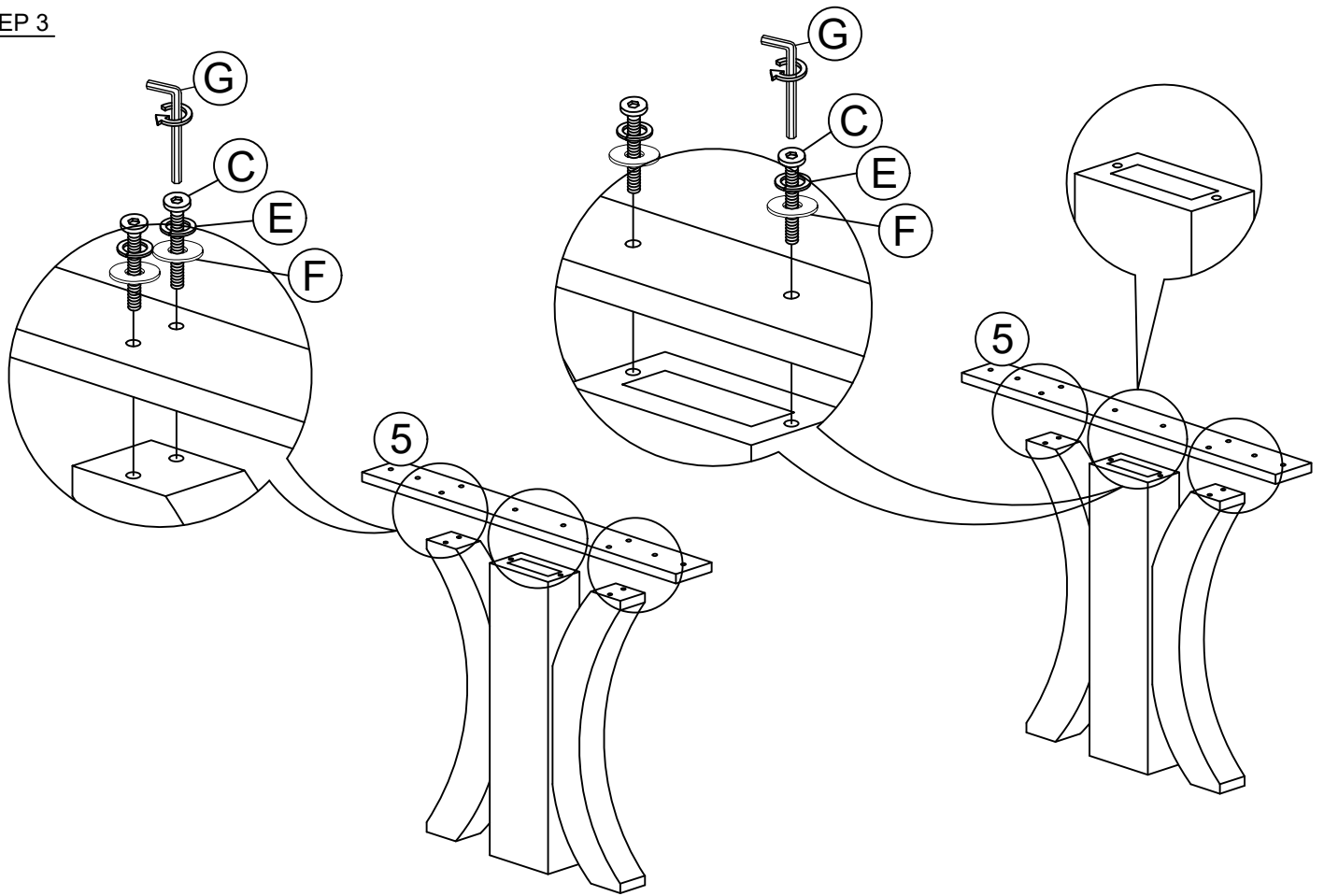
STEP 1



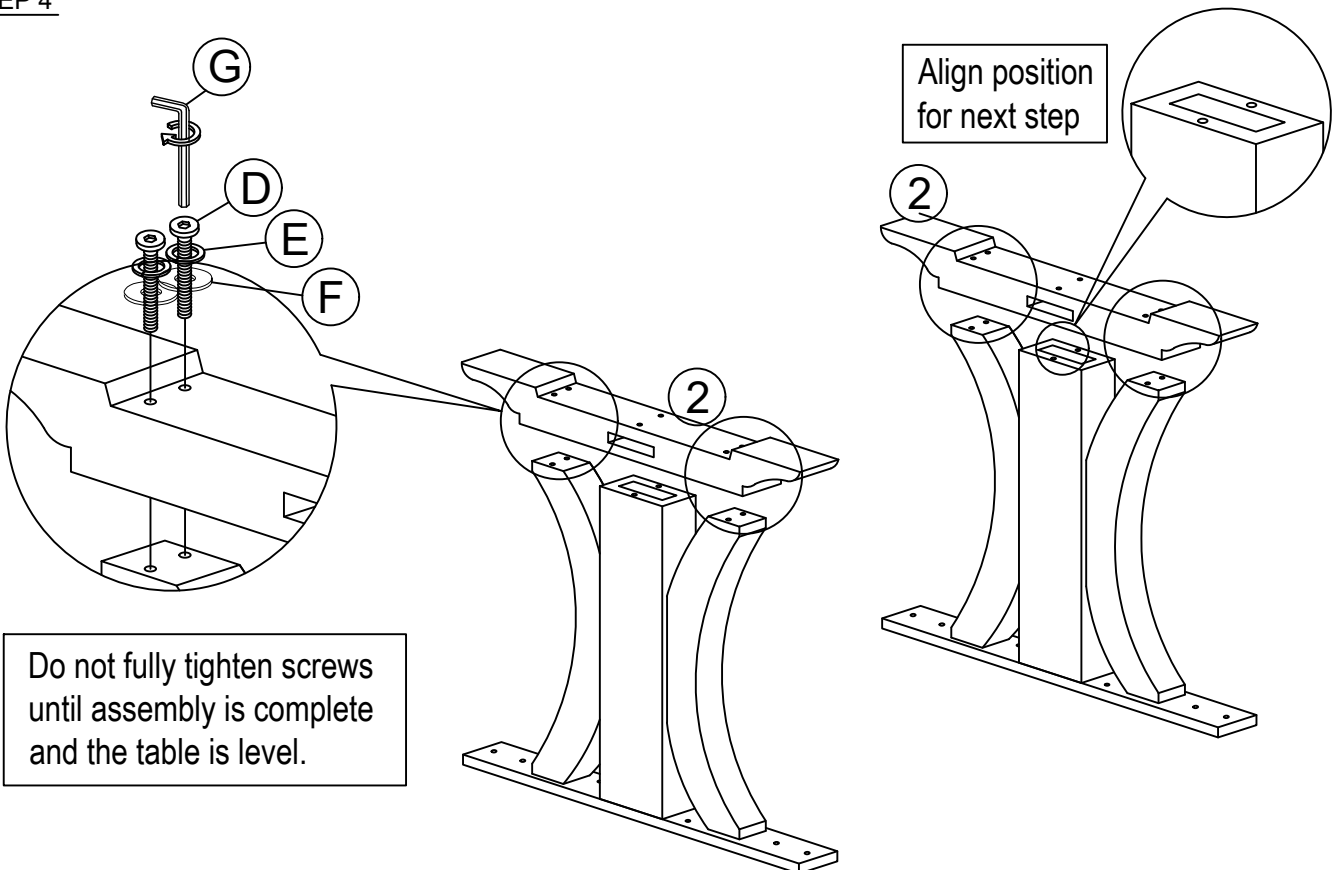
STEP 2



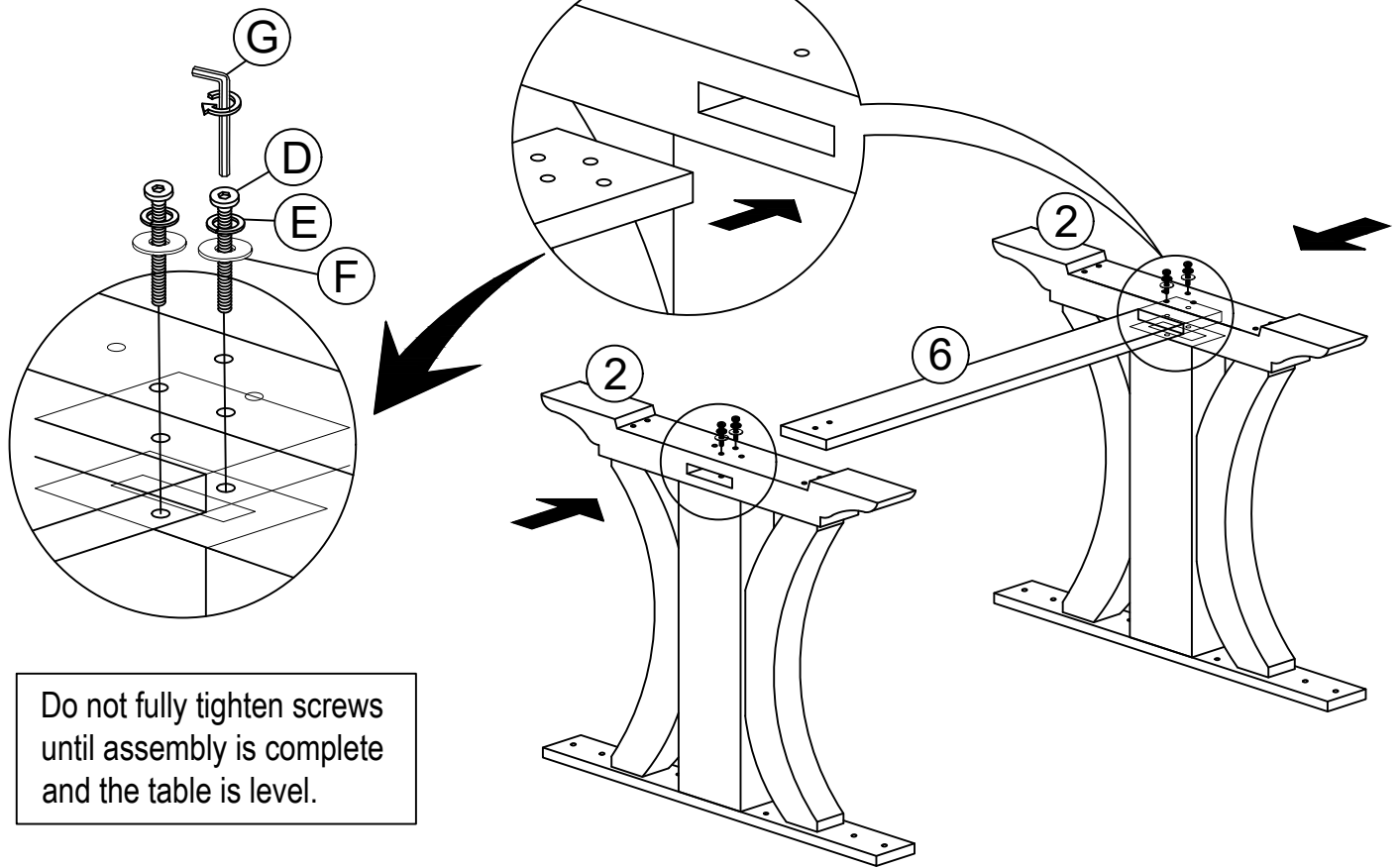
STEP 3



STEP 4

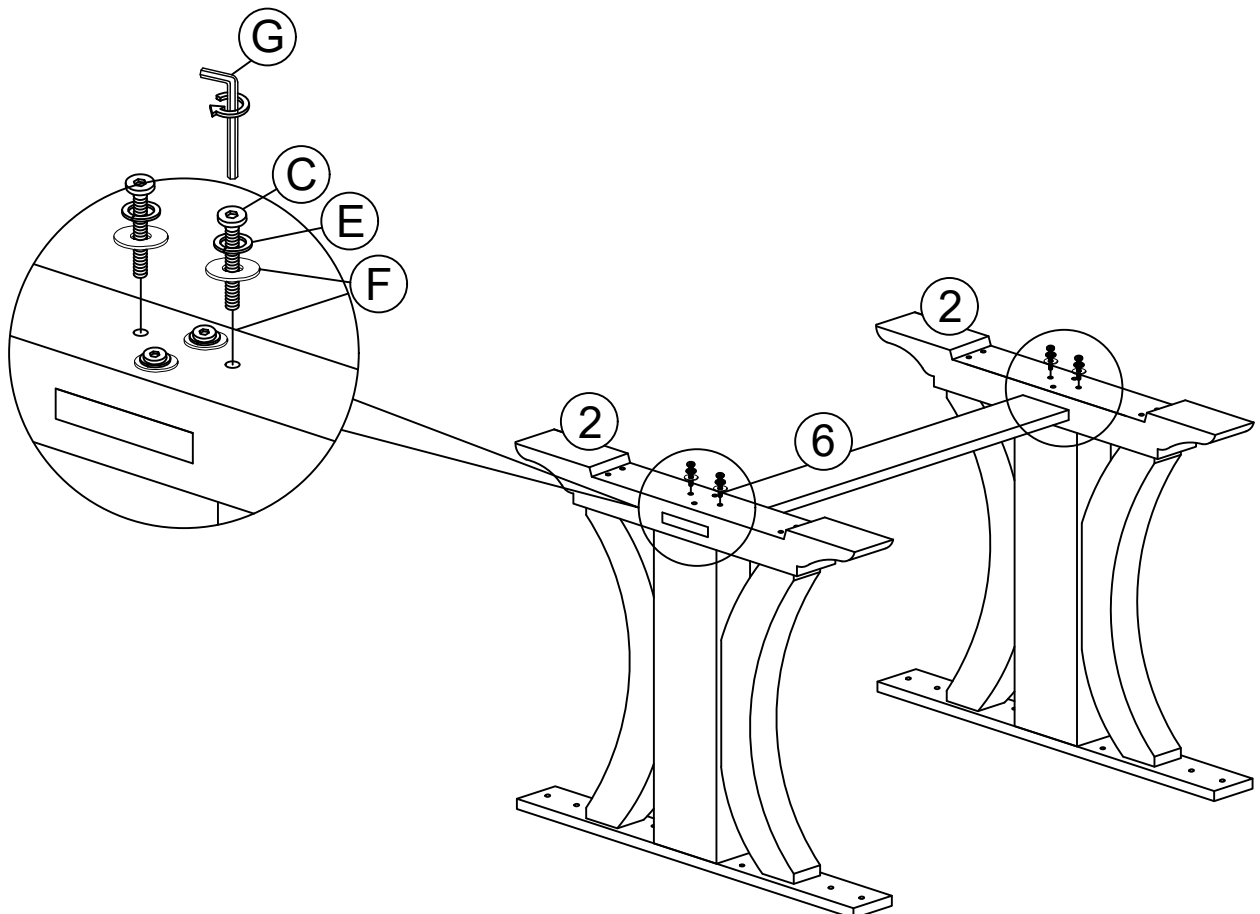


STEP 5

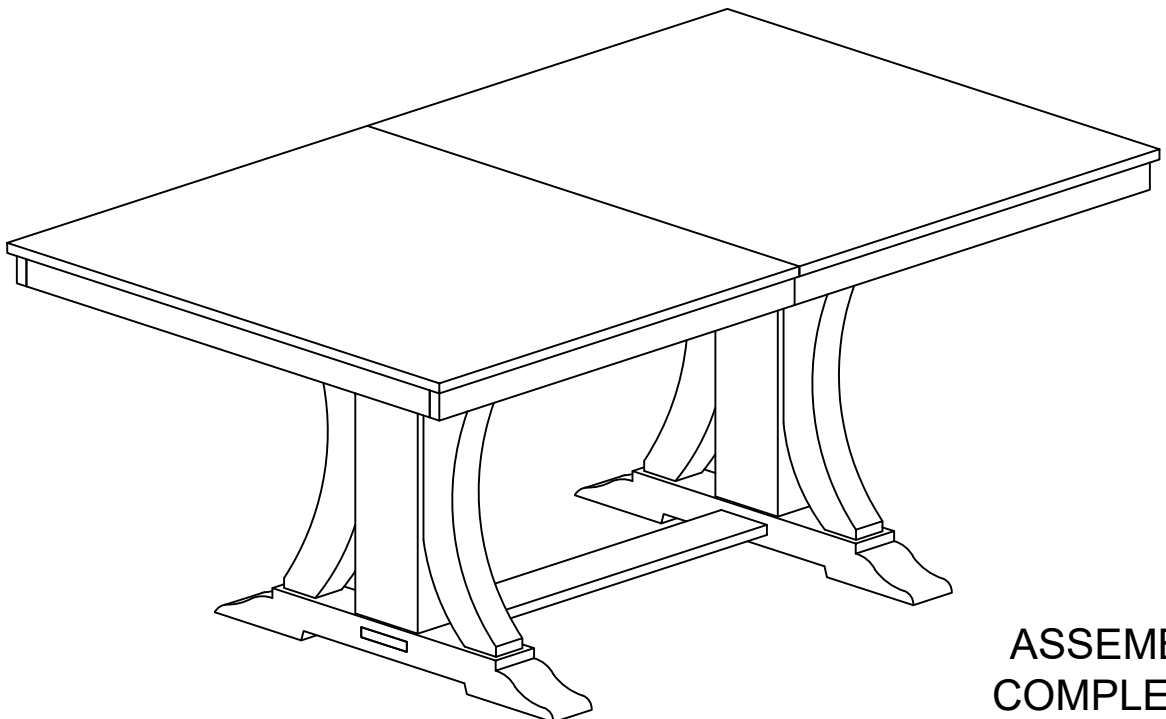
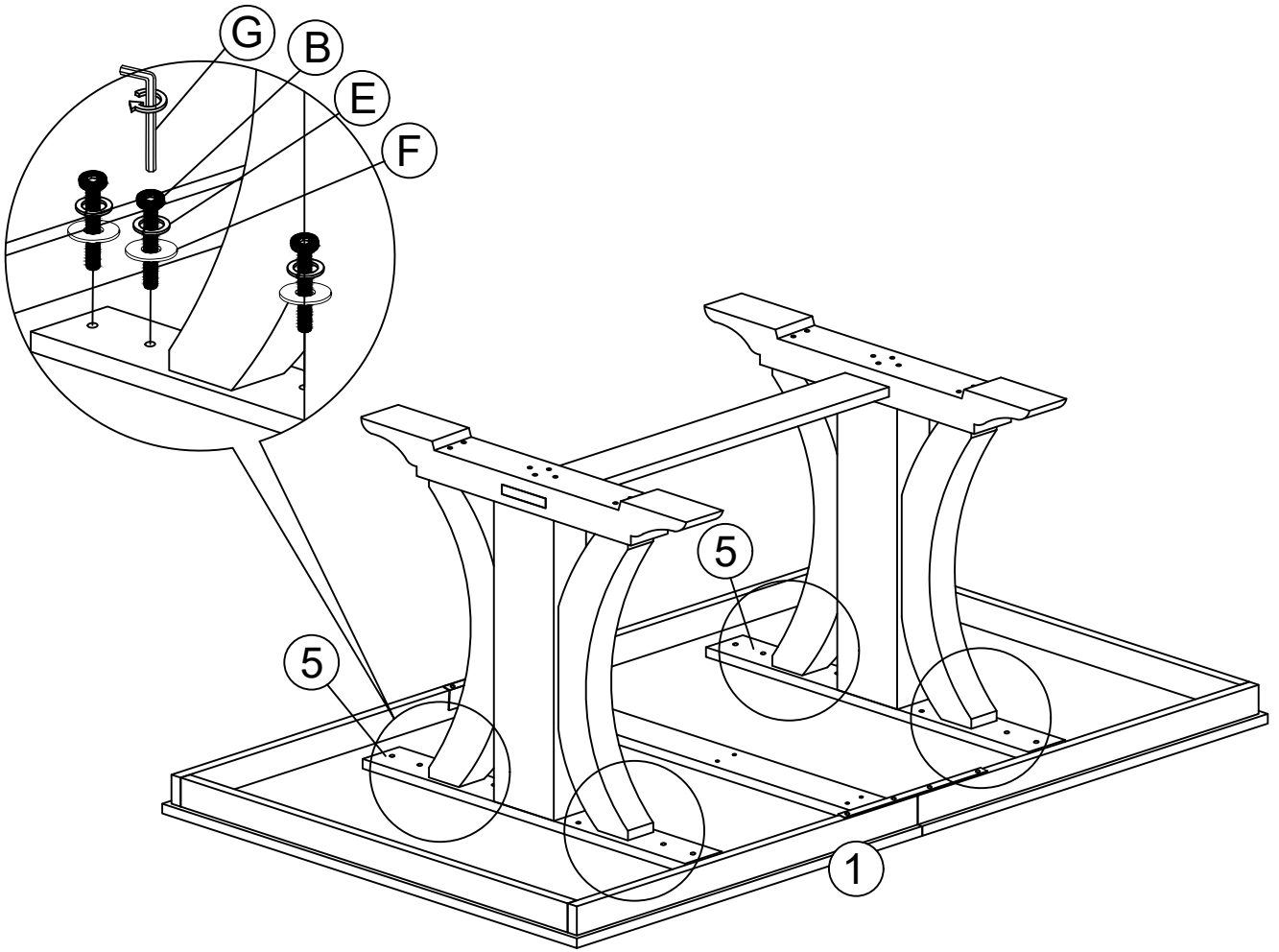


Do not fully tighten screws until assembly is complete and the table is level.

STEP 6



STEP 7



ASSEMBLY
COMPLETED