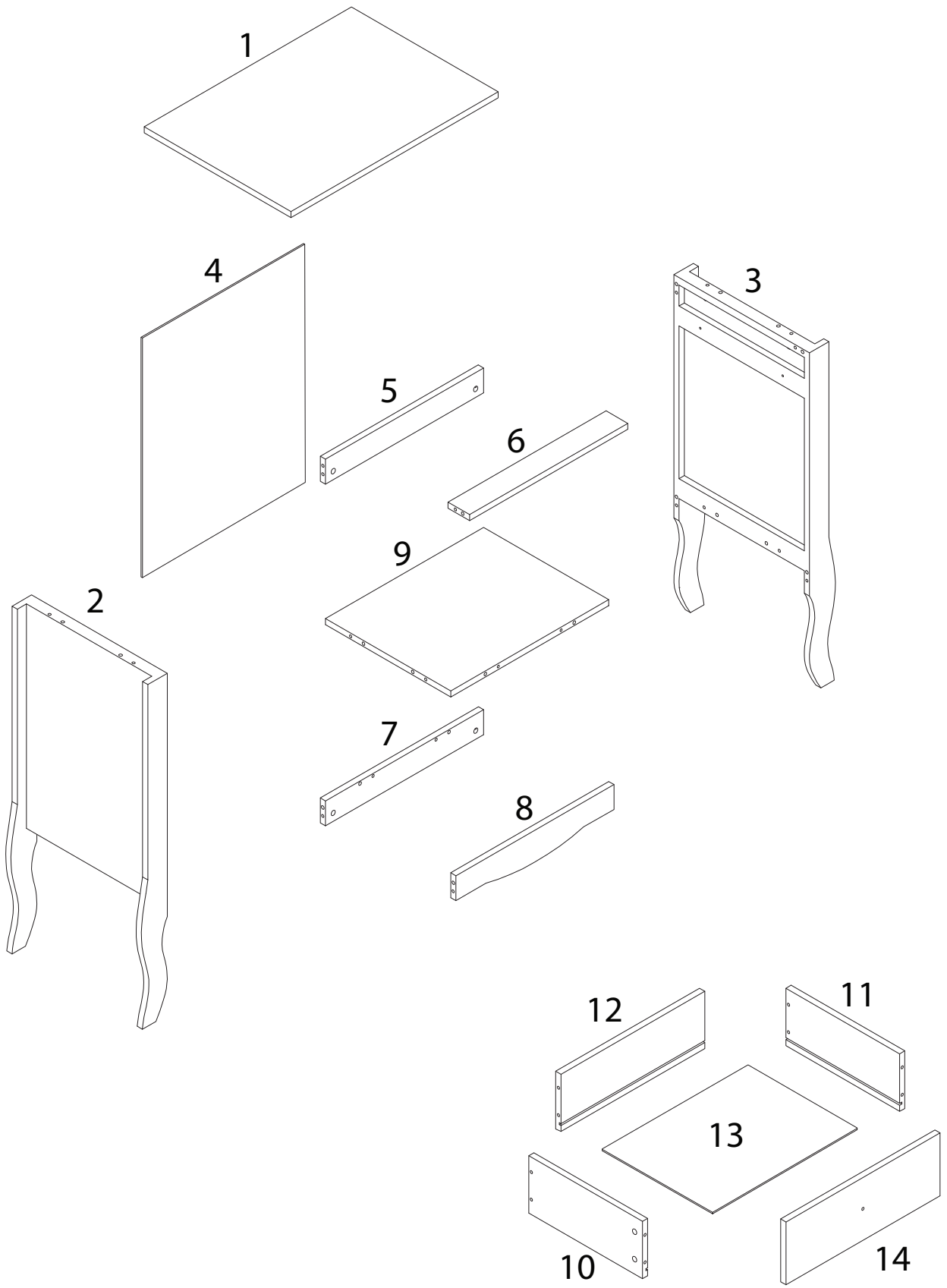
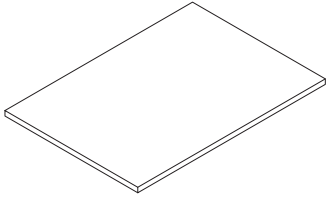


Assembly instructions for step 1/17:

- Tools:** A screwdriver is required. A power drill is not required (indicated by a diagonal line through the drill icon).
- Time:** Estimated assembly time is 30 minutes, represented by a clock icon.
- Warnings:** Two warning triangles are present, one above each tool icon, indicating potential hazards.
- Personnel:** One person is required for assembly, represented by a person icon.
- Diagram:** The top diagram shows a screwdriver and a power drill. The bottom diagram shows a rectangular block being placed on a surface with a textured pattern, and a second block being placed on top of it, with a diagonal line through the second block indicating it should not be placed there.

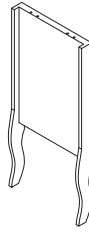


1



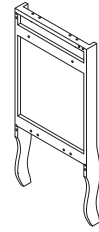
x 1

2



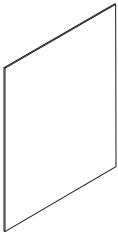
x 1

3



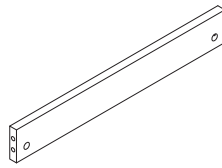
x 1

4



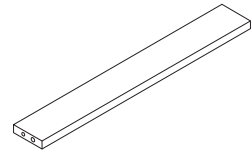
x 1

5



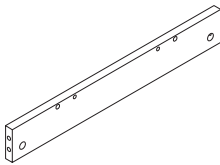
x 1

6



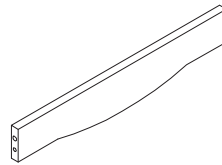
x 1

7



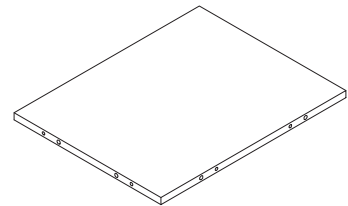
x 1

8



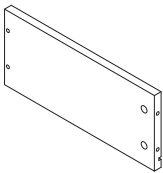
x 1

9



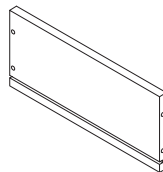
x 1

10



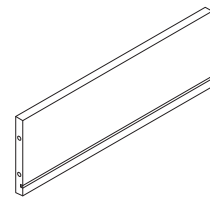
x 1

11



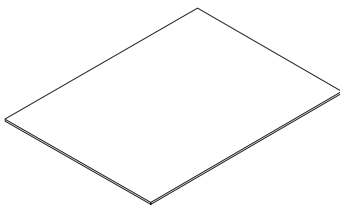
x 1

12



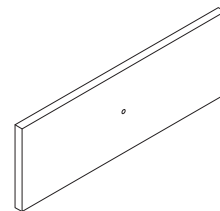
x 1

13



x 1

14



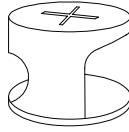
x 1

A



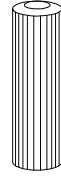
x 24

B



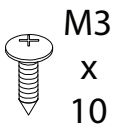
x 24

C



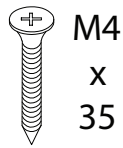
x 20

D



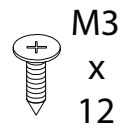
x 16

E



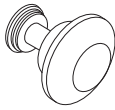
x 4

F



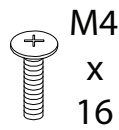
x 8

G



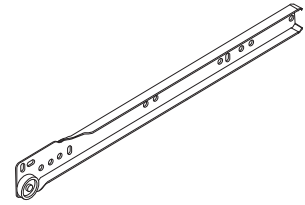
x 1

H



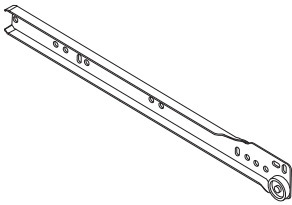
x 1

I



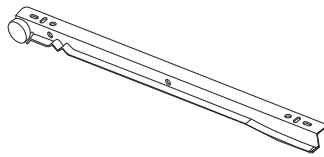
x 1

J



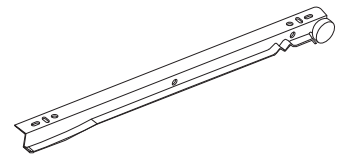
x 1

K



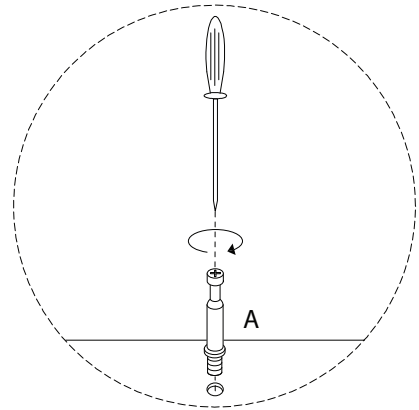
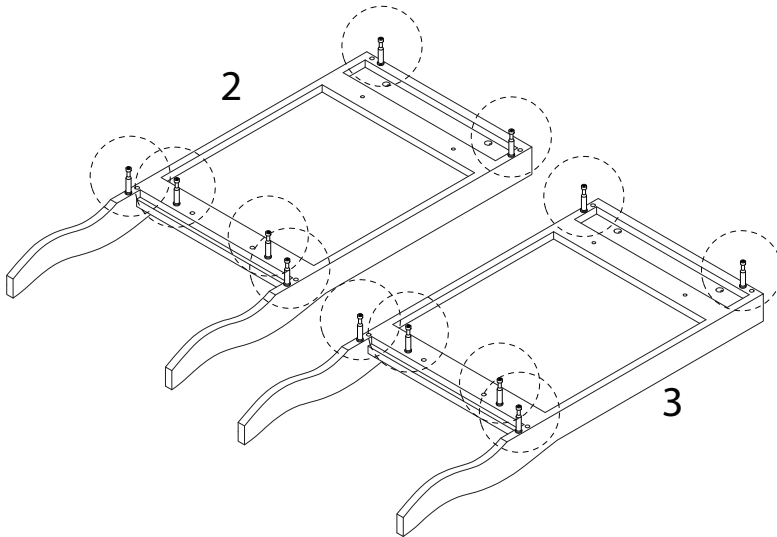
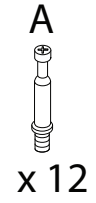
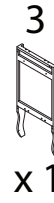
x 1

L

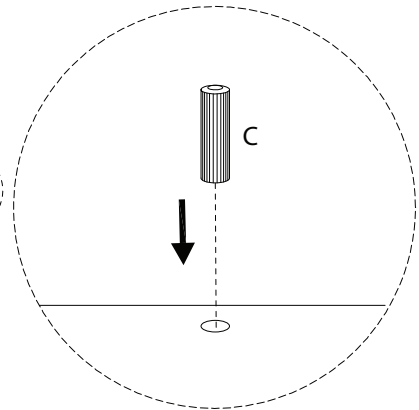
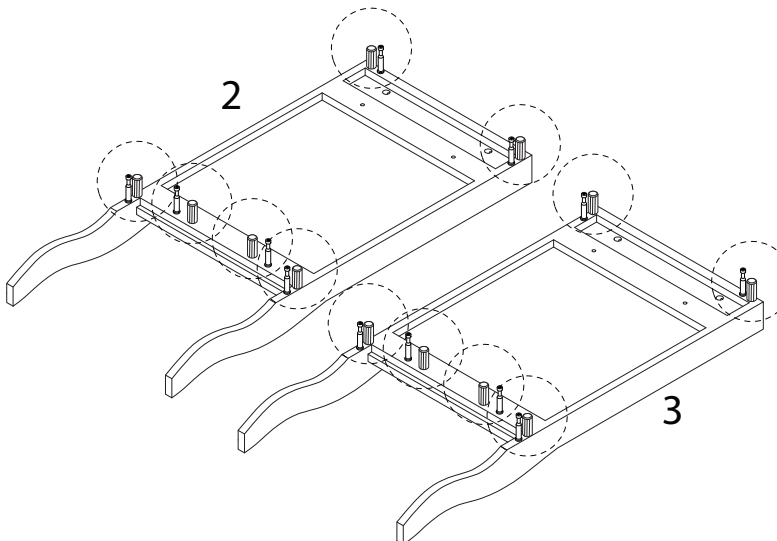
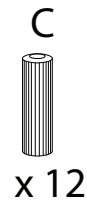


x 1

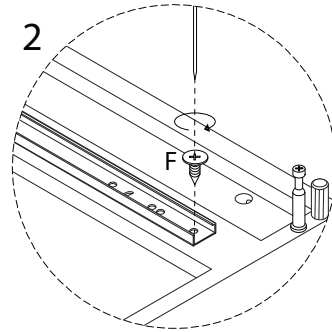
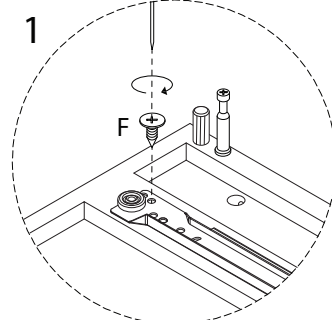
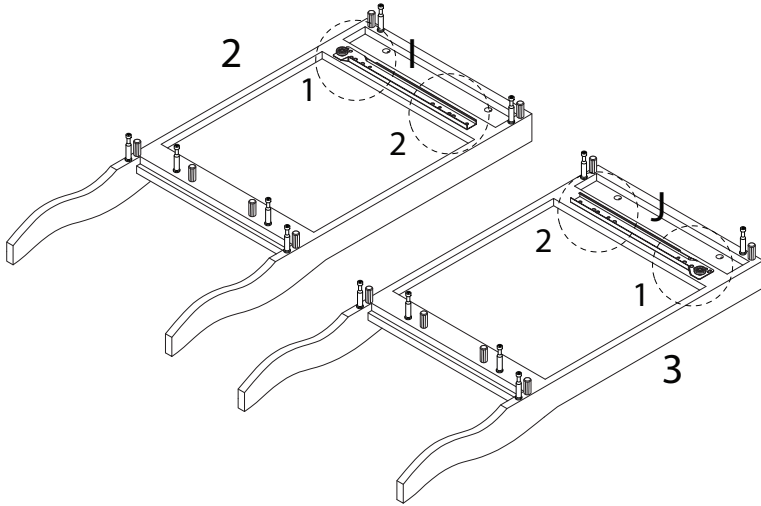
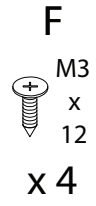
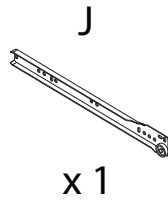
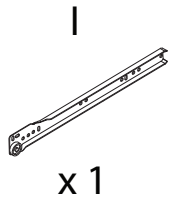
1



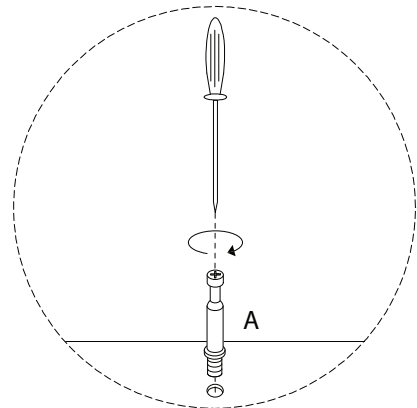
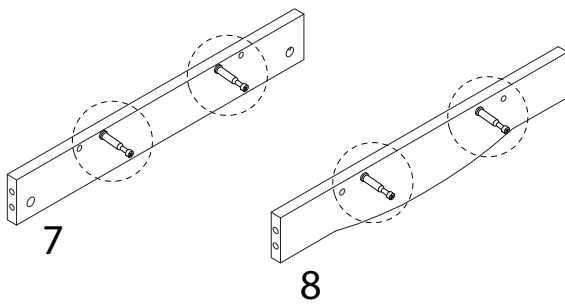
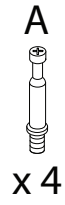
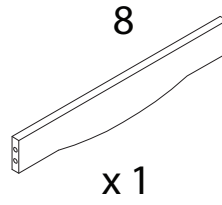
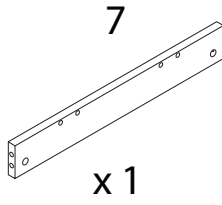
2



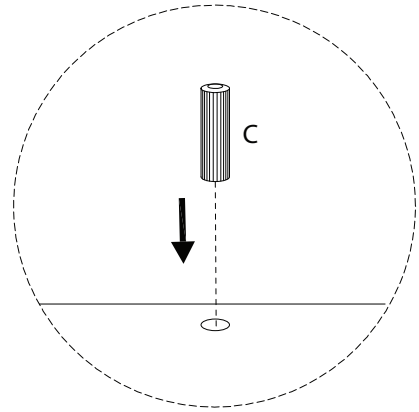
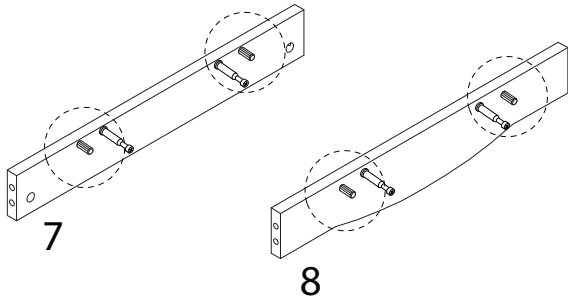
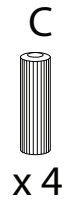
3



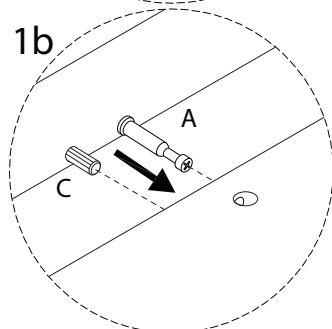
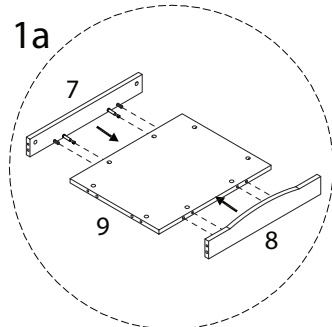
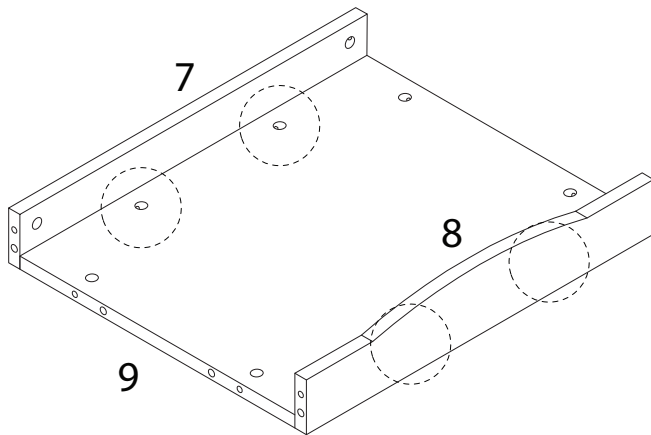
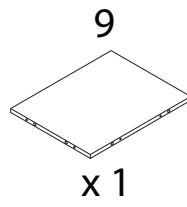
4



5



6

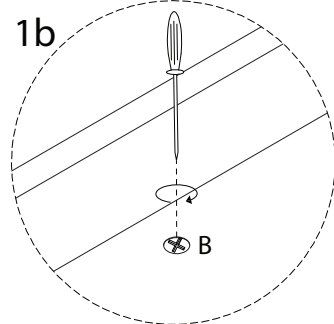
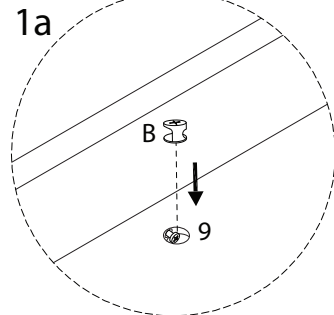
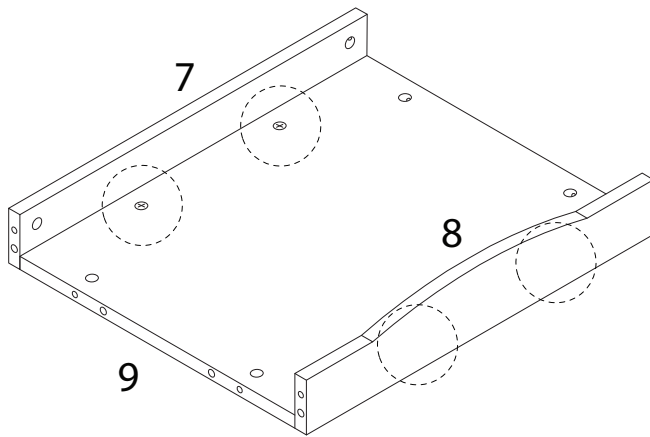


7

B

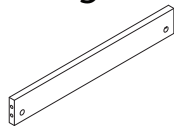


x 4



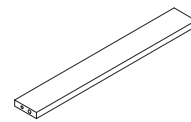
8

5

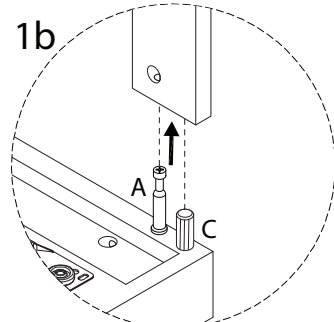
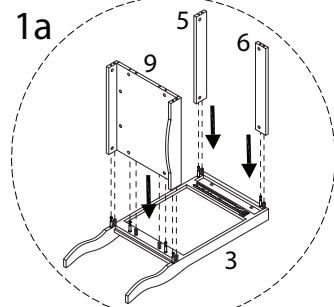
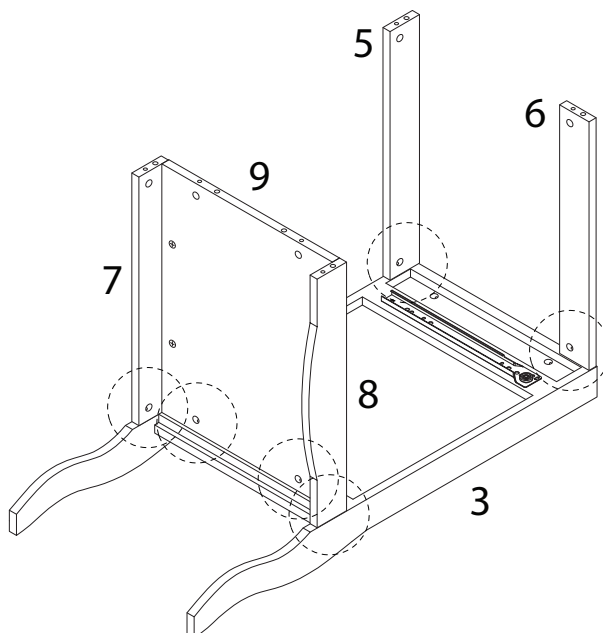


x 1

6



x 1

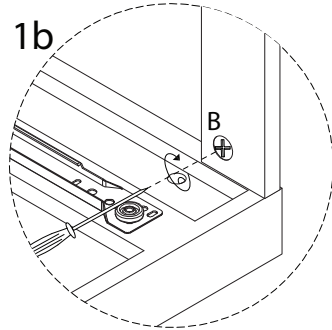
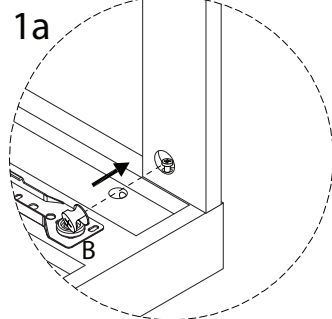
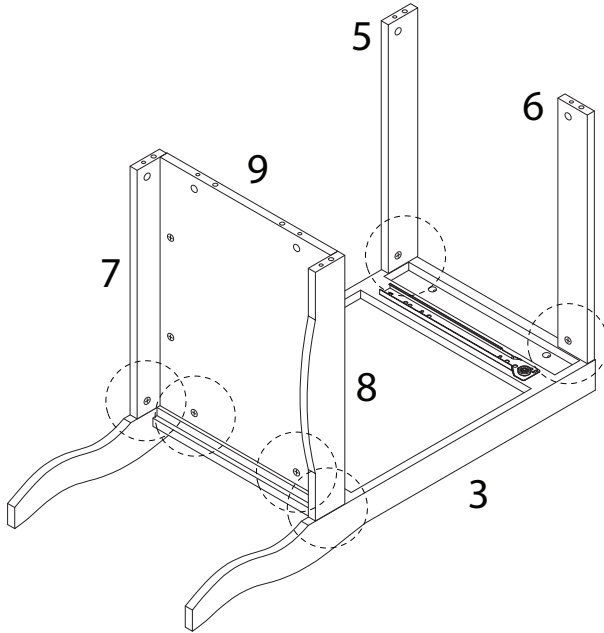


9

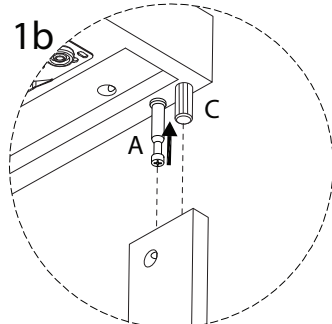
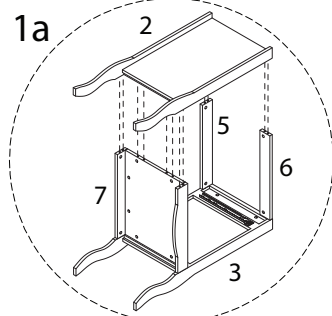
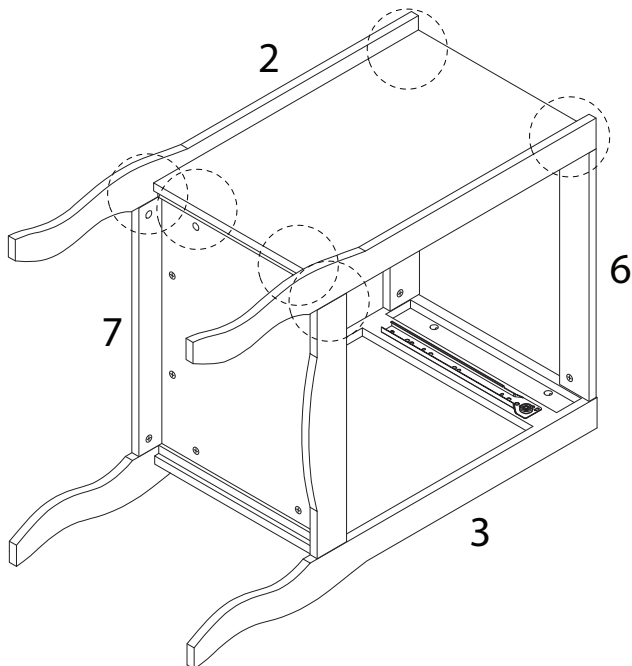
B



x 6



10

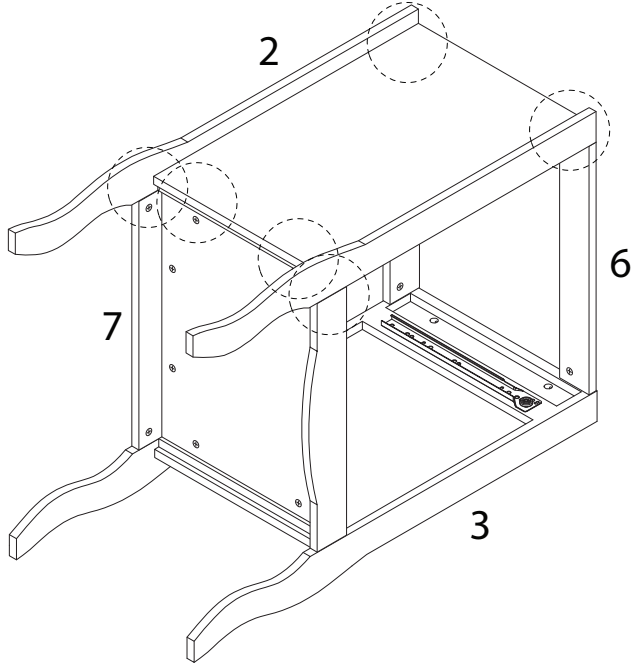


11

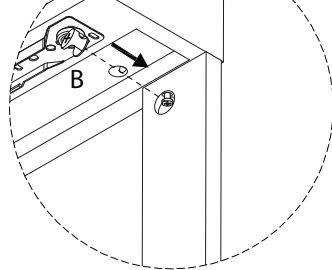
B



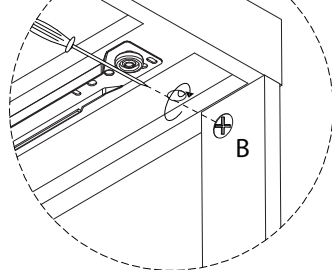
x 6



1a

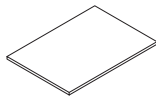


1b



12

1

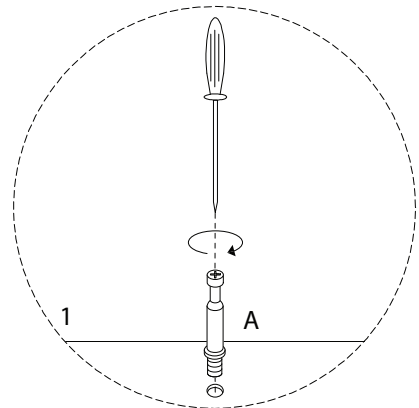
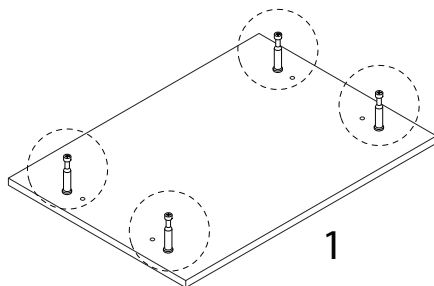


x 1

A

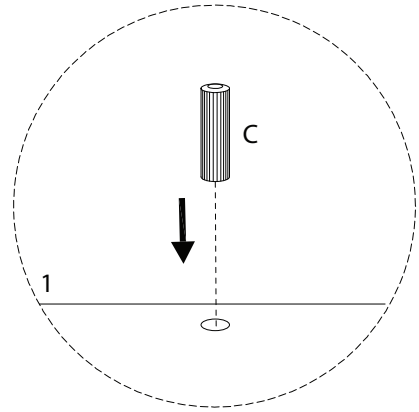
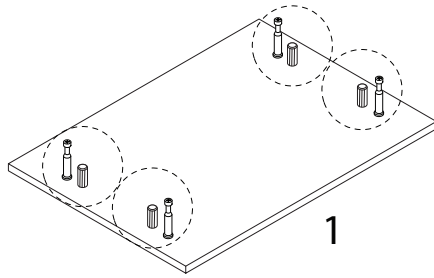


x 4

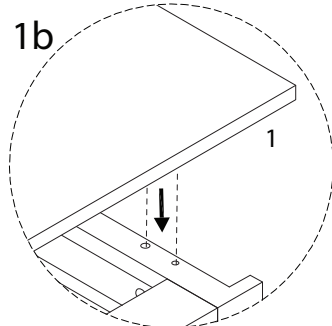
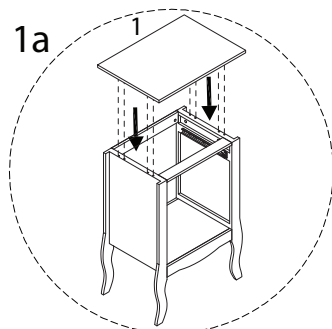
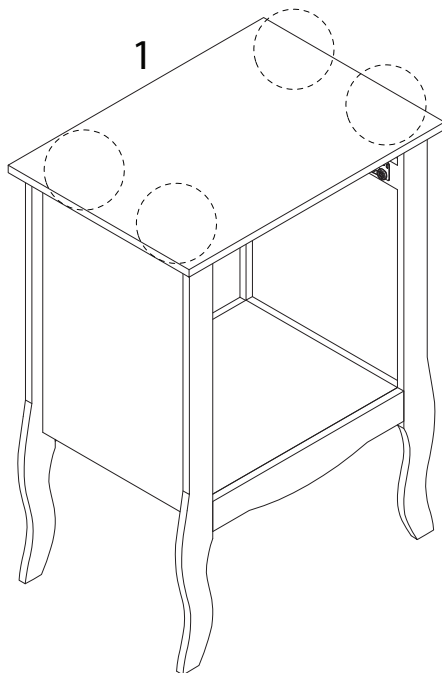


13

C  
x 4



14

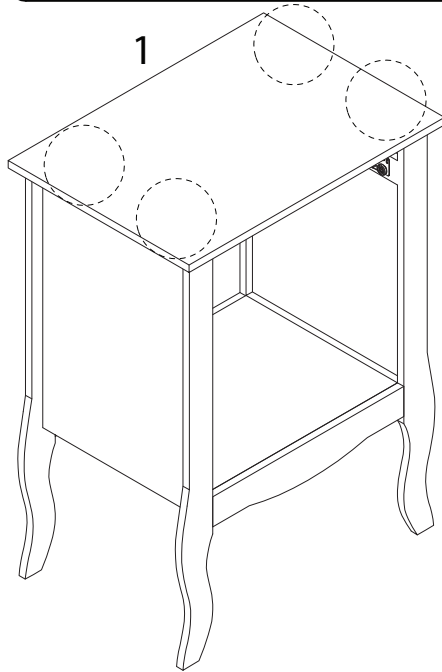


15

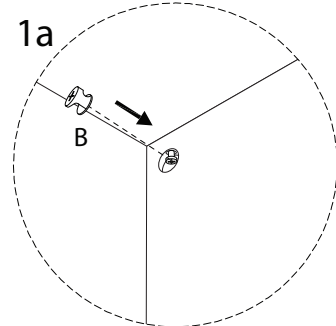
B



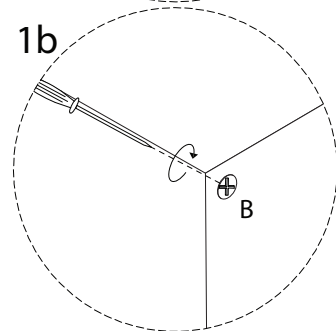
x 4



1a

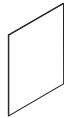


1b



16

4



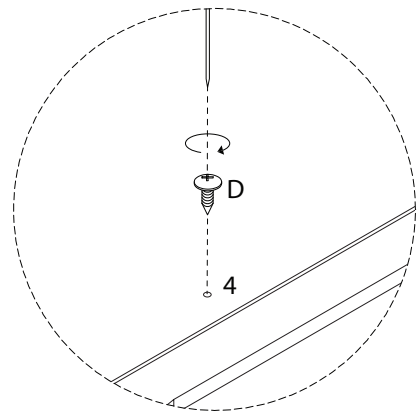
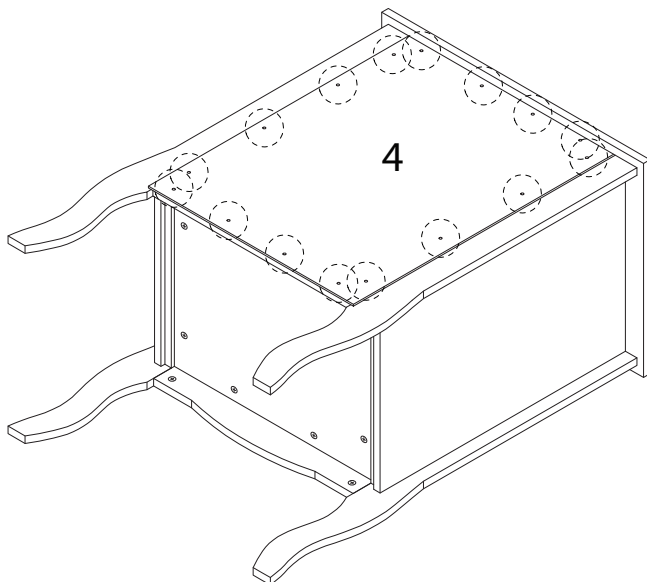
x 1

D

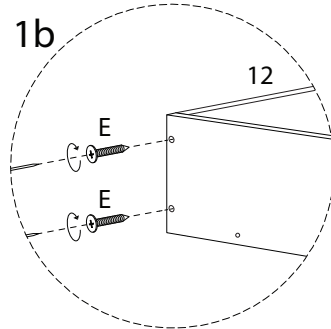
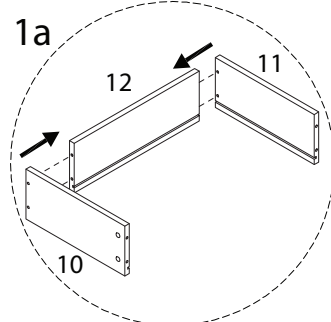
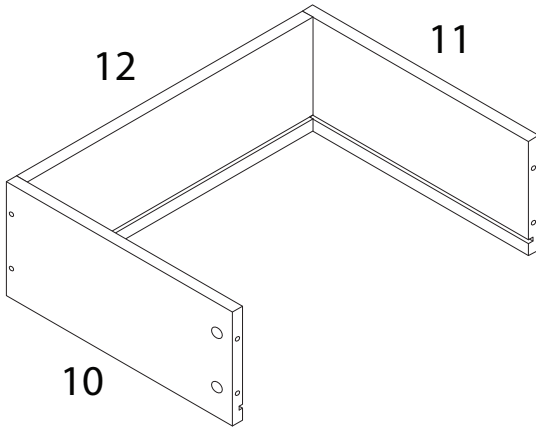
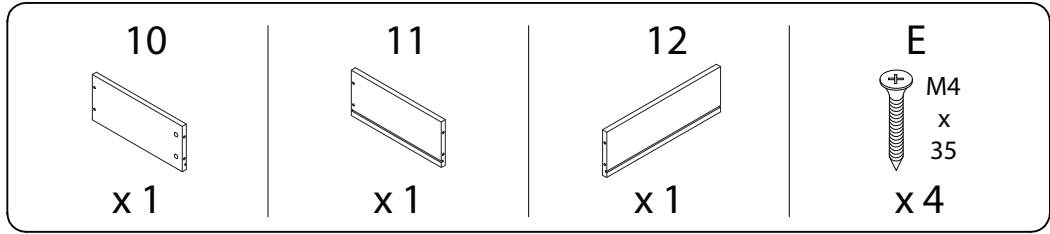


M3  
x  
10

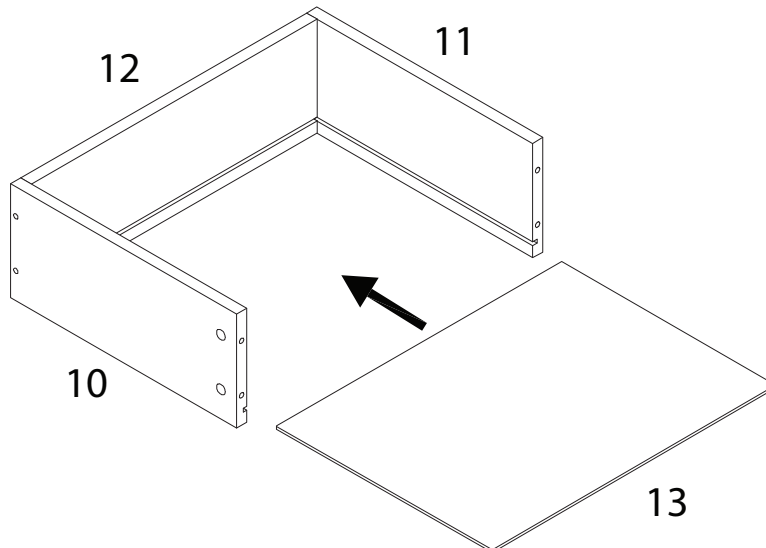
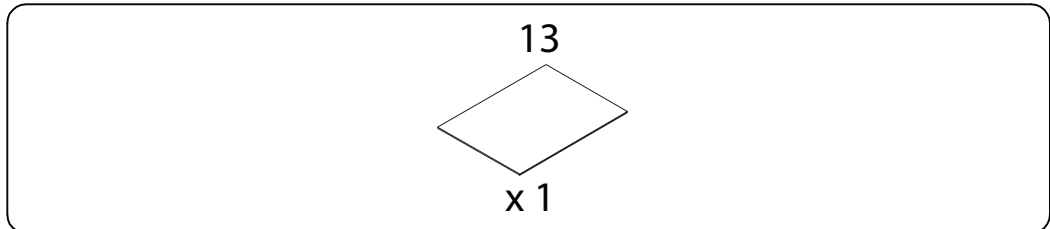
x 16



17

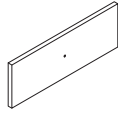


18



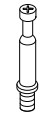
19

14

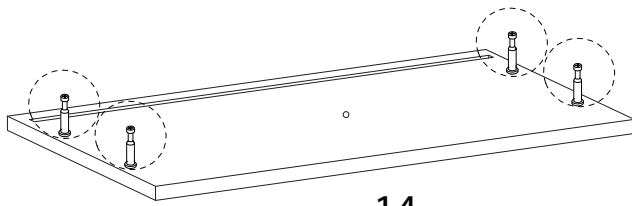


x 1

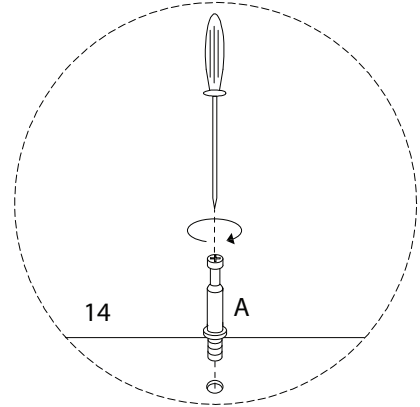
A



x 4

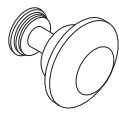


14



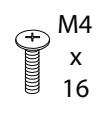
20

G

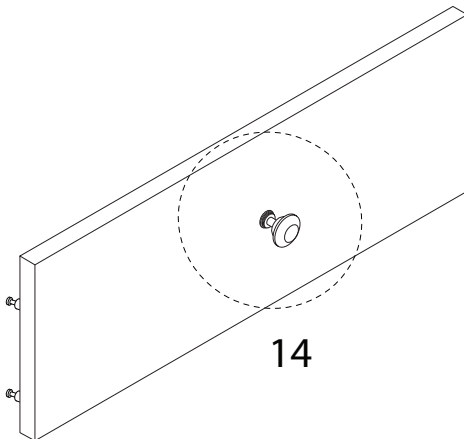


x 1

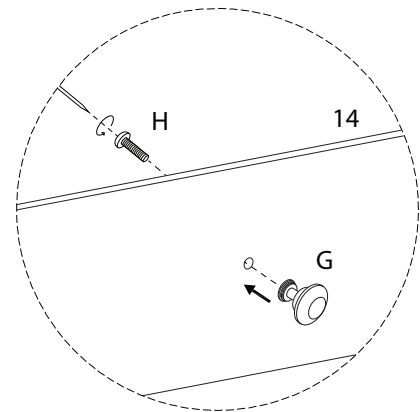
H



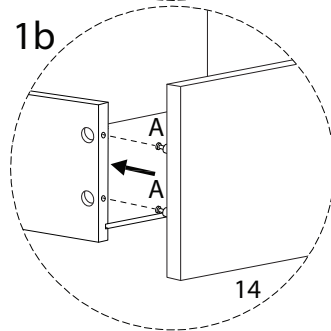
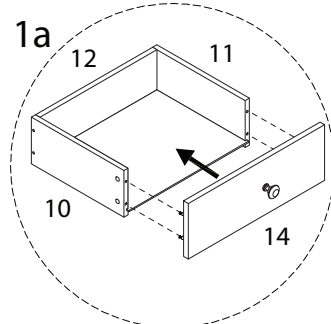
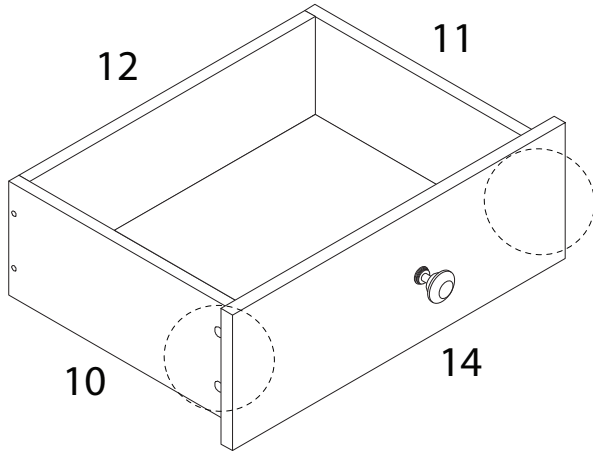
x 1



14



21

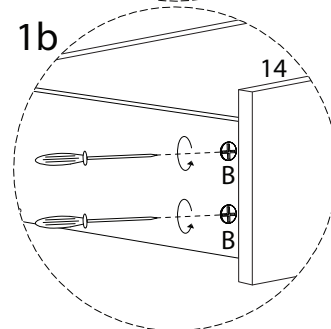
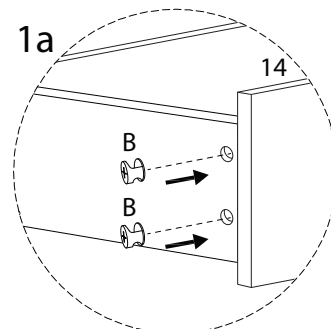
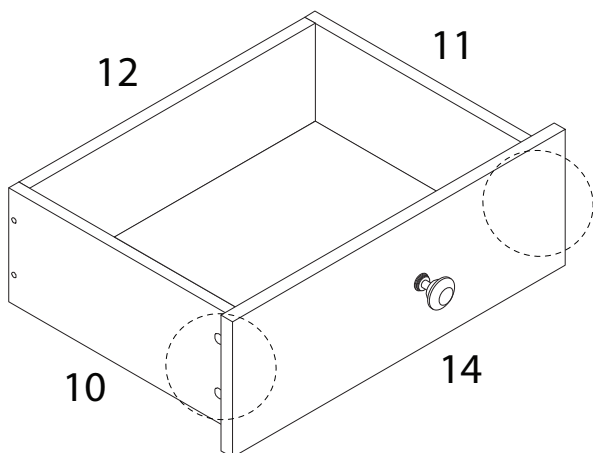


22

B



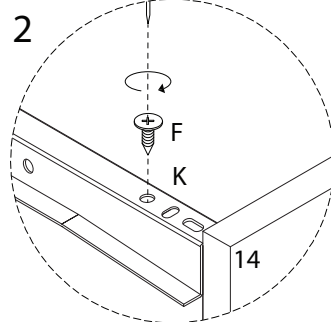
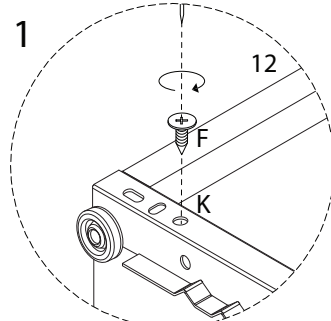
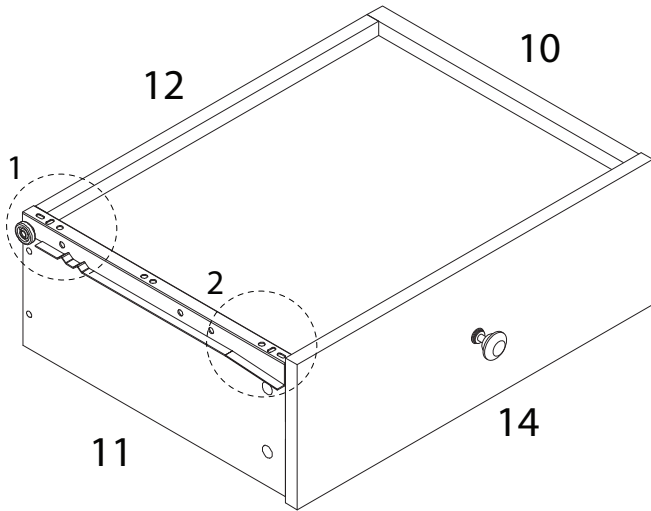
x 4



23

F  
M3  
x  
12  
x 2

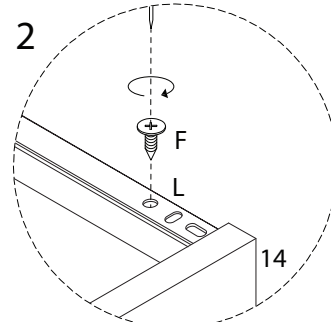
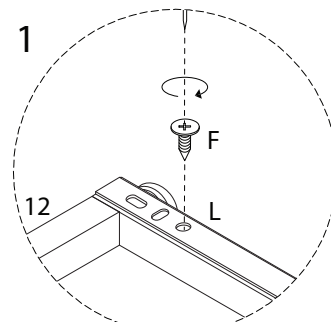
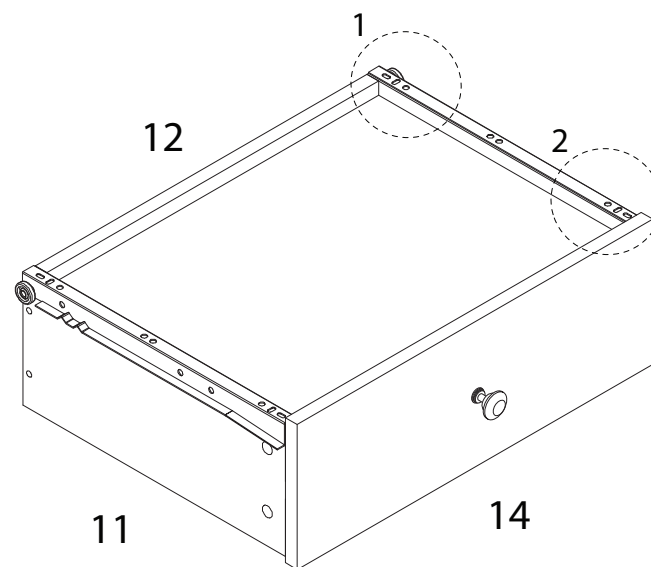
K  
x 1



24

F  
M3  
x  
12  
x 2

L  
x 1



25

