

---

# INSTRUCTION MANUAL

## Retro Ceiling Fan Lights



※ Note: The installation of other designs have the same steps and need to read carefully before installation.

---

Thank you for choosing our fan lights!  
please be sure to read the manual carefully in order to ensure full understanding of installation and use of this product.

Integrate the functions  
of lighting and fan

# CATALOG //

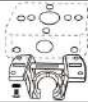



1.Packing list -----	01
2.Install the mounting bracket -----	02
3.Installation step instructions -----	03
4.Remote control -----	04
5.Mobile App Control Operation -----	05
6.Care and maintenance -----	06
7.Warranty and after-sales -----	07

## Important Safety Instructions

**WARNING:** To avoid fire, shock, and serious personal injury, please follow these instructions:

1. Read your user's manual and safety information before installing your new fan. Review the accompanying assembly diagrams.
2. Before servicing or cleaning the unit, switch off the power at the service panel and lock the service panel disconnecting means to prevent accidental power activation. When the service disconnecting means cannot be locked, securely fasten a warning device, such as a tag, to the service panel.
3. Exercise caution around the fan and its blades when cleaning, painting, or working near the fan. Always turn off the power to the ceiling fan before servicing.
4. Do not insert anything into the fan blades while it is operating.
5. This appliance is not intended for use by young children or infirm persons without supervision. Young children should be supervised to ensure that they do not play with the appliance.

## 1.Packing list

Item	Item	Illustration	Quantity
01	Flush washer screw*2		1
02	Mounting bracket & Downrod Housings Light		3
03	Instruction Manual*1		1
04	Remote control*1		1

### WARNING:

Before assembling your ceiling fan, refer to the section on the proper method of wiring your fan (page 10). If you feel you do not have enough wiring knowledge or experience, have your fan installed by a licensed electrician.

Installed Wire Length	Wire Size A.W.G
Up to 50 ft	Up to 50 ft
50-100 ft	50-100 ft

### NOTE:

Place the parts from the loose parts bags in a small container to prevent them from being lost. If any parts are missing, contact your local retailer.

Note: Please make sure everything listed above is included, contact us for help if there is anything missing.



Before the installation of the fan light, pay attention to the safety precautions and prepare the tools needed.

1. Turn off the power supply before installation or disassembly of the fan light. If you have a multimeter or voltage tester, it is a good idea to test whether the power is off.
2. The wiring sequence for installation must be ground line, null line(N), live line(L), while for disassembly, it must be live line(L), null line(N) and then ground line to avoid electric shock.
3. Make sure to tighten each screw.
4. When the fan is working, avoid touching the fan blade.

#### Installation tools:



Electric drill



Wrench



Ladder



Pincer



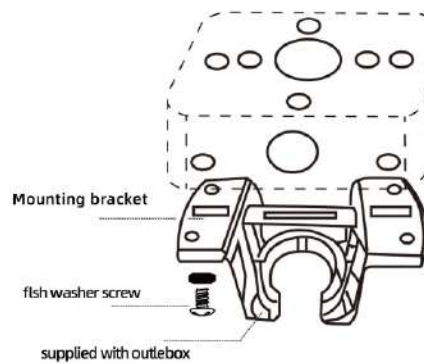
Screwdriver



Tape

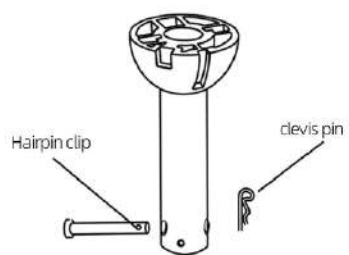
## 2. Install the mounting bracket

- 2.1 Take out two screws of accessory package and use them as shown in the illustration



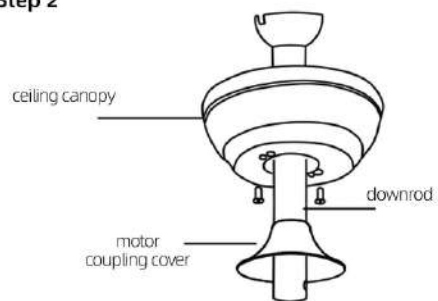
### 3. Installation step instructions

#### Step 1



1. Remove the hairpin clip and clevis pin from the bottom of the downrod. Keep the pin and clip for reinstallation. (See Figure 1)

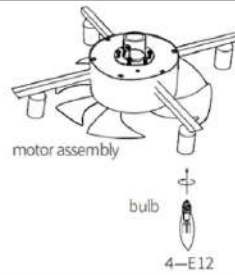
#### Step 2



2. Pass the ceiling canopy and the motor coupling cover through the bottom of the downrod successively. (See Figure 2)

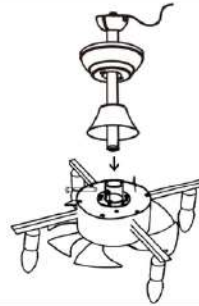
### Step 3

3. Fix the short metal rod with a circular plate on the motor cover using a screw knob. (See Figure 3)



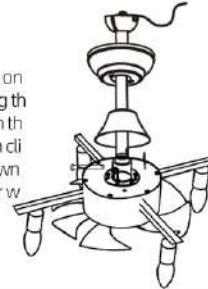
### Step 4

4. Install light bulbs into sockets by threading in a clockwise direction. Connecting the handle head to the downrod



### Step 5

5. Place the downrod into the downrod support on top of the motor. Install the clevis pin by aligning the holes in the downrod support with the holes in the downrod. Secure the clevis pin with the hairpin clip. Tighten the two set screws with nuts in the downrod support and cover the motor coupling cover well. (See Figure 5)



## How to operate your ceiling fan

### Remote Control Operations

1. To operate the fan, install a AAA 1.5V battery (not included) in the hand-held remote. Store the remote away from excessive heat or humidity.

2. If the remote control cannot be effectively operated, please check the battery, and remove the battery if it will not be used for an extended period of time.



## How to Install Your Remote Control

3. Installing Wall Plate: (See Figure 3)  
Attach the wall plate using the two provided screws.



4. Periodic cleaning of your new ceiling fan is the only maintenance that is needed. When cleaning, use only a soft brush or lint-free cloth to avoid scratching the finish. Abrasive cleaning agents are not required and should be avoided to prevent damage to the finish.

### CAUTION

Do not use water when cleaning your ceiling fan. It could damage the motor or the finish and create the possibility of electrical shock.

## 5. Mobile App Control Operation



1. Turn off the lights

2. Scan the QR code and download the app



3. Choose your room & click to add device (turn on mobile blue-tooth)



4. Turn on the light



5. Turn on wall switch and click "Pair" to pair within 5 seconds



6. After pairing, you can control the lights and fans through the app

## 6. Care and maintenance

---

### 7.1 About product maintenance

1. In order to use this product safely and efficiently, please clean the dust of the fan lamp once a year. For the removal method, please refer to the previous installation steps. If conditions permit, butter can also be applied to each rotating part of the motor to reduce the abnormal noise caused by the friction of the parts.

### 7.2 Questions and answers encountered during use

#### Q1: What should I do if the fan light does not start normally?

A: Check the power supply to see whether there is short circuit or the voltage is lower than required(AC220V±10%).And if no problem with power supply, check if the fan light is well connected.

#### Q2: The fan light does not respond when using the remote control for the first time?

A: Make sure the fan light is well connected and the power is on. And check the battery of the remote control. If everything alright, try to repeat the matching process. Just contact us if any help needed.

#### Q3: There is a sound but the remote control does not work normally?

A: Please check the wiring of the fan light, see if they are well connected. Make sure you turn off the power supply when checking.

#### Q4: The fan light is normal, but the fan is running but there is no wind, what's the matter?

A: Most probably is that you have pressed the reverse rotation button, just press again to get back to forward rotation.

#### Q5: When turning on the wall control switch the light flashed but did not light up, and there was no response when pressing the remote control?

A: Check if the fan light is well connected, if yes, then there might be something wrong with the controller, just contact us for replacement of the controller.

#### Q6: What should I do if the fan light makes noise?

1. Check if the wires at the back of the fan light are close to the motor, adjust if yes.
2. Make sure that the fan light is not damaged before installation.
3. Check if the fan light is installed firmly.
4. Installation on a wooden suspended ceiling, steel structures or prefabricated panels are not recommended because they would amplify the sound.

Note: if further help is needed, please contact us.



**Warning:** In order to prevent fire and electric shock accidents, please use electrical switches and wires that meet national safety standards, please turn off the power supply during maintenance or cleaning to avoid personal injury accidents!

## 7.Warranty and after-sales

### Dear user: Thank you very much for purchasing our products!

The fan lamp strictly implements the relevant national regulations on home appliances and three guarantees, and provides satisfactory after-sales service for distinguished users. The warranty period of the fan motor is three years, and the warranty period of the light source and electronic parts is four years. If the user's fan lamp has quality problems during the warranty period, it is necessary to hold the three-guarantee certificate stamped by the seller at the same time to the original sales point of the company's products. Or specify repair free maintenance service. The three-guarantee service is limited to quality problems that occur under normal use, and all abnormal use damages, such as: installation and use not in accordance with the instructions, user voltage exceeding the normal rated voltage (AC220V±10%), maintenance, modification, fan not approved by the company. The water ingress of the lamp is not within the scope of the three guarantees, and maintenance is required for a fee. The three-guarantee period is counted from the date when the three-guarantee certificate is issued. The three-guarantee period is counted from the date when the three-guarantee certificate is issued. The three-guarantee certificate is the certificate for consumers to enjoy the three-guarantee rights. Please keep it properly.

Please fill in the three-guarantee certificate carefully and do not alter it, otherwise it will be invalid!



### Product after-sales guarantee card

Customer Name	
contact number	
contact address	
Product number	
machine shop	
store contact	
purchase time	

★ The voucher needs to be stamped by the company's authorized dealer to take effect.  
If there is no voucher, only a valid online transaction complete record can also be guaranteed.