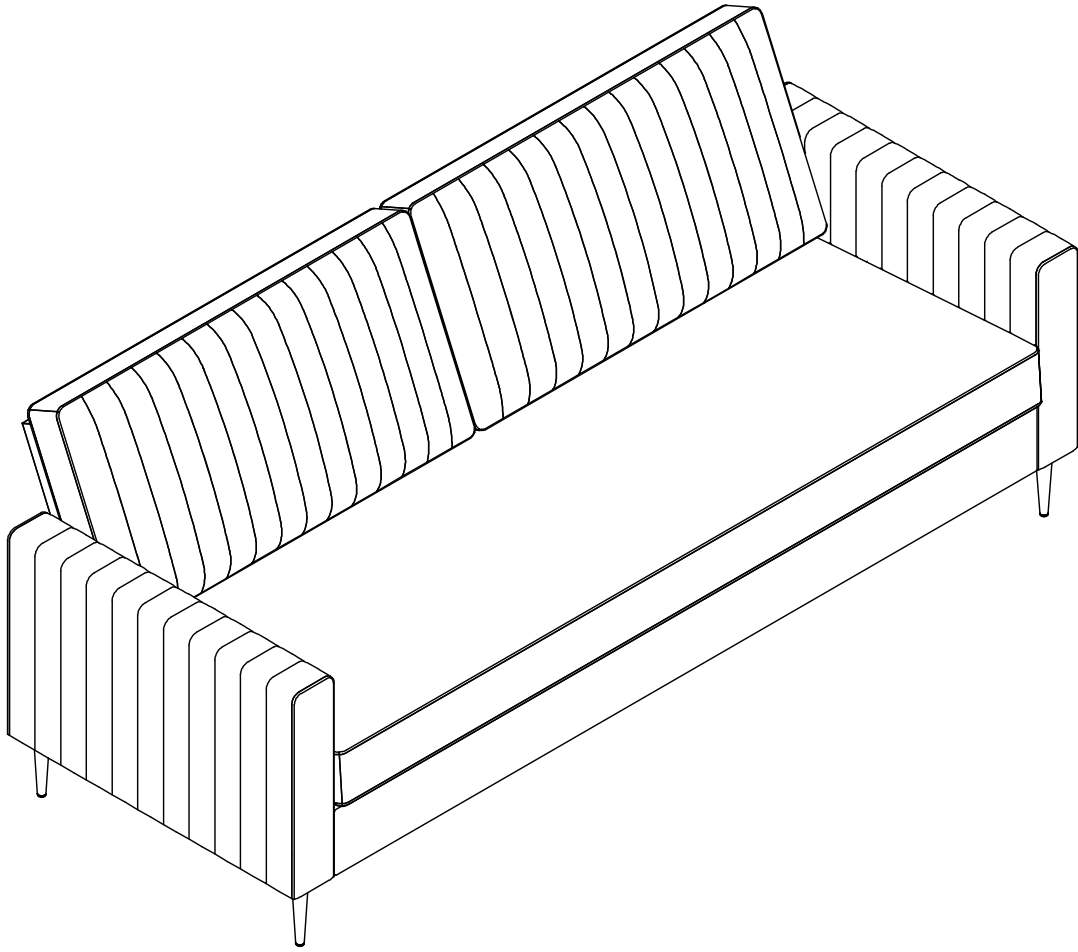
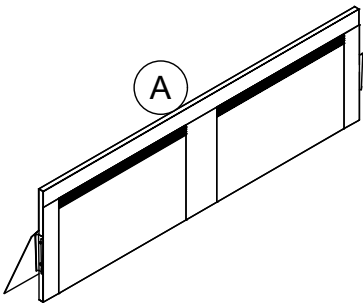


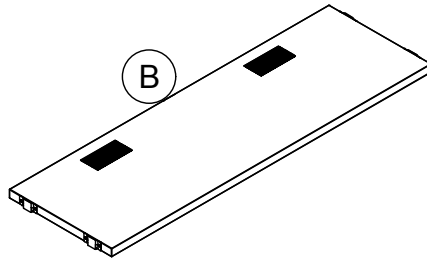
# Assembly Instruction



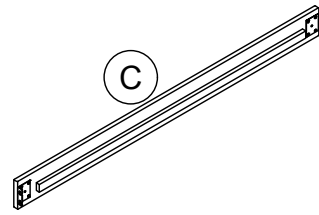
## PART



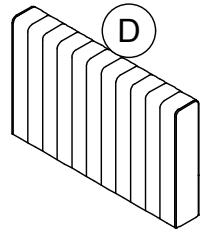
Back X 1 PC



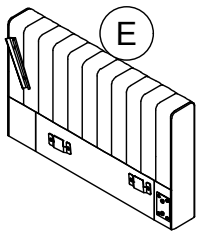
Seat Panel X 1 PC



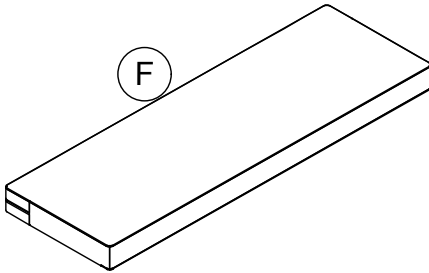
Front Rail X 1 PC



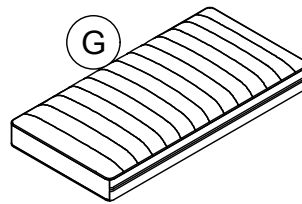
Armrest X 1 PC



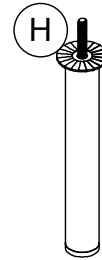
Armrest X 1 PC



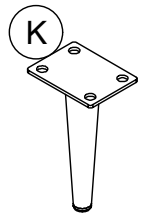
Seat Cushion X 1 PC



Back Cushion X 2 PCS

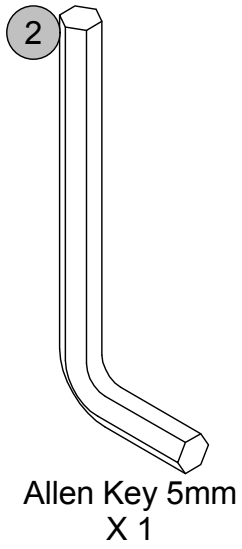
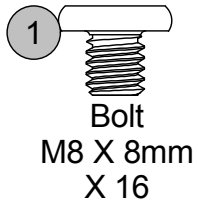


Support Leg X 1 PC



Leg X 4 PCS

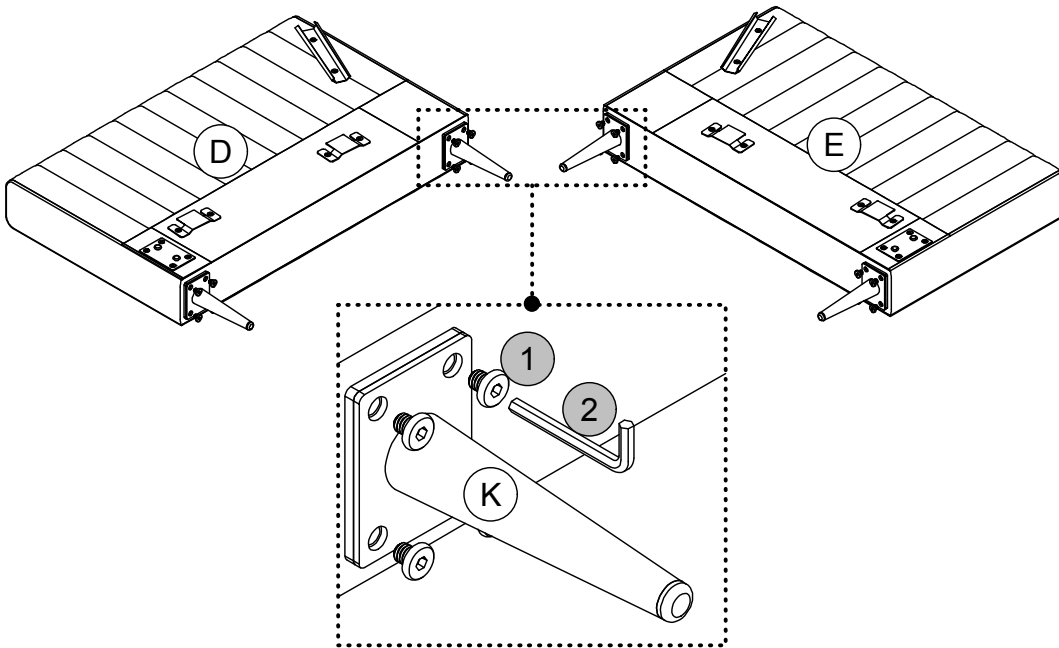
# HARDWARE



Place all parts on a clean, smooth surface.

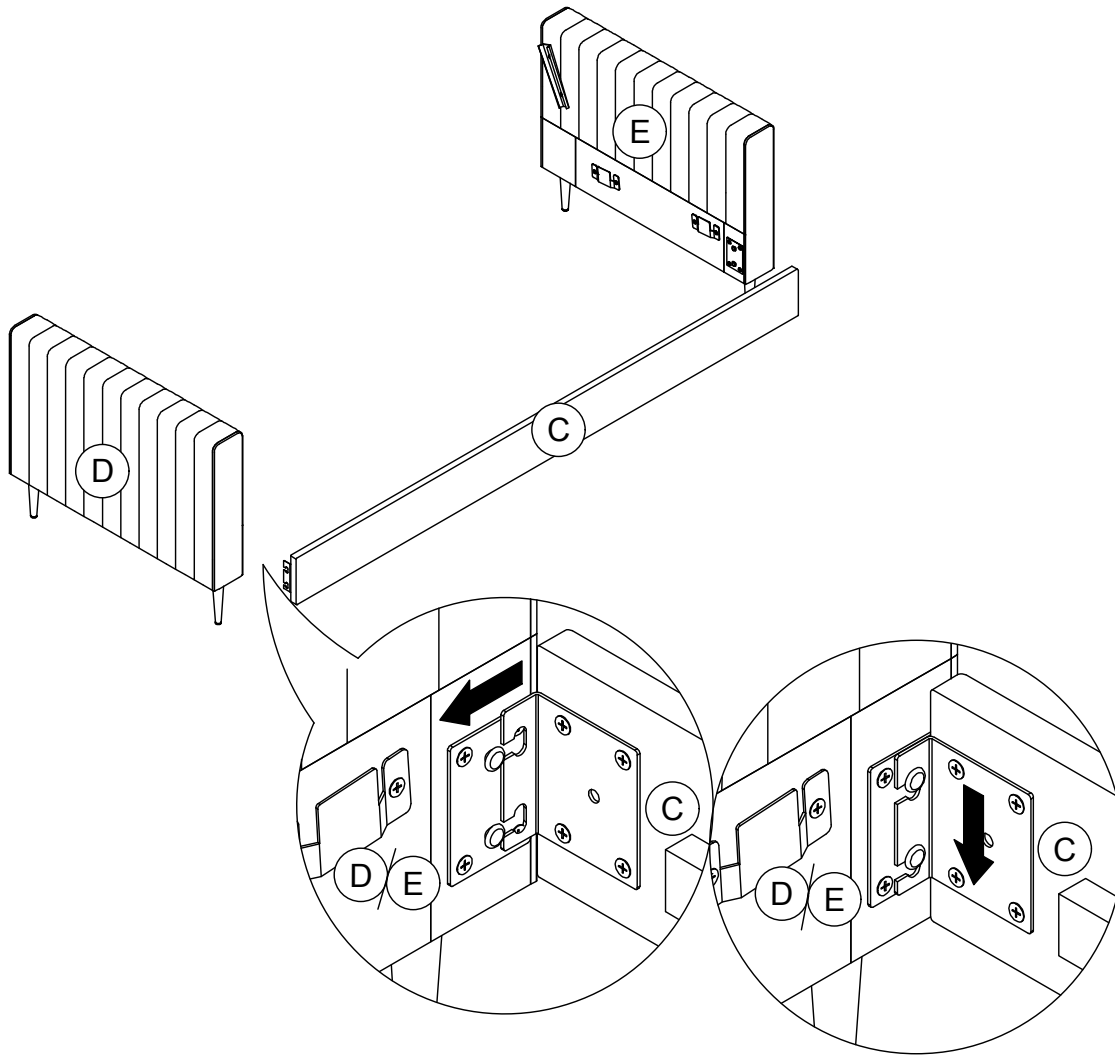
## STEP 1:

Attach **K** x 4 to **D** & **E** with **1**, as shown.



**STEP 2:**

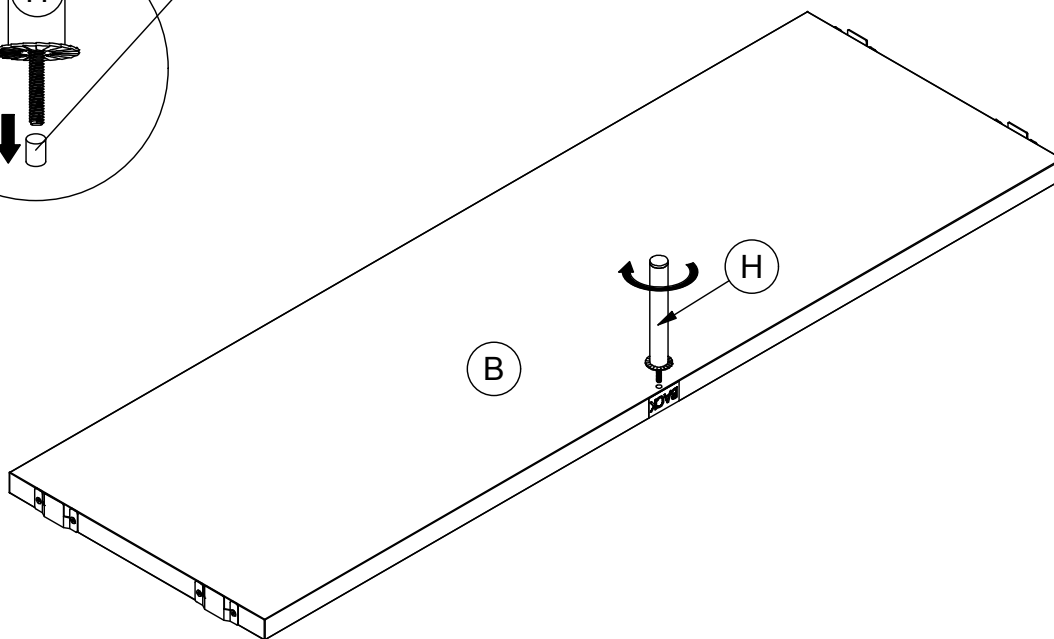
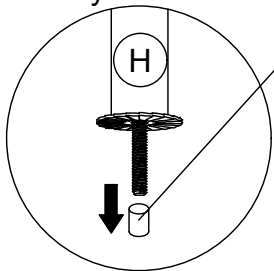
Attach **C** to **D** & **E** by inserting the brackets on **C** into the metal plate on **D** & **E**, as shown. Push **C** with a downward force to secure it into place.



**STEP 3:**

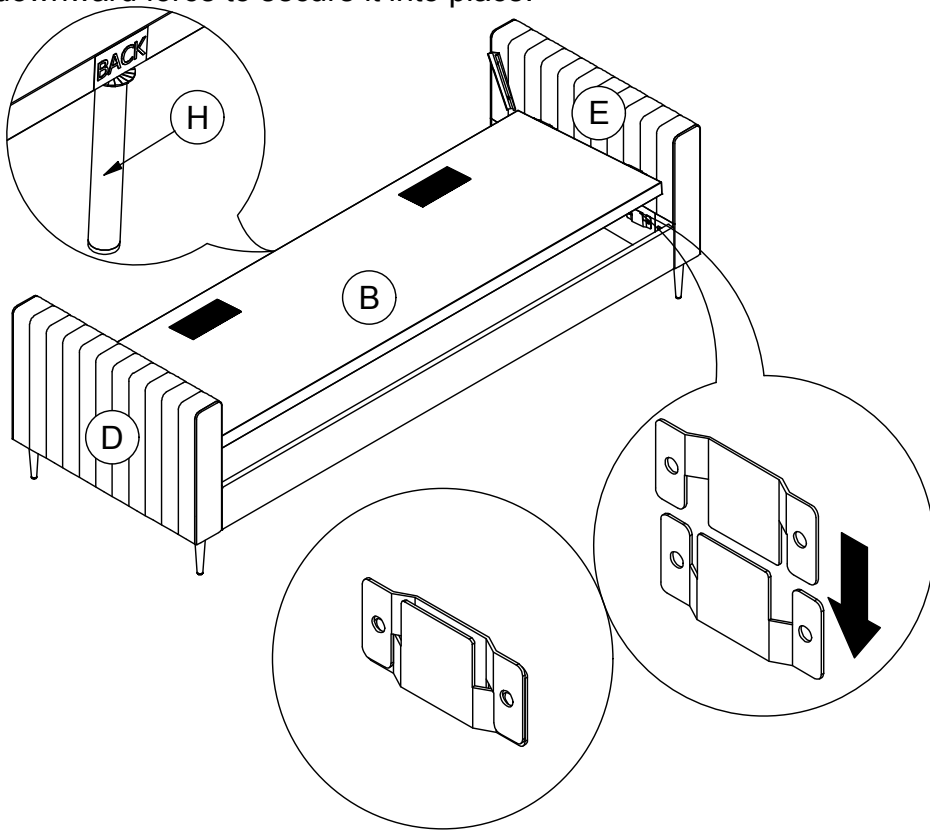
Manually screw **H** to **B**, as shown.

**⚠** Please remove the protective cap on the tip of thread before assembling.



**STEP 4:**

Attach **B** to **D** & **E** by inserting the metal brackets on **B** into the metal glides on **D** & **E**, as shown. Push **B** with a downward force to secure it into place.

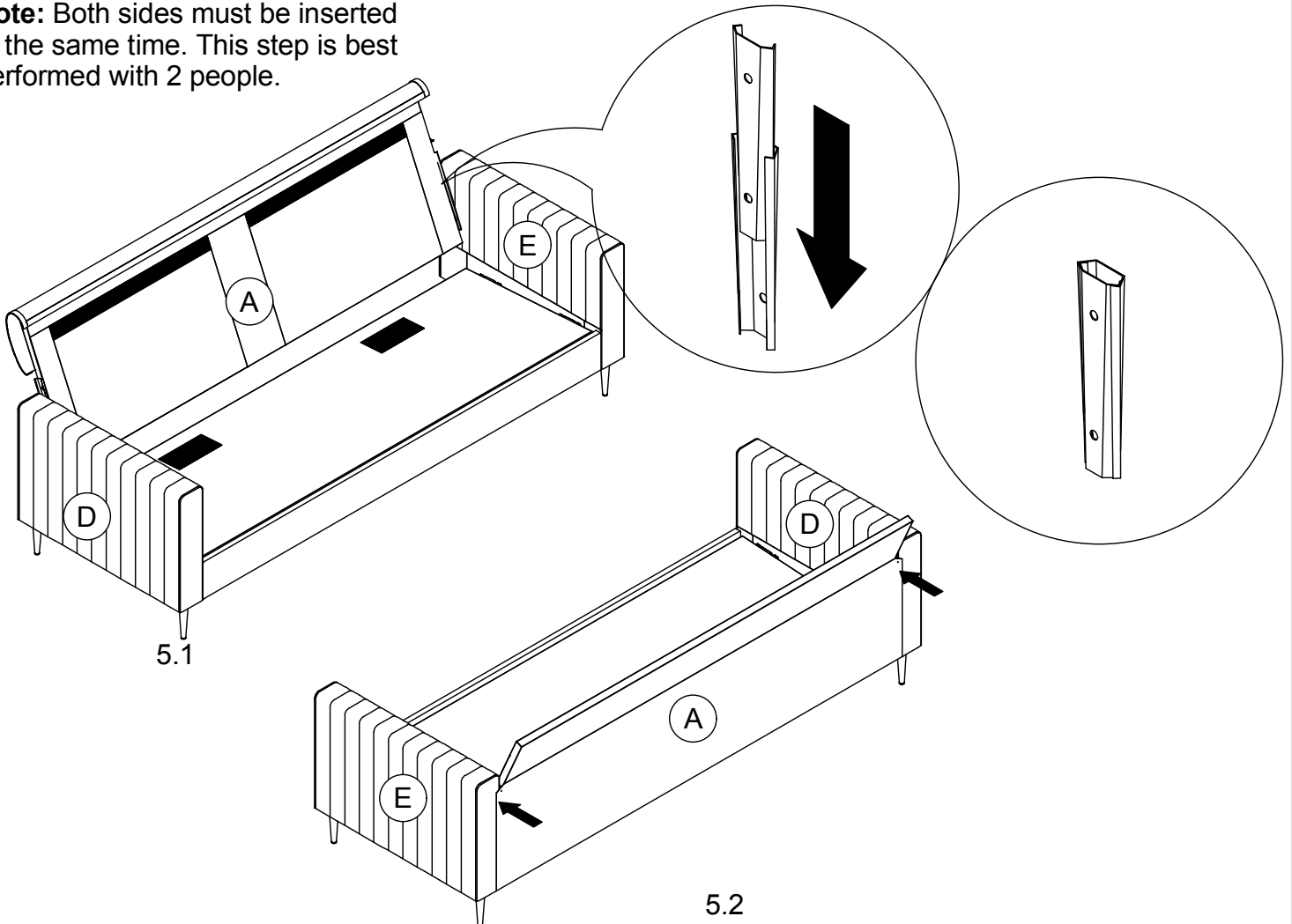


**STEP 5:**

5.1 Attach **A** to **D** & **E** by inserting the brackets on **A** into the metal glides on **D** & **E**. Push **A** with a downward force to secure it into place.

5.2 Secure the fabric flap on **A** to **D** & **E** using the Velcro strips.

**Note:** Both sides must be inserted at the same time. This step is best performed with 2 people.



**Step 6:**

Place **F** & **G** x 2 onto the sofa.

